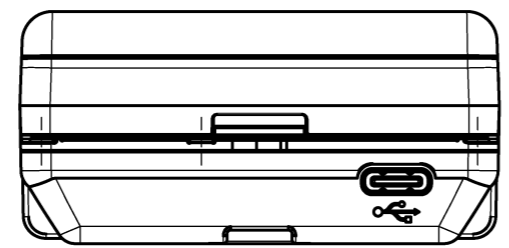
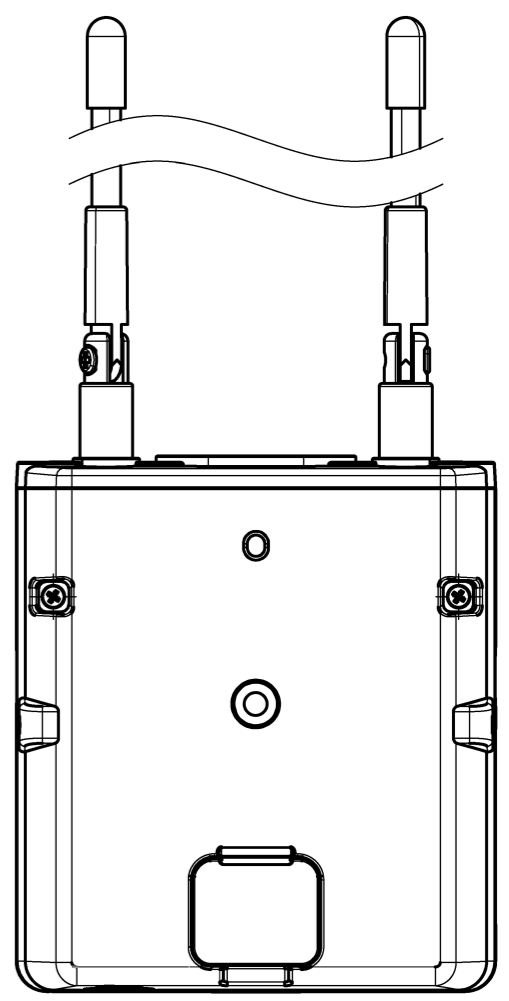
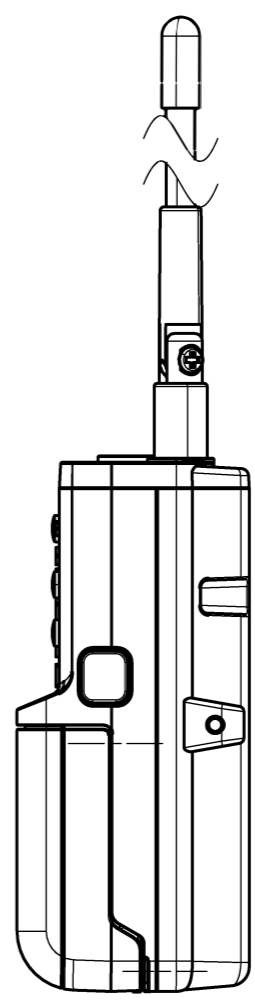
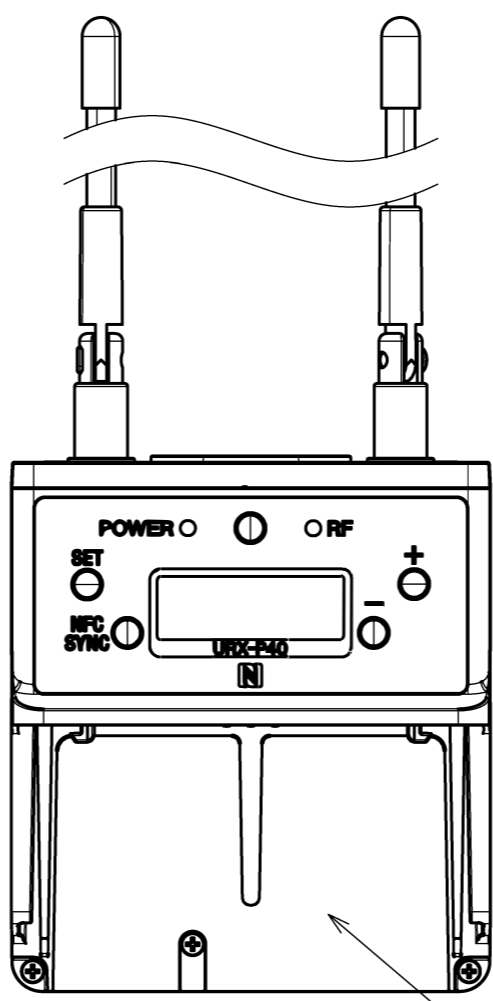
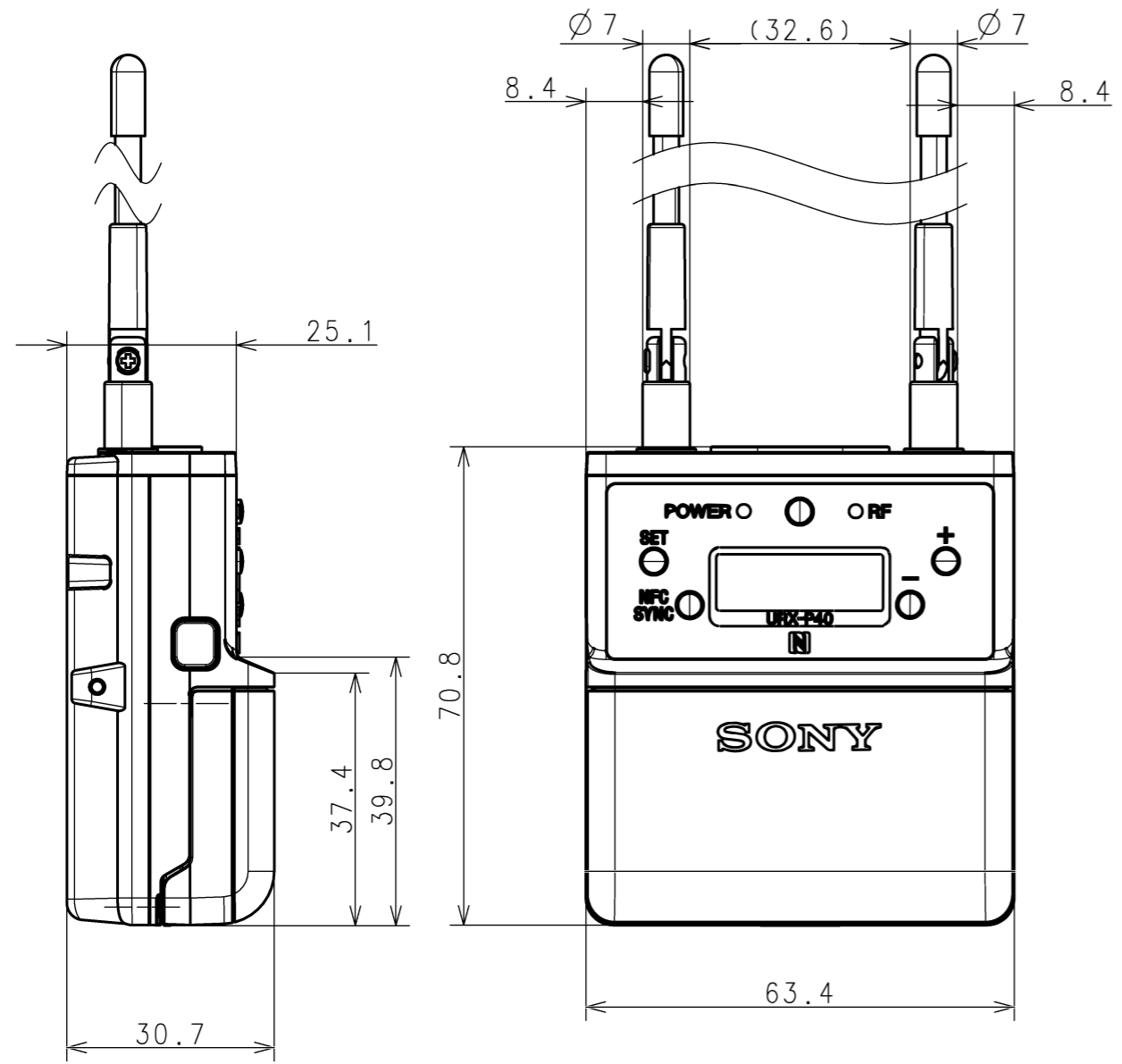
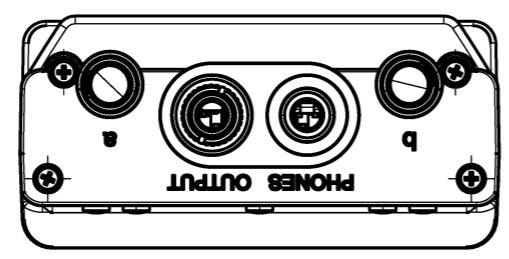


URX-P40 OUTLINE DRAWING



Name Label

DESCRIPTION(E)	LEGAL OWNER	SCALE
DESCRIPTION(J)	PART NO.	1:1
		SHEET/PAGES
		1 / 1