

Model: RC-S660/S

5-045-291-01

3.3 V  FRW-C0009

MIC/KS 総務省指定
第 AC-22045 号

FCC ID:AK8RCS660S

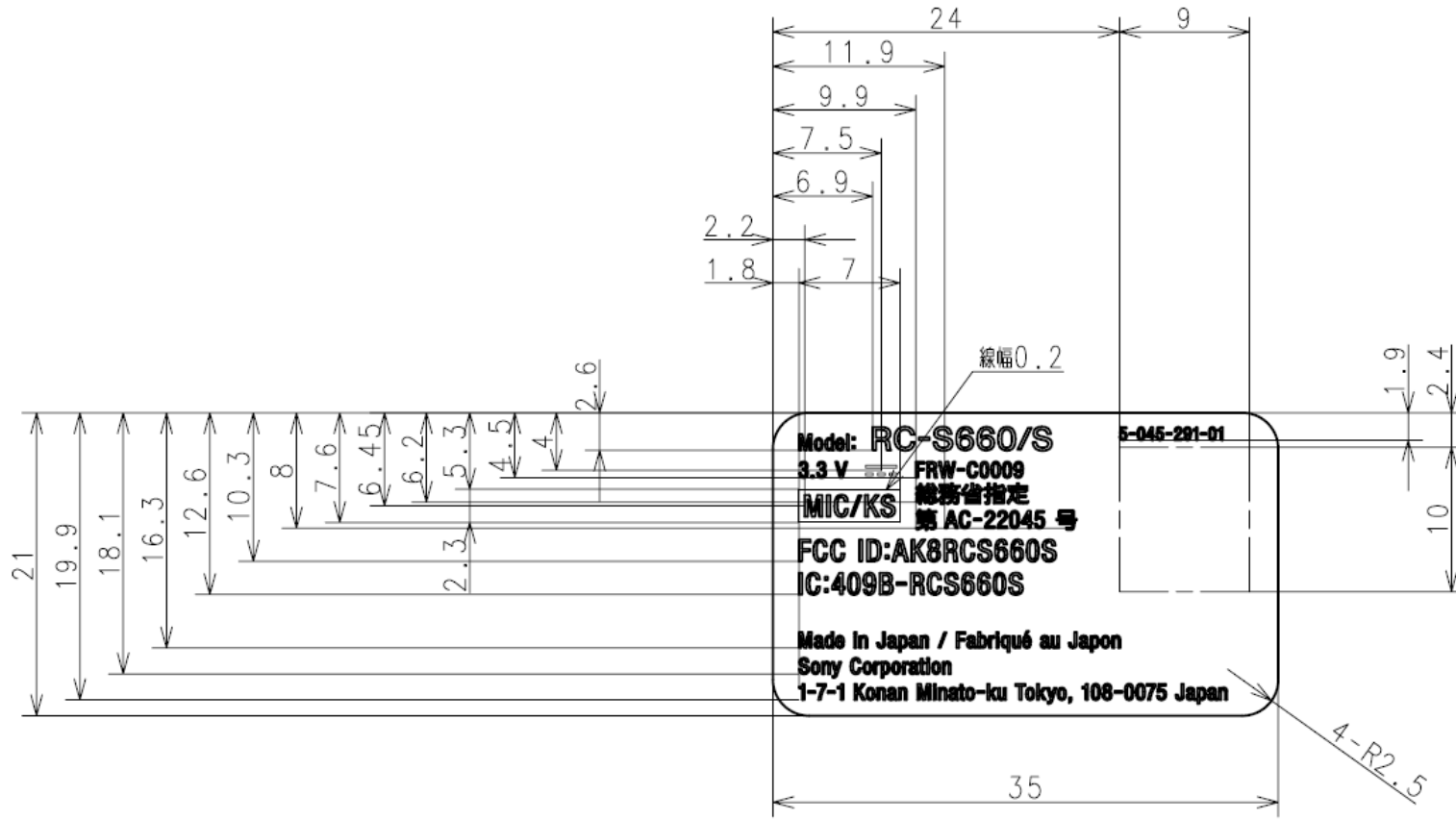
IC:409B-RCS660S

Made in Japan / Fabriqué au Japon

Sony Corporation

1-7-1 Konan Minato-ku Tokyo, 108-0075 Japan

Label-ID Instructions



Serial label

The following figures in this section show the module's external dimensions:

