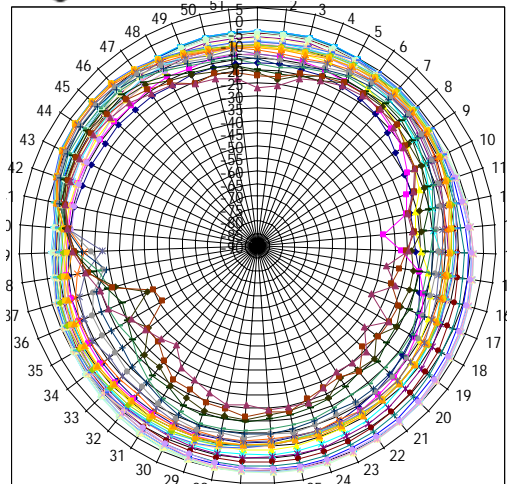
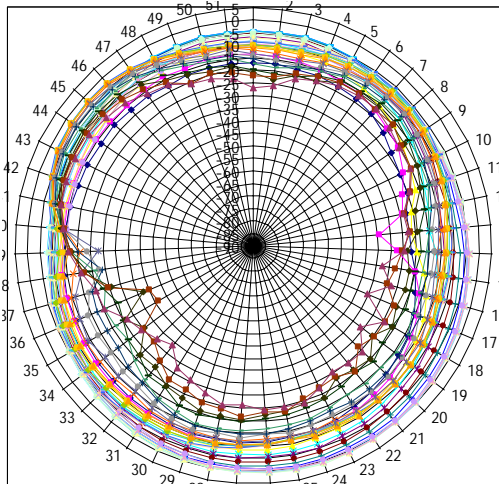
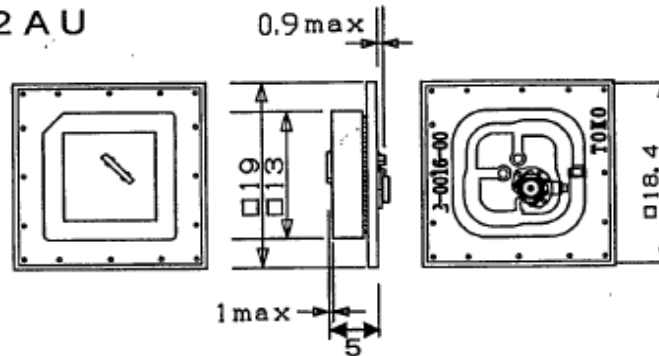


# Antenna description

- Manufacturer's name : TOKO
- Type : ASW52AU
- Usage : 5GHz Wireless LAN
- Structure : Circular polarization antenna with 90 degree hybrid feed circuit and 2 point feeding dielectric patch.
- Specification
  - Center frequency 5.2GHz
  - Impedance 50 ohm
  - Temperature range -20 to +85 deg Celsius
  - Storage temperature -40 to +90 deg Celsius
  - Weight 2.5 gram
  - Band width > 0.05 GHz
  - Polarization Circular polarization (right rotation)
  - Gain 4.0 dBi (5.2GHz)
  - FB ratio > 6 dB

ASW52AU



Radiation pattern

Left H-pol. Right V-pol.

