

SONY[®]

ONU INTEGRATED HIGH-SPEED ROUTER

Setup Guide

Owner's Record

The model and serial numbers are located in the Optical fiber cover.

Record the serial number in the space provided below.

Refer to these numbers whenever you call upon your Sony dealer regarding this product.

Model No. NSD-G300T

Serial No. _____

WARNING



Caution - Use of controls or adjustments or performance of procedures other than those specified herein may result in hazardous radiation exposure

Factory: Sernet(Suzhou) Technologies Corp.

No.13, Chunhui Road, Suzhou Industrial park, Jiangsu, China

Federal Communication Commission Interference Statement

This equipment has been tested and found to comply with the limits for a Class B digital device, pursuant to Part 15 of the FCC Rules. These limits are designed to provide reasonable protection against harmful interference in a residential installation. This equipment generates, uses and can radiate radio frequency energy and, if not installed and used in accordance with the instructions, may cause harmful interference to radio communications. However, there is no guarantee that interference will not occur in a particular installation. If this equipment does cause harmful interference to radio or television reception, which can be determined by turning the equipment off and on, the user is encouraged to try to correct the interference by one of the following measures:

- Reorient or relocate the receiving antenna.
- Increase the separation between the equipment and receiver.
- Connect the equipment into an outlet on a circuit different from that to which the receiver is connected.
- Consult the dealer or an experienced radio/TV technician for help.

FCC Caution: Any changes or modifications not expressly approved by the party responsible for compliance could void the user's authority to operate this equipment.

This device complies with Part 15 of the FCC Rules. Operation is subject to the following two conditions: (1) This device may not cause harmful interference, and (2) this device must accept any interference received, including interference that may cause undesired operation.

IMPORTANT NOTE:

Radiation Exposure Statement:

This equipment complies with FCC radiation exposure limits set forth for an uncontrolled environment. This equipment should be installed and operated with minimum distance 26 cm between the radiator & your body.

This transmitter must not be co-located or operating in conjunction with any other antenna or transmitter.

Country Code selection feature to be disabled for products marketed to the US/
CANADA

Operation of this device is restricted to indoor use only

Table of contents

Safety Information	5
Features	7
Checking the supplied items	8
Identifying parts	9
Attaching the bracket	12
Connecting the optical fiber cable installed in your house directly to this unit	14
Connecting a smartphone or computer to this unit	17
Changing the settings on this unit	19
Precautions	20
Q&A	21
Specifications	22
Trademarks	22

Safety Information

If any abnormalities occur such as smoke, unusual sound or smell, or deformation of the cabinet, immediately follow the instructions below.

- ① Unplug the AC adaptor/power cord.
- ② Consult your contractor for inspection and maintenance.

Caution

- Do not let water or foreign objects get into this unit. If water or foreign objects have gotten into this unit, unplug the AC adaptor/power cord.
- Do not disassemble this unit or make alterations to it. For inspection and maintenance, consult with your contractor.
- If there is a possibility of lightning strike, do not use this unit. If lightning is likely, unplug the AC adaptor/power cord to prevent a fire, electric shock, and malfunction.
- Wireless functions are incorporated into this unit. Note the following when you use this unit. Do not use the wireless functions of this unit when a failure occurs. In case of an emergency, immediately unplug the AC adaptor/power cord of this unit.
 - Do not use wireless functions on an airplane.
 - Do not use this unit near automatically-controlled equipment, such as automatic doors or fire alarms.
 - Stop using this unit immediately when there is radio interference on other devices while using this unit.

- Do not touch this unit or AC adaptor while this unit is turned on. If your skin remains in contact with it, it may cause low temperature burns.
- Do not use this unit while it is covered with cloth, comforter, etc.
- Insert the connector straight.
- Do not put other objects on this unit.
- If you apply a strong force to this unit, such as by putting a heavy object on it, dropping it, or stepping on it, it may cause injuries or a malfunction.
- Take care not to drop this unit when moving it.
- Do not look into the optical line input jack as the light from the jack may have a bad effect on your eyes.

On placement

- Do not place this unit in any places where there is excessive oily smoke, steam, moisture, or dust.
- Do not install this unit where it cannot be fixed stably, such as on the ceiling.
- Do not place this unit in an unstable place, such as on a wobbly table or tilted place, as this unit may drop or fall down, which may cause injuries. Use this unit set on a stable place.
- Do not place this unit where water splashes.
- Do not place/store this unit in a place exposed to direct sunlight or close to a heater.
- Do not bring your hand or object close to the ventilation holes.
- Place this unit out of reach from children.

On AC adaptor/power cord

- Do not use an AC adaptor other than the one supplied with this unit.
- The supplied AC adaptor is designed for use with this unit exclusively. It should not be used with other devices.
- Do not damage the power cord. Note the following.
 - Do not get the power cord tucked between this unit and a desk or wall.
 - Do not alter or damage the power cord.
 - Do not put a heavy object on the power cord or pull it forcibly.
 - Do not bring the power cord close to a heating appliance or heat up the power cord.
 - To unplug the power cord from the wall outlet, grasp the plug and pull it.
- Do not touch the AC adaptor/power cord with wet hands.
- Do not wrap the power cord around the AC adaptor. It may cause the cord to break.
- Before cleaning this unit, unplug the AC adaptor/power cord.
- Before moving this unit, unplug the AC adaptor/power cord.
- If this unit is not to be used for a long time, unplug the AC adaptor/power cord.

Features

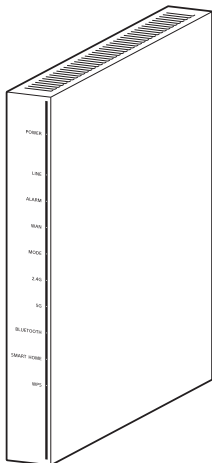
This unit is a wireless LAN router which is compatible with the XGS-PON method. By connecting the usable device to the wired or wireless LAN, you can use the high-speed Internet service.

When you join the dedicated IoT service, this unit works together with IoT devices and the service. To use an IoT device, you need the dedicated hardware and software which is provided by the service provider. For details, consult with your service provider.

Checking the supplied items

Check that all the following items are included in the package.
If there is any missing item, consult with your service provider.

- **NSD-G3000T main unit**



- **Bracket fixing screws (2)**

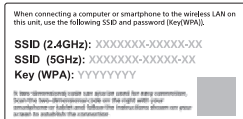


- **LAN cable**



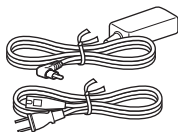
- **SSID label (for preservation)**

Contents are identical to those on the SSID label pasted on the bottom of this unit.

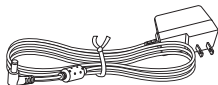


- **AC adaptor/power cord**

Either type is included, (A) or (B).
(A) AC adaptor and power cord



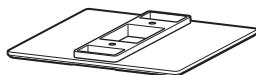
(B) AC adaptor



- **Spare label (for installation personnel)**

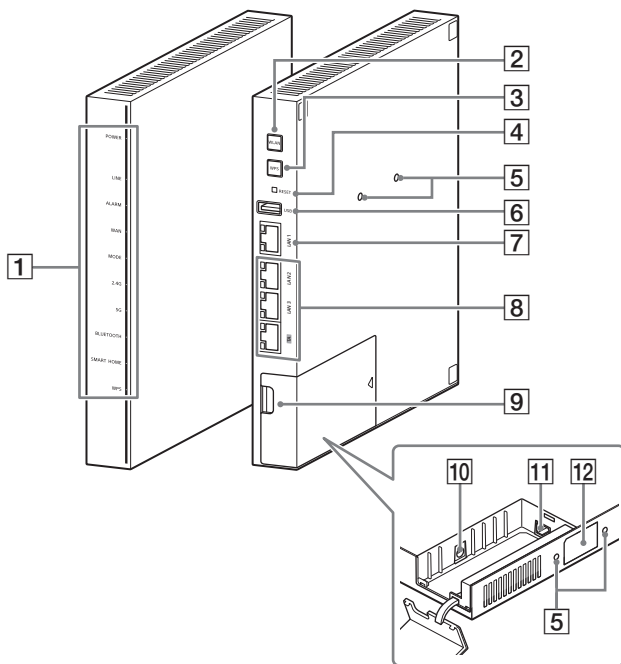


- **Bracket**



- **Setup Guide (this document)**

Identifying parts



- 1 System status indicators
- 2 WLAN button
- 3 WPS button
- 4 RESET button
- 5 Bracket fixing holes
- 6 USB 2.0 terminal
- 7 LAN terminals (compatible with 10GBASE-T) and status indicators
- 8 LAN terminals (compatible with 1000BASE-T) and status indicators
- 9 Optical fiber cover
- 10 DC IN jack
- 11 Optical line input jack
- 12 SSID label

System status indicators

Indicators	Color and state of indicators	Unit status
POWER	Lights up in green	Power is supplied to this unit.
LINE	Flashes in green	This unit is authenticating the XGS-PON connection.
	Lights up in green	XGS-PON connection is established.
ALARM	Lights up in red	The optical fiber cable is not connected.
WAN	Lights up in green	This unit is connected to the Internet using the IP address.
MODE	Lights up in green	This unit is working in the XGS-PON mode.
2.4G	Lights up in green	Wireless LAN of 2.4 GHz band is enabled.
5G	Lights up in green	Wireless LAN of 5 GHz band is enabled.
BLUETOOTH	Lights up in green	Bluetooth® is enabled.
SMART HOME	Lights up or flashes in green	The smart home function is working.
WPS	Flashes in red	Pairing is in process.
	Lights up in red	Authentication succeeded.

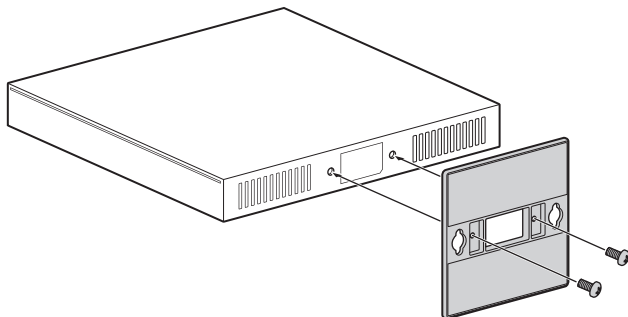
Status indicators of LAN terminals

LAN terminals	Color and state of indicators	Unit status
LAN 1	Lights up in orange	Linked up in 100BASE-TX/ 1000BASE-T/2.5GBASE-T/ 5GBASE-T
	Flashes in orange	Communicating in 100BASE-TX/1000BASE-T/ 2.5GBASE-T/5GBASE-T
	Lights up in green	Linked up in 10GBASE-T
	Flashes in green	Communicating in 10GBASE-T
TA/LAN 3/LAN 2	Lights up in orange	Linked up in 10BASE-T/ 100BASE-TX
	Flashes in orange	Communicating in 10BASE-T/ 100BASE-TX
	Lights up in green	Linked up in 1000BASE-T
	Flashes in green	Communicating in 1000BASE-T

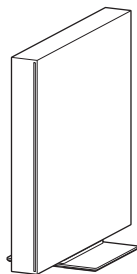
Attaching the bracket

Attach the supplied bracket to this unit and use this unit in the upright position.

- 1 With the bracket fixing screws, attach the bracket to the bottom of this unit.



When the bracket is attached correctly, this unit stands as shown below.

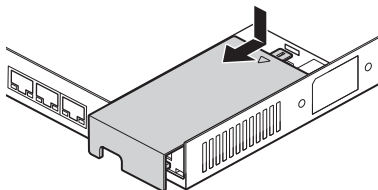


Tip

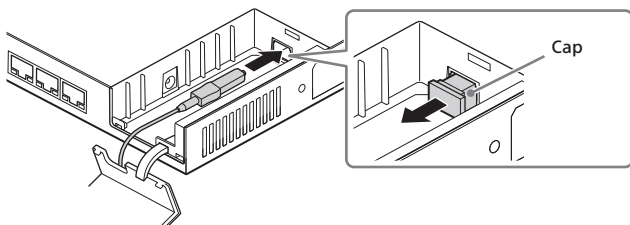
This unit can be installed on the wall using the bracket fixing holes on the side of this unit. For details on wall installation, consult with an installation professional.

Connecting the optical fiber cable installed in your house directly to this unit

- 1 Open the optical fiber cover.



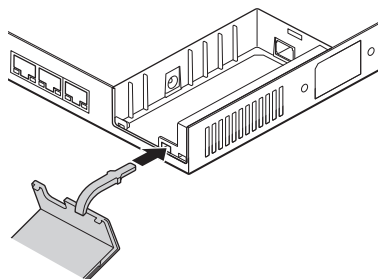
- 2 Connect the optical fiber cable to the optical line input jack.
Before connecting, remove the cap attached to the optical line input jack.



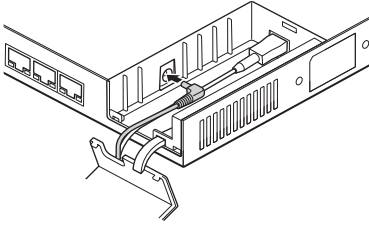
Be careful not to contaminate the end face of the optical fiber cable. If it gets dirty or scratched, the connection may not be established correctly.

When the optical fiber cover is detached

Push in the stoppers of the cover to the hole to attach the cover.

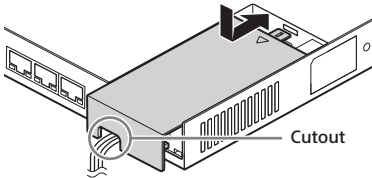


- 3** Connect the supplied AC adaptor to the DC IN jack.

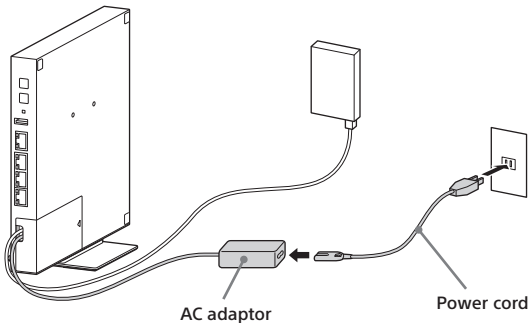


- 4** Close the optical fiber cover.

Run the optical fiber cable and the AC adaptor cord through the cutout and close the cover.



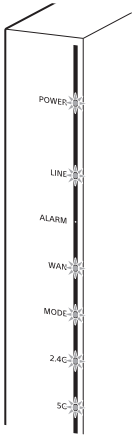
- 5** Connect the power cord to the AC adaptor and connect the power plug to the wall outlet.



Note

The type of the supplied AC adaptor may be different from the one shown in the illustration.

- 6** Wait for about 2 minutes, and check the system status indicators are as shown below.



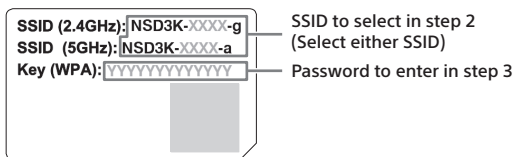
Indicators	Color and state of indicators
POWER	Lights up in green
LINE	Lights up in green
ALARM	Lights off
WAN	Lights up in green
MODE	Lights up in green
2.4G	Lights up in green
5G	Lights up in green

Connecting a smartphone or computer to this unit

Connecting via wireless LAN

Connect your smartphone or computer to this unit. For details on the connection, refer to the operating instructions of your device as well.

- 1** Set the wireless LAN setting to ON on your smartphone or computer.
- 2** On the network list screen, select the SSID of this unit (NSD3K-XXXX-X). Find the SSID on the SSID label pasted on the bottom of this unit or supplied with this unit.
- 3** When the password input screen is displayed, enter the 13-digit password (Key (WPA)) of this unit. Find the password (Key (WPA)) on the SSID label pasted on the bottom of this unit or supplied with this unit.



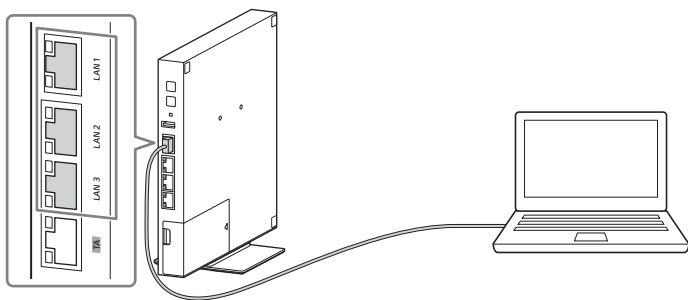
Connecting by scanning the two-dimensional code

On a smartphone or tablet, a two-dimensional code can also be used for easy connection.

Scan the two-dimensional code on the label pasted on the bottom of this unit or supplied with this unit, and follow the instructions shown on your screen to establish the connection.

Connecting to a computer via wired LAN

- 1 Connect the supplied LAN cable to the LAN terminals on this unit and on the computer.



Tip

When you use the LAN 1 terminal, communication is established with the highest communication speed of this unit.

Note

Do not connect a computer to the TA terminal. This terminal is exclusively designed to connect the device that is provided from the service provider. For details, consult with your service provider.

Changing the settings on this unit

To change the various settings on this unit, log in to this unit by the method described below.

- 1** Connect your smartphone or computer to this unit (page 17).
For details on the connection, refer to the operating instructions of your device as well.
- 2** Launch the browser on the connected smartphone or computer.
- 3** Access the URL shown below, and enter the user name and the password.

URL	http://192.168.1.1
User name	admin
Password	WPA key shown on the SSID label

Precautions

For the proper and safe usage of this unit, read this section carefully before using this unit.

- Do not connect this unit to a power extension cord that has many other devices connected.
- To reduce the risk of electric shock or other dangers, keep the AC power plug clean and dry.
- This unit is designed for desktop installation or wall mounting. When this unit is installed on the desktop, do not put other objects on this unit. Doing so may damage this unit due to heat buildup or deformation of the exterior. Allow space of 5 cm (2 in.) or more around this unit for heat dissipation.
- Do not scratch the exterior of this unit as the coating may come off.
- Do not install this unit near electronic devices which generate strong magnetic fields such as a microwave oven, refrigerator, mobile phone, etc.
- Use this unit within the temperature range described under "Operating environment" of "Specifications."
- Stop using this unit when the cable is damaged or deteriorated.
- Use a dry cloth to wipe off dust or dirt on this unit. Before cleaning, disconnect all the cables such as the AC adaptor/power cord or LAN cables.
- Do not use cleaning liquid or spray cleaner to clean this unit.
- Using this unit near a TV set or a radio receiver may affect the reception.
- When disposing of the packing material or disused unit, follow the rules of your residential area.

Note on the wireless LAN

Sony cannot assume any responsibility for any damage or loss caused by unauthorized access to or use of the connection destination installed in this unit due to loss or theft of this unit.

On security when using wireless LAN products

- To avoid hacking, access from a malicious third party, or other vulnerabilities, always confirm that a secure wireless LAN is used.
- Security settings are highly important on wireless LAN.
- When security problems happen due to negligence of security measures or due to unavoidable circumstances in using the wireless LAN, Sony cannot assume any responsibility for any damage consequently caused.

Q&A

If you have difficulties in using this unit or this unit stops working, try the following solutions before making inquiries. When this unit still does not function properly, consult with your contractor.

The POWER indicator does not light up even after the AC adaptor is connected.

- Check if all the cables are connected correctly.
- Power is not delivered to this unit. Check if the supplied AC adaptor is connected correctly.

You want to reset this unit to the default settings.

Using an object with a fine point, press the RESET button for 5 seconds or more to reset this unit. All the settings will be reset to the default settings.

This unit was restarted at night time.

Software of this unit may be updated to the latest version by the automatic system update function. After this unit is restarted, when the system status indicators are normal, you can use this unit as is.

After this unit is turned on, the ALARM indicator lights up in red.

This unit is malfunctioning. Press the RESET button for 5 seconds or more to reset this unit and check the indicator. If the same situation persists, consult with your contractor for replacement of this unit.

After this unit is turned on, the LINE indicator does not light up.

XGS-PON is not connected. Check if the POWER indicator lights up in green. If the POWER indicator lights up but the LINE indicator does not light up, consult with your contractor to check the connection. The LINE indicator always lights up when the line authentication is successful.

After this unit is turned on, the status indicator of a LAN terminal does not light up.

Internet connection is not available on the corresponding LAN terminal. Check if the device connected to the LAN terminal is turned on and the LAN cable is connected to the LAN terminal.

Specifications

Dimensions

Approx. 200 mm × 200 mm × 25 mm
(7 ⁷/₈ in. × 7 ⁷/₈ in. × 1 in.)
(h×w×d, main unit only, not including
projecting parts)

Mass

Approx. 790 g (1 ³/₄ lb) (main unit
only)

Maximum power consumption

30 W

Rated current/voltage

DC: 12 V/2.5 A
AC: 100 V - 240 V

Operating environment

Temperature: 0 °C - 40 °C (32 °F - 104
°F)
Humidity: 0% - 80%

Wired LAN

10GBASE-T (1)
1000BASE-T (3)
Auto-nego, MDI/MDI-X

Wireless LAN

IEEE 802.11ax/ac/a/b/g/n 4x4 MIMO

Interface for IoT devices

Bluetooth® Standard Ver.4.2

Design and specifications are subject
to change without notice.

Trademarks

- The Bluetooth® word mark and logos are registered trademarks owned by Bluetooth SIG, Inc. and any use of such marks by Sony Group Corporation and its subsidiaries is under license.
- All other trademarks and registered trademarks are trademarks or registered trademarks of their respective holders.

F-175-100-11(2)

© 2023 Sony Network Communications Inc.
Printed in China

