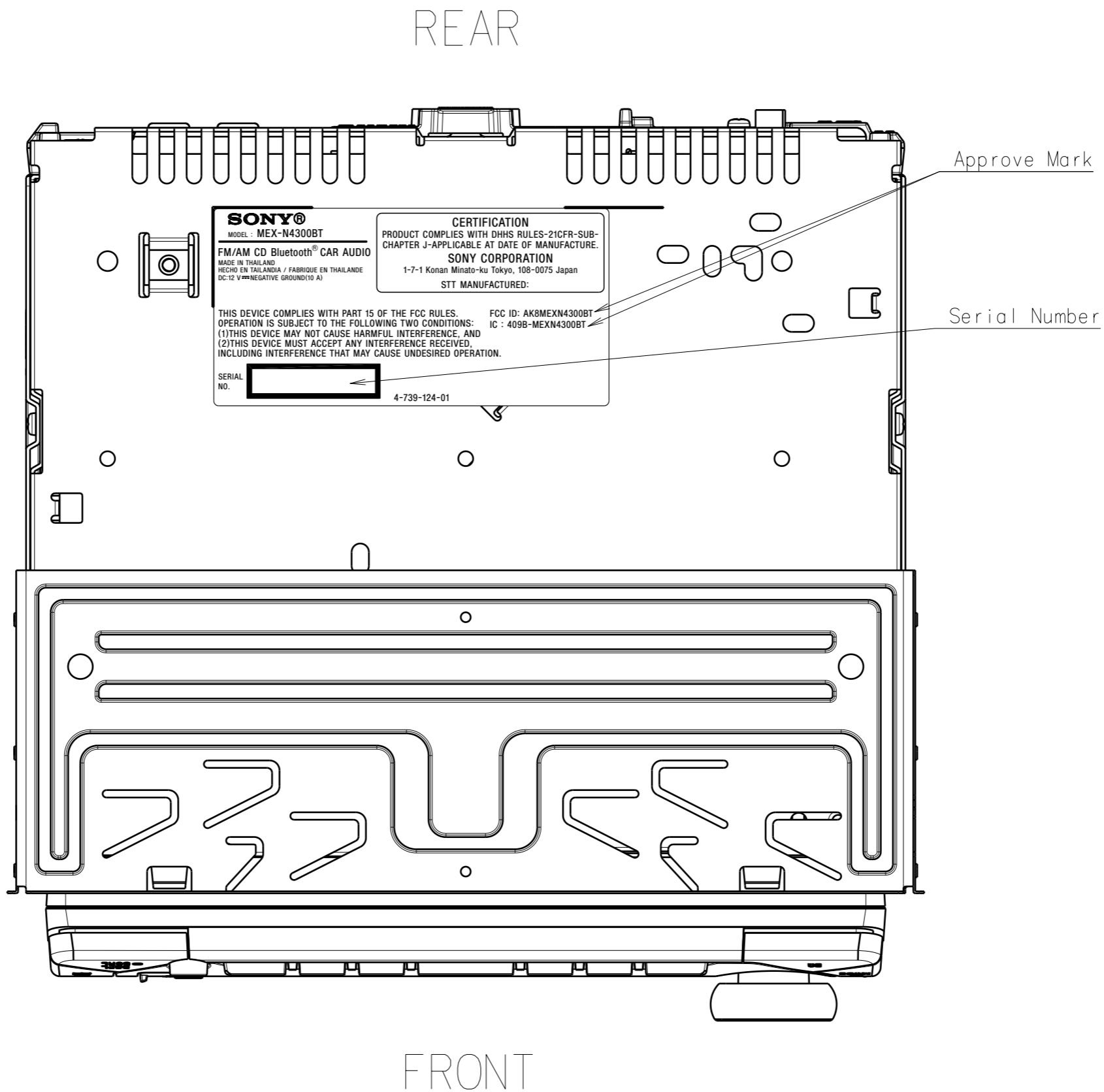


PLACEMENT OF APPROVAL MARK AND SERIAL NUMBER MODEL : MEX-N4300BT//Q(UC)

Type Approval mark label and serial number is to be printed are on the same plate label affixed to bottom of main unit



PLACEMENT OF APPROVAL MARK AND SERIAL NUMBER MODEL : MEX-N4380BT//Q(UC)

Type Approval mark label and serial number is to be printed are on the same plate label affixed to bottom of main unit

