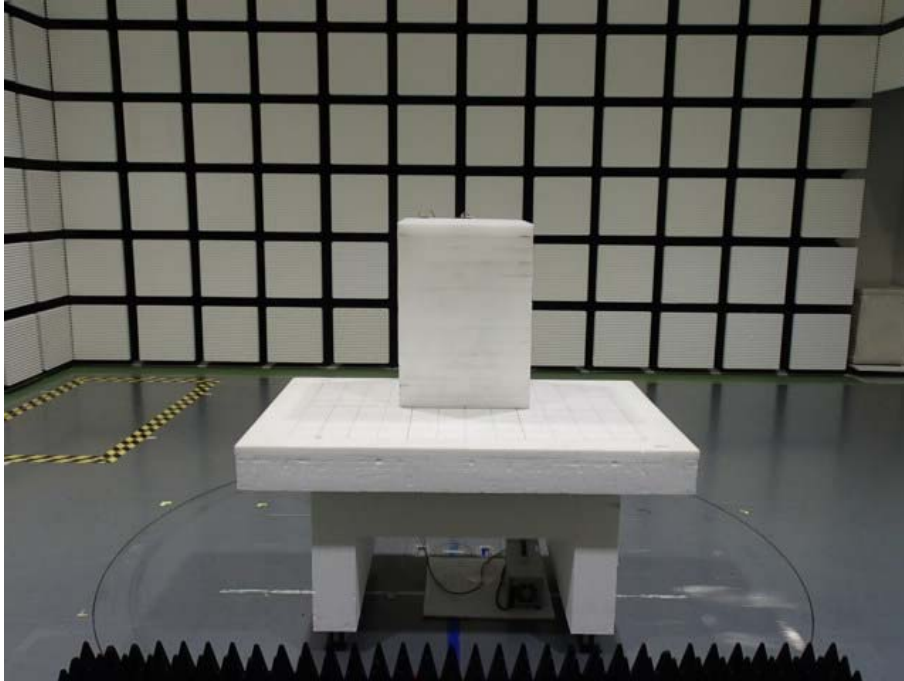


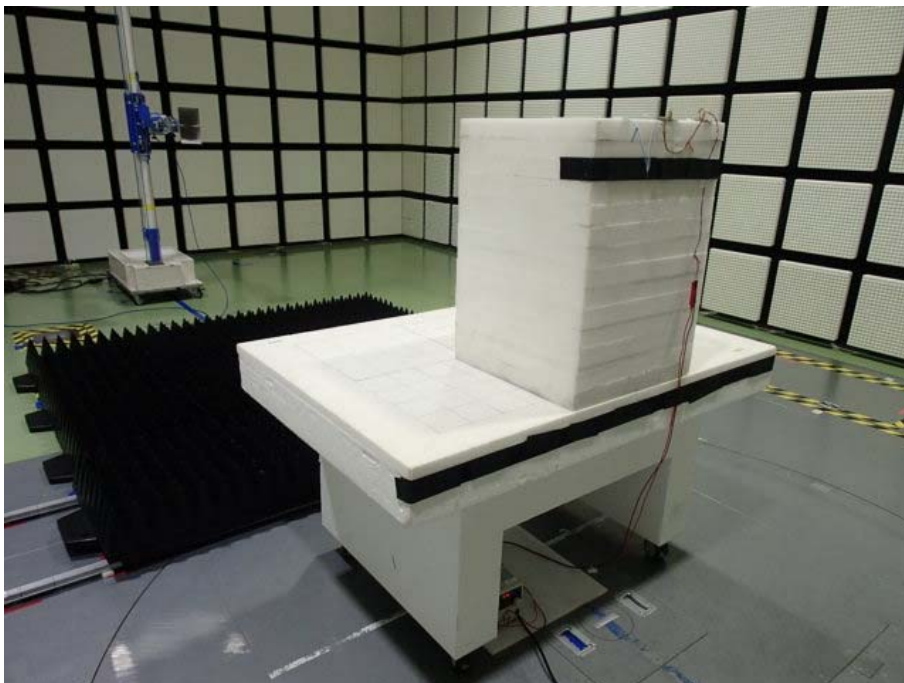
---

**APPENDIX 3: Photographs of Test Setup**

**Radiated Spurious Emission**  
**(BT1 / BT2)**



**Photo 1**

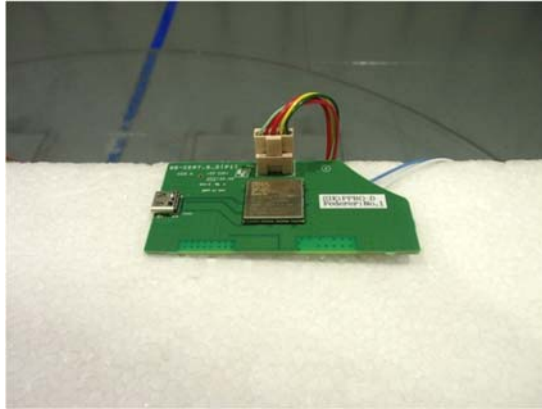


**Photo 2**

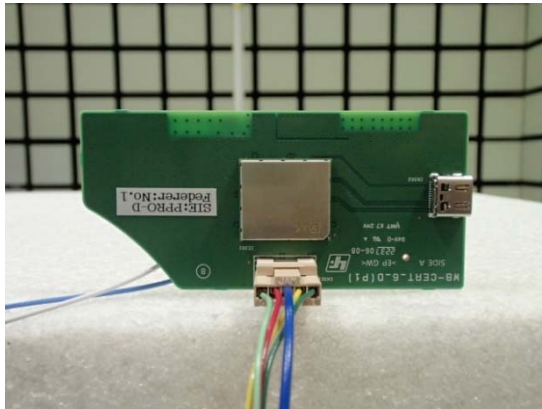
**Worst Case Position**

	Below 1 GHz	Above 1 GHz
BT1	Horizontal: X-axis / Vertical: X-axis	Horizontal: X-axis / Vertical: Y-axis
BT2	Horizontal: X-axis / Vertical: X-axis	Horizontal: X-axis / Vertical: Y-axis

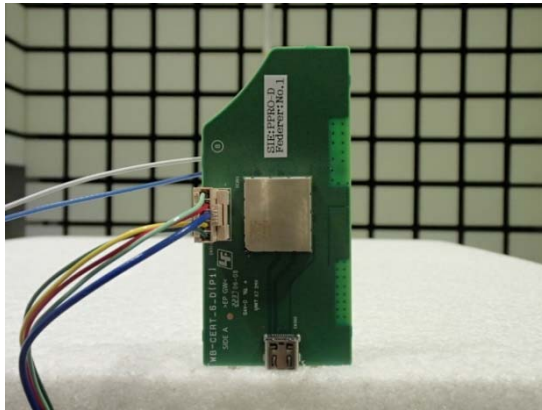
**X-axis**



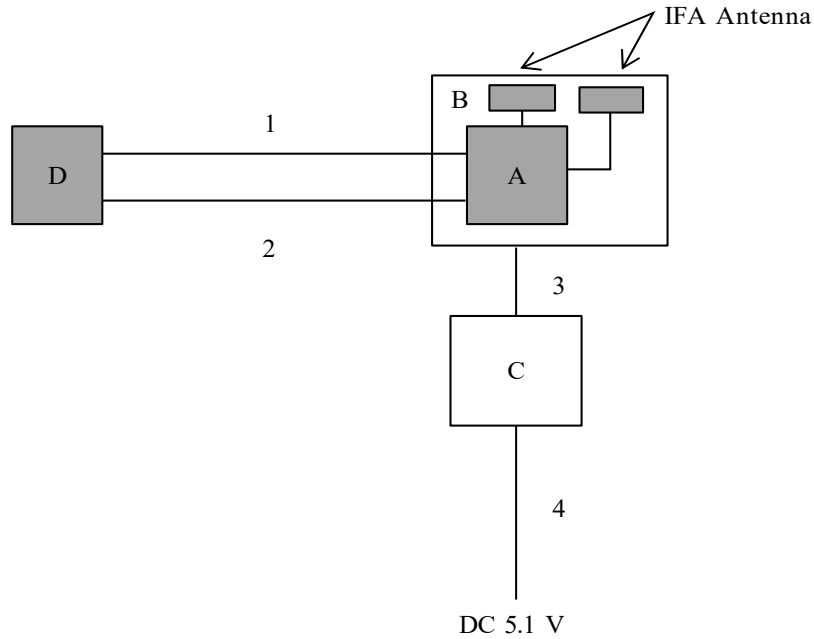
**Y-axis**



**Z-axis**



### Test Configuration and peripherals



\* Cabling and setup(s) were taken into consideration and test data was taken under worse case conditions.

#### Description of EUT and Support Equipment

No.	Item	Model number	Serial Number	Manufacturer	Remarks
A	Wireless communication module	J20H104	Federer:No.1	Foxconn	EUT
B	Jig Board	WB-CERT-6-D(P1)	Federer:No.1	Sony Interactive Entertainment Inc.	Antenna 3 and 4
C	Jig Board	WLAN_JIG_Power_B	P-JIG No.1	Sony Interactive Entertainment Inc.	-
D	PIFA Antenna	L34RF078	221114A01W	LUXSHARE-ICT	EUT Antenna 1 and 2

#### List of Cables Used

No.	Name	Length (m)	Shield		Remarks
			Cable	Connector	
1	Antenna Cable	0.3	Shielded	Shielded	-
2	Antenna Cable	0.3	Shielded	Shielded	-
3	DC Cable	0.4	Unshielded	Unshielded	-
4	DC Cable	2.5	Unshielded	Unshielded	-

**End of Report**