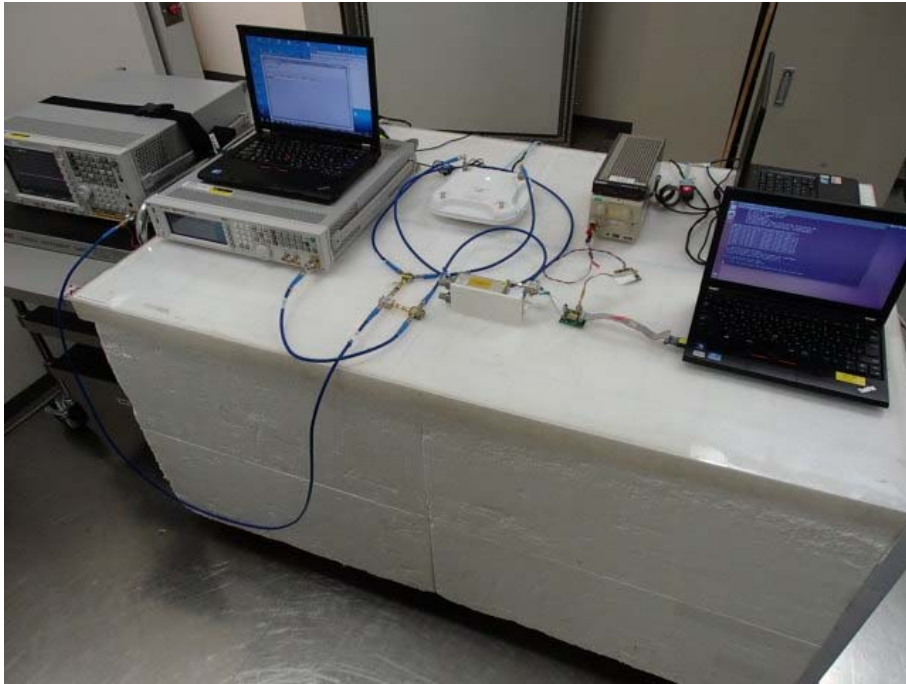
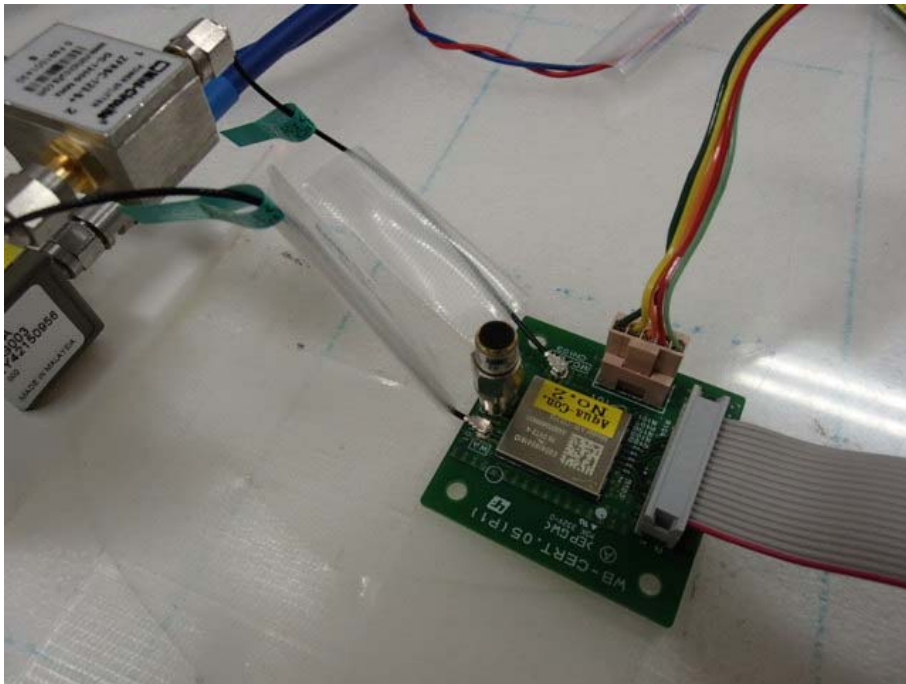


**APPENDIX 2: Photographs of test setup**



**Photo 1**



**Photo 2**

---

**UL Japan, Inc.**

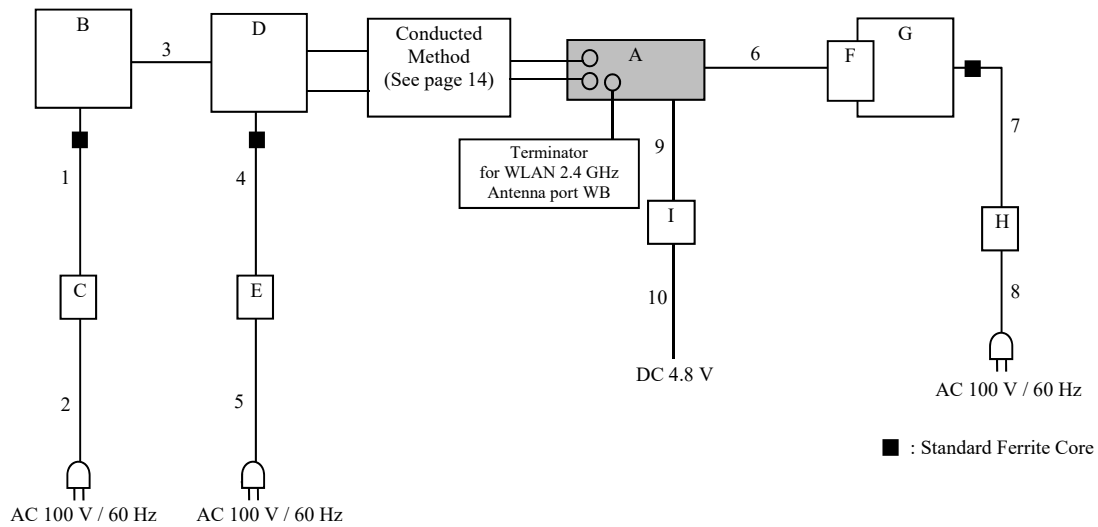
**Ise EMC Lab.**

4383-326 Asama-cho, Ise-shi, Mie-ken 516-0021 JAPAN

Telephone : +81 596 24 8999

Facsimile : +81 596 24 8124

### Test Configuration and peripherals



\* Cabling and setup(s) were taken into consideration and test data was taken under worse case conditions.

#### Description of EUT and Support equipment

No.	Item	Model number	Serial number	Manufacturer	Remark
A	Wireless communication module	AW-CB319	2	Sony Interactive Entertainment	EUT
B	Laptop PC	VF-7	99023031A	NEC	-
C	AC Adapter	PA-1750-07	9518834LB	NEC	-
D	WLAN access point	AIR-CAP3702E-A-K9	FTX182276QC	Cisco Systems	-
E	AC Adapter	AA25480L	ALD030406GR	Cisco Systems	-
F	SDIO Connector	-	No.3	Marvell	-
G	Laptop PC	X230	R9-X86PD	Lenovo	-
H	AC Adapter	ADLX65NLT2A	11S36200291ZZ20031GDA2	Lenovo	-
I	Power supply jig	Opro-P-JIG	No.3	-	-

#### List of cables used

No.	Name	Length (m)	Shield		Remark
			Cable	Connector	
1	DC Cable	1.80	Shielded	Shielded	-
2	AC Cable	1.80	Unshielded	Unshielded	-
3	LAN Cable	3.00	Unshielded	Unshielded	-
4	DC Cable	1.90	Shielded	Shielded	-
5	AC Cable	2.10	Unshielded	Unshielded	-
6	Signal Cable	0.15	Unshielded	Unshielded	-
7	DC Cable	1.80	Shielded	Shielded	-
8	AC Cable	1.00	Unshielded	Unshielded	-
9	Signal Cable	0.20	Unshielded	Unshielded	-
10	DC Cable	0.40	Unshielded	Unshielded	-

End of Report

UL Japan, Inc.

Ise EMC Lab.

4383-326 Asama-cho, Ise-shi, Mie-ken 516-0021 JAPAN

Telephone : +81 596 24 8999

Facsimile : +81 596 24 8124