

APPENDIX 2: Photographs of test setup

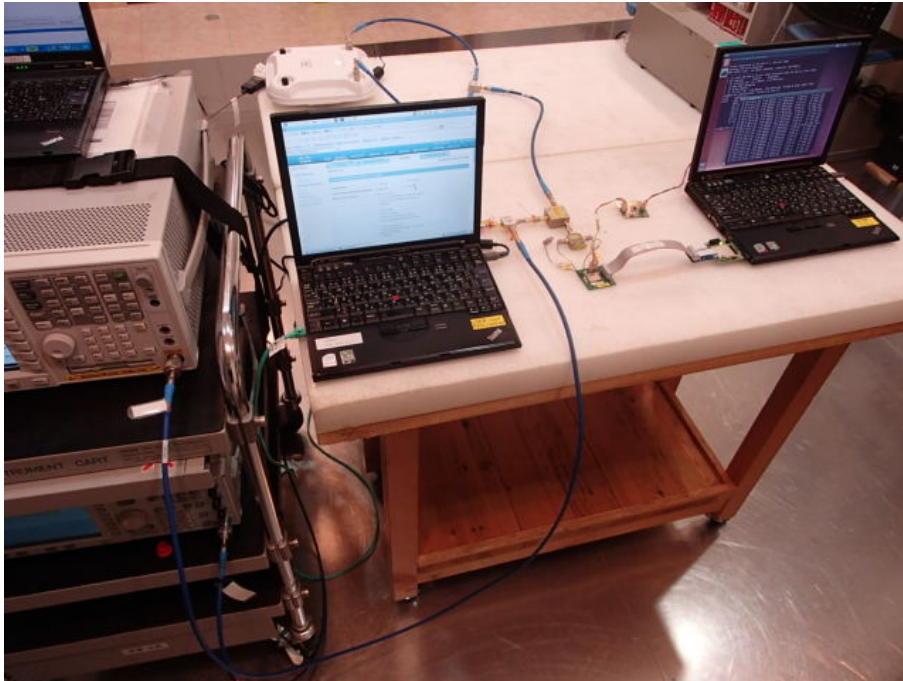


Photo 1

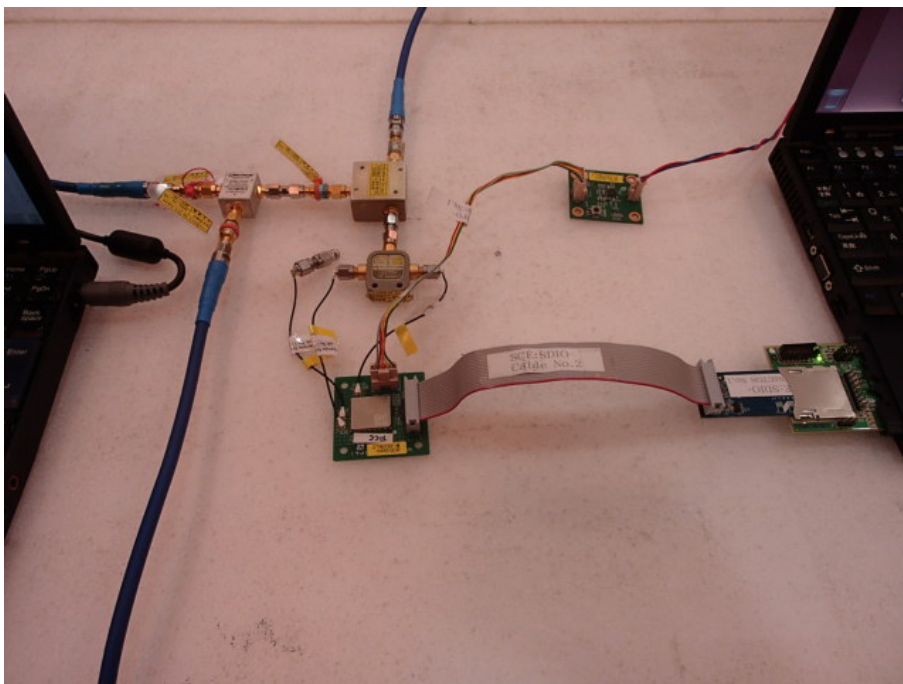


Photo 2

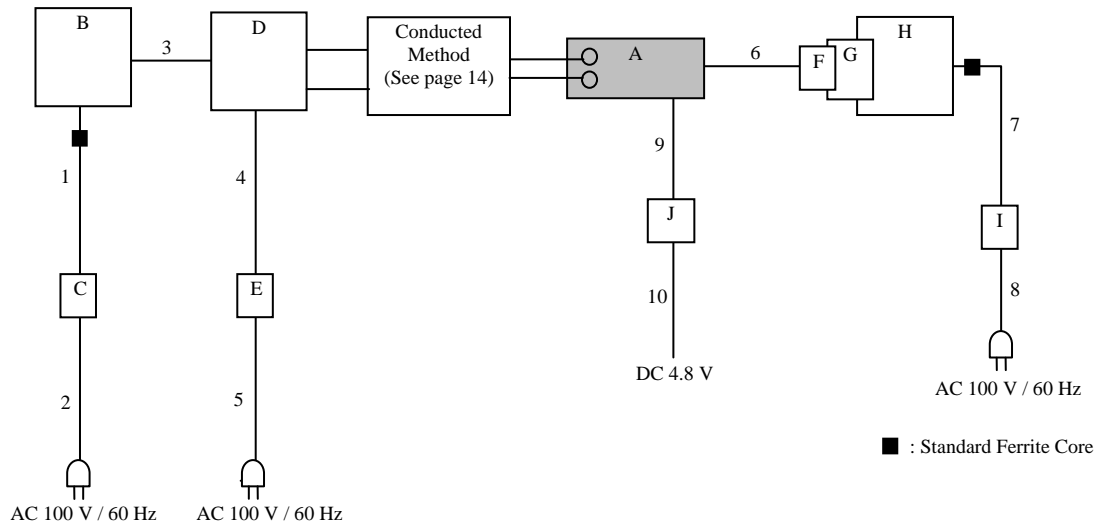
UL Japan, Inc.
Ise EMC Lab.

4383-326 Asama-cho, Ise-shi, Mie-ken 516-0021 JAPAN

Telephone : +81 596 24 8999

Facsimile : +81 596 24 8124

Test Configuration and peripherals



* Cabling and setup(s) were taken into consideration and test data was taken under worse case conditions.

Description of EUT and Support equipment

No.	Item	Model number	Serial number	Manufacturer	Remark
A	Wireless communication module	J20H091	2	Sony Interactive Entertainment	EUT
B	Laptop PC	7673-D37	LV-R3VX0	Lenovo	-
C	AC Adapter	ADLX65NLT2A	11S36200291ZZ20031GDA1	Lenovo	-
D	WLAN access point	WAPM-1166D	20222641113022	Buffalo Inc.	-
E	AC Adapter	DA-48P12	Z038CYG72314O28001607600	Buffalo Inc.	-
F	SDIO Connector	-	No.1	MARVELL	-
G	SDIO Adapter	-	No.3	MARVELL	-
H	Laptop PC	X615	LV-B1B4R	Lenovo	-
I	AC Adapter	ADLX65NLT2A	11S36200291ZZ20031GDA2	Lenovo	-
J	Power supply jig	Opro-P-JIG	No.1	-	-

List of cables used

No.	Name	Length (m)	Shield		Remark
			Cable	Connector	
1	DC Cable	1.80	Shielded	Shielded	-
2	AC Cable	1.00	Unshielded	Unshielded	-
3	LAN Cable	3.00	Unshielded	Unshielded	-
4	DC Cable	1.50	Shielded	Shielded	-
5	AC Cable	2.00	Unshielded	Unshielded	-
6	Signal Cable	0.15	Unshielded	Unshielded	-
7	DC Cable	1.80	Shielded	Shielded	-
8	AC Cable	1.00	Unshielded	Unshielded	-
9	Signal Cable	0.25	Unshielded	Unshielded	-
10	DC Cable	0.50	Unshielded	Unshielded	-

End of Report

UL Japan, Inc.
Ise EMC Lab.

4383-326 Asama-cho, Ise-shi, Mie-ken 516-0021 JAPAN
Telephone : +81 596 24 8999
Facsimile : +81 596 24 8124