



Fax: 408-526-1088

775 Montague Expressway
Milpitas, CA 95035
Tel: 408-526-1188
Email:
sales.eaw@us.bureauveritas.com

FCC CLASS II PERMISSIVE CHANGE REQUEST LETTER

Reason for Amendment (current / obsolete)	Revision History		Approved Date
	From	To	
Initial Release (obsolete)	1.0	1.0	Feb-20-2012
Update company logo (current)	1.0	2.0	Jul-29-2019

Sony Group Corporation

FCC Class II Permissive Change Request Letter

Date: 2021.9.14

To FCC:

RE: FCC Permissive II Change Request for Company: Sony Group Corporation
FCC ID: AK8LSPXS3

We are submitting an application for a class II permissive change to the FCC approval of the Company name: Sony Group Corporation, product description: Glass Sound Speaker (FCC: AK8LSPXS3, Original Grant Date: 03/25/2021). The transmitter module itself has not changed. Here are the changes:

1. Changed the battery pack: the old battery pack is DC 7.34V from Li-ion Battery, the new battery pack: DC 7.6V from Li-ion Battery;
2. Changed the PCBA board as below;

Components	change points	old	New
Main board	R967	NC	0Ω 1/16W +/-5% 0402
Main board	R17	4.7K 1/16W +/-5% 0402	NC
Main board	R13	NC	10K 1/16W +/-5% 0402
Main board	R1287	10K 1/16W +/-5% 0402	NC
Main board	R1289	NC	10K 1/16W +/-5% 0402
Main board	U302	SY8120IABC SOT23-6 DC-DC	SY8120B1ABC SOT23-6 DC-DC
Power Amplifier board	D13	10A 45V SVM1045V TO-227	45V 10.0A PS1045L PS-277B

Sincerely,

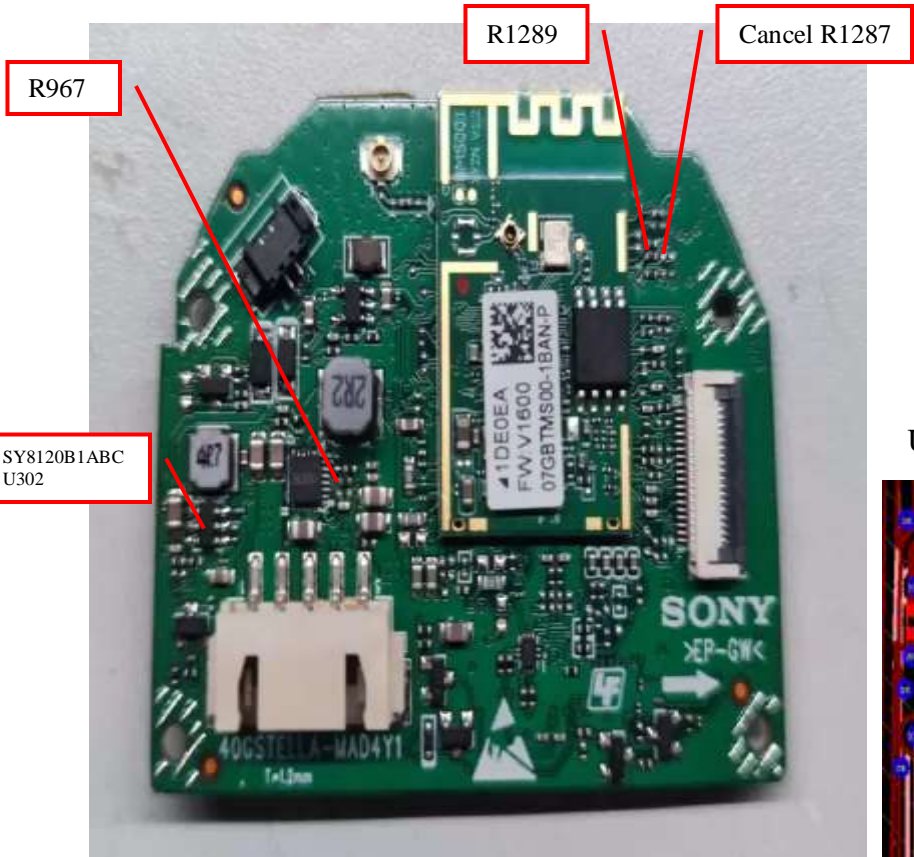
Title: Product Compliance Manager

Name: Takeshi Kobayashi

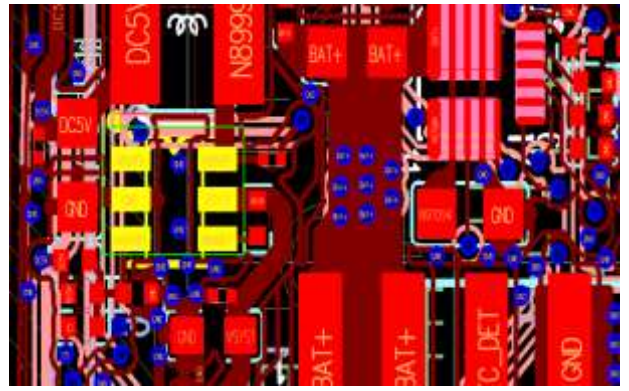
Address: 1-7-1 Konan Minato-ku Tokyo, 108-0075 Japan

Signature

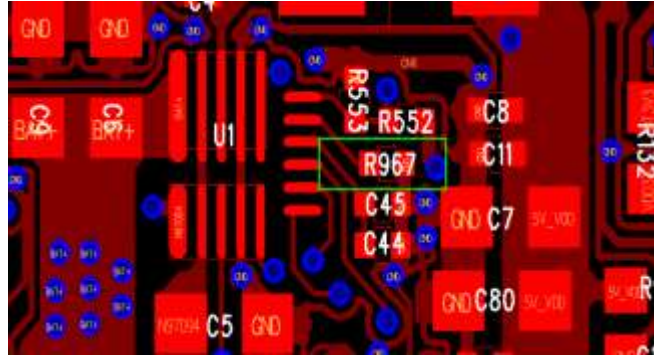




U302 SY8120B1ABC:



R967:



R1289&R1287:



D13 PS1045:

