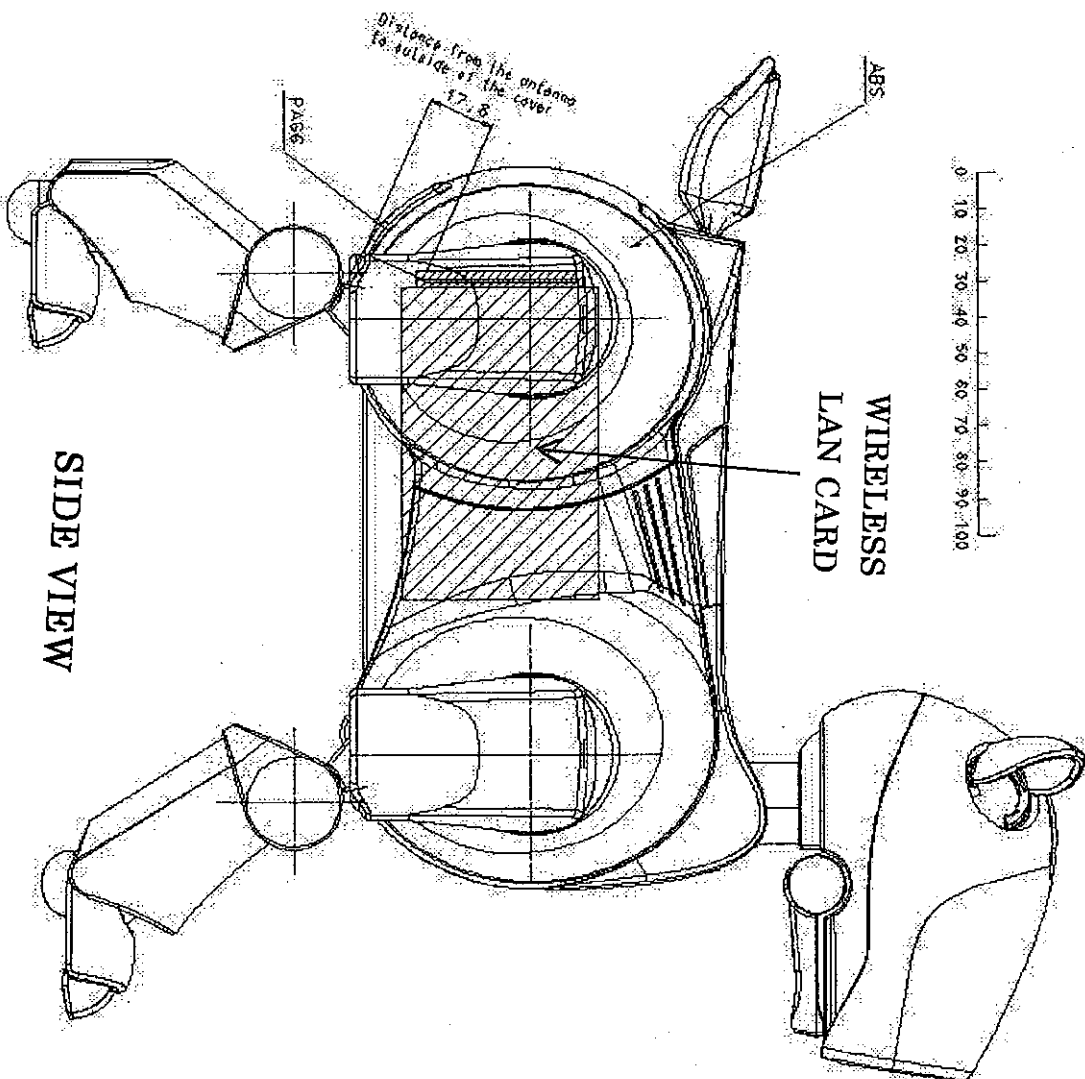
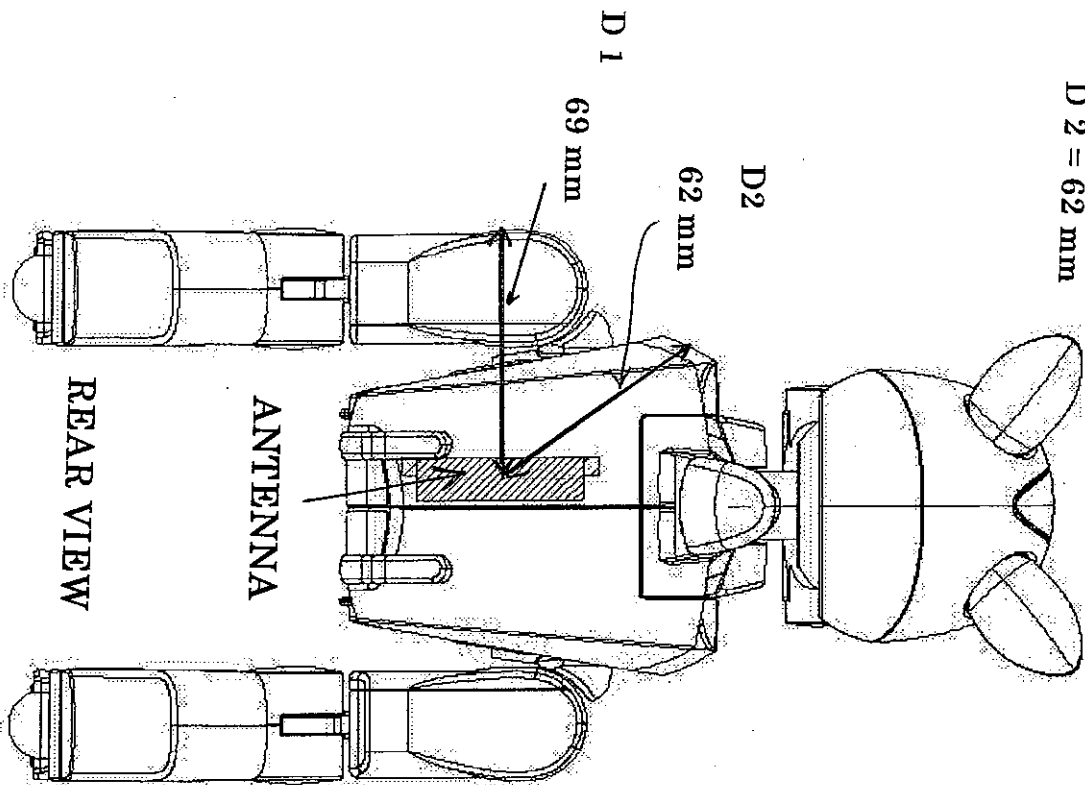


DRAWING OF AIBO ROBOT

FCCID : AK8ERA-201D1

D 1 = 69 mm

D 2 = 62 mm



REAR VIEW

SIDE VIEW

Please note that this sheet is from FCC. And the other sheet of this file is our answer to your question, D1 and D2 as described in the picture.

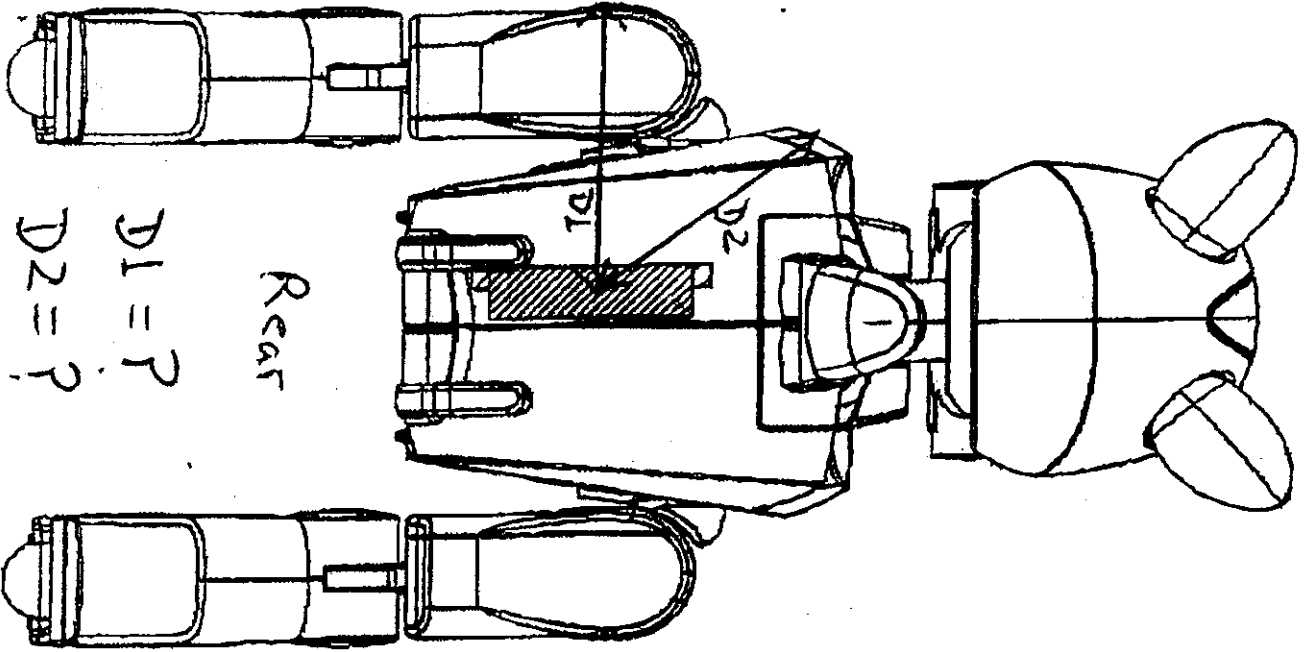
DEC. 15. 2000

9:31AM

CONG MAIL/OLIA FCC

NO. 188

P. 2/2



measure distance from antenna

