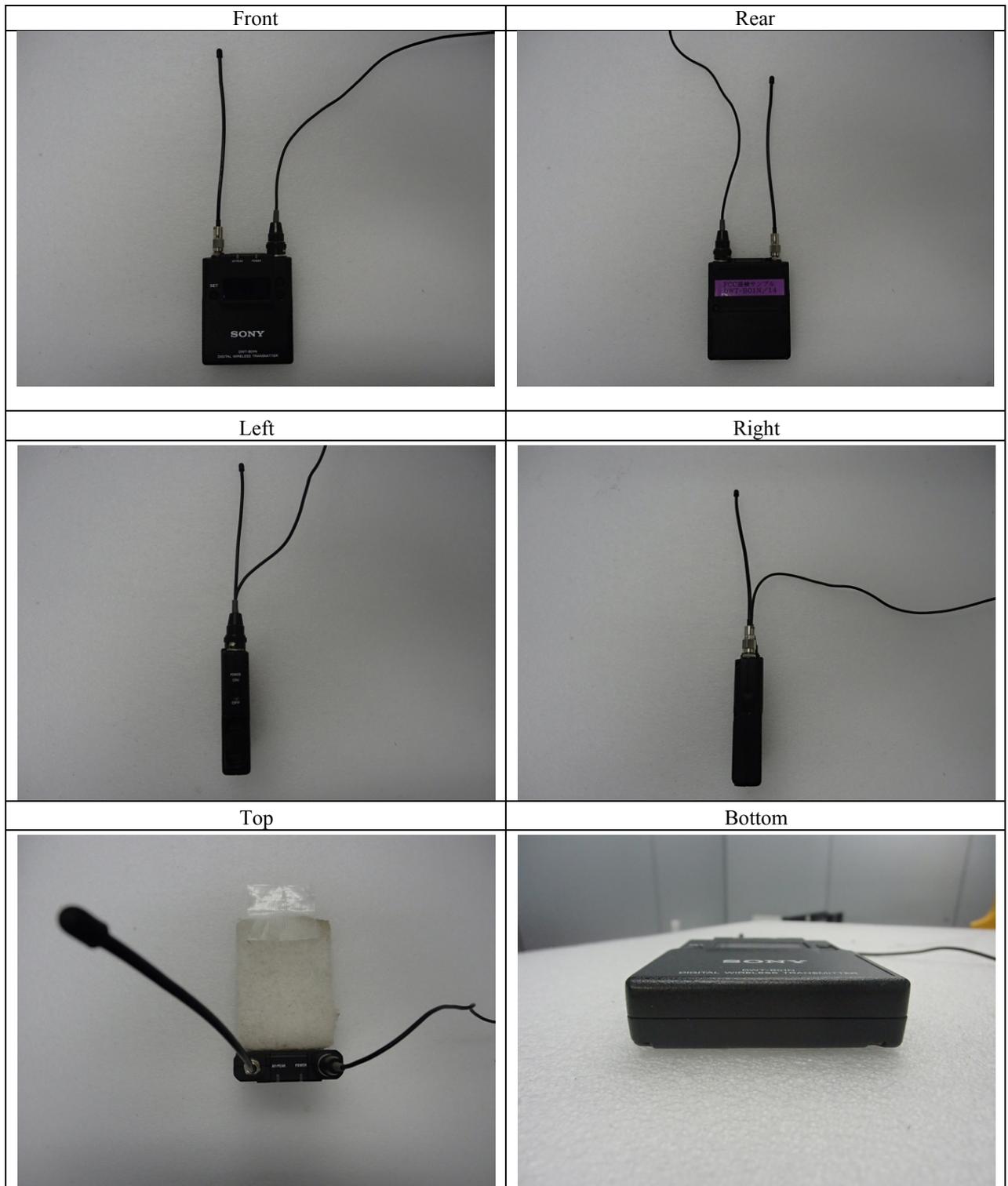
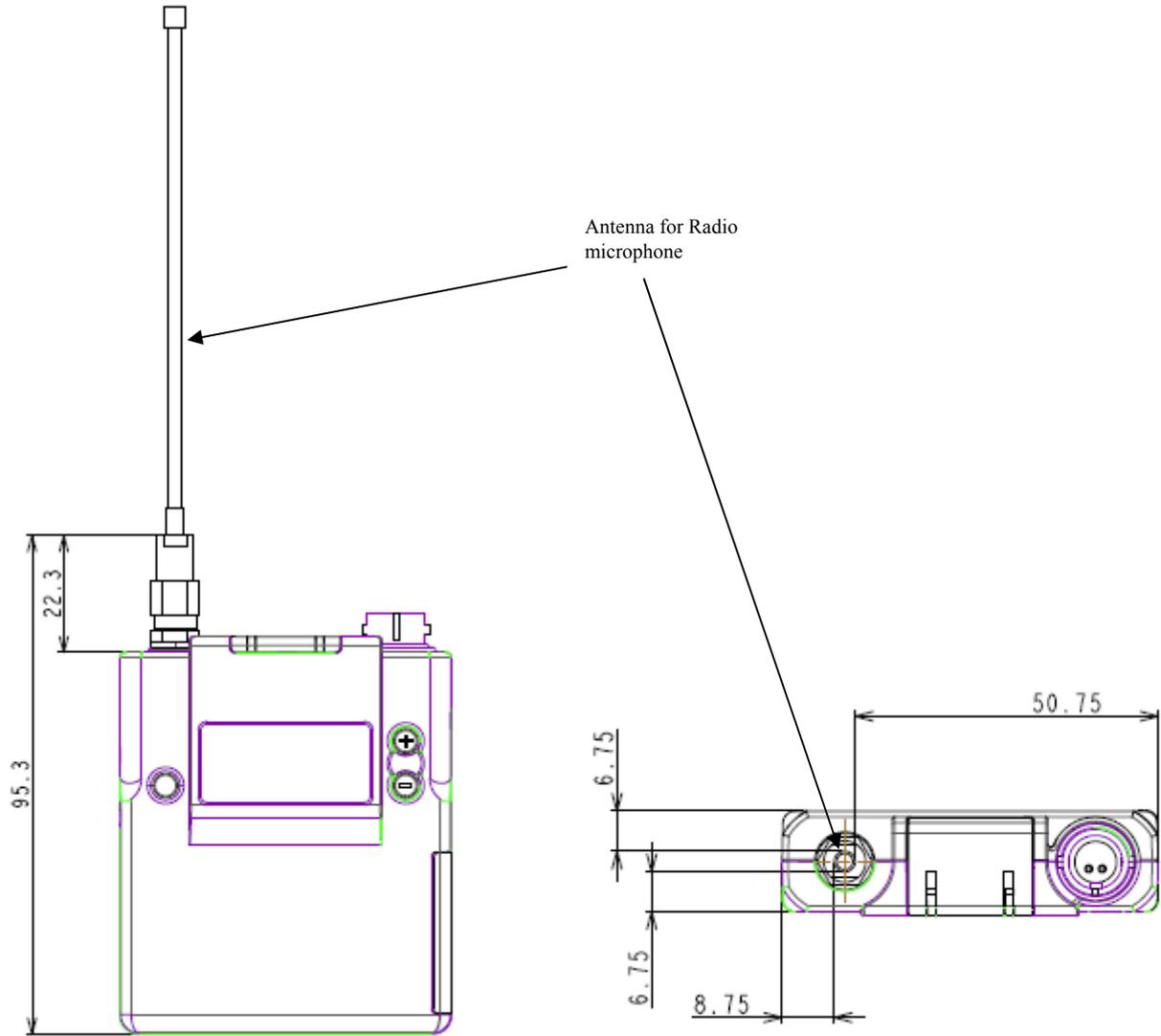


APPENDIX 4 : Photographs of test setup

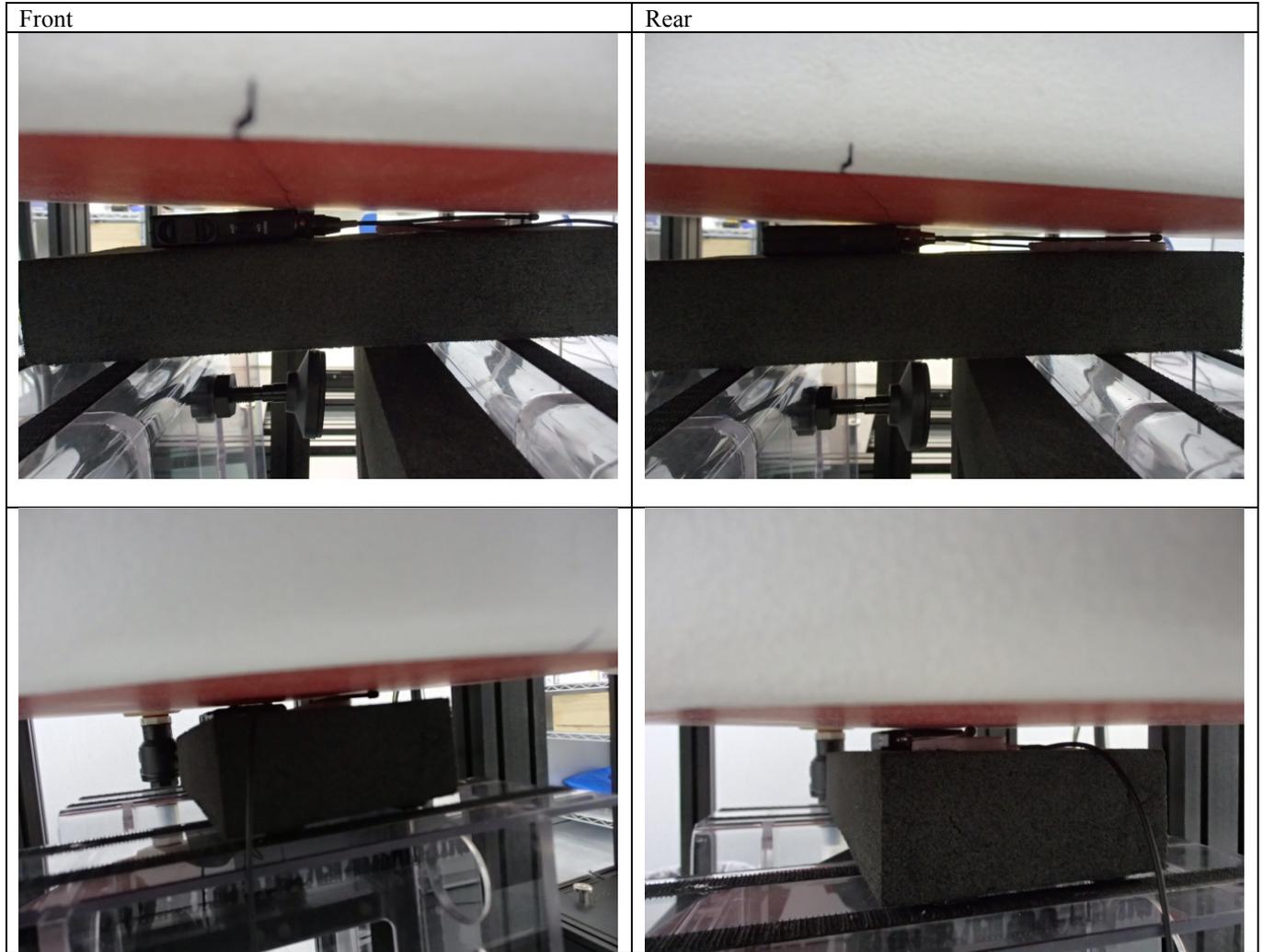
Photographs of EUT



Antenna position



Photographs of setup



Right



End of Report