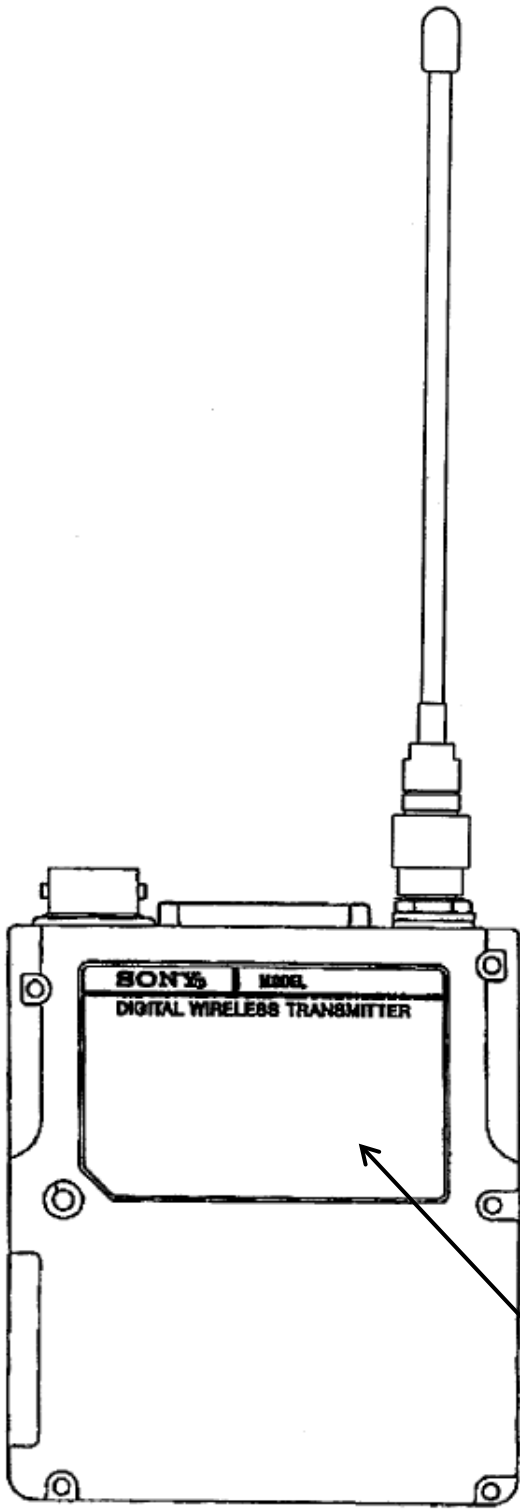
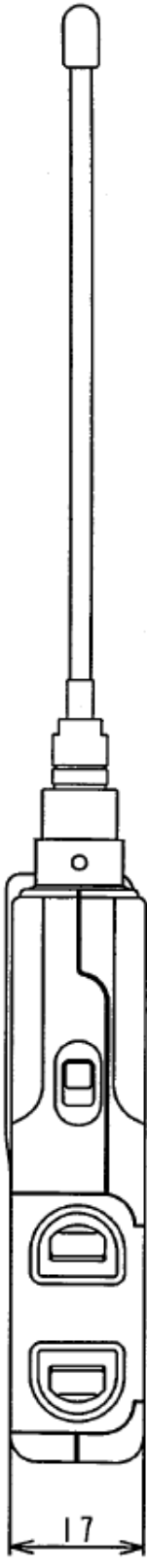
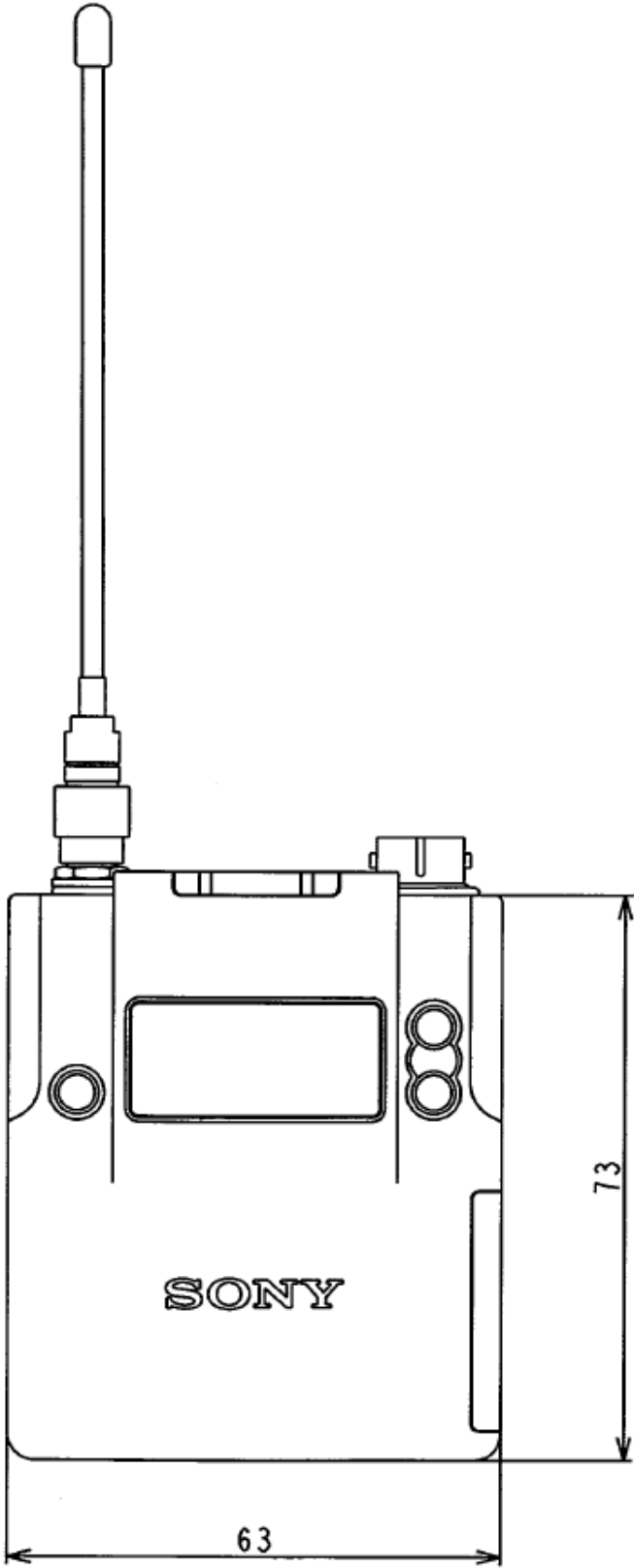
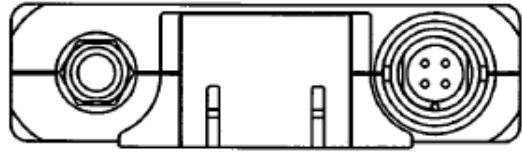
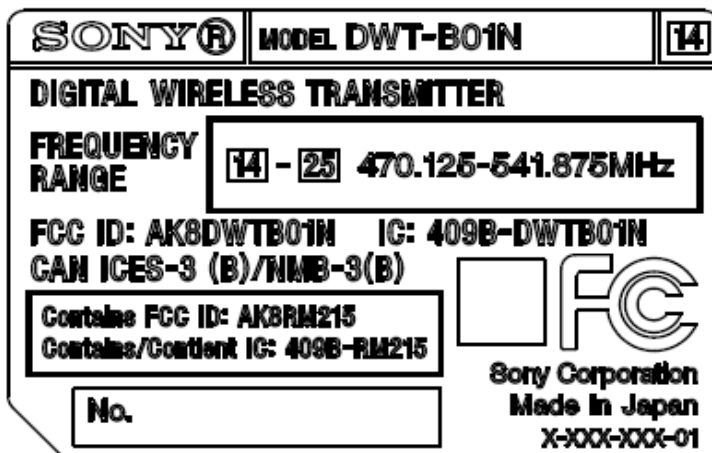


DWT-B01N Outline drawing

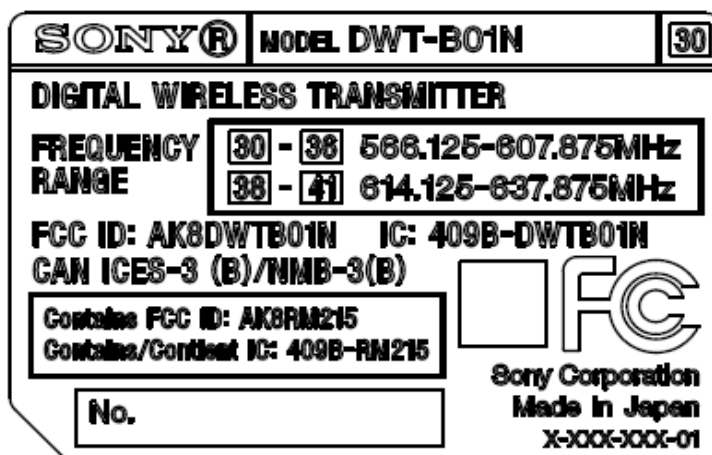


Model Number Label

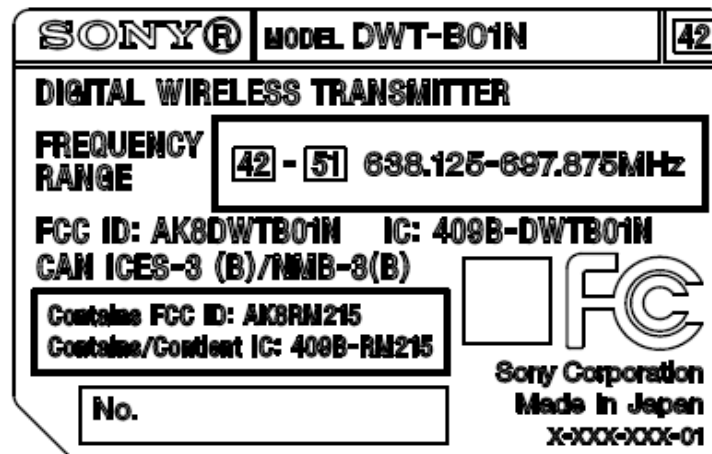
DWT-B01 Model Number Label



Label (U14)



Label (U30)



Label (U42)