

APPENDIX 3: Photographs of test setup

Conducted Emission



Photo 1

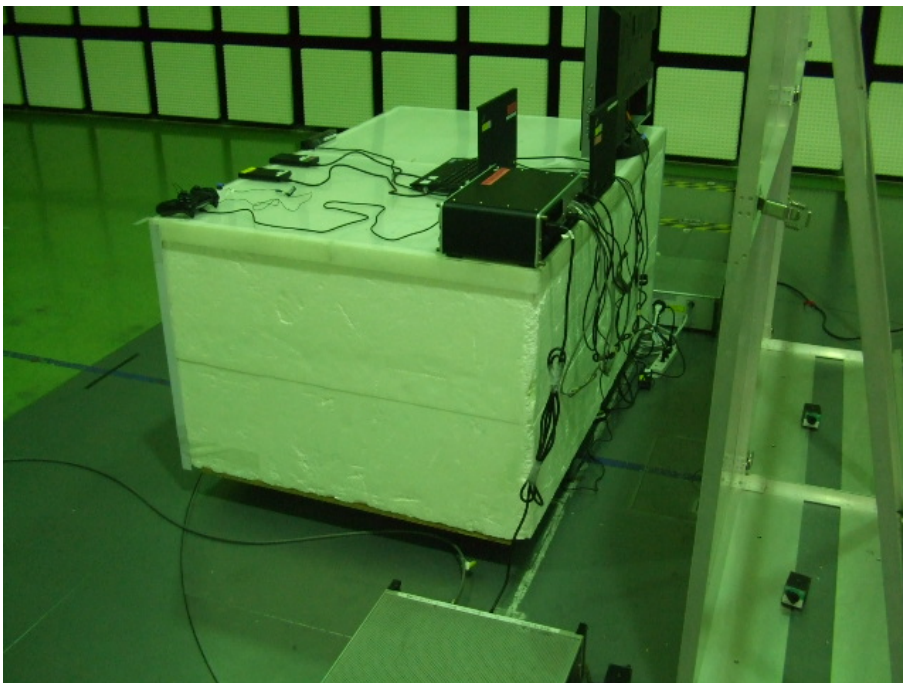


Photo 2

UL Japan, Inc.

Head Office EMC Lab.

4383-326 Asama-cho, Ise-shi, Mie-ken 516-0021 JAPAN

Telephone : +81 596 24 8999

Facsimile : +81 596 24 8124

Radiated Spurious Emission



Photo 1

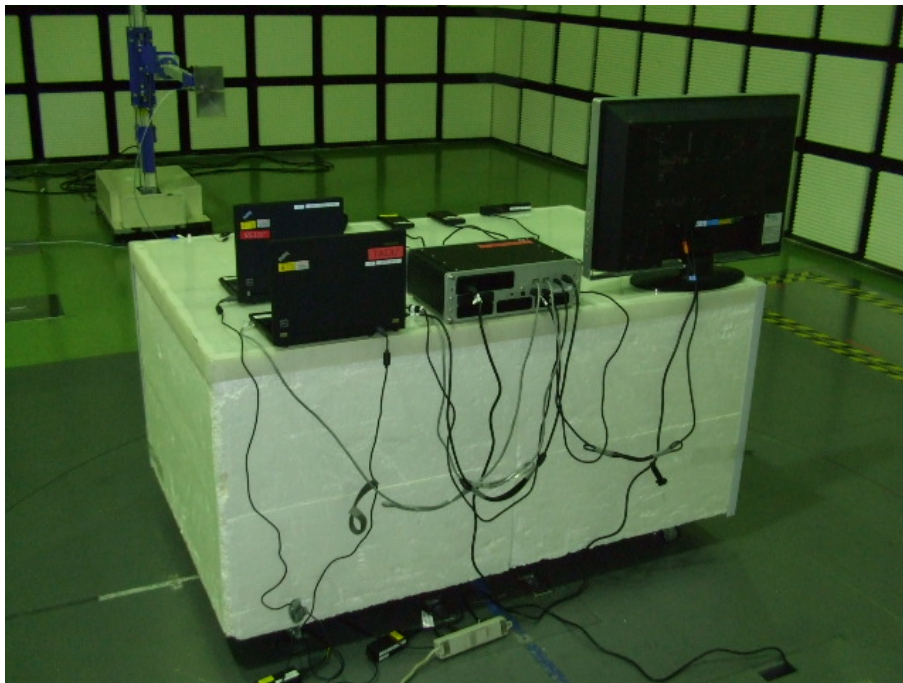


Photo 2

Worst Case Position

WLAN: Horizontal: X-axis / Vertical: X-axis
BT LE: Horizontal: Y-axis / Vertical: X-axis

X-axis



Y-axis



UL Japan, Inc.

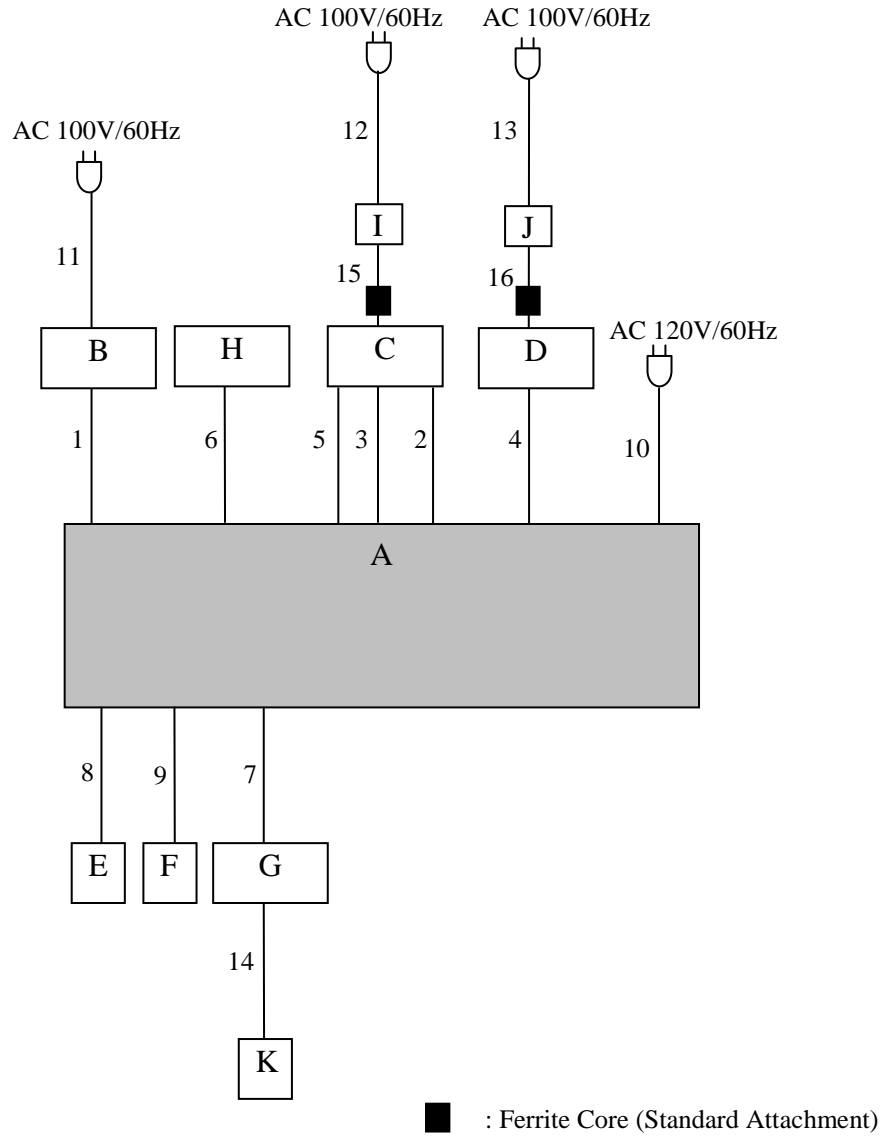
Head Office EMC Lab.

4383-326 Asama-cho, Ise-shi, Mie-ken 516-0021 JAPAN

Telephone : +81 596 24 8999

Facsimile : +81 596 24 8124

Test Configuration and peripherals



*Cabling and setup were taken into consideration and test data was taken under worse case conditions.

Description of EUT and Support equipment

| No | Item | Model number | Serial number | Manufacturer | Remarks |
|----|--|------------------|--|--------------------------------|---------|
| A | Development Kit (for PlayStation®4) | DUH-D1000AA | 20689DD2A5A3 for AT* 3200020 for CE & RE* | Sony Computer Entertainment | EUT |
| B | Monitor | VW26L+DTV20F | LFMBBAI1333183 | VISIO | - |
| C | Laptop PC | X230 | R9-W6R2Z 12/12 | Lenovo | - |
| D | Laptop PC | X61 | LV-R3W72 08/06 | IBM | - |
| E | USB3.0 HDD | HD-EG5 EE (500G) | 0CV1S5K24180824 | SONY | - |
| F | USB3.0 HDD | HD-EG5 EE (500G) | 0CV1S5K241809D2 | SONY | - |
| G | Controller | CAP-ZCT1J | JD25GTJ00369 | Sony Computer Entertainment | - |
| H | Camera | CAP-ZEY1 | LK20GTC10537 | Sony Computer Entertainment | - |
| I | AC Adaptor | 45N012 | 11S45N0121Z1ZHXU2CA 6GK | Lenovo | - |
| J | AC Adaptor | 92P1160 | 11S92P1160Z1ZBGH859 G1H | IBM | - |
| K | Earphone | - | - | Sony Computer Entertainment | - |

*AT: Antenna Terminal Conducted test, CE: Conducted Emission test, RE: Radiated Emission test

List of cables used

| No | Name | Length (m) | Shield | | Remarks |
|----|----------------|------------|------------|------------|---------|
| | | | Cable | Connector | |
| 1 | HDMI Cable | 2.0 | Shielded | Shielded | - |
| 2 | USB2.0 Cable | 1.4 | Shielded | Shielded | - |
| 3 | Ether Cable | 2.0 | Unshielded | Unshielded | - |
| 4 | Ether Cable | 2.0 | Unshielded | Unshielded | - |
| 5 | USB3.0 Cable | 2.0 | Shielded | Shielded | - |
| 6 | USB3.0 Cable | 2.0 | Shielded | Shielded | - |
| 7 | USB2.0 Cable | 1.5 | Shielded | Shielded | - |
| 8 | USB3.0 Cable | 1.0 | Shielded | Shielded | - |
| 9 | USB3.0 Cable | 1.0 | Unshielded | Unshielded | - |
| 10 | AC Cable | 2.5 | Unshielded | Unshielded | - |
| 11 | AC Cable | 1.8 | Unshielded | Unshielded | - |
| 12 | AC Cable | 1.0 | Unshielded | Unshielded | - |
| 13 | AC Cable | 0.8 | Unshielded | Unshielded | - |
| 14 | Earphone Cable | 1.2 | Unshielded | Unshielded | - |
| 15 | DC Cable | 1.0 | Shielded | Shielded | - |
| 16 | DC Cable | 0.8 | Shielded | Shielded | - |

End of Report

UL Japan, Inc.

Head Office EMC Lab.

4383-326 Asama-cho, Ise-shi, Mie-ken 516-0021 JAPAN

Telephone : +81 596 24 8999

Facsimile : +81 596 24 8124