

### APPENDIX 3: Photographs of test setup

#### Conducted Emission



Photo 1

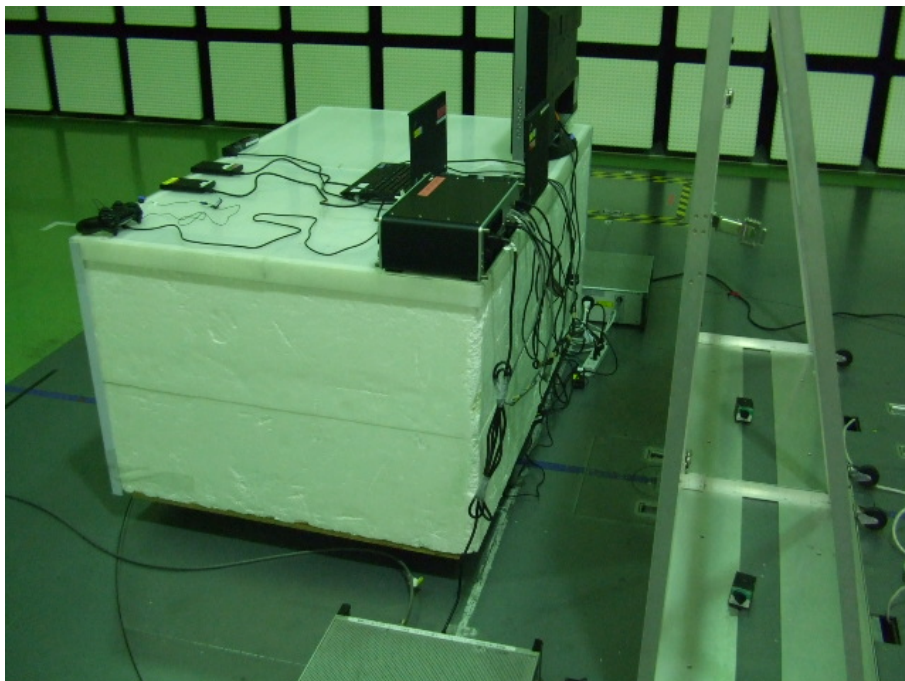


Photo 2

---

**UL Japan, Inc.**

**Head Office EMC Lab.**

4383-326 Asama-cho, Ise-shi, Mie-ken 516-0021 JAPAN

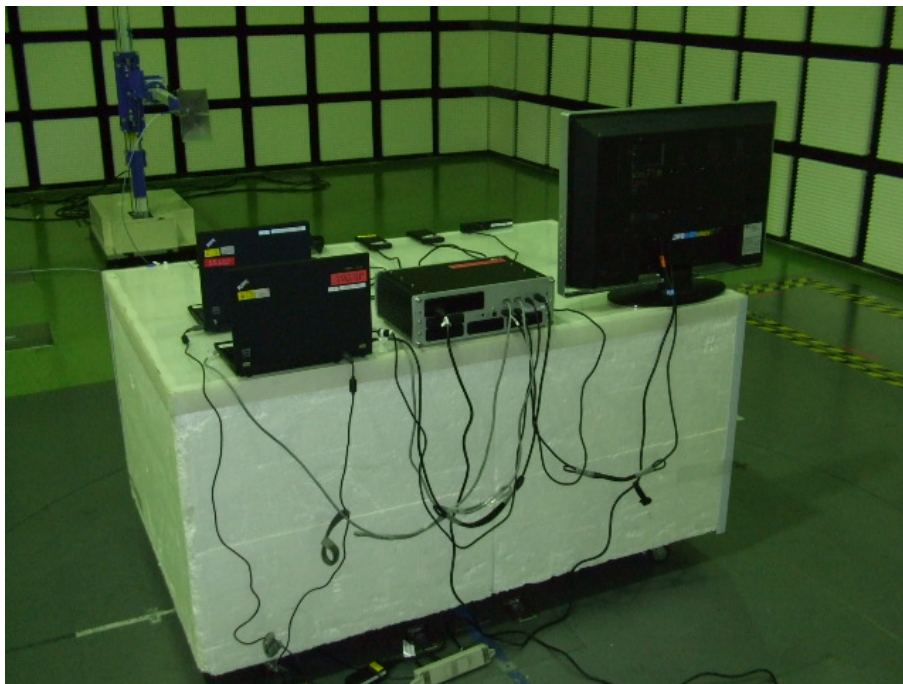
Telephone : +81 596 24 8999

Facsimile : +81 596 24 8124

### Radiated Spurious Emission



**Photo 1**



**Photo 2**

**Worst Case Position (Horizontal: Y-axis/ Vertical:X-axis)**

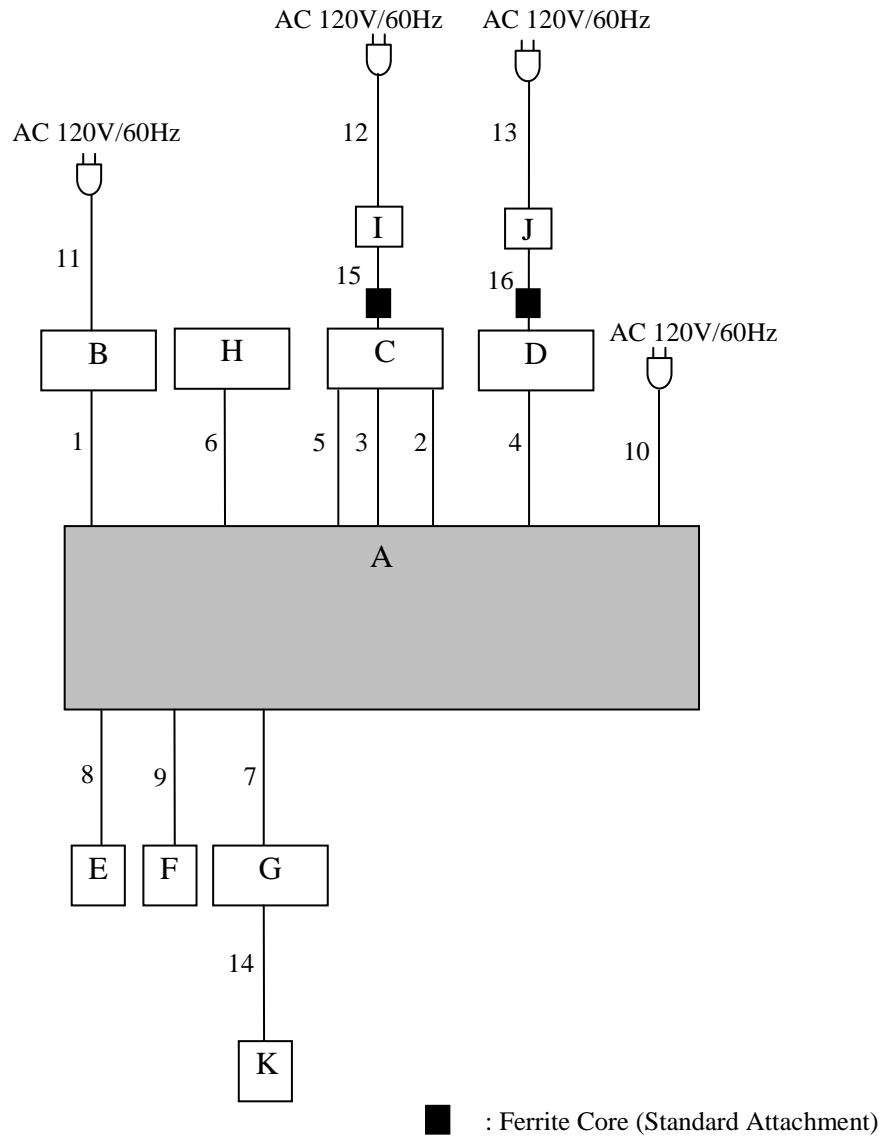
**X-axis**



**Y-axis**



**Test Configuration and peripherals**



\*Cabling and setup were taken into consideration and test data was taken under worse case conditions.

**Description of EUT and Support equipment**

No	Item	Model number	Serial number	Manufacturer	Remarks
A	Development Kit (for PlayStation®4)	DUH-D1000AA	20689DD2A5A3 for AT* 3200020 for CE & RE*	Sony Computer Entertainment	EUT
B	Monitor	VW26L+DTV20F	LFMBBBAI1333183	VISIO	-
C	Laptop PC	X230	R9-W6R2Z 12/12	Lenovo	-
D	Laptop PC	X61	LV-R3W72 08/06	IBM	-
E	USB3.0 HDD	HD-EG5 EE (500G)	0CV1S5K24180824	SONY	-
F	USB3.0 HDD	HD-EG5 EE (500G)	0CV1S5K241809D2	SONY	-
G	Controller	CAP-ZCT1J	JD25GTJ00369	Sony Computer Entertainment	-
H	Camera	CAP-ZEY1	LK20GTC10537	Sony Computer Entertainment	-
I	AC Adaptor	45N012	11S45N0121Z1ZH XU2CA 6GK	Lenovo	-
J	AC Adaptor	92P1160	11S92P1160Z1ZBGH859 GIH	IBM	-
K	Earphone	-	-	Sony Computer Entertainment	-

\*AT: Antenna Terminal Conducted test, CE: Conducted Emission test, RE: Radiated Emission test

**List of cables used**

No	Name	Length (m)	Shield		Remarks
			Cable	Connector	
1	HDMI Cable	2.0	Shielded	Shielded	-
2	USB2.0 Cable	1.4	Shielded	Shielded	-
3	Ether Cable	2.0	Unshielded	Unshielded	-
4	Ether Cable	2.0	Unshielded	Unshielded	-
5	USB3.0 Cable	2.0	Shielded	Shielded	-
6	USB3.0 Cable	2.0	Shielded	Shielded	-
7	USB2.0 Cable	1.5	Shielded	Shielded	-
8	USB3.0 Cable	1.0	Shielded	Shielded	-
9	USB3.0 Cable	1.0	Unshielded	Unshielded	-
10	AC Cable	2.5	Unshielded	Unshielded	-
11	AC Cable	1.8	Unshielded	Unshielded	-
12	AC Cable	1.0	Unshielded	Unshielded	-
13	AC Cable	0.8	Unshielded	Unshielded	-
14	Earphone Cable	1.2	Unshielded	Unshielded	-
15	DC Cable	1.0	Shielded	Shielded	-
16	DC Cable	0.8	Shielded	Shielded	-

**End of Report**

**UL Japan, Inc.**

**Head Office EMC Lab.**

4383-326 Asama-cho, Ise-shi, Mie-ken 516-0021 JAPAN

Telephone : +81 596 24 8999

Facsimile : +81 596 24 8124