

APPENDIX 1: Photographs of test setup

Conducted Emission



Photo 1

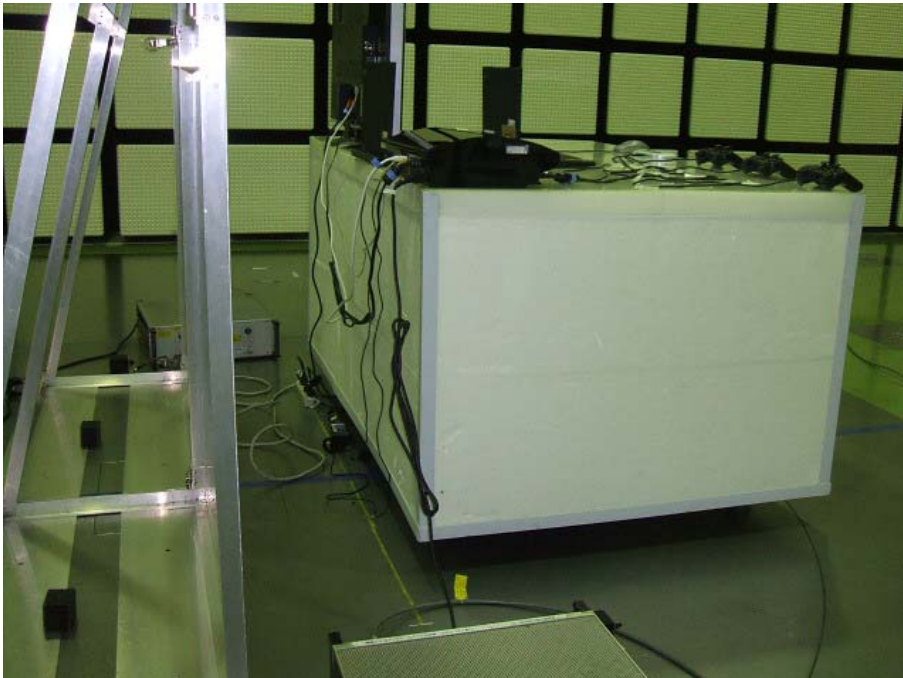


Photo 2

Radiated Spurious Emission



Photo 1

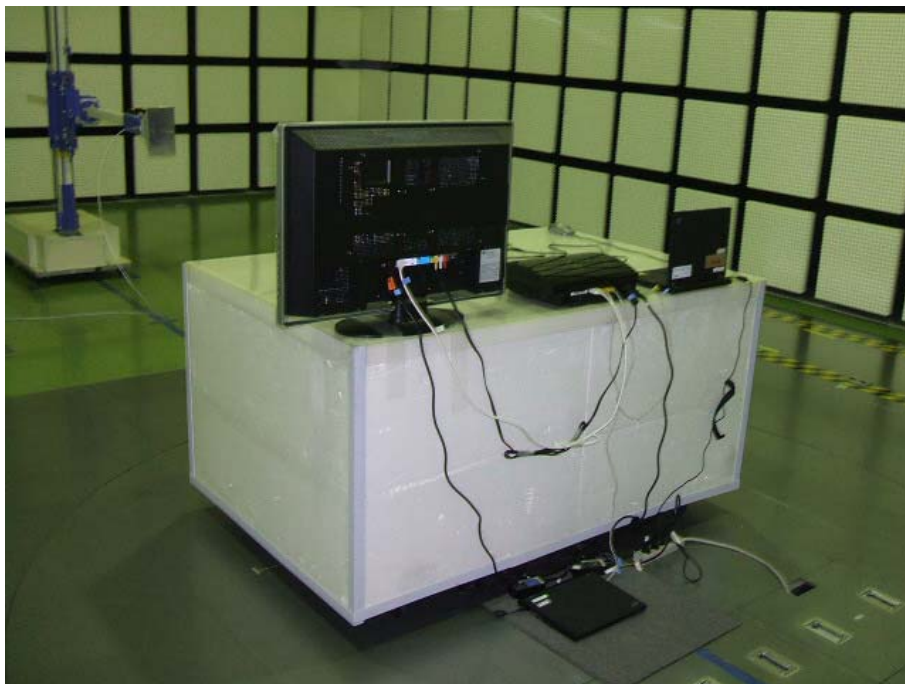


Photo 2

Worst Case Position

Ant 1 Horizontal: Y-axis/ Vertical:Y-axis
Ant 2 Horizontal: X-axis/ Vertical:Y-axis

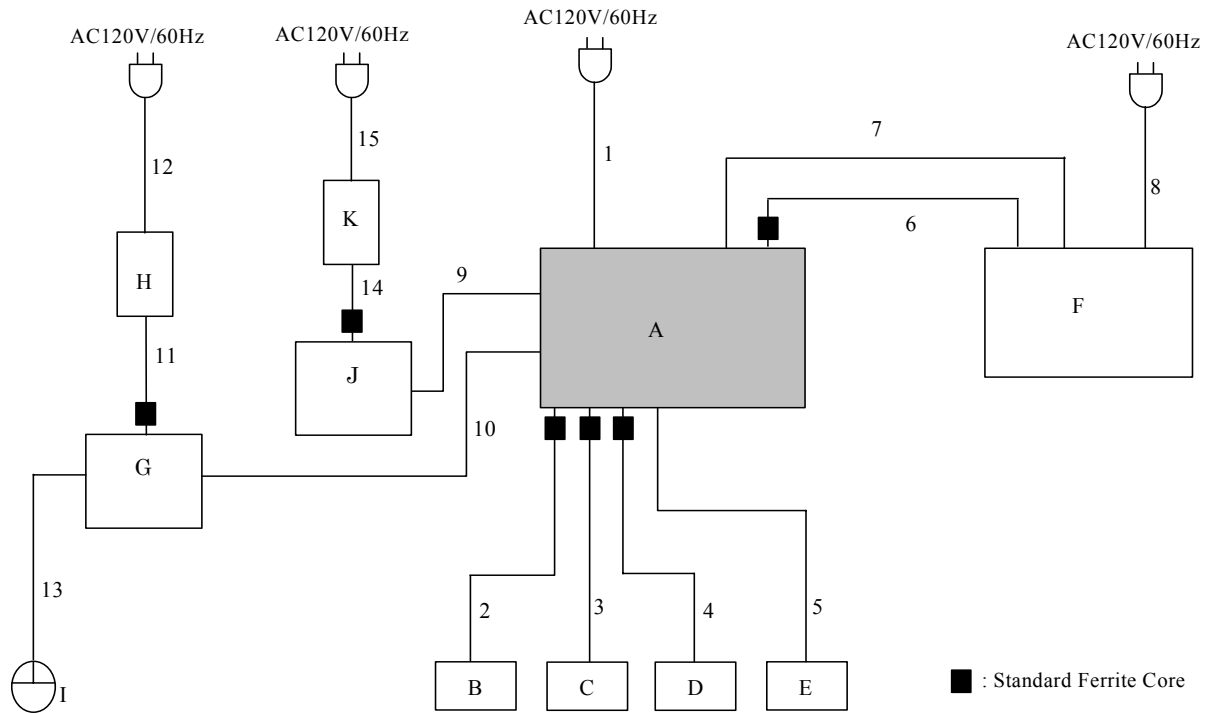
X-axis



Y-axis



Configuration and peripherals



*Cabling and setup were taken into consideration and test data was taken under worse case conditions.

Description of EUT and Support equipment

No.	Item	Model number	Serial number	Manufacturer	Remarks
A	Reference Tool for PLAYSTATION®3	DECR-1400A	0201985 *1) 0201984 *2)	Sony Computer Entertainment Inc.	EUT
B	PLAYSTATION®3 Controller	CECHZC2U	3768116401525	Sony Computer Entertainment Inc.	-
C	PLAYSTATION®3 Controller	CECHZC2U	3808116100283	Sony Computer Entertainment Inc.	-
D	PLAYSTATION®3 Controller	CECHZC2U	3808116100284	Sony Computer Entertainment Inc.	-
E	PSP	PSP-2000	HJ2221219	Sony Computer Entertainment Inc.	-
F	Display	VW26L HDTV20F	LFMBBA11023148	VIZIO	-
G	Laptop PC	X40-2372-EJ1	LV-YZ145	IBM	-
H	AC daptor	02K6810	11S02K6810Z1Z3B J5994B81	IBM	-
I	Mouse	M-UB48	LZE02601001	Logitech	-
J	Laptop PC	X40-2372-EJ1	LV-YW238	IBM	-
K	AC Adaptor	02K6810	11S02K6810Z1Z3B J5CPJA41	IBM	-

*1) Used for Antenna Terminal Conducted tests

*2) Used for Conducted emission test and Radiated spurious emission test

List of cables used

No.	Name	Length (m)	Shield		Remarks
			Cable	Cable	
1	AC Cable	2.5	Unshielded	Unshielded	-
2	USB Cable	1.5	Shielded	Shielded	One ferrite core (standard attachment)
3	USB Cable	1.5	Shielded	Shielded	One ferrite core (standard attachment)
4	USB Cable	1.5	Shielded	Shielded	One ferrite core (standard attachment)
5	USB Cable	1.0	Shielded	Shielded	-
6	AV Multi Cable	2.5	Shielded	Shielded	One ferrite core (standard attachment)
7	HDMI Cable	3.0	Shielded	Shielded	-
8	AC Cable	1.7	Unshielded	Unshielded	-
9	LAN Cable	1.0	Unshielded	Unshielded	-
10	LAN Cable	1.0	Unshielded	Unshielded	-
11	DC Cable	1.8	Shielded	Shielded	One ferrite core (standard attachment)
12	AC Cable	1.0	Unshielded	Unshielded	-
13	USB Mouse Cable	0.8	Shielded	Shielded	-
14	DC Cable	1.8	Shielded	Shielded	One ferrite core (standard attachment)
15	AC Cable	2.0	Unshielded	Unshielded	-

UL Japan, Inc.

Head Office EMC Lab.

4383-326 Asama-cho, Ise-shi, Mie-ken 516-0021 JAPAN

Telephone : +81 596 24 8116

Facsimile : +81 596 24 8124