

**APPENDIX 1: Photographs of test setup**

**Conducted Emission**

**Front**



**Rear**

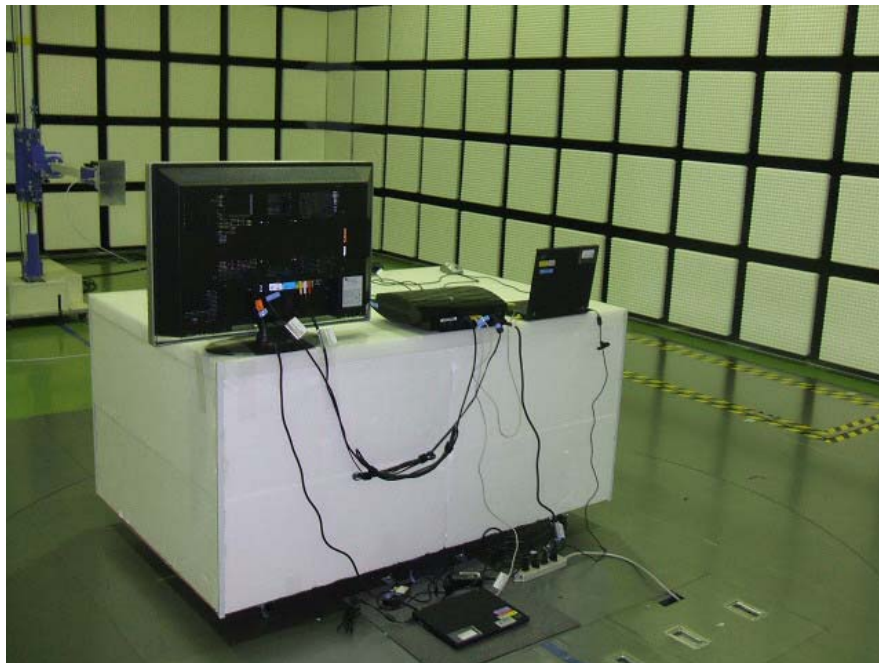


### Spurious Emission (Radiated)

**Front**



**Rear**



**Worst Case Position**  
(Ant: 1 Horizontal: Y-axis/ Vertical:X-axis)

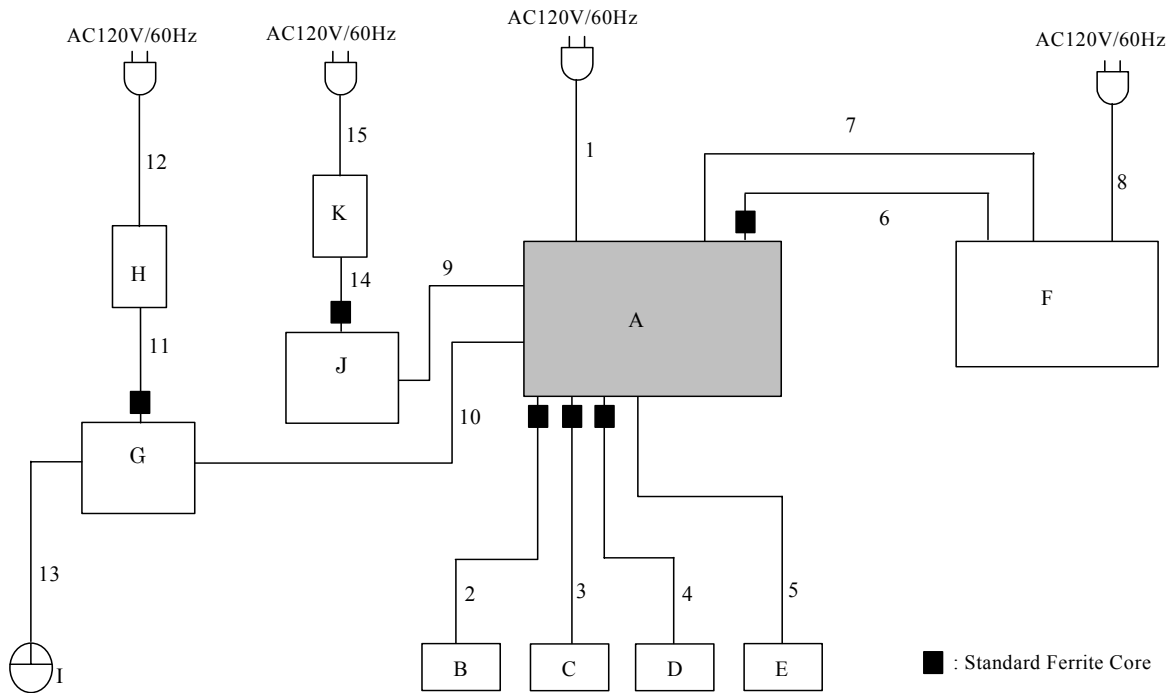
**X-axis**



**Y-axis**



**Configuration and peripherals**



\*Cabling and setup were taken into consideration and test data was taken under worse case conditions.

**Description of EUT and Support equipment**

No.	Item	Model number	Serial number	Manufacturer	Remarks
A	Reference Tool for PLAYSTATION®3	DECR-1400A	1000077 *1) 1010010 *2)	Sony Computer Entertainment Inc.	EUT
B	PLAYSTATION®3 Controller	CECHZC2U	1488110800002	Sony Computer Entertainment Inc.	-
C	PLAYSTATION®3 Controller	CECHZC2U	1488110800006	Sony Computer Entertainment Inc.	-
D	PLAYSTATION®3 Controller	CECHZC2U	1488110800001	Sony Computer Entertainment Inc.	-
E	PSP	PSP-2000	HJ2165827	Sony Computer Entertainment Inc.	-
F	Display	VW26L HDTV20F	LFMBBAI1023148	VIZIO	-
G	Note PC	X40-2371-GDJ	KV-DNK71	IBM	-
H	AC daptor	02K6810	11S02K6810Z1Z3B J51B1YH	IBM	-
I	Mouse	M-UB48	LZE02601001	Logitech	-
J	Note PC	X40-2371-GDJ	KV-FYV12	IBM	-
K	AC Adaptor	02K6810	11S02K6810Z1Z3B J49E66W	IBM	-

\*1) Used for Antenna Terminal Conducted tests

\*2) Used for Conducted emission test and Radiated spurious emission test

**List of cables used**

No.	Name	Length (m)	Shield		Remarks
			Cable	Cable	
1	AC Cable	2.5	Unshielded	Unshielded	-
2	USB Cable	1.5	Shielded	Shielded	One ferrite core (standard attachment)
3	USB Cable	1.5	Shielded	Shielded	One ferrite core (standard attachment)
4	USB Cable	1.5	Shielded	Shielded	One ferrite core (standard attachment)
5	USB Cable	1.0	Shielded	Shielded	-
6	AV Multi Cable	2.5	Shielded	Shielded	One ferrite core (standard attachment)
7	HDMI Cable	3.0	Shielded	Shielded	-
8	AC Cable	1.7	Unshielded	Unshielded	-
9	LAN Cable	1.0	Unshielded	Unshielded	-
10	LAN Cable	1.0	Unshielded	Unshielded	-
11	DC Cable	1.8	Unshielded	Unshielded	One ferrite core (standard attachment)
12	AC Cable	1.0	Unshielded	Unshielded	-
13	USB Mouse Cable	0.8	Shielded	Shielded	-
14	DC Cable	1.8	Unshielded	Unshielded	One ferrite core (standard attachment)
15	AC Cable	2.0	Unshielded	Unshielded	-

**UL Japan, Inc.**

**Head Office EMC Lab.**

4383-326 Asama-cho, Ise-shi, Mie-ken 516-0021 JAPAN

Telephone : +81 596 24 8116

Facsimile : +81 596 24 8124