

### APPENDIX 3: Photographs of test setup

#### Conducted Emission

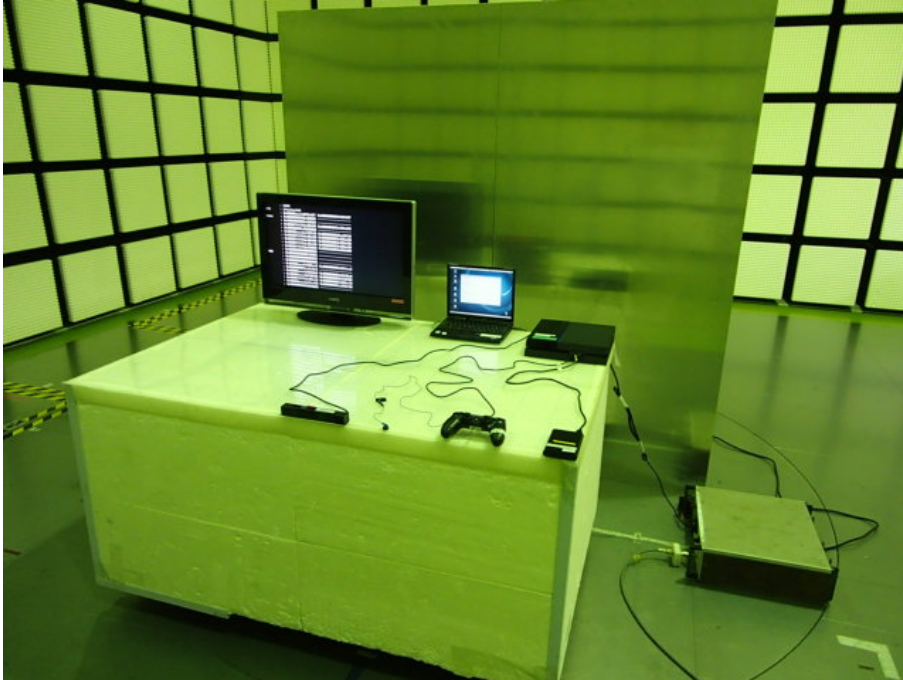


Photo 1

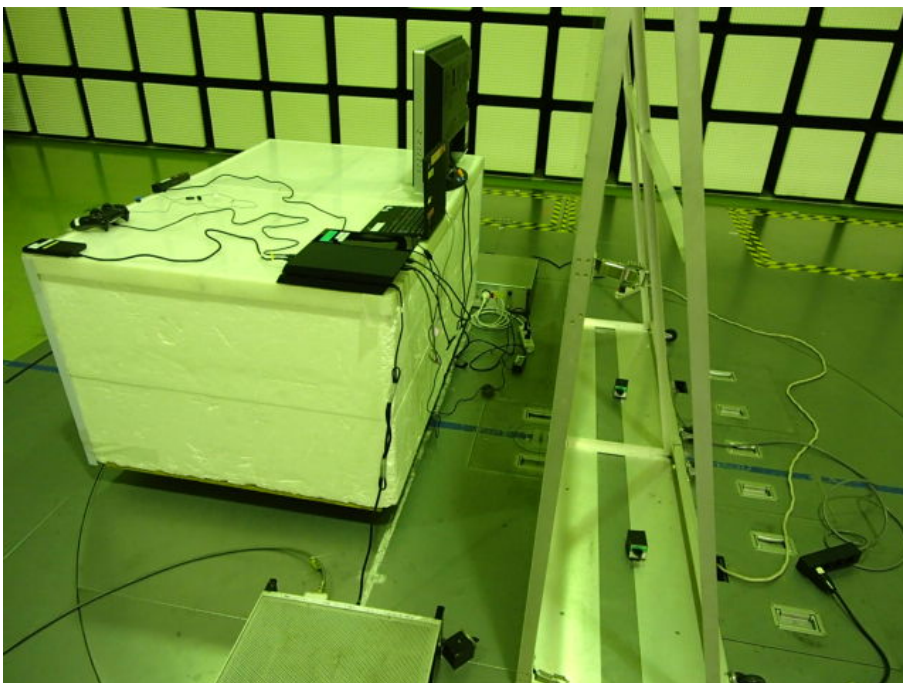


Photo 2

---

**UL Japan, Inc.**

**Head Office EMC Lab.**

4383-326 Asama-cho, Ise-shi, Mie-ken 516-0021 JAPAN

Telephone : +81 596 24 8999

Facsimile : +81 596 24 8124

### Radiated Spurious Emission



Photo 1

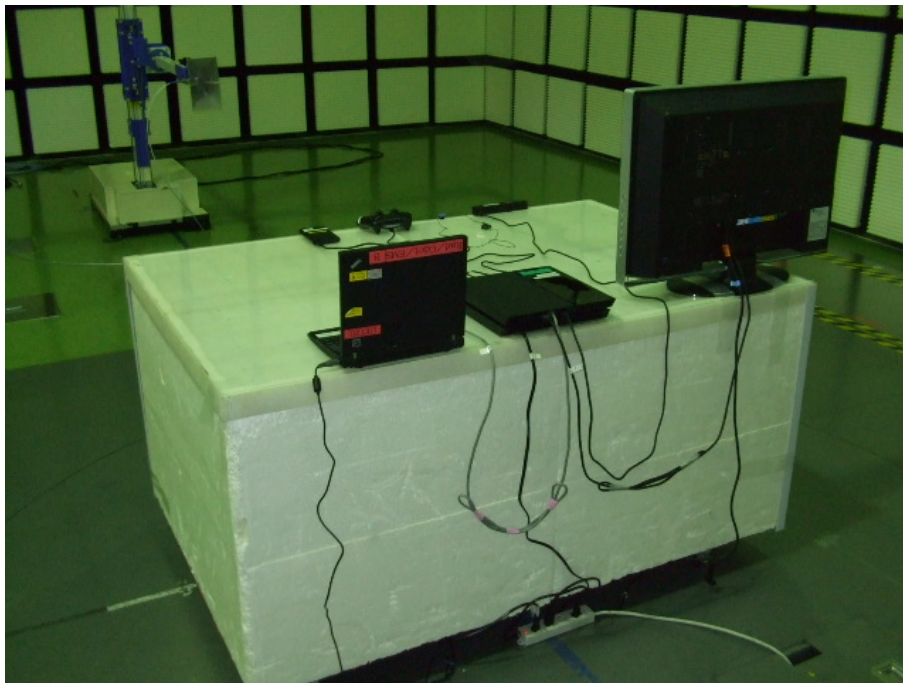


Photo 2

---

**UL Japan, Inc.**

**Head Office EMC Lab.**

4383-326 Asama-cho, Ise-shi, Mie-ken 516-0021 JAPAN

Telephone : +81 596 24 8999

Facsimile : +81 596 24 8124

**Worst Case Position (Horizontal: X-axis/ Vertical:Y-axis)**

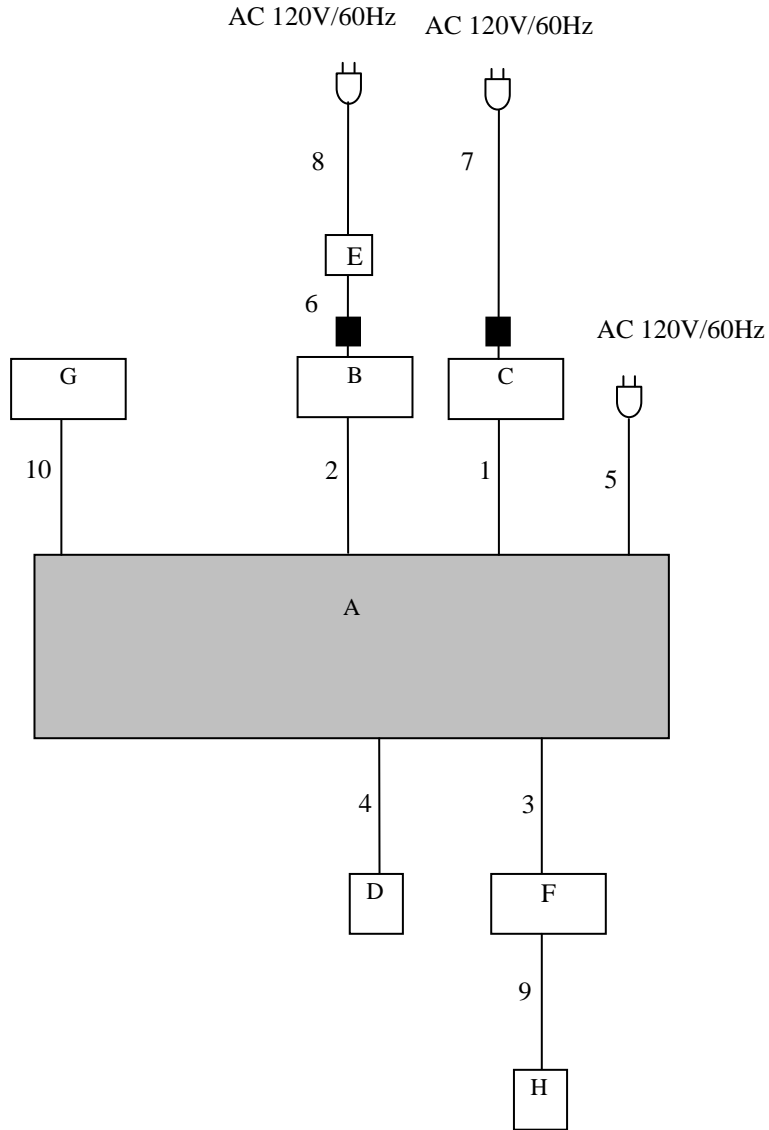
**X-axis**



**Y-axis**



**Test Configuration and peripherals**



■ : Ferrite Core (Standard Attachment)

\* Cabling and setup were taken into consideration and test data was taken under worse case conditions.

**UL Japan, Inc.**

**Head Office EMC Lab.**

4383-326 Asama-cho, Ise-shi, Mie-ken 516-0021 JAPAN

Telephone : +81 596 24 8999

Facsimile : +81 596 24 8124

**Description of EUT and Support equipment**

No	Item	Model number	Serial number	Manufacturer	Remarks
A	Computer Entertainment System	CUH-1001A	20689DD2A5A3 for AT* 1500008 for CE, RE*	Sony Computer Entertainment	EUT
B	Laptop PC	X61	LV-R3VXK	Lenovo	-
C	Monitor	VW26L+DTV20F	LFMBBAI1333183	VISIO	-
D	USB3.0 HDD	HD-EG5 BE (500G)	8CV0A5K34118A63	SONY	-
E	AC Adaptor	45N012	11S45N0121Z1ZHXU26P NX1	Lenovo	-
F	Controller	CUH-ZCT1E	JD25GTJ01145	Sony Computer Entertainment	-
G	Camera	CUH-ZEY1	LK20GTC10901	Sony Computer Entertainment	-
H	Earphone	-	-	Sony Computer Entertainment	-

\*AT: Antenna Terminal Conducted test, CE: Conducted Emission test, RE: Radiated Emission test

**List of cables used**

No	Name	Length (m)	Shield		Remarks
			Cable	Connector	
1	HDMI Cable	2.0	Shielded	Shielded	-
2	LAN Cable	2.0	Shielded	Shielded	-
3	USB Cable	1.5	Shielded	Shielded	-
4	USB Cable	1.0	Shielded	Shielded	-
5	AC Cable	1.5	Unshielded	Unshielded	-
6	DC Cable	1.8	Shielded	Shielded	-
7	AC Cable	1.8	Unshielded	Unshielded	-
8	AC Cable	1.0	Unshielded	Unshielded	-
9	Earphone Cable	1.2	Unshielded	Unshielded	-
10	USB Cable	2.0	Shielded	Shielded	-

**End of Report**

**UL Japan, Inc.**

**Head Office EMC Lab.**

4383-326 Asama-cho, Ise-shi, Mie-ken 516-0021 JAPAN

Telephone : +81 596 24 8999

Facsimile : +81 596 24 8124