

APPENDIX 3: Photographs of test setup

Radiated Spurious Emission

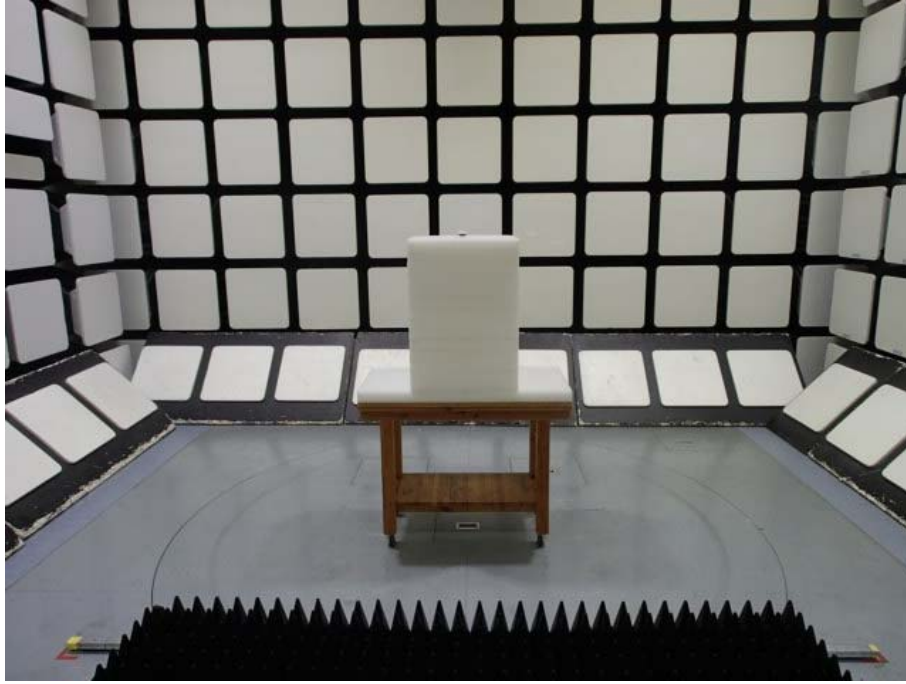


Photo 1



Photo 2

Worst Case Position

Below 1GHz : (Horizontal: X-axis/ Vertical: X-axis)

Above 1GHz : (Horizontal: X-axis/ Vertical: Z-axis)

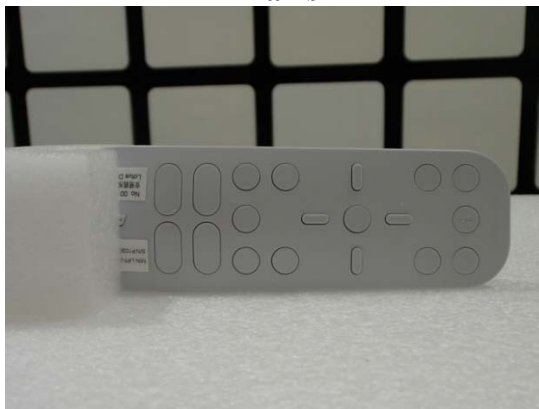
X-axis



Y-axis

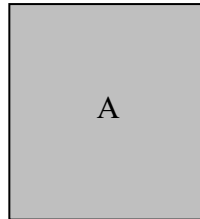


Z-axis



Test Configuration and peripherals

For Radiated Spurious Emission test



* Setup was taken into consideration and test data was taken under worse case conditions.

Description of EUT

No.	Item	Model number	Serial number	Manufacturer	Remarks
A	Remote Control	CFI-ZMR1	P10300LTSD1000147	Sony Interactive Entertainment Inc.	EUT

UL Japan, Inc.

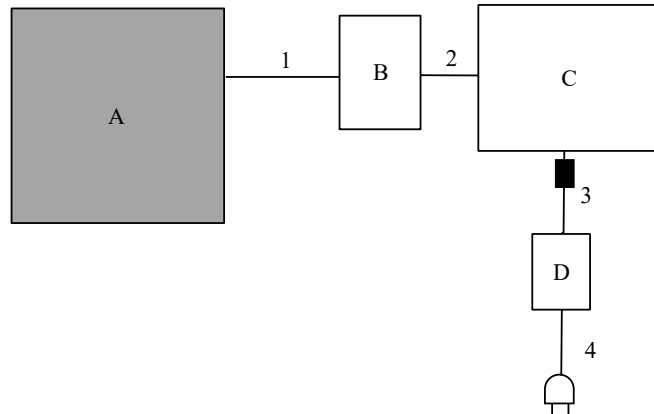
Ise EMC Lab.

4383-326 Asama-cho, Ise-shi, Mie-ken 516-0021 JAPAN

Telephone : +81 596 24 8999

Facsimile : +81 596 24 8124

For Antenna Terminal Conducted tests



AC 120 V / 60 Hz

■ : Standard Ferrite core

* Cabling and setup(s) were taken into consideration and test data was taken under worse case conditions.

Description of EUT and Support equipment

No.	Item	Model number	Serial number	Manufacturer	Remarks
A	Remote Control	CFI-ZMR1	P10300LTSD1000146	Sony Interactive Entertainment Inc.	EUT
B	USB Jig	USB-JIG	UJ-02	Sony Interactive Entertainment Inc.	-
C	Laptop PC	X230	R9-W6R36 12/12	Lenovo	-
D	AC Adaptor	92P1156	11S45N0121Z1ZHXU 2CB96T	Lenovo	-

List of cables used

No.	Name	Length (m)	Shield		Remarks
			Cable	Connector	
1	FFC Cable	0.09	Unshielded	Unshielded	-
2	USB Cable	2.00	Shielded	Shielded	-
3	DC Cable	1.80	Unshielded	Unshielded	-
4	AC Cable	0.90	Unshielded	Unshielded	-

End of Report

UL Japan, Inc.

Ise EMC Lab.

4383-326 Asama-cho, Ise-shi, Mie-ken 516-0021 JAPAN

Telephone : +81 596 24 8999

Facsimile : +81 596 24 8124