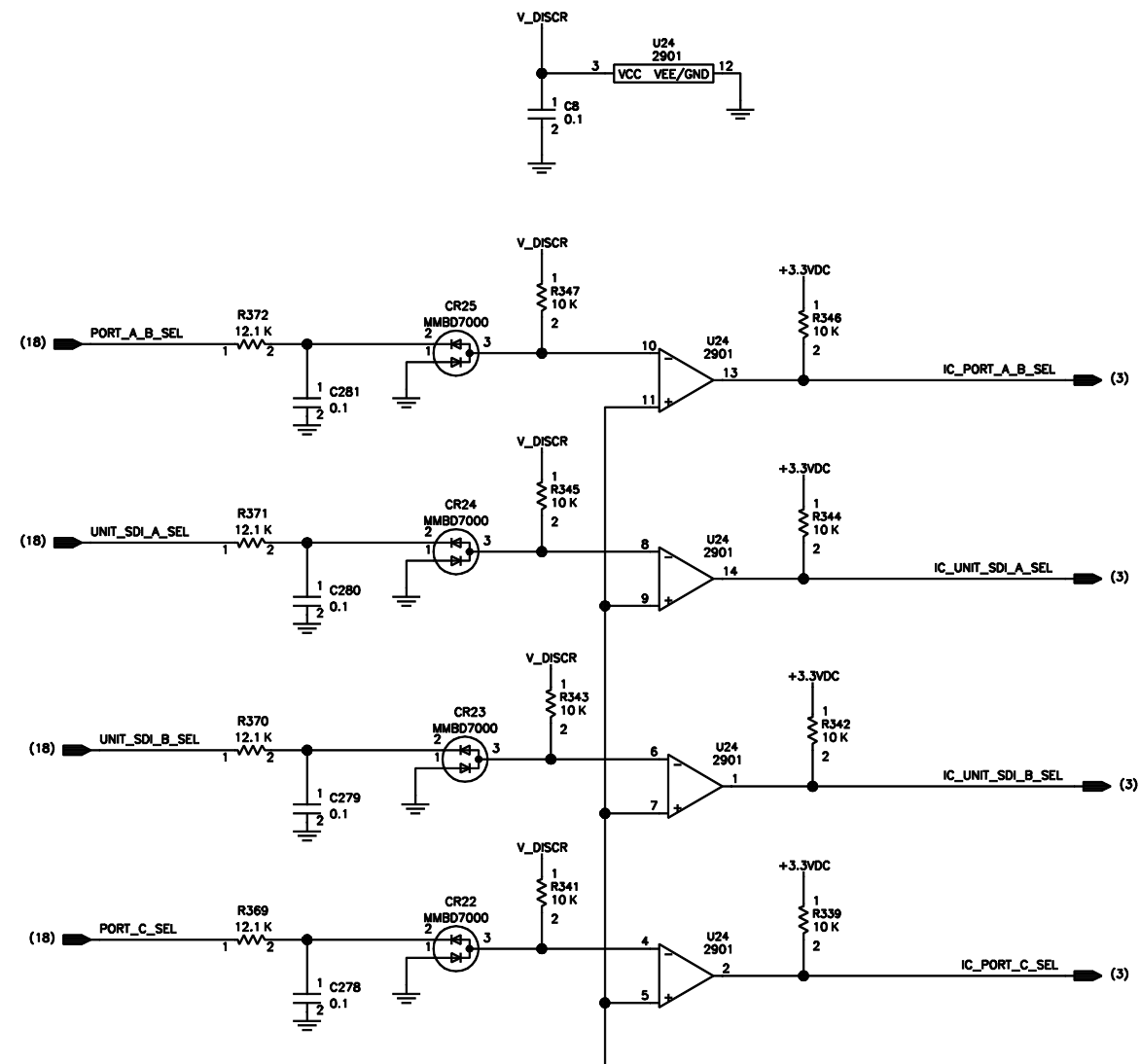
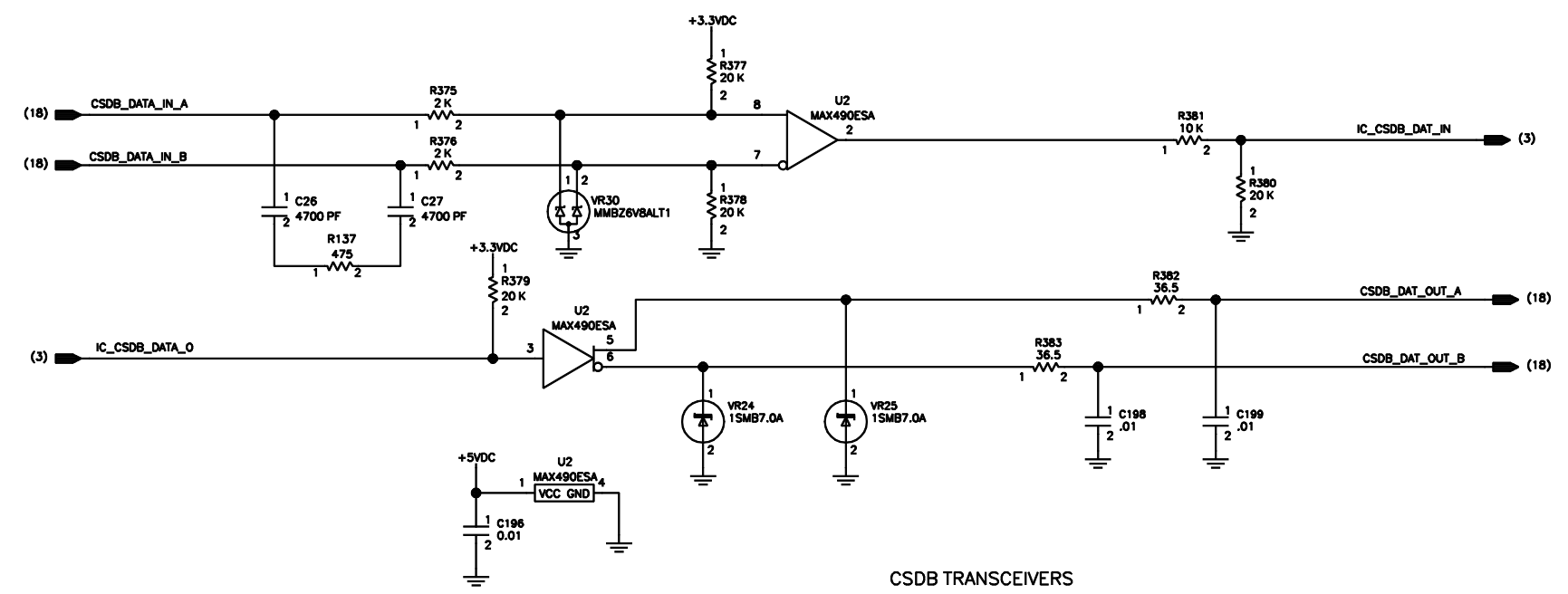
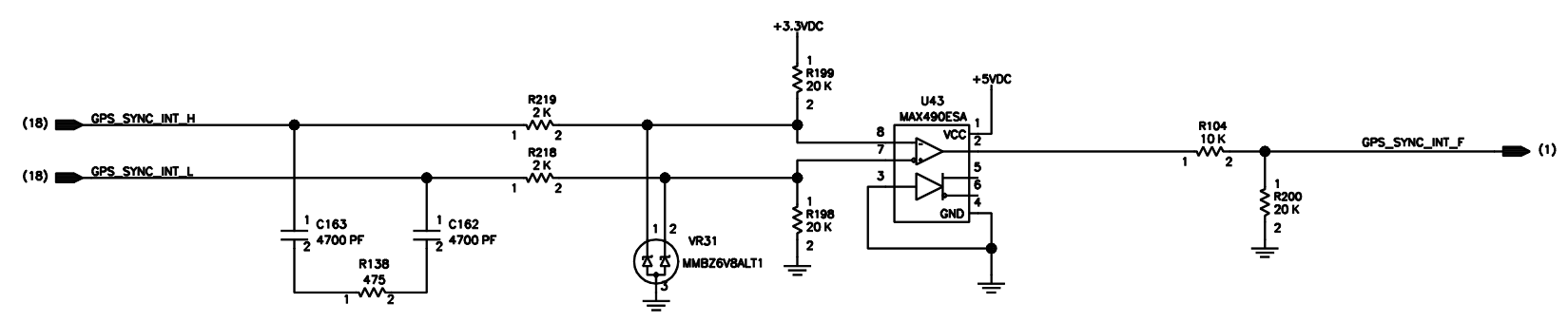


DISCRETE INPUTS





CSDB TRANSCEIVERS



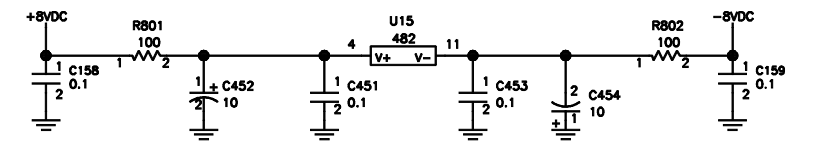
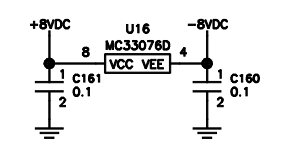
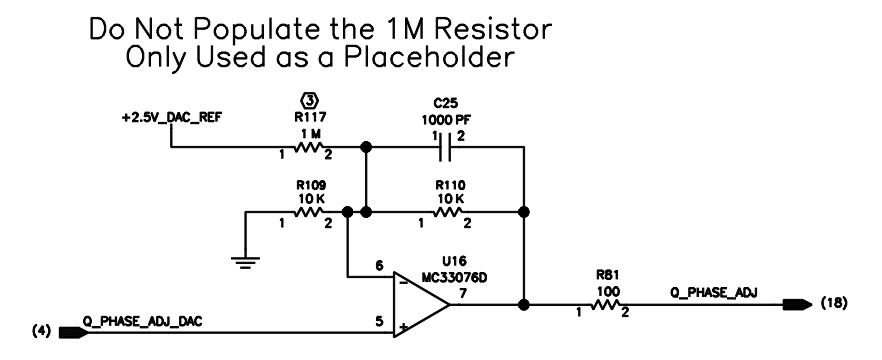
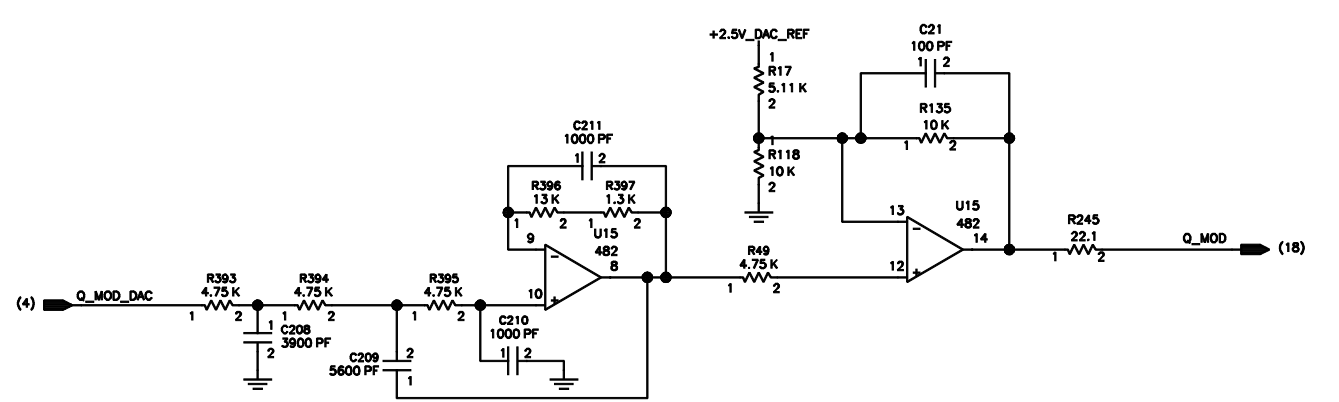
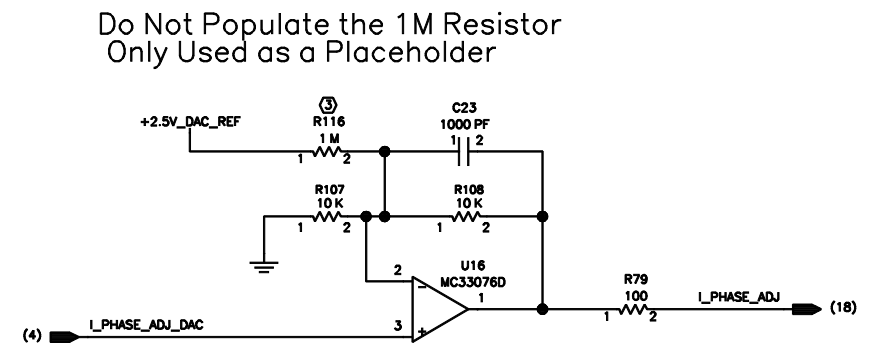
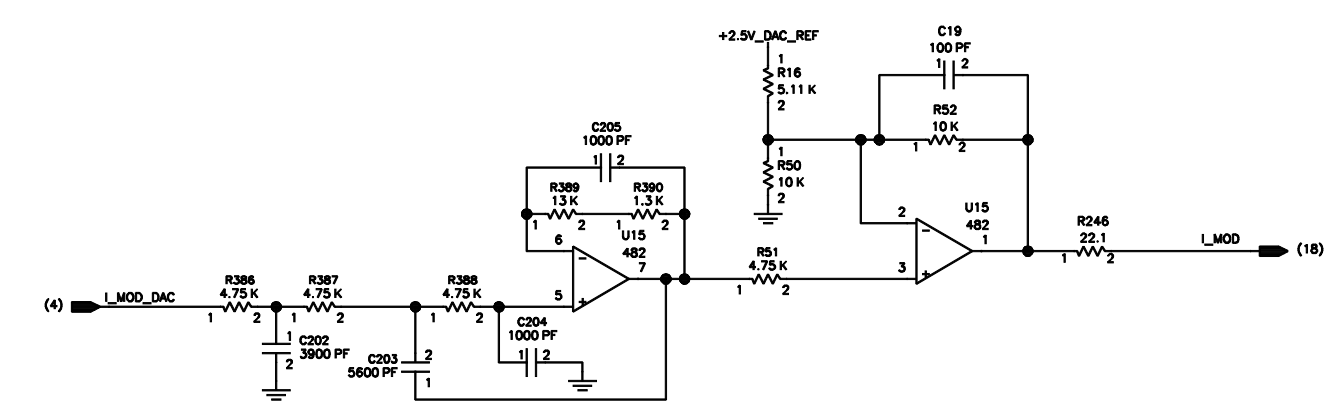
GPS SYNC RECEIVER

THIS DRAWING IS CREATED FROM DIGITAL DATA

ROCKWELL COLLINS
PROPRIETARY INFORMATION.

SIZE	CAGE CODE	DWG NO.	REV LTR
D	4V792	828-8587-002	E
SCALE	NONE		SHEET 12

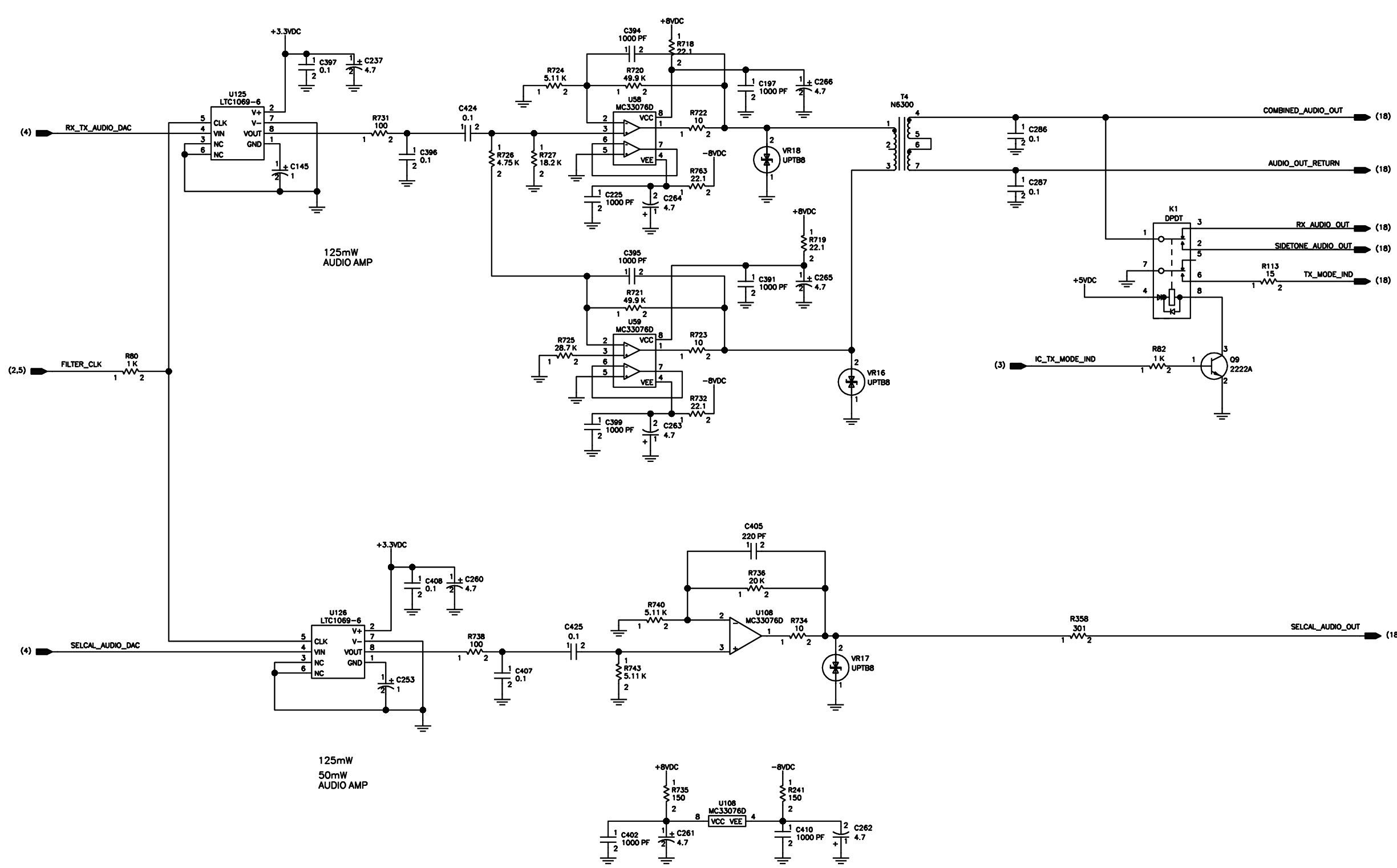
THIS DRAWING CREATED FROM DIGITAL DATA



THIS DRAWING IS CREATED FROM DIGITAL DATA

SIZE	CAGE CODE	DWG NO.	REV LTR
D	4V792	828-8587-002	E
SCALE	NONE		SHEET 13

THIS DRAWING CREATED FROM DIGITAL DATA



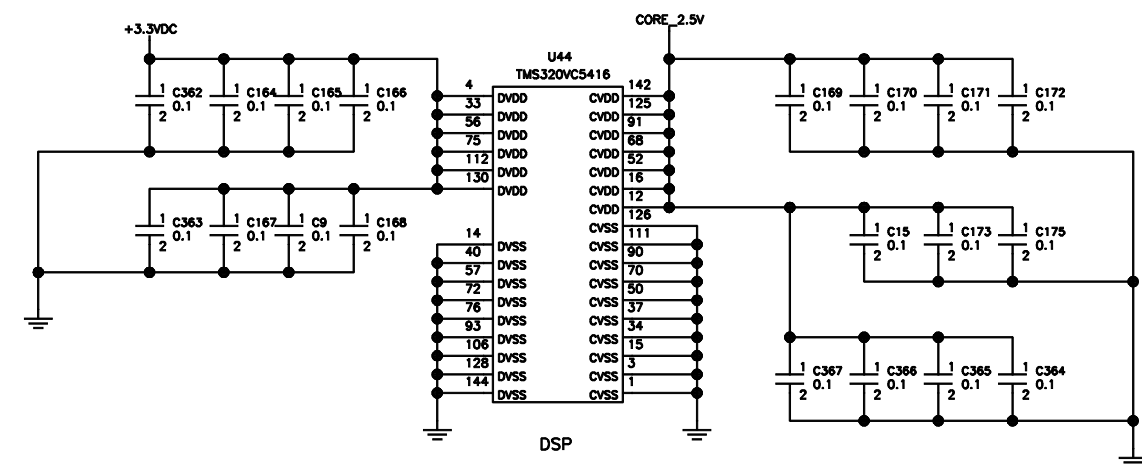
125mW
AUDIO AMP

125mW
50mW
AUDIO AMP

THIS DRAWING IS CREATED FROM DIGITAL DATA

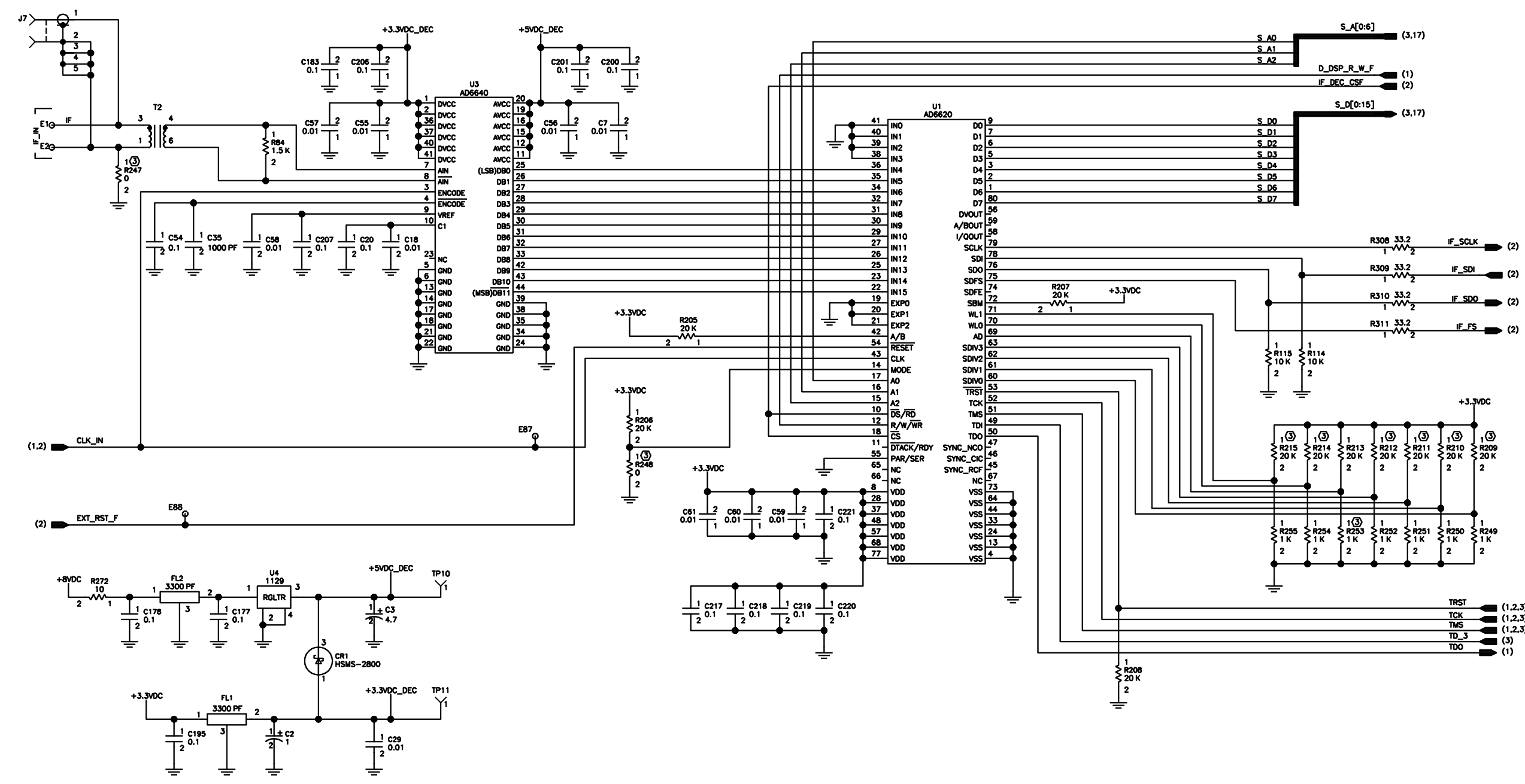
SIZE	CAGE CODE	DWG NO.	REV LTR
D	4V792	828-8587-002	E
SCALE	NONE		SHEET 14

THIS DRAWING CREATED FROM DIGITAL DATA



THIS DRAWING IS CREATED FROM DIGITAL DATA

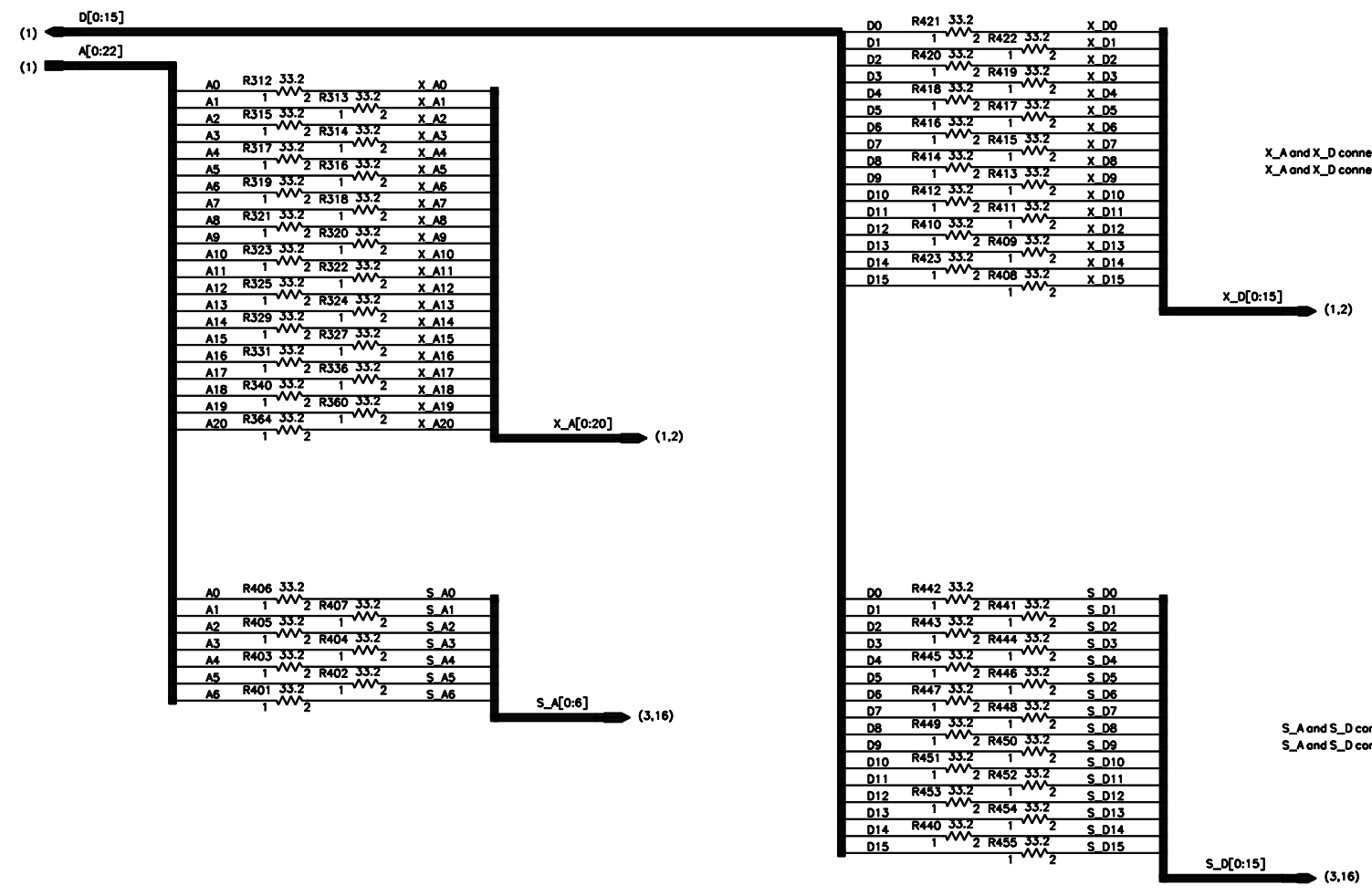
SIZE	CAGE CODE	DWG NO.	REV LTR
D	4V792	828-8587-002	E
SCALE	NONE	SHEET	15



THIS DRAWING IS CREATED FROM DIGITAL DATA

SIZE	CAGE CODE	DWG NO.	REV LTR
D	4V792	828-8587-002	E
SCALE	NONE	SHEET	16

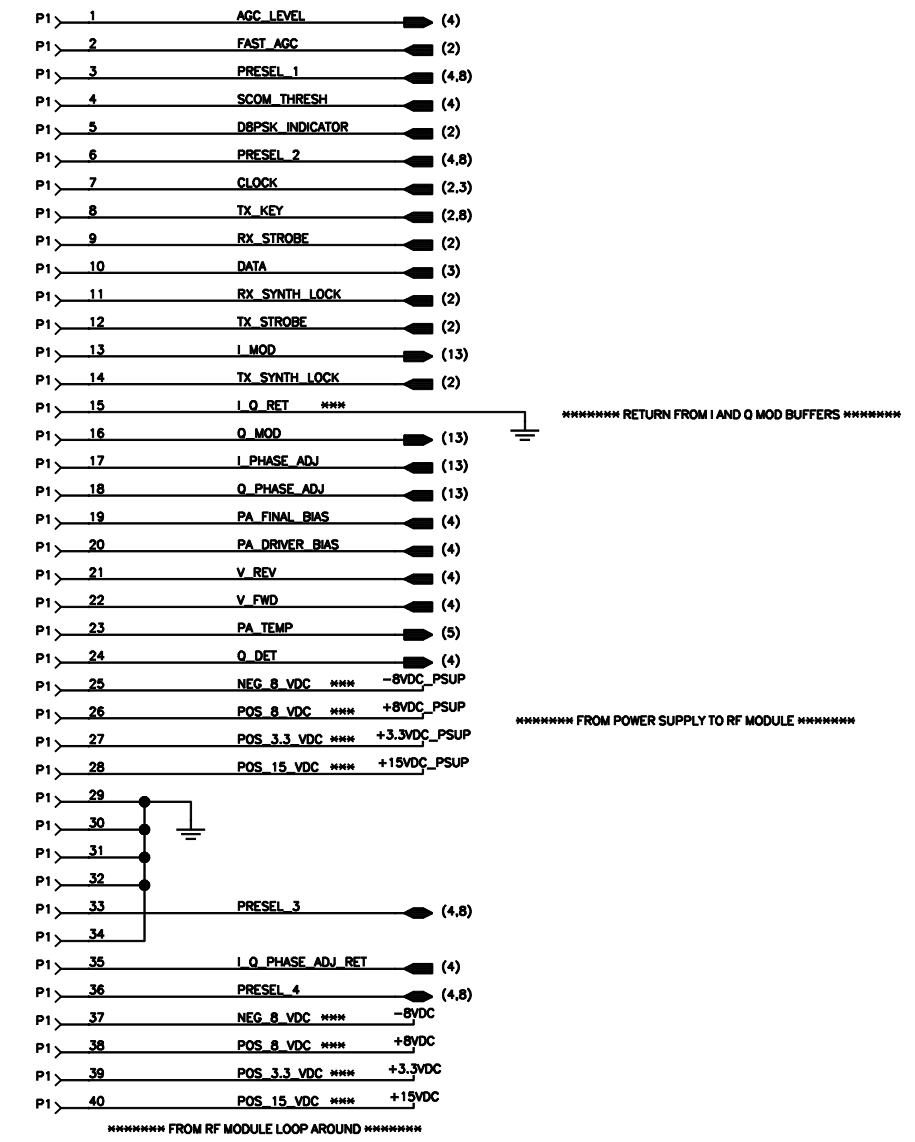
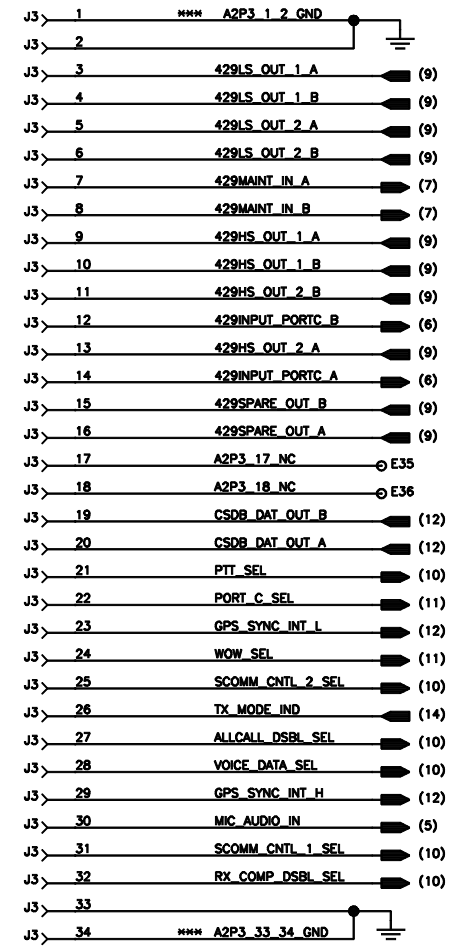
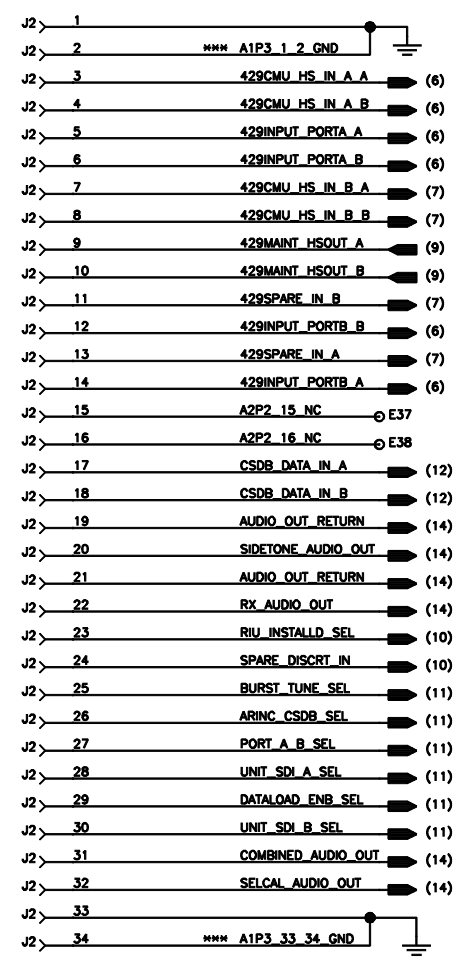
THIS DRAWING CREATED FROM DIGITAL DATA



THIS DRAWING IS CREATED FROM DIGITAL DATA

SIZE	CAGE CODE	DWG NO.	REV LTR
D	4V792	828-8587-002	E
SCALE	NONE		SHEET 17

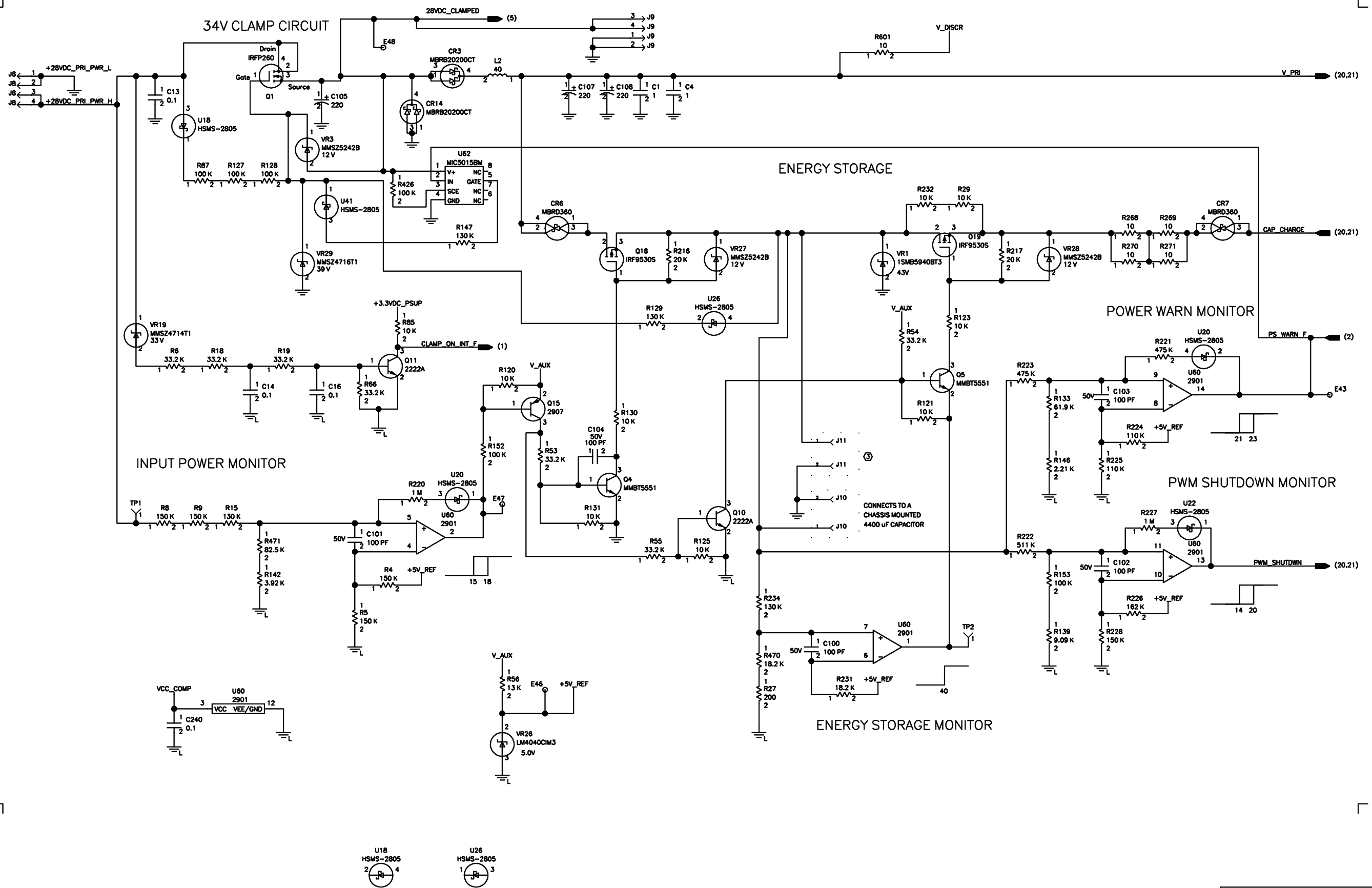
THIS DRAWING CREATED FROM DIGITAL DATA



A2P2 & A2P3 BASED ON INTERCONNECT PIN ASSIGNMENTS V1.4

A2P1 BASED ON RF SCHEMATIC PIN INTERCONNECTS

VHF 4000 POWER SUPPLY



THIS DRAWING IS CREATED FROM DIGITAL DATA

SIZE	CAGE CODE	DWG NO.	REV LTR
D	4V792	828-8587-002	E
SCALE	NONE	SHEET	19

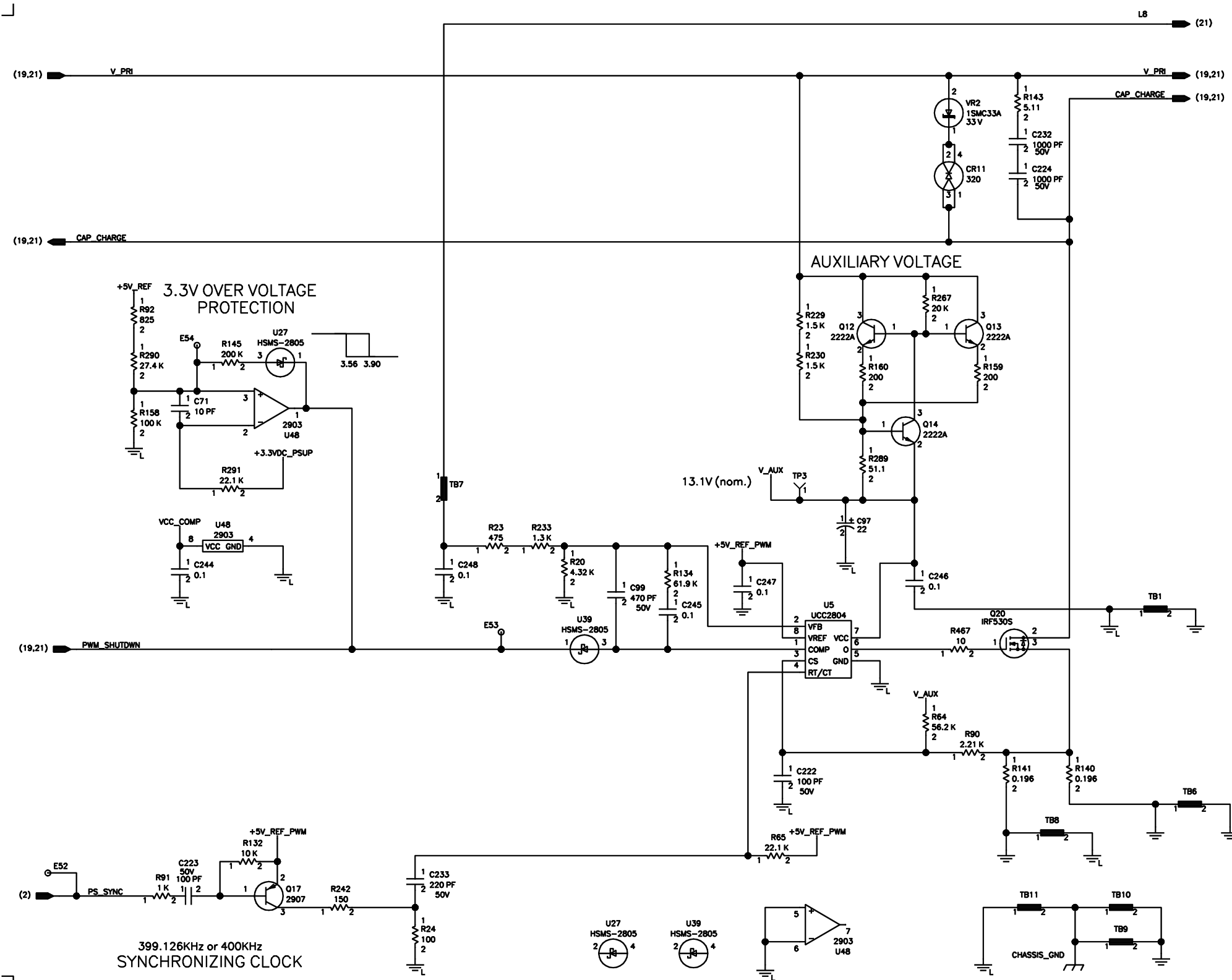
ROCKWELL COLLINS
PROPRIETARY INFORMATION.

Plotted 06/18/01 14:40

design.19

DIGITAL DATA ONLY NO MASTER TRACING

THIS DRAWING IS CREATED FROM DIGITAL DATA

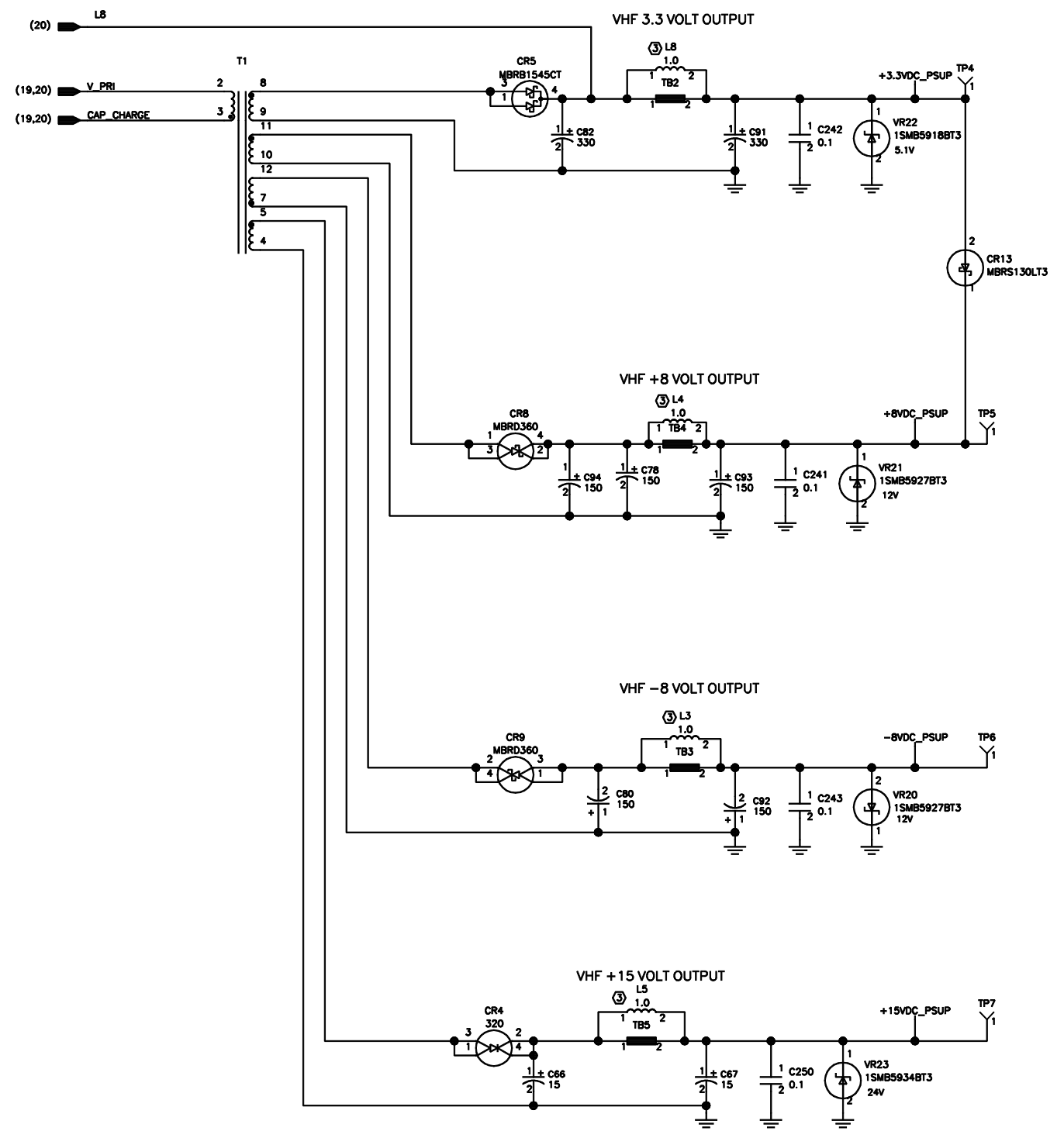
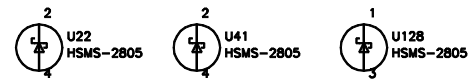
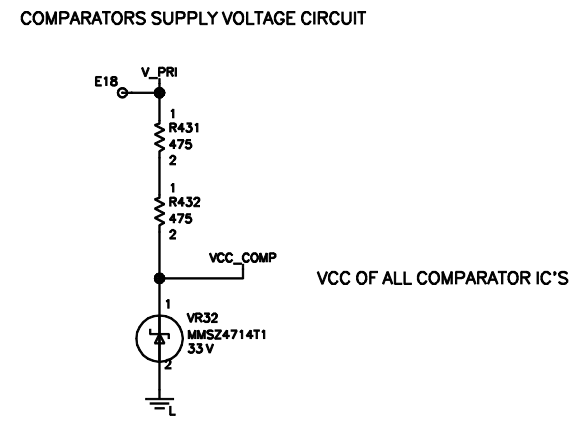
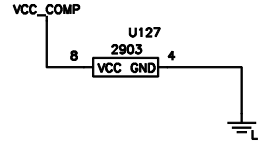
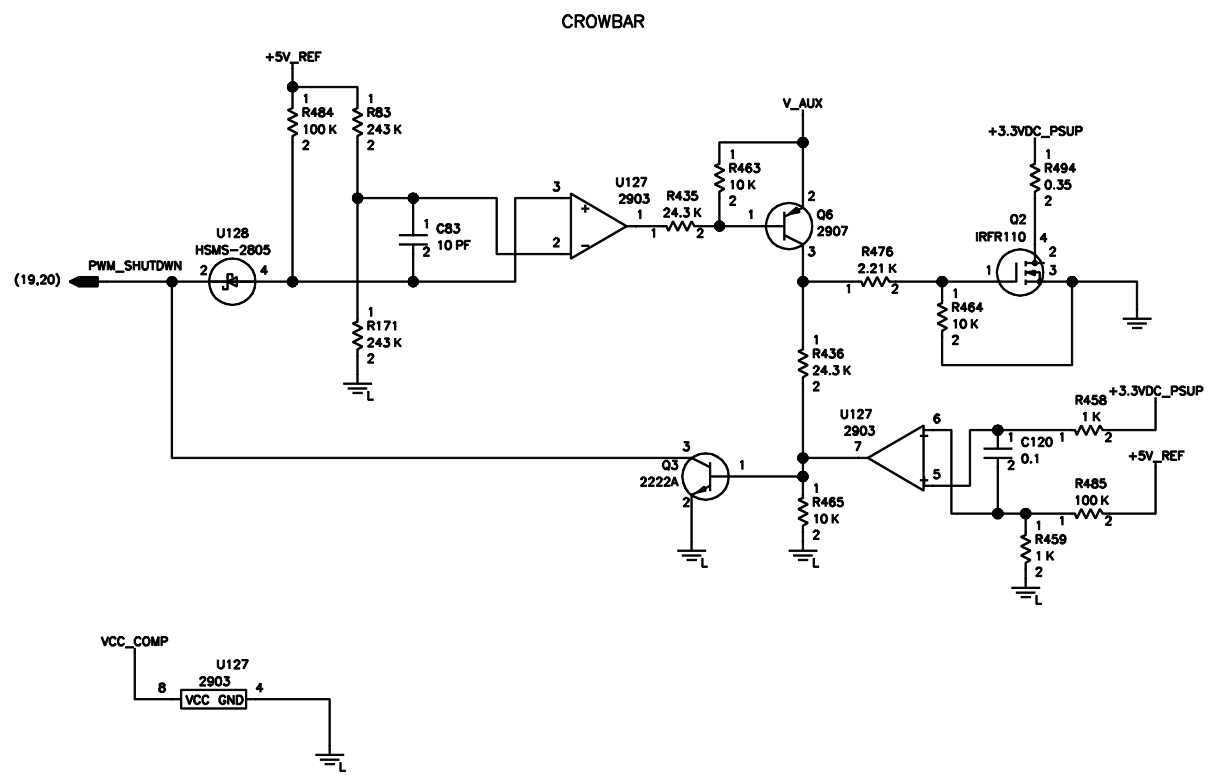


TP8
PLACE ON EDGE OF PCB FOR EASY ACCESS

THIS DRAWING IS CREATED FROM DIGITAL DATA

SIZE	CAGE CODE	DWG NO.	REV LTR
D	4V792	828-8587-002	E
SCALE	NONE		SHEET 20

THIS DRAWING CREATED FROM DIGITAL DATA



THIS DRAWING IS CREATED FROM DIGITAL DATA

SIZE	CAGE CODE	DWG NO.	REV LTR
D	4V792	828-8587-002	E
SCALE	NONE		SHEET 21

Plotted 06/18/01 14:40

design.21

ROCKWELL COLLINS
PROPRIETARY INFORMATION.

THIS DRAWING IS CREATED FROM DIGITAL DATA