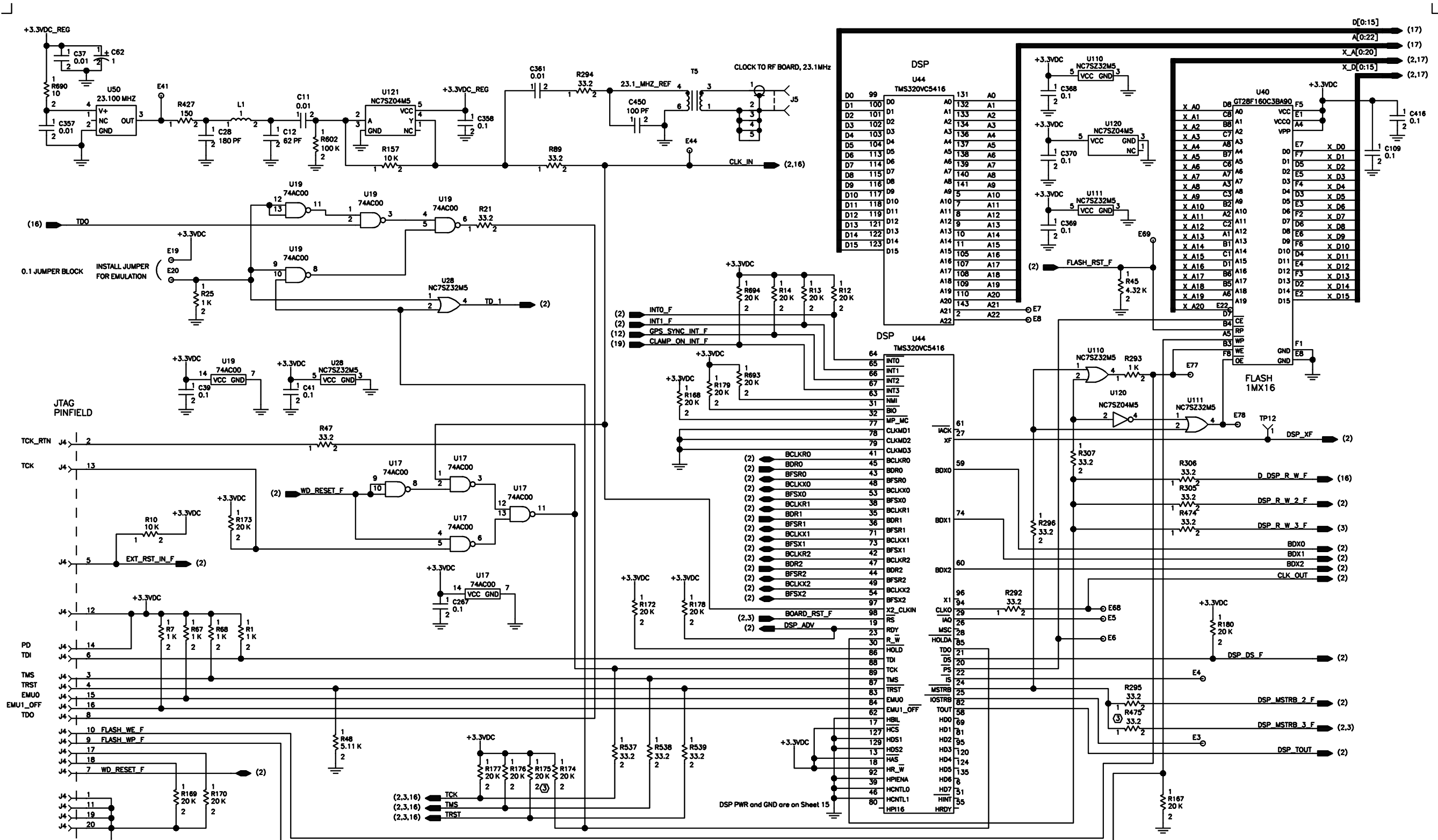


REVISIONS			
LTR	DESCRIPTION	DATE	APVD
D	RL8325	05/14/01	K.H.
E	RL9608	06/18/01	CDP



NOTE:
 ① UNLESS OTHERWISE SPECIFIED, RESISTANCE VALUES ARE IN OHMS, CAPACITANCE VALUES ARE IN MICROFARADS, AND INDUCTANCE VALUES ARE IN MICROHENRYS.
 ② PARTIAL REFERENCE DESIGNATIONS ARE SHOWN; FOR COMPLETE DESIGNATION, PREFIX WITH UNIT AND/OR ASSEMBLY DESIGNATION.
 ③ SHOWN FOR REFERENCE ONLY AND IS NOT INSTALLED ON FINAL ASSEMBLY.
 4.) *** DENOTES COMMENT

THIS DRAWING IS CREATED FROM DIGITAL DATA

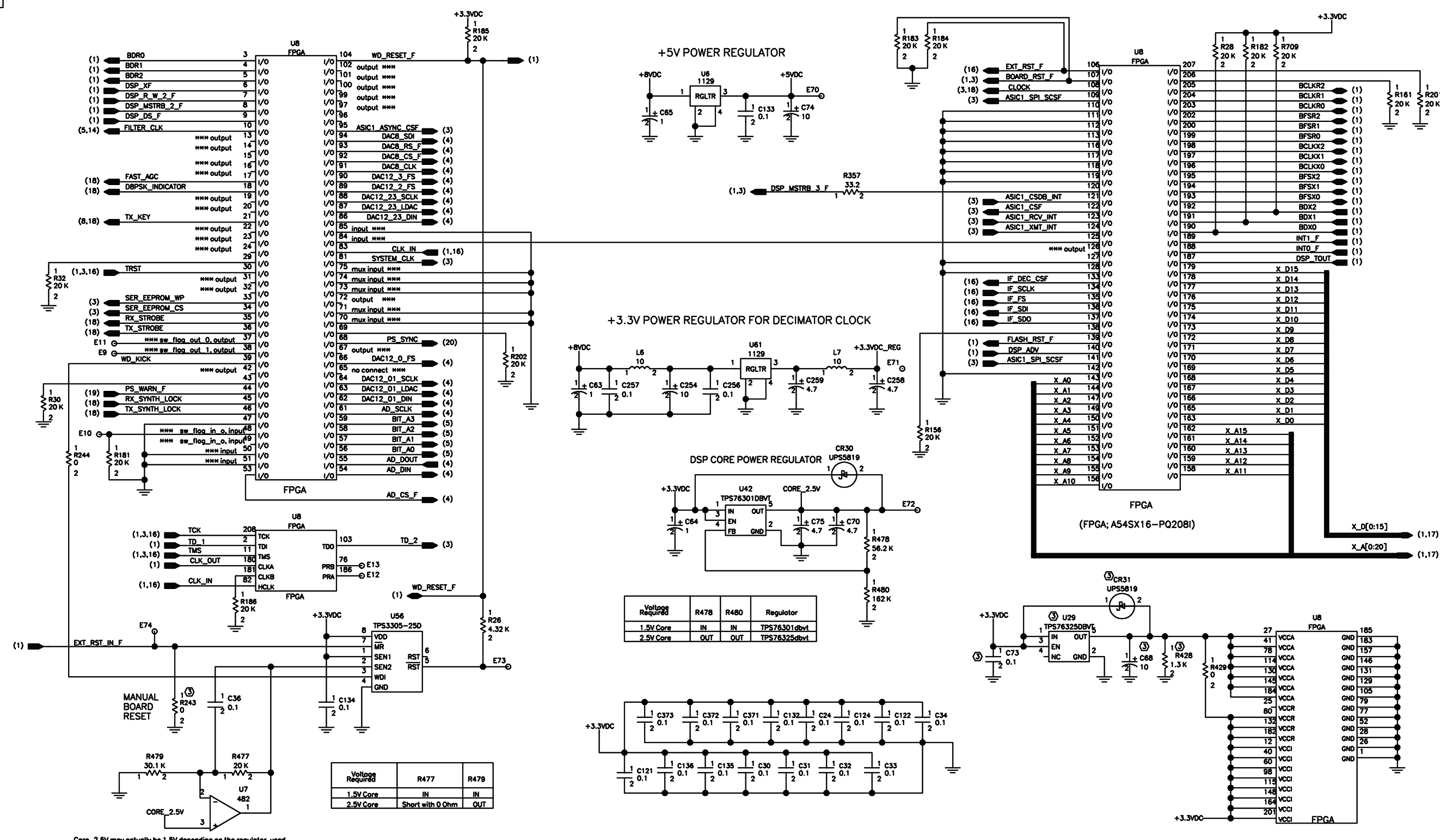
PREP Rodney G Love	ROCKWELL COLLINS, INC 400 COLLINS RD. NE CEDAR RAPIDS, IA 52498		
CHK Richard E. Collet	SCHEMATIC DIAGRAM, DSP/PWR SUPPLY		
ENG APVD K. HAMBY	SIZE D	CAGE CODE 4V792	DWG NO. 828-8587-002
NEXT ASSY PART NO. 828-3187-002	SCALE NONE	EQUIPMENT TYPE NO. VHF-4000	REV LTR E
ROCKWELL COLLINS PROPRIETARY INFORMATION.		SHEET 1 OF 21	

Plotted 06/18/01 14:40

DIGITAL DATA ONLY NO MASTER TRACKING

HP □ REL. □ CR 2 48.0

THIS DRAWING IS CREATED FROM DIGITAL DATA



Voltage Required	R478	R480	Regulator
1.5V Core	IN	IN	TPS76301dbvt
2.5V Core	OUT	OUT	TPS76325dbvt

Voltage Required	R477	R479
1.5V Core	IN	IN
2.5V Core	Short with 0 Ohm	OUT

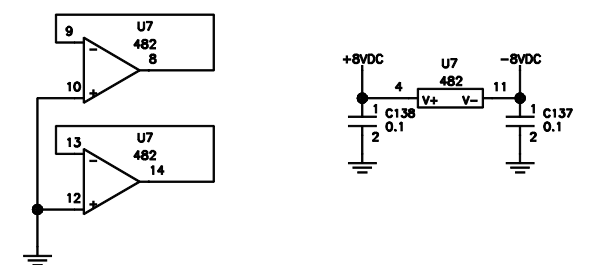
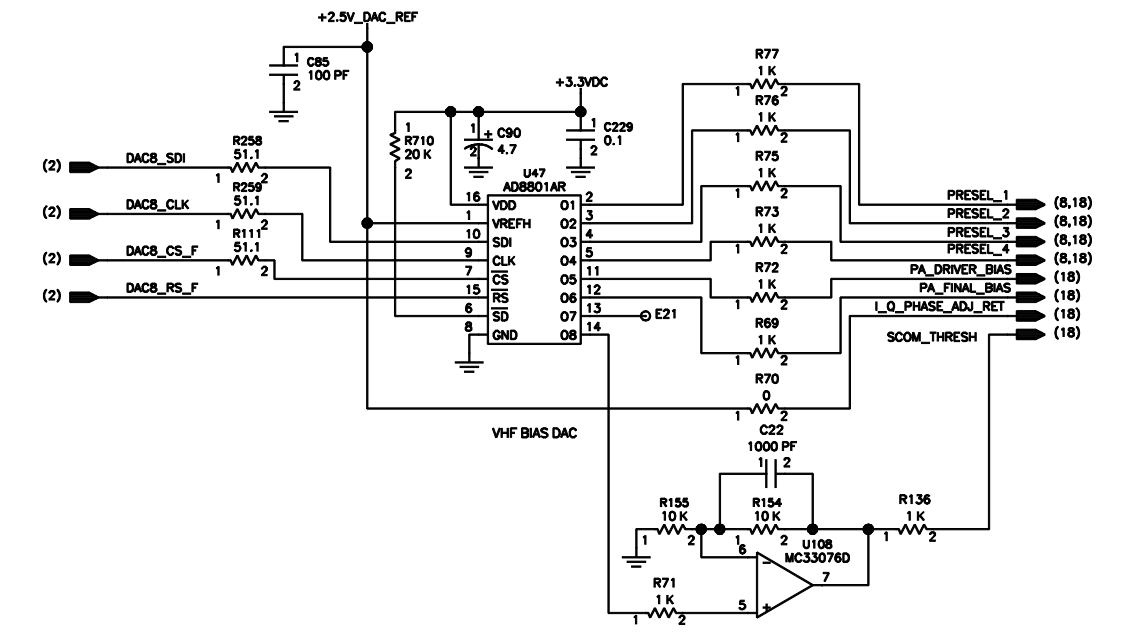
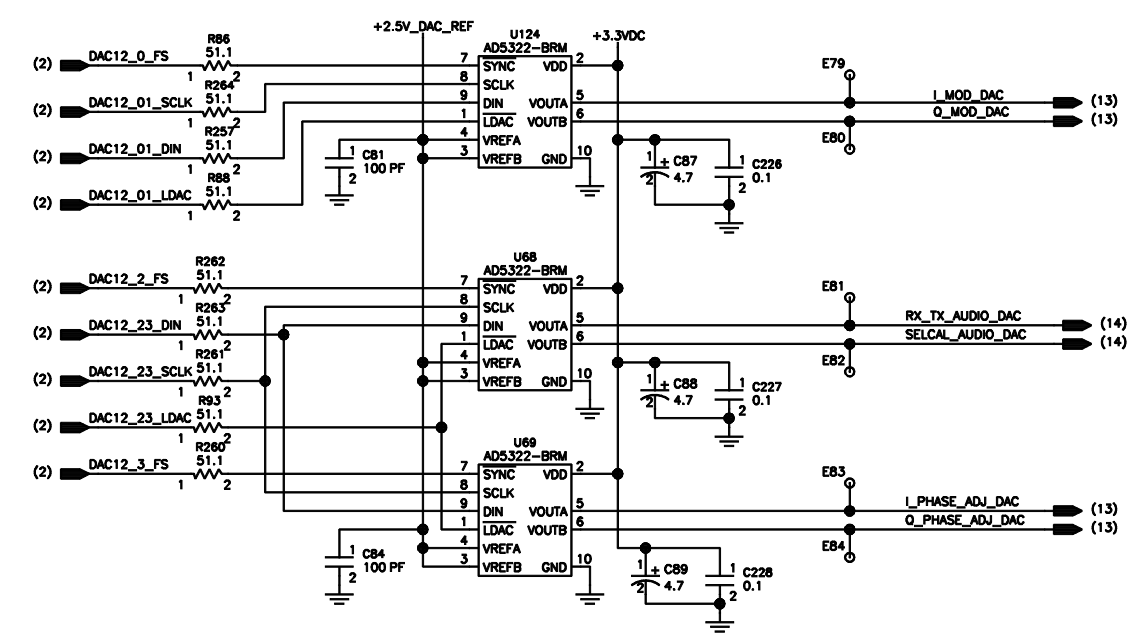
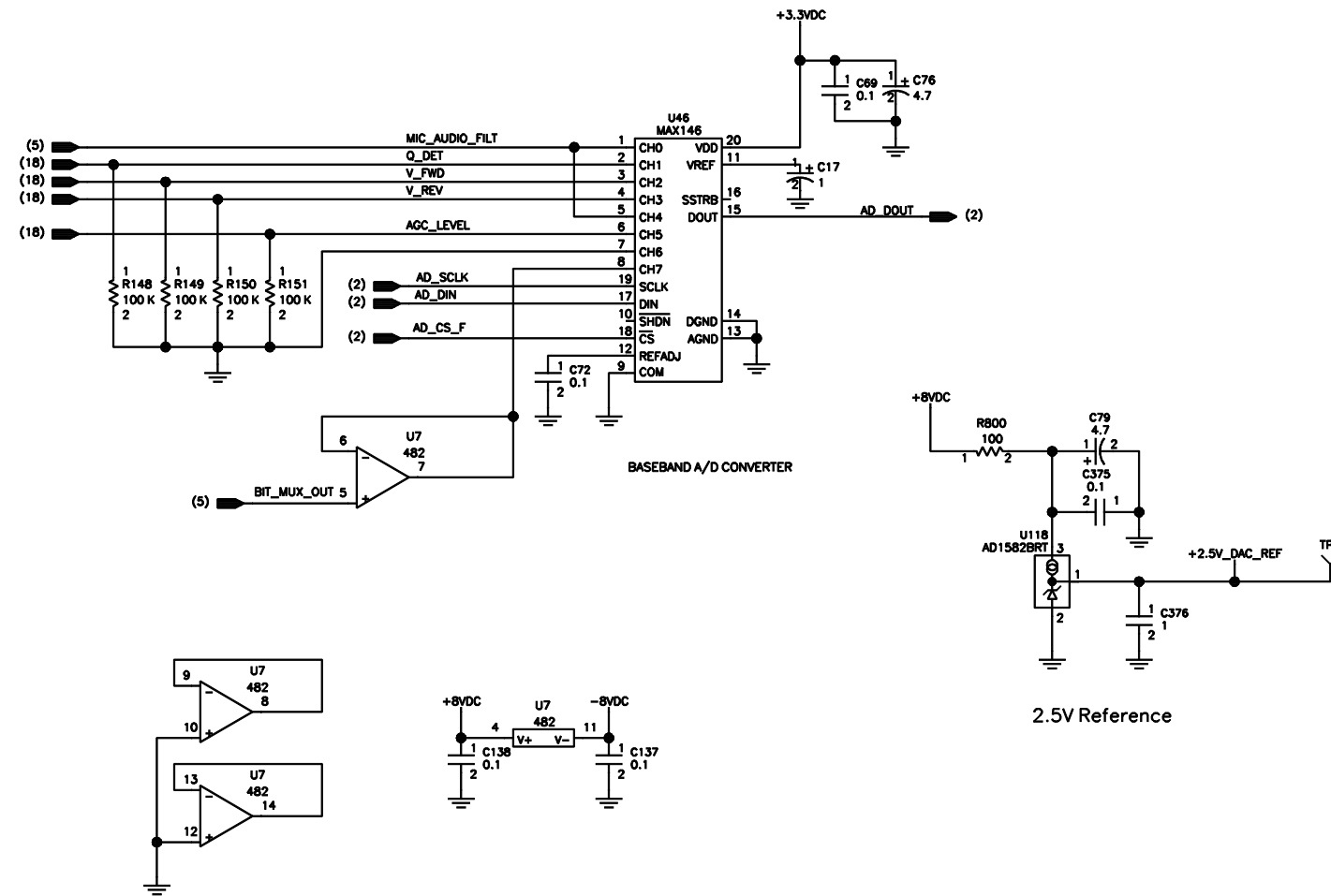
Core_2.5V may actually be 1.5V depending on the regulator used

THIS DRAWING IS CREATED FROM DIGITAL DATA

ROCKWELL COLLINS
PROPRIETARY INFORMATION.

SIZE	CAGE CODE	DWG NO.	REV LTR
D	4V792	828-8587-002	E
SCALE	NONE	SHEET	2

THIS DRAWING IS CREATED FROM DIGITAL DATA



2.5V Reference

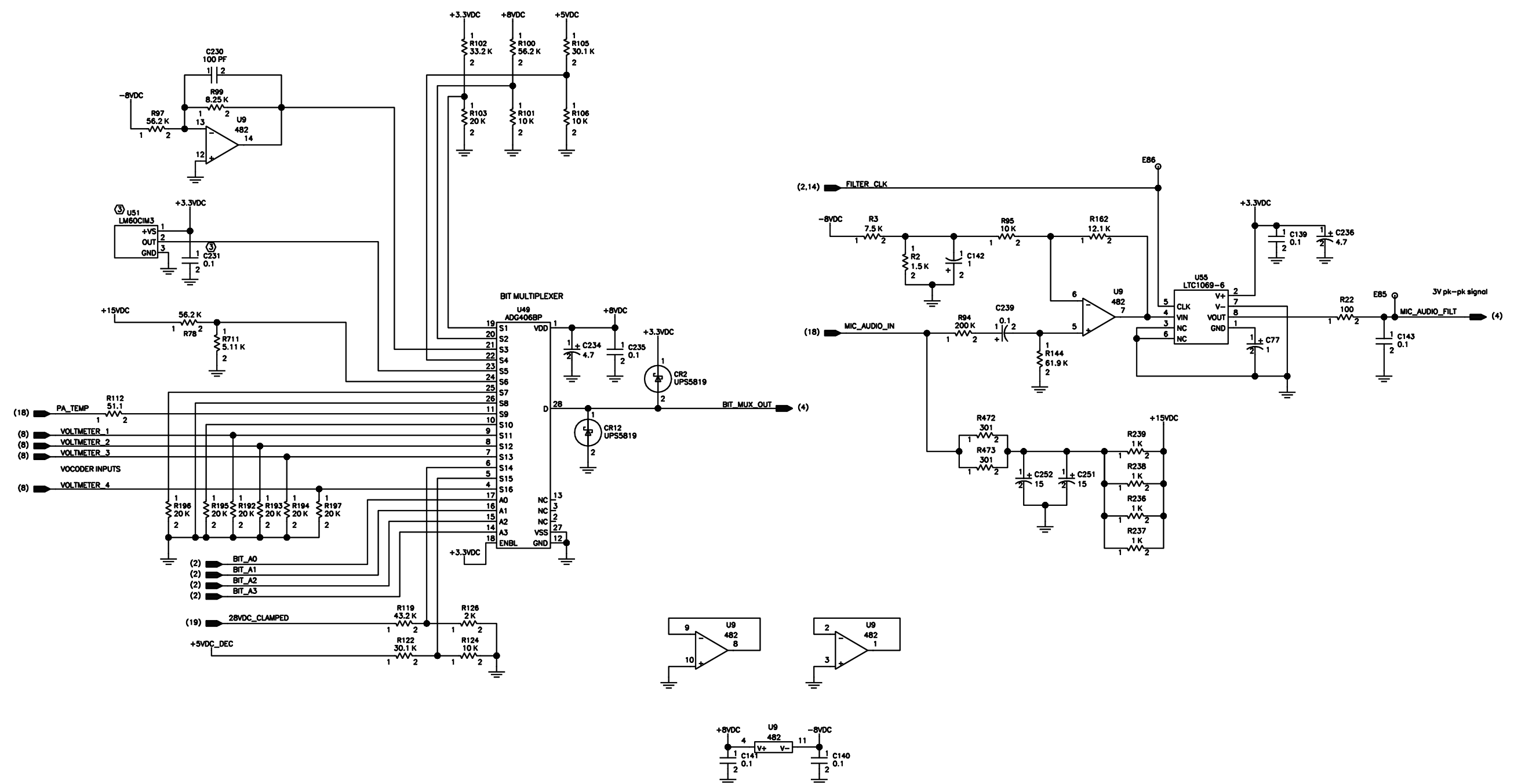
THIS DRAWING IS CREATED FROM DIGITAL DATA

SIZE	CAGE CODE	DWG NO.	REV LTR
D	4V792	828-8587-002	E
SCALE	NONE	SHEET	4

Plotted 06/18/01 14:40

ROCKWELL COLLINS
PROPRIETARY INFORMATION.

THIS DRAWING CREATED FROM DIGITAL DATA

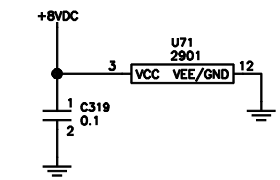
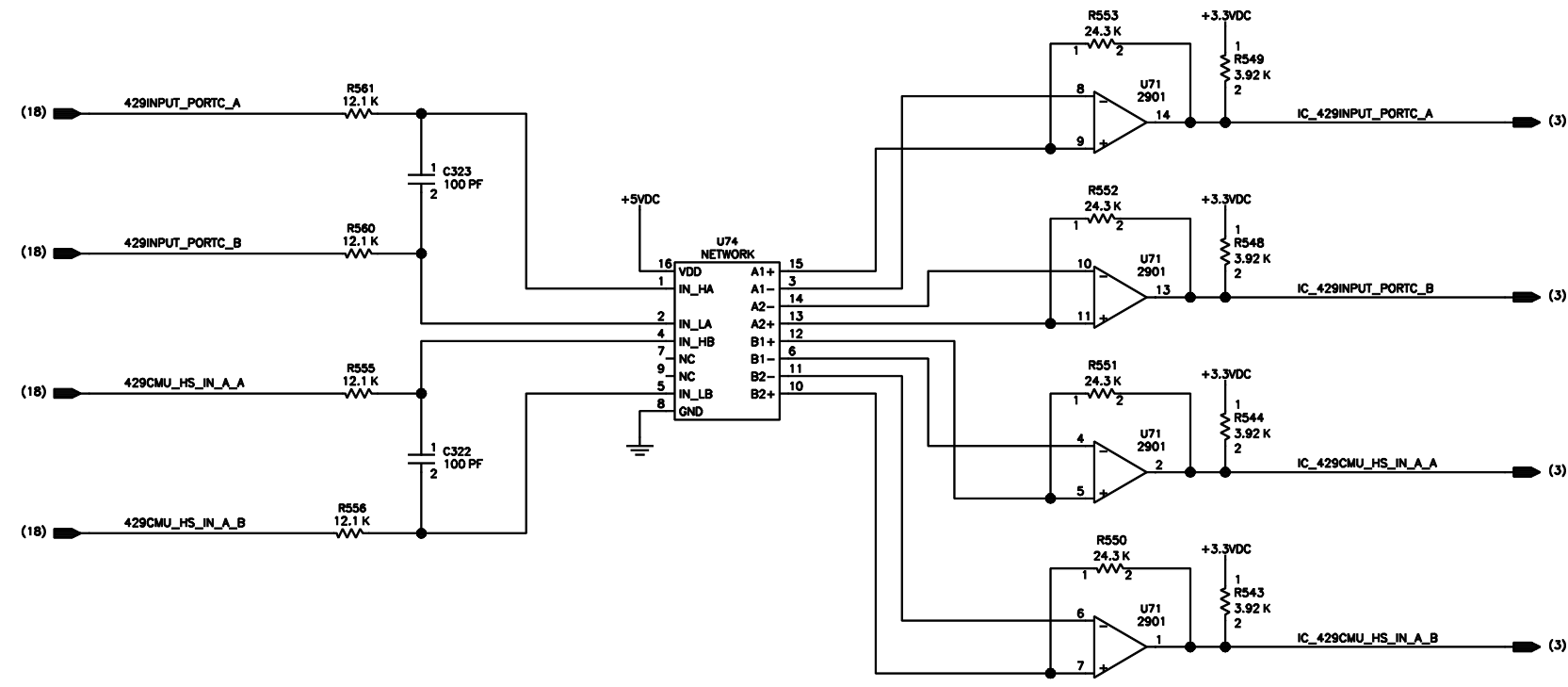
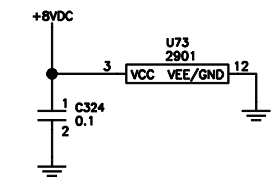
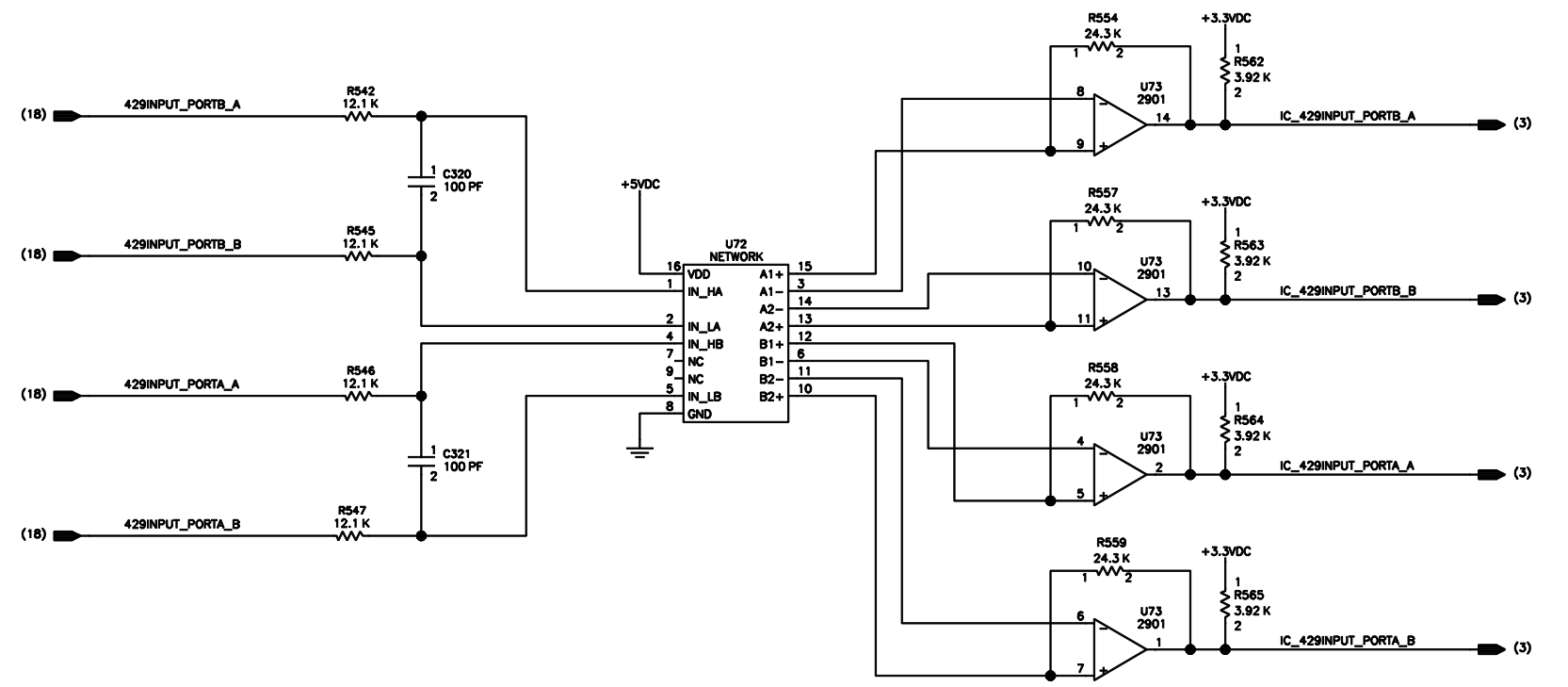


THIS DRAWING IS CREATED FROM DIGITAL DATA

SIZE	CAGE CODE	DWG NO.	REV LTR
D	4V792	828-8587-002	E
SCALE	NONE		SHEET 5

ROCKWELL COLLINS
PROPRIETARY INFORMATION.

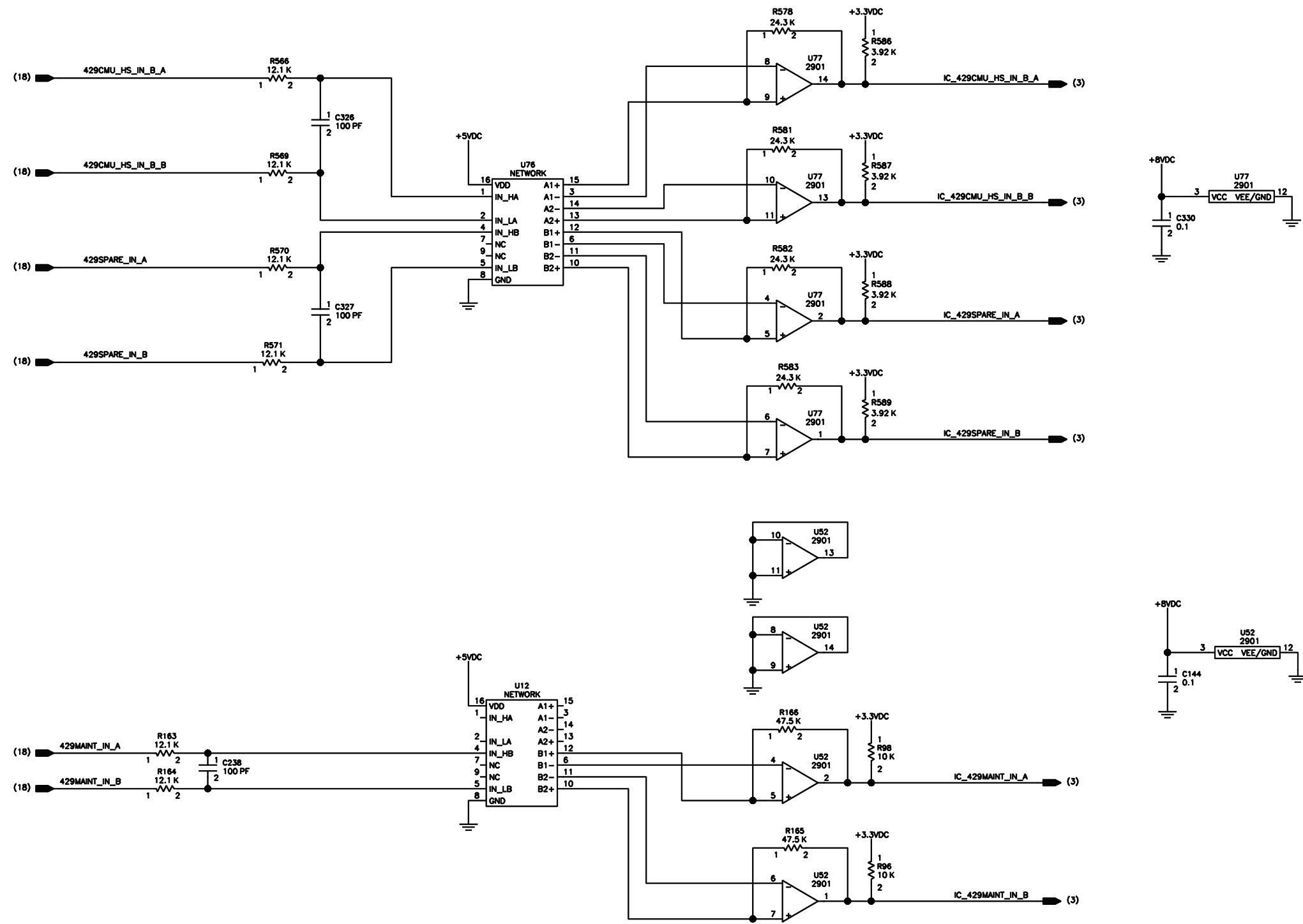
THIS DRAWING CREATED FROM DIGITAL DATA



THIS DRAWING IS CREATED FROM DIGITAL DATA

SIZE	CAGE CODE	DWG NO.	REV LTR
D	4V792	828-8587-002	E
SCALE	NONE	SHEET	6

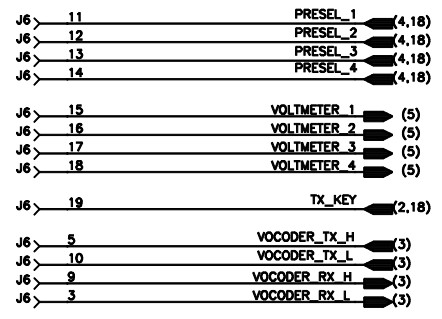
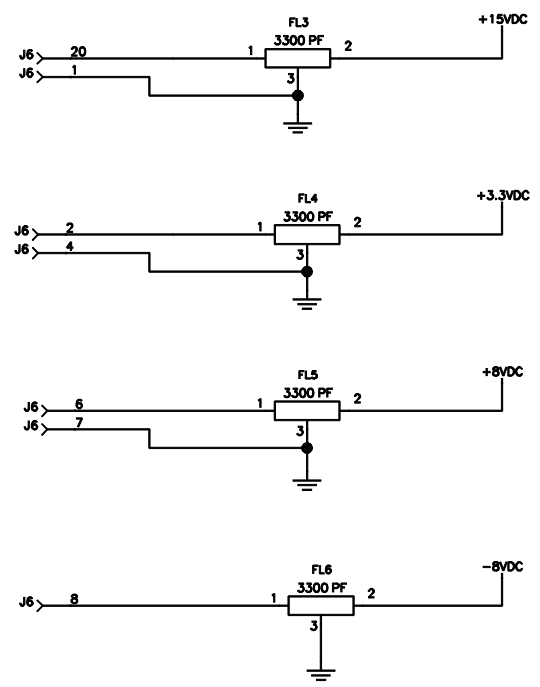
THIS DRAWING CREATED FROM DIGITAL DATA



THIS DRAWING IS CREATED FROM DIGITAL DATA

SIZE	CAGE CODE	DWG NO.	REV LTR
D	4V792	828-8587-002	E
SCALE	NONE	SHEET	7

THIS DRAWING IS CREATED FROM DIGITAL DATA



VOCODER PIN FIELD

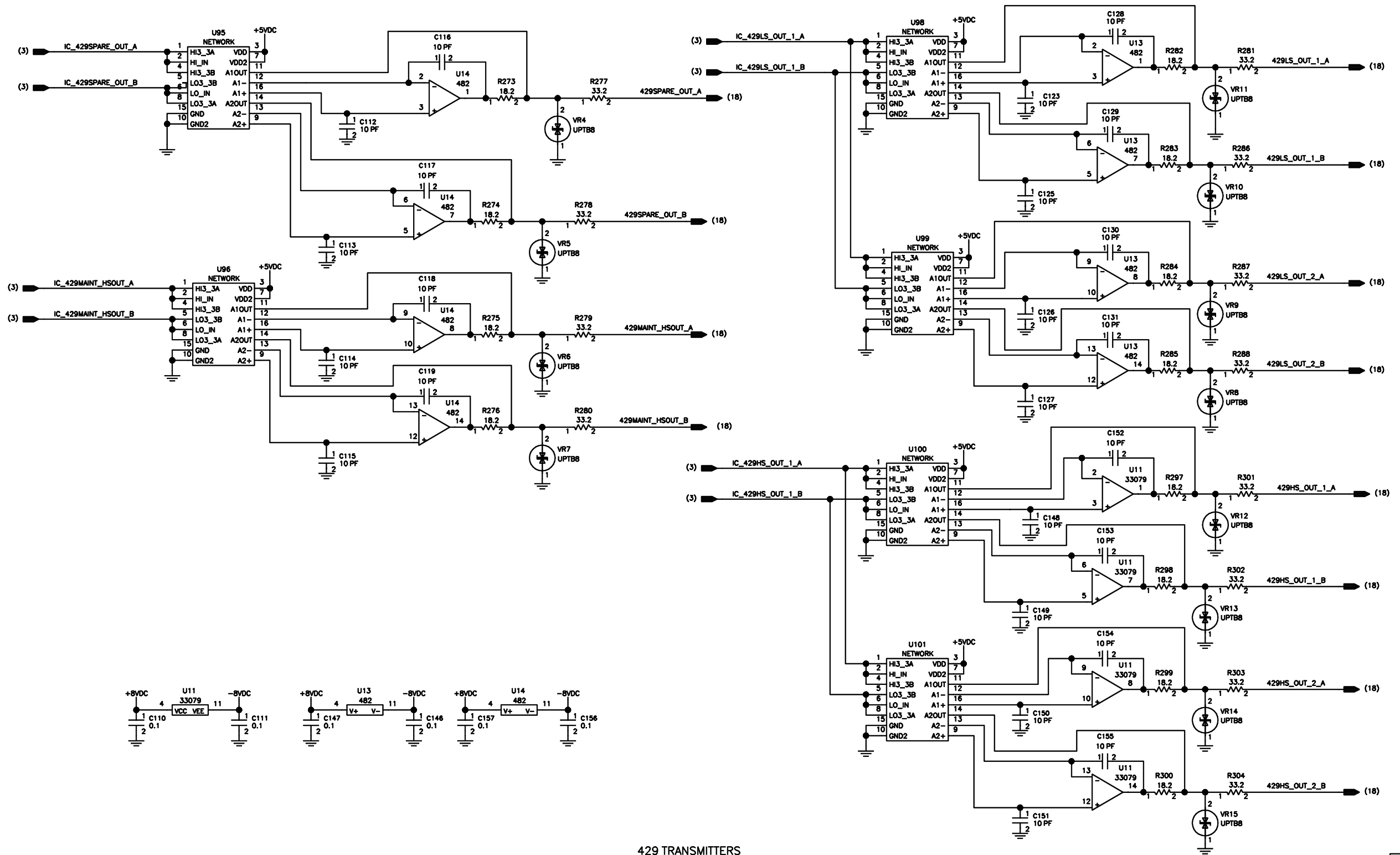
THIS DRAWING IS CREATED FROM DIGITAL DATA

SIZE	CAGE CODE	DWG NO.	REV LTR
D	4V792	828-8587-002	E
SCALE	NONE	SHEET	8

Plotted 06/18/01 14:40

DIGITAL DATA ONLY NO MASTER TRACING

THIS DRAWING CREATED FROM DIGITAL DATA



429 TRANSMITTERS

THIS DRAWING IS CREATED FROM DIGITAL DATA

SIZE	CAGE CODE	DWG NO.	REV LTR
D	4V792	828-8587-002	E
SCALE	NONE	SHEET	9

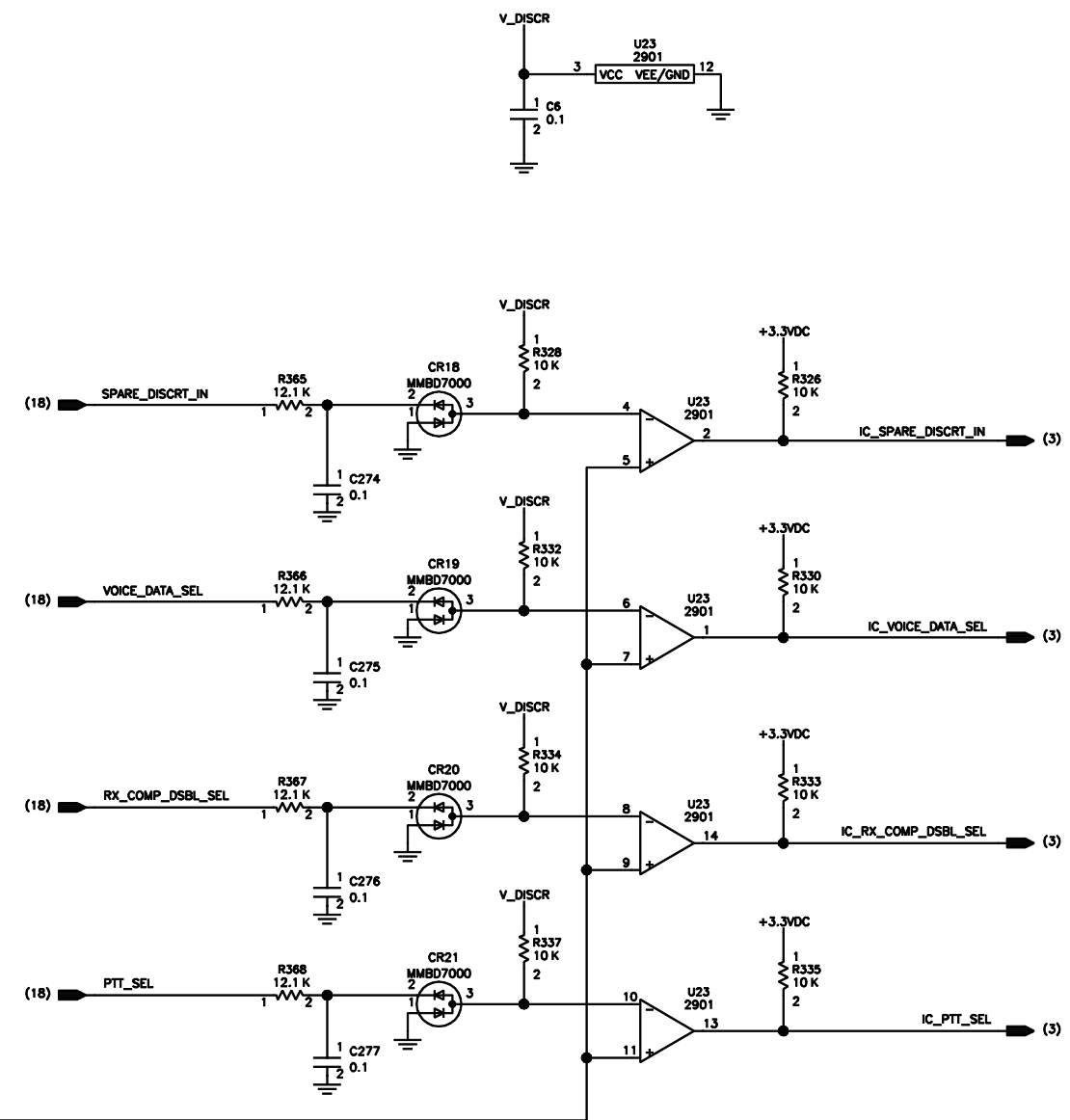
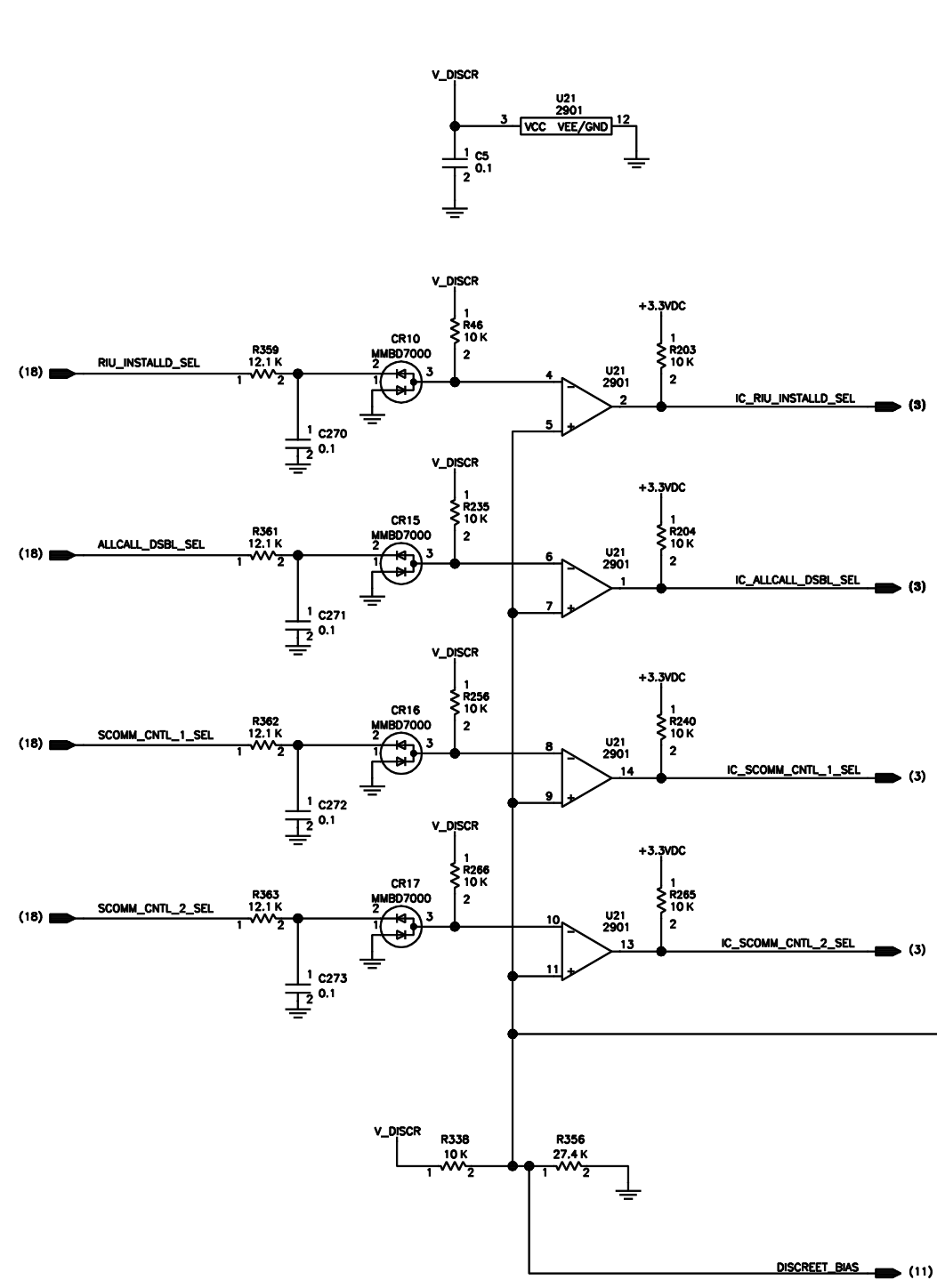
ROCKWELL COLLINS
PROPRIETARY INFORMATION.

Plotted 06/18/01 14:40

DIGITAL DATA ONLY NO MASTER TRACING

design.9

THIS DRAWING CREATED FROM DIGITAL DATA



DISCRETE INPUTS

SIZE	CAGE CODE	DWG NO.	REV LTR
D	4V792	828-8587-002	E
SCALE	NONE	SHEET	10