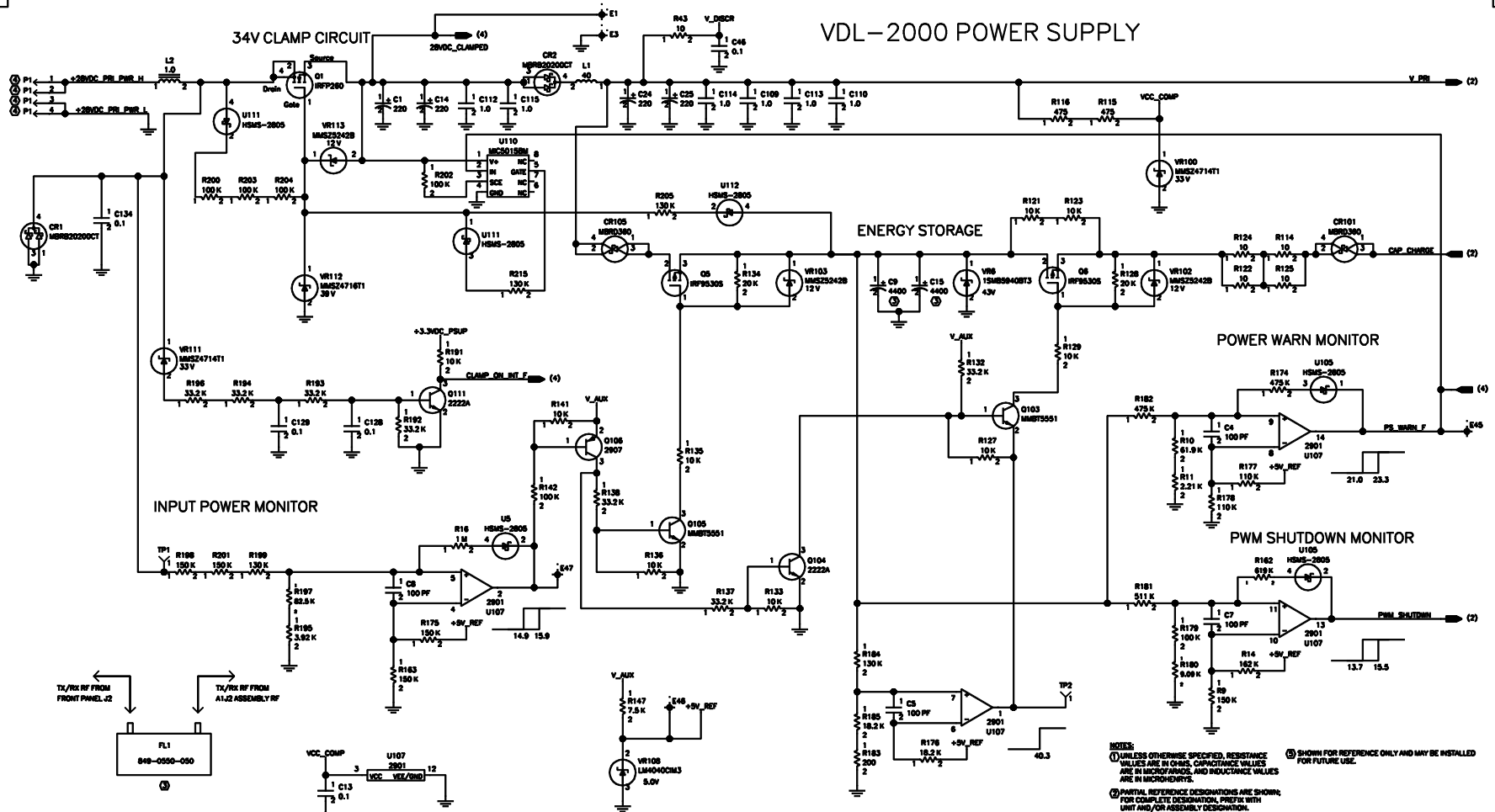


REV	DESCRIPTION	DATE	APP

VDL-2000 POWER SUPPLY



- NOTES:**
- ① UNLESS OTHERWISE SPECIFIED, RESISTANCE VALUES ARE IN OHMS, CAPACITANCE VALUES ARE IN MICROFARADS, AND INDUCTANCE VALUES ARE IN MICROHENRYS.
 - ② PARTIAL REFERENCE DESIGNATIONS ARE SHOWN FOR COMPLETE DESIGNATION, PREFIX WITH UNIT AND/OR ASSEMBLY DESIGNATION.
 - ③ SHOWN FOR REFERENCE ONLY AND IS INSTALLED AT A HIGHER ASSEMBLY.
 - ④ SHOWN FOR REFERENCE ONLY AND IS NOT INSTALLED ON ASSEMBLY.
 - ⑤ SHOWN FOR REFERENCE ONLY AND MAY BE INSTALLED FOR FUTURE USE.

THIS DRAWING IS CREATED FROM DIGITAL DATA

ROCKWELL COLLINS
PROPRIETARY INFORMATION.

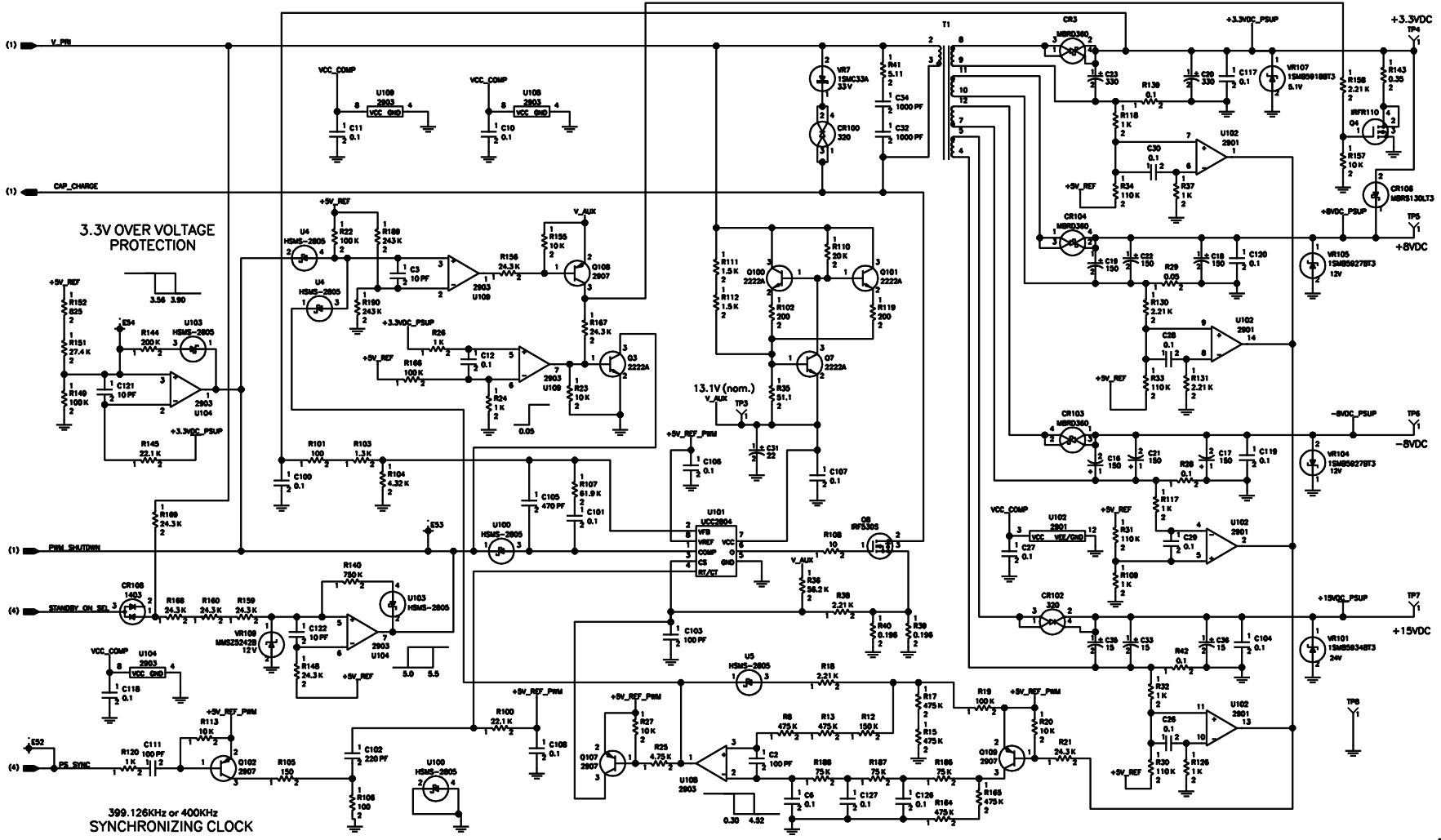
PREP Richard E. Collet	ROCKWELL COLLINS, INC 400 COLLINS RD. NE CEDAR RAPIDS, IA 52498		
CHKD A. C. Mojibbo	SCHEMATIC DIAGRAM, POWER SUPPLY		
DESIGNED B. WALL	REV D	QDC CODE 4V792	ISSUE NO. 828-8713-002
DATE REVISION 828-3313-002	WORKSHEET NO. NONE	PAGE 1 OF 4	

design.1

Plotted 09/11/01 14:12

DATEL DATA ONLY NO OTHER TRACING

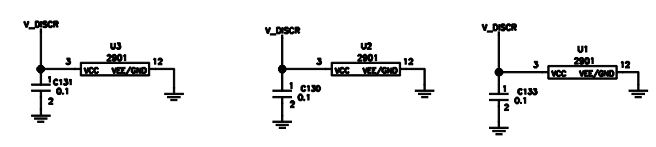
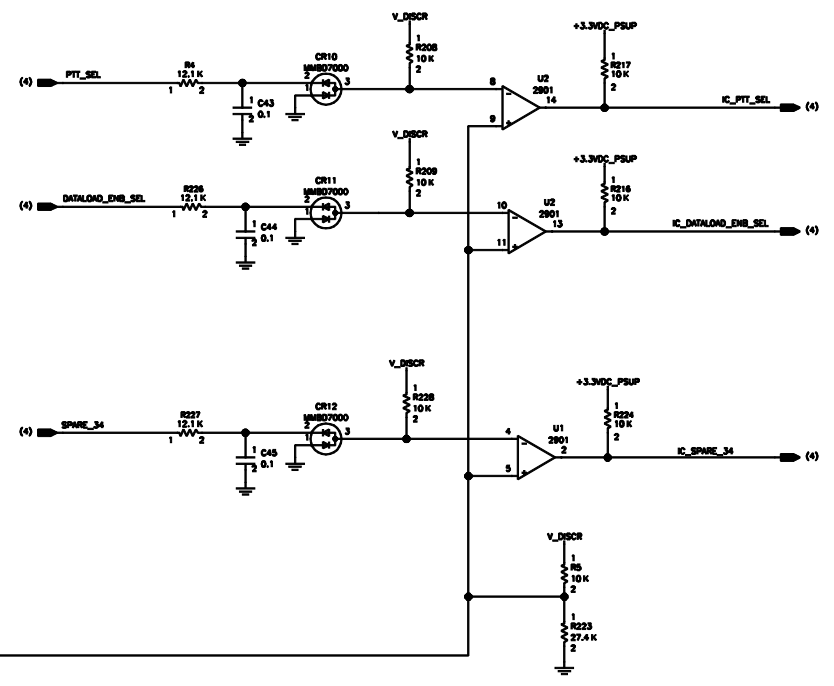
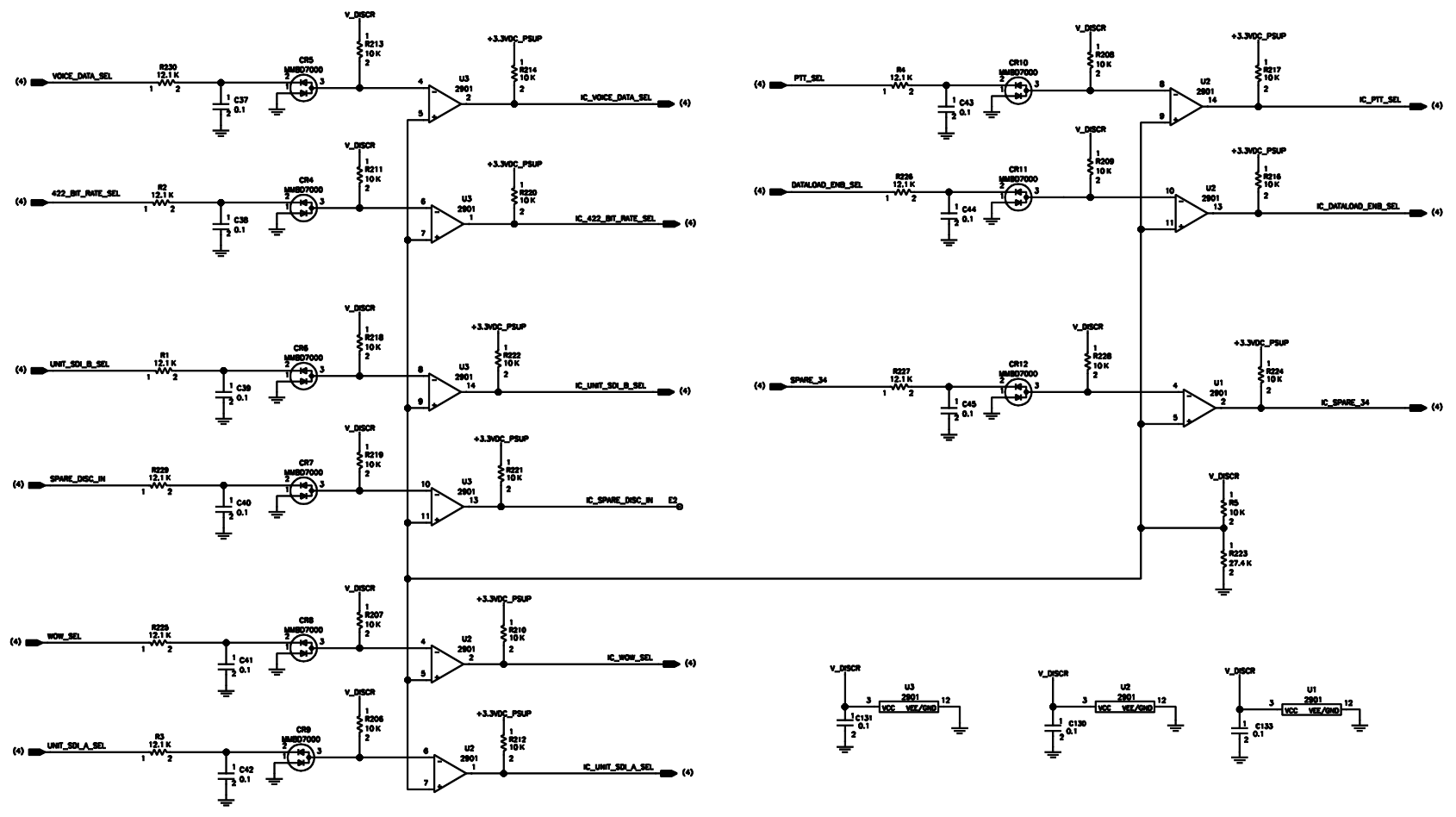
ms 2 2 2



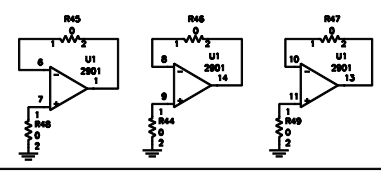
THIS DRAWING IS CREATED FROM DIGITAL DATA

REV	CHG CODE	ISSUED	REASON
D	4V792	828-8713-002	-
DATE	None	Sheet	2

THIS DRAWING IS CREATED FROM DIGITAL DATA



DISCRETE INPUTS



THIS DRAWING IS CREATED FROM DIGITAL DATA

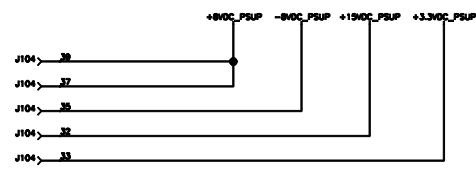
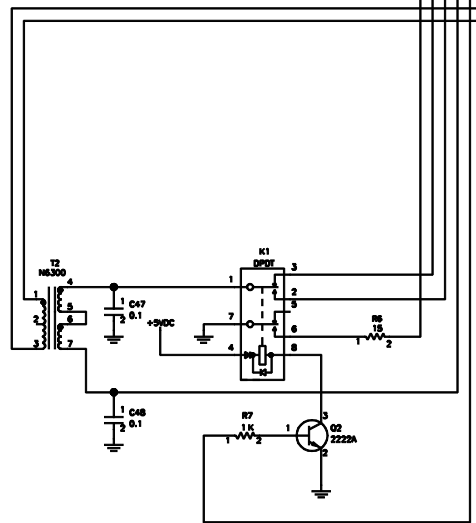
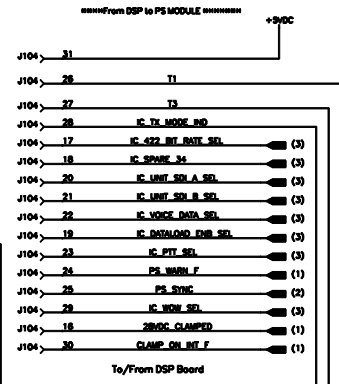
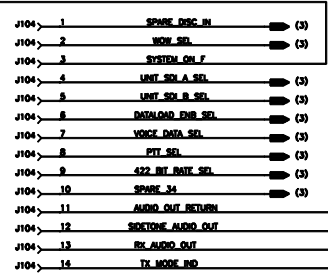
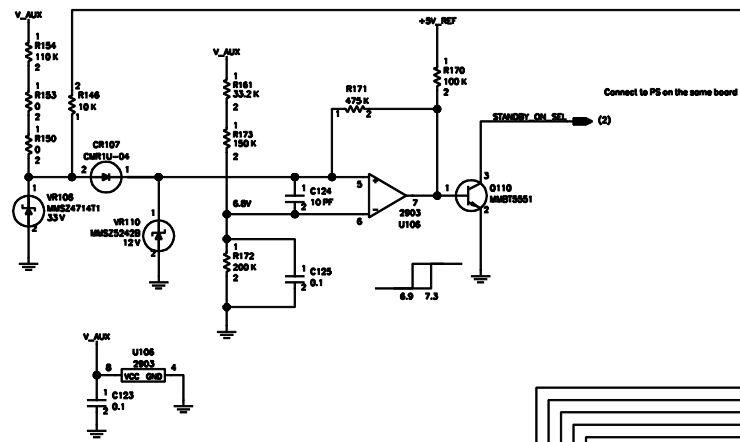
design.3

Plotted 09/11/01 14:12

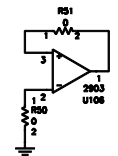
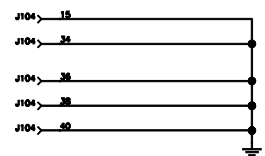
ROCKWELL COLLINS
PROPRIETARY INFORMATION.

REV	CHK CODE	ISSUE	REVISION
D	4V792	828-8713-002	-
DATE	NONE	DATE	3

DATE: 09/11/01



FROM POWER SUPPLY TO DSP MODULE



THIS DRAWING IS CREATED FROM DIGITAL DATA

REV	CHK CODE	ISSUE	REVISION
D	4V792	828-8713-002	-
WAVE	NONE		SHEET 4