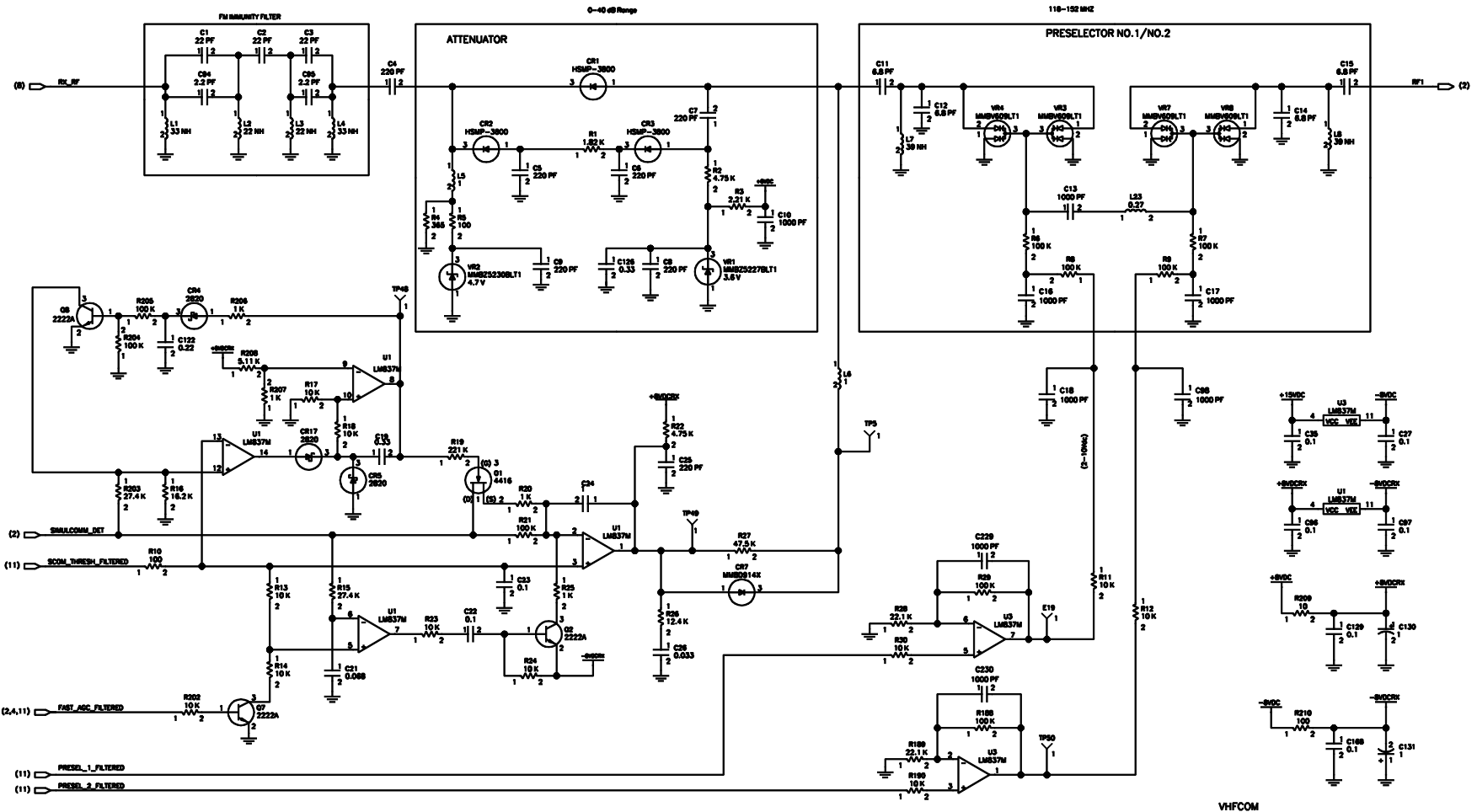


REV	DESCRIPTION	DATE	APP'D



THIS DRAWING IS CREATED FROM DIGITAL DATA

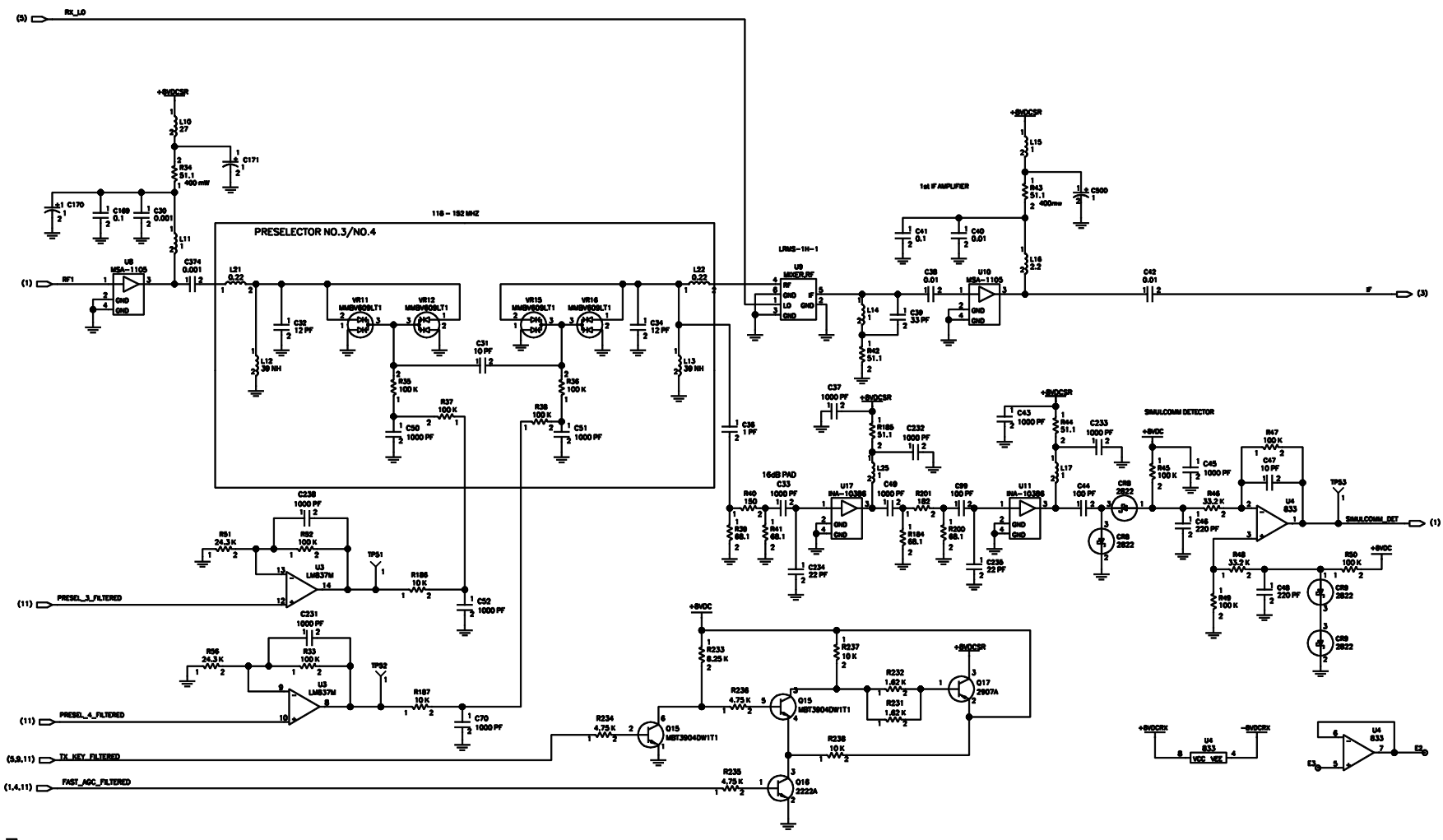
design.1

ROCKWELL COLLINS
 PROPRIETARY INFORMATION.

Plotted 09/04/01 08:39

PREP Robert A. Rogers CHKD A. C. Mojzilo ENLARGED J. BLAHA DATE AND TIME 828-3310-003 EQUIPMENT TYPE NO. VDL-2000	ROCKWELL COLLINS, INC 400 COLLINS RD. NE CEDAR RAPIDS, IA 52498 SCHEMATIC DIAGRAM, A1 XMTR/RF SIZE D 4V792 PART NO. 828-8710-003 SHEET 1 OF 11
--	---

ms. 2 of 2



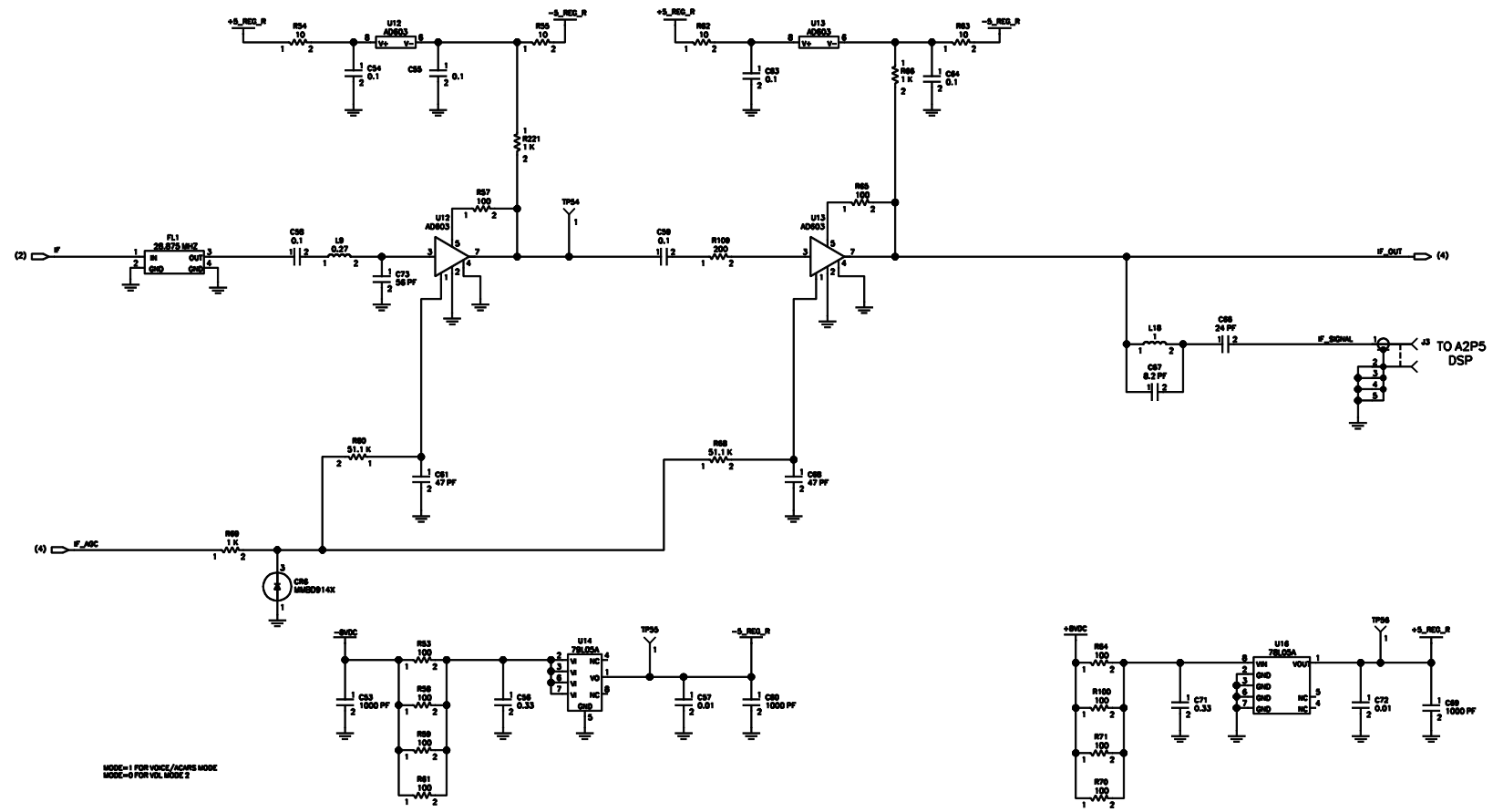
VHF

THIS DRAWING IS CREATED FROM DIGITAL DATA

REV	CHK CODE	ISSUE	REVISION
D	4V792	828-8710-003	-
WORK	None		SHEET 2

THIS DRAWING IS CREATED FROM DIGITAL DATA

IF AMPLIFIER

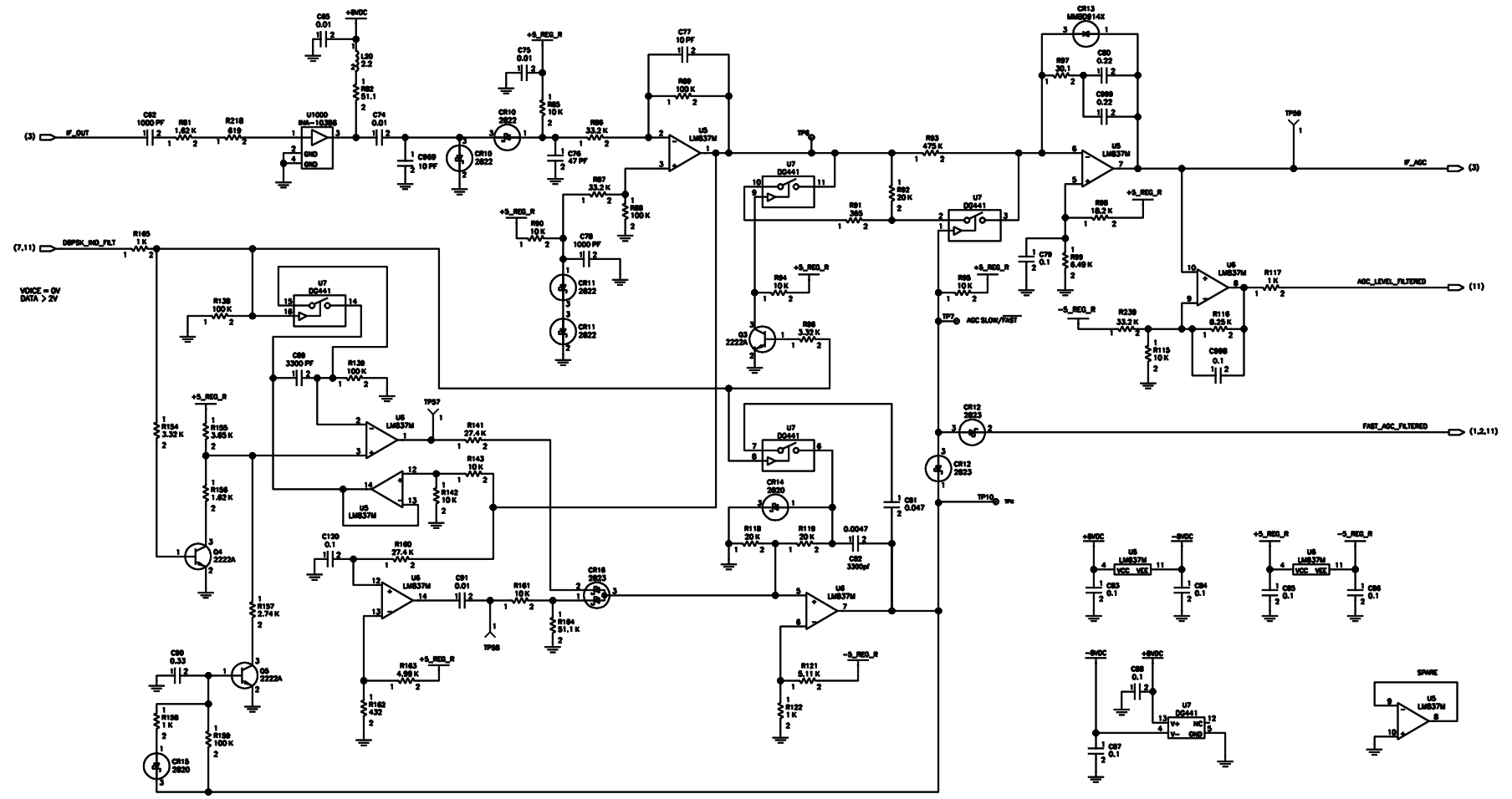


MODE=1 FOR VOICE/CHIRP MODE
MODE=0 FOR VIL MODE 2

VHF

THIS DRAWING IS CREATED FROM DIGITAL DATA

REV	CHK CODE	ISSUE	REVISION
D	4V792	828-8710-003	-
WAVE	NONE		SHEET 3



THIS DRAWING IS CREATED FROM DIGITAL DATA

REV	CHK CODE	ISSUE	REVISION
D	4V792	828-8710-003	-
SCALE	NONE	SHEET	4

THIS DRAWING IS PROPRIETARY INFORMATION

VHF RCVR/TX SYNTHESIZER
RCVR SYNTHESIZER

10DB COUPLER

VCO

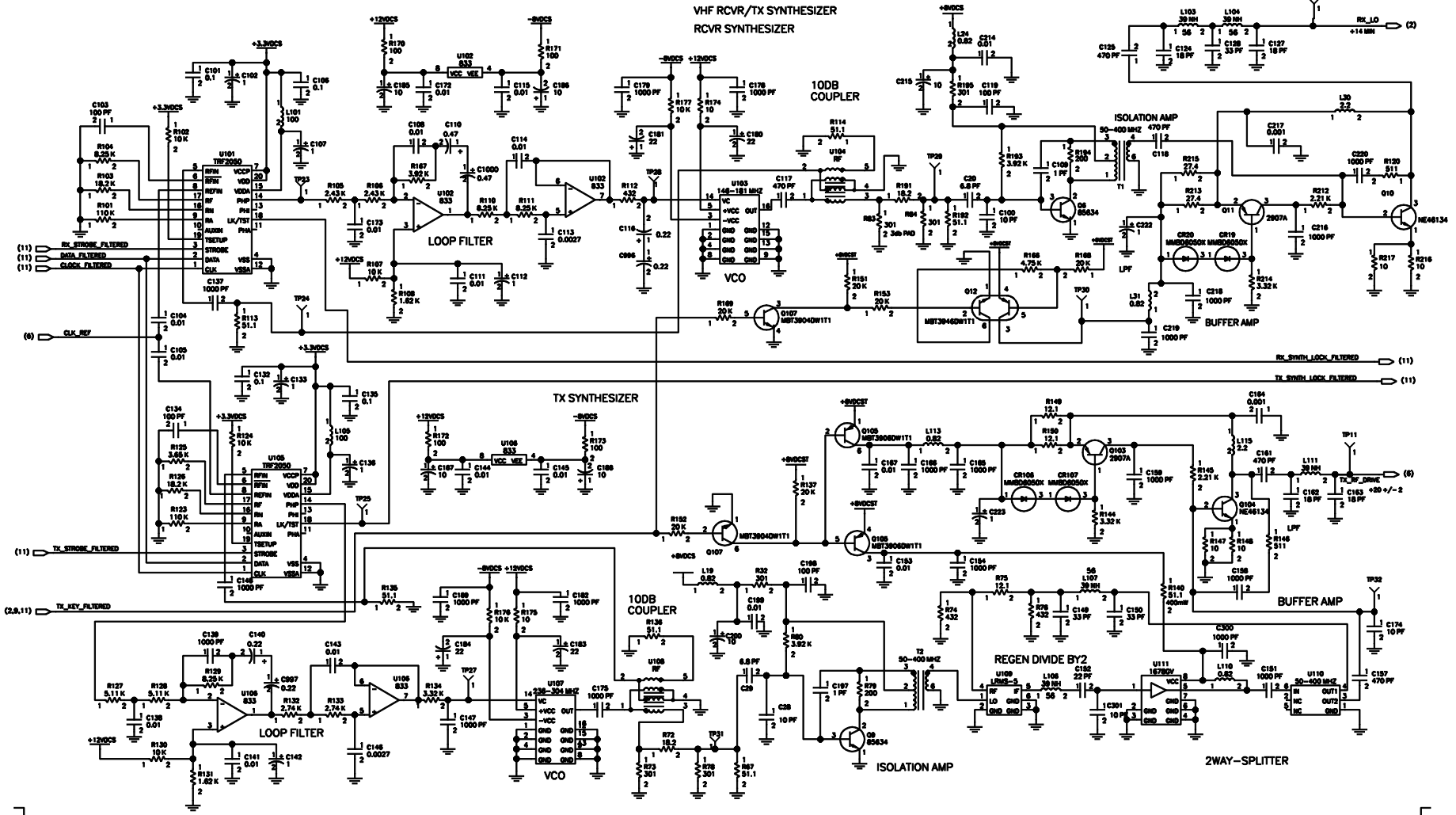
TX SYNTHESIZER

10DB COUPLER

VCO

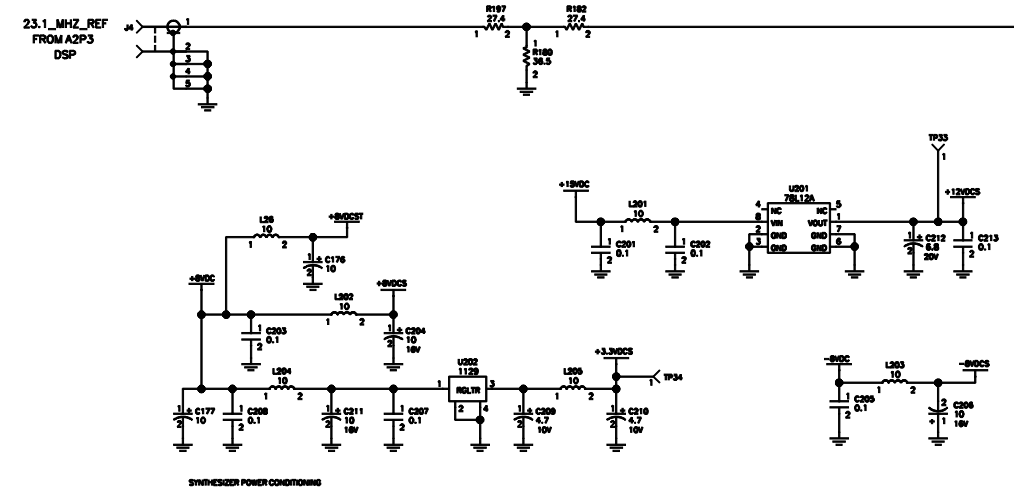
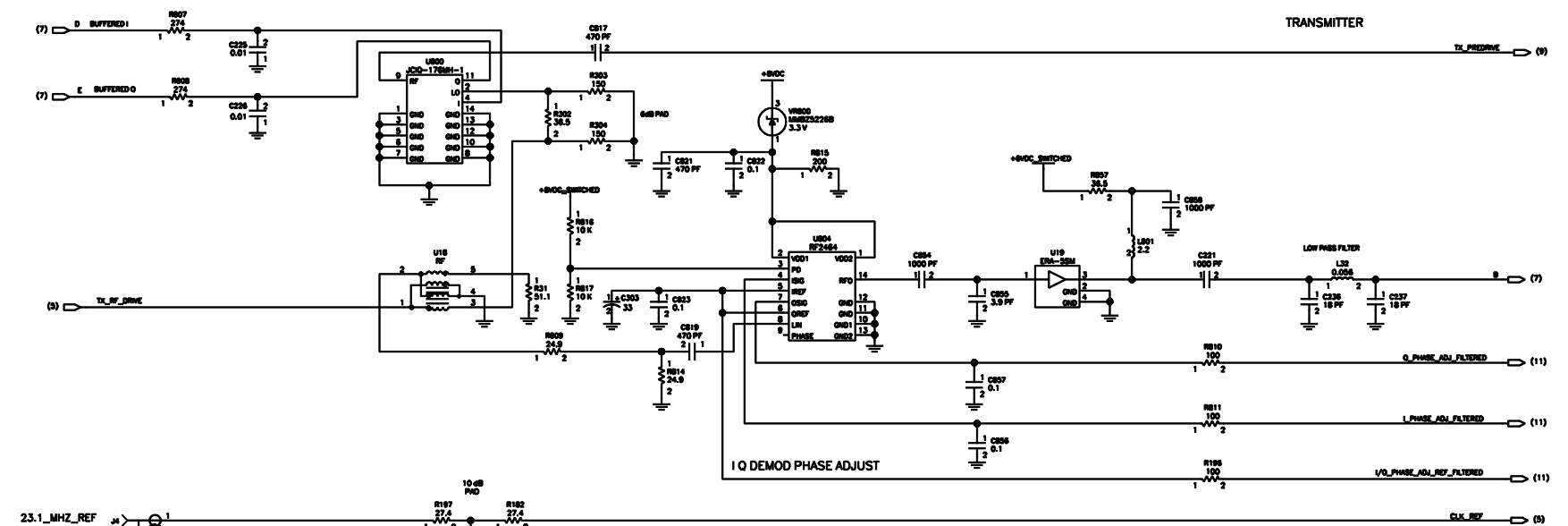
REGEN DIVIDE BY2

2WAY-SPLITTER



THIS DRAWING IS CREATED FROM DIGITAL DATA

REV	CHKD CODE	ISSUED	REVISION
D	4V792	828-8710-003	-
ROCKWELL INTERNATIONAL SYNTHESIZER		PROPRIETARY INFORMATION.	
DATE	NO.	SHEET	5



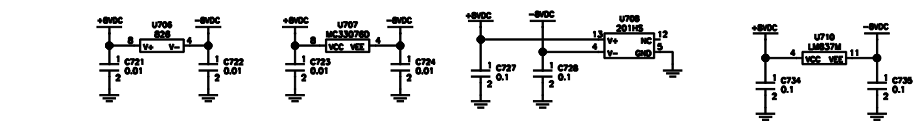
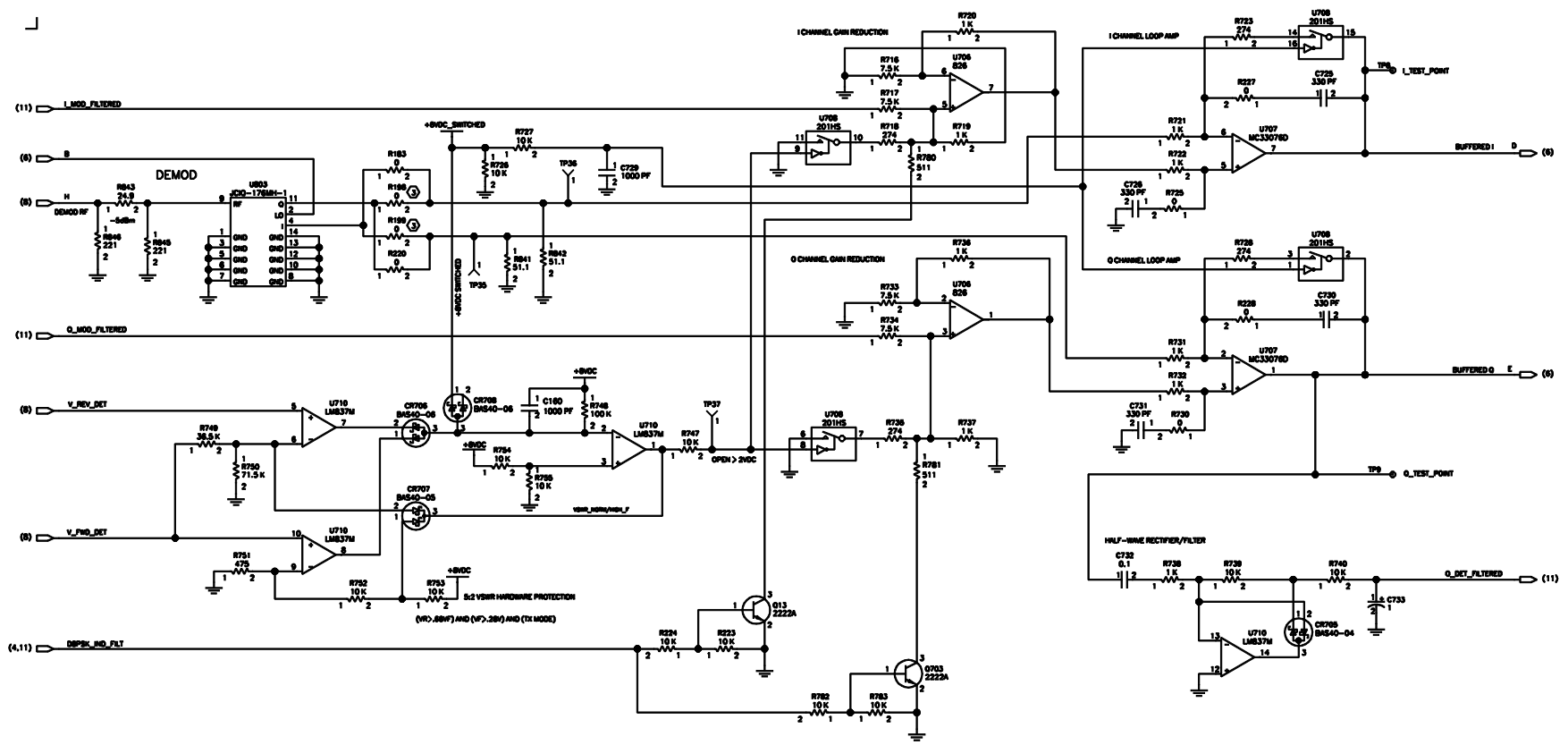
THIS DRAWING IS CREATED FROM DIGITAL DATA

REV	CHG CODE	ISSUE	REVISION
D	4V792	828-8710-003	-
WORK	NONE		SHEET 6

Plotted 09/04/01 06:39

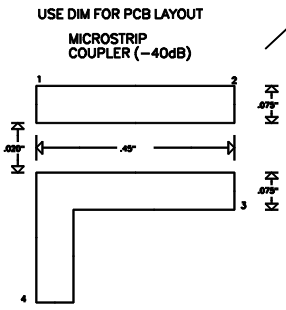
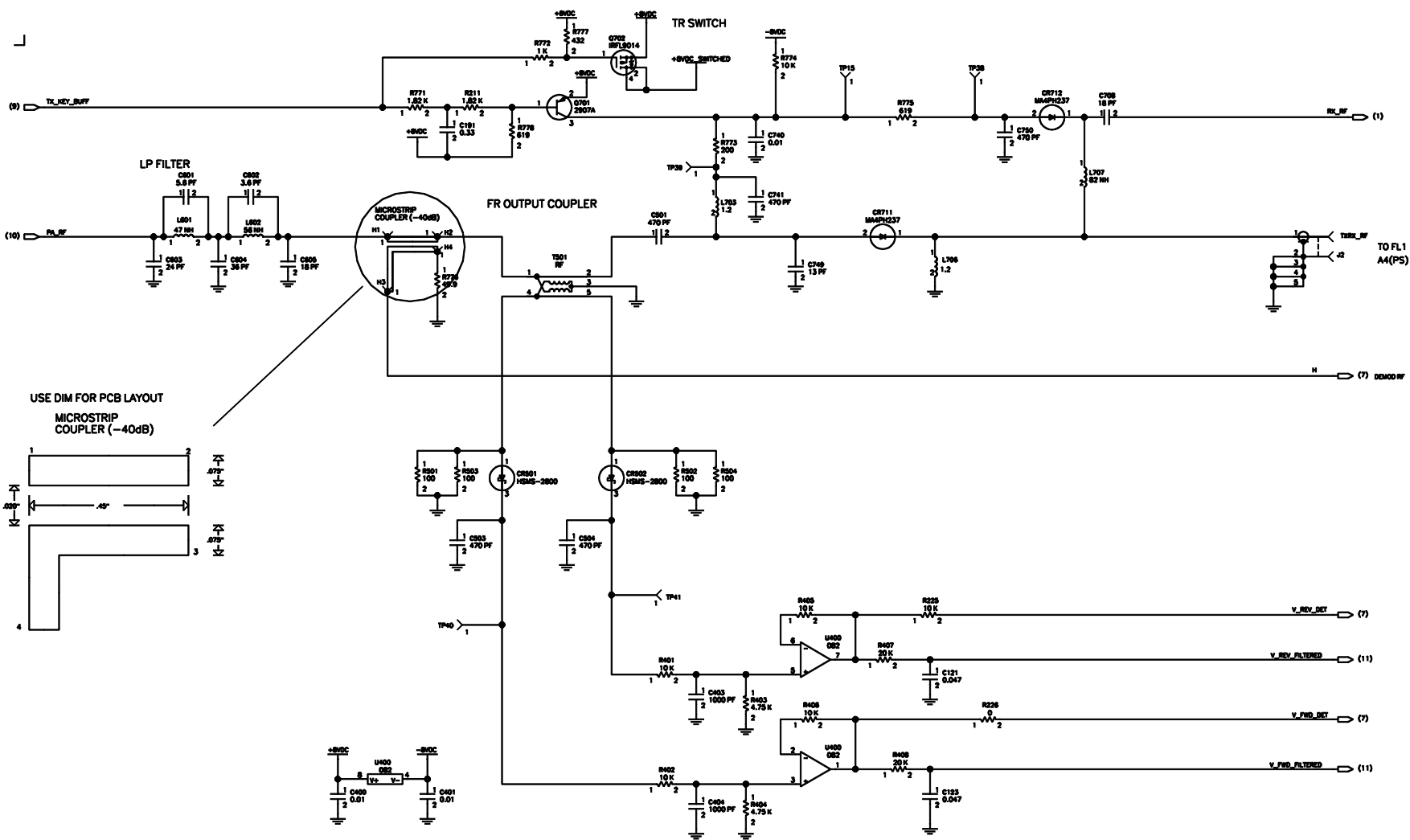
design.6

ORIGIN: 828-8710-003



THIS DRAWING IS CREATED FROM DIGITAL DATA

REV	DATE	ISSUE	REVISION
D	4V792	828-8710-003	-
WORK	NONE		SHEET 7



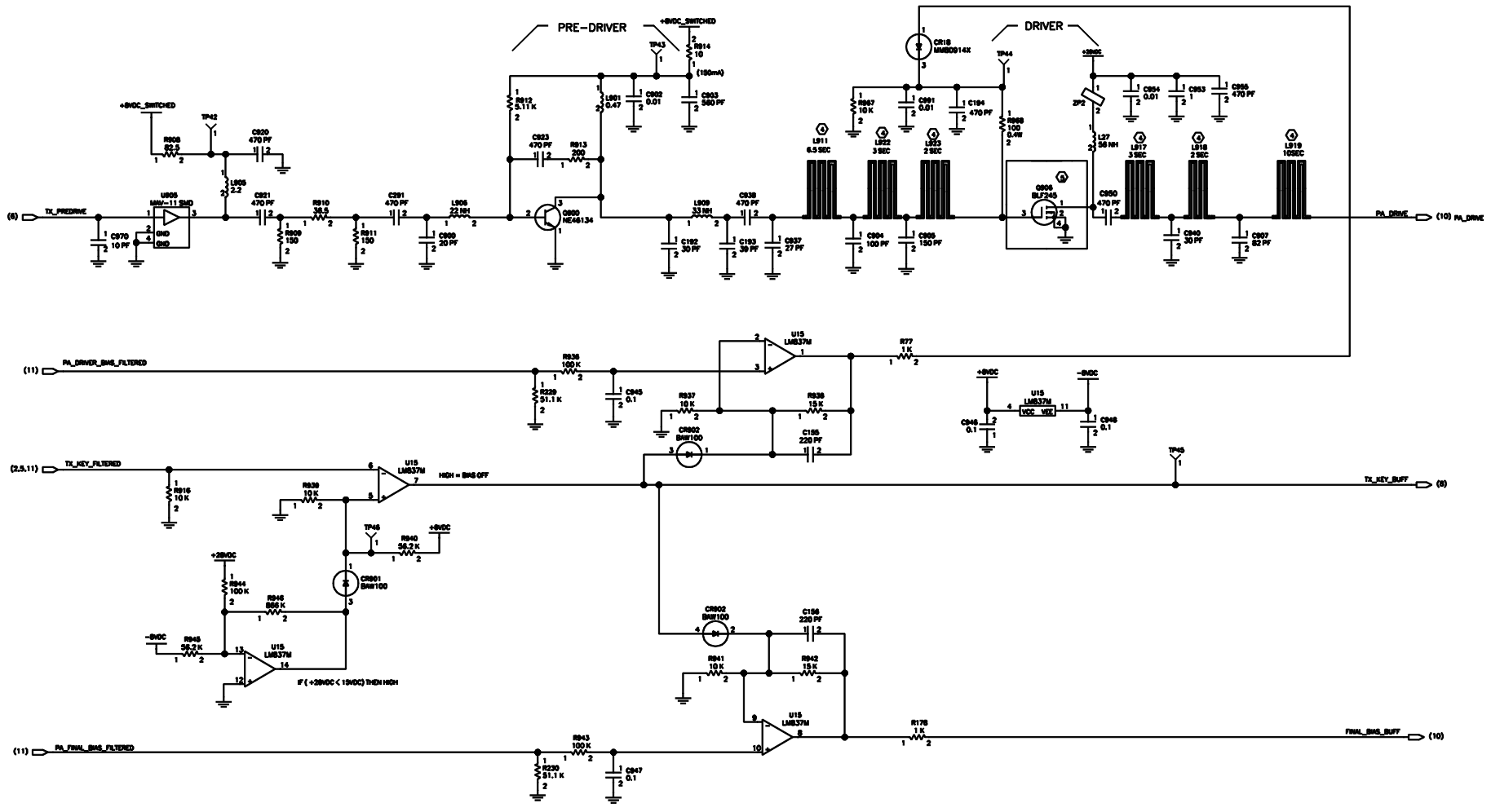
THIS DRAWING IS CREATED FROM DIGITAL DATA

REV	CHK CODE	ISSUE	REVISION
D	4V792	828-8710-003	-
SCALE	NONE	SHEET	8

Plotted 09/04/01 06:39

DESIGN DATA ONLY NO OTHER TRACKS

design.8



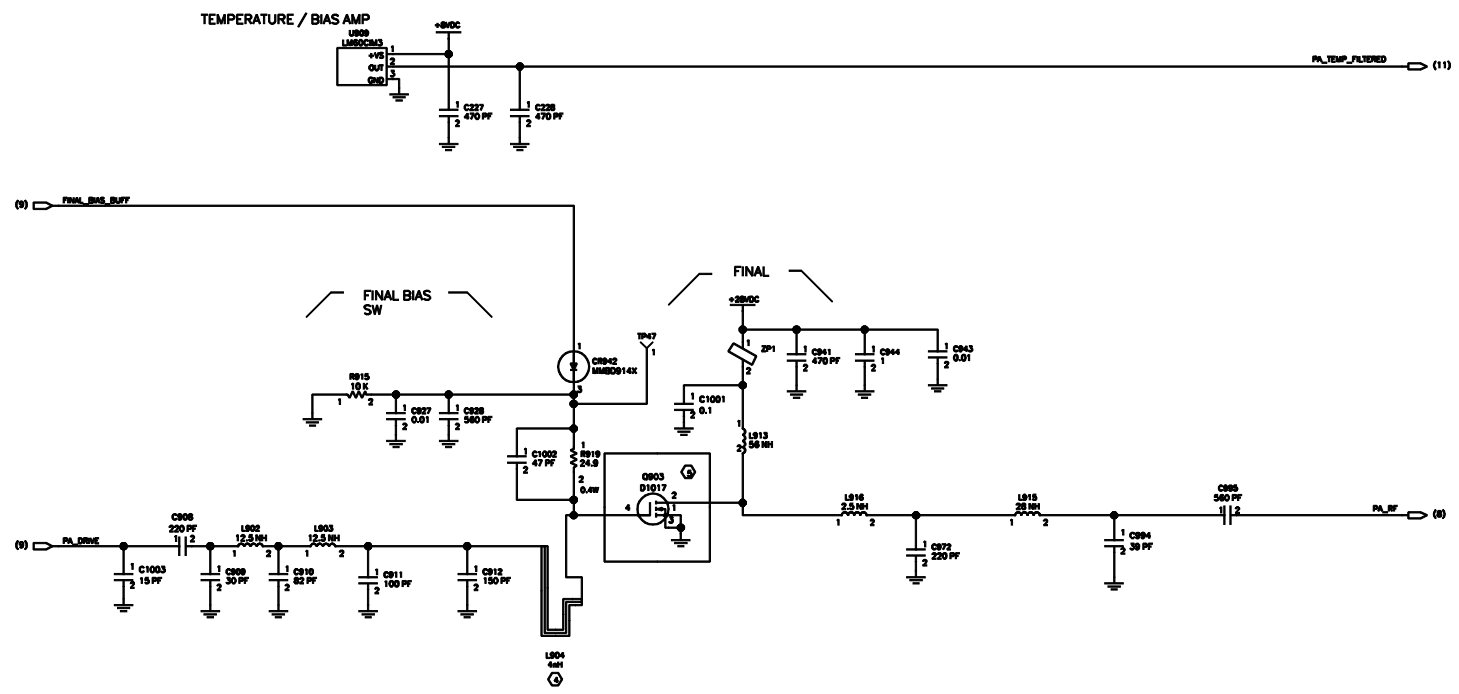
THIS DRAWING IS CREATED FROM DIGITAL DATA

REV	CHG CODE	ISSUE	REVISION
D	4V792	828-8710-003	-
DATE	NONE		SHEET 9

Plotted 09/04/01 06:39

design.9

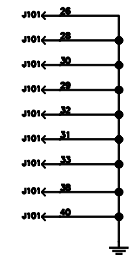
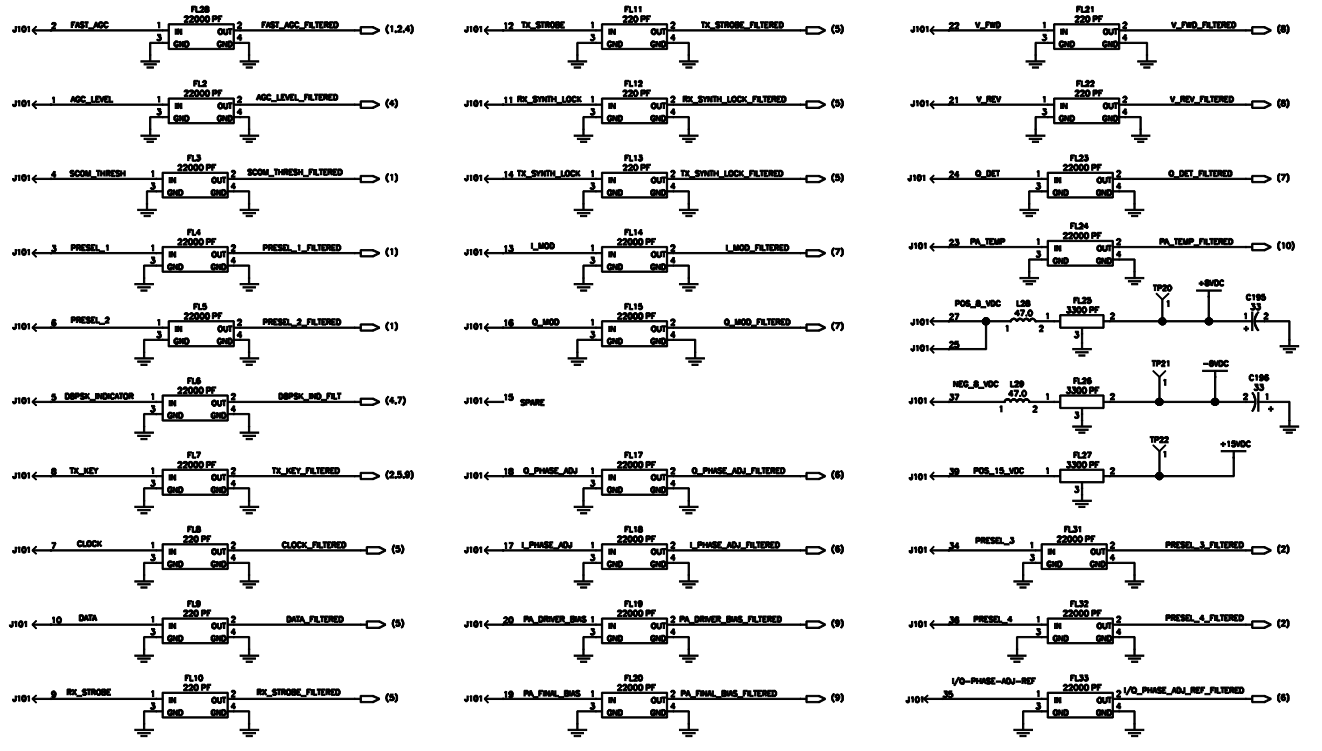
SMALL DATA ONLY NO DIMENSION TRACING



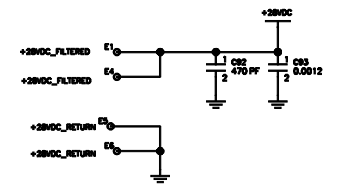
THIS DRAWING IS CREATED FROM DIGITAL DATA

SIZE	CHK CODE	ISSUE	REVISED
D	4V792	828-8710-003	-
SCALE	NONE	SHEET	10

THE DRAWING IS THE PROPERTY OF ROCKWELL COLLINS



A1J101 CONNECTS THROUGH A5 TO A2J102



- NOTE:
- ① UNLESS OTHERWISE SPECIFIED, RESISTANCE VALUES ARE IN OHMS, CAPACITANCE VALUES ARE IN MICROFARADS, AND INDUCTANCE VALUES ARE IN MICROHENRYS.
 - ② PARTIAL REFERENCE DESIGNATIONS ARE SHOWN FOR COMPLETE DESIGNATION. PREFIX WITH UNIT AND/OR ASSEMBLY DESIGNATION.
 - ③ NOT INSTALLED.
 - ④ INDUCTOR ETCHED ON PCB.
 - ⑤ INSTALLED ON NEXT HIGHER ASSEMBLY.

THIS DRAWING IS CREATED FROM DIGITAL DATA

REV	CHG CODE	ISSUED	REVISION
D	4V792	828-8710-003	-
DATE	NONE	DATE	11

THIS DRAWING CONTAINS PROPRIETARY DATA