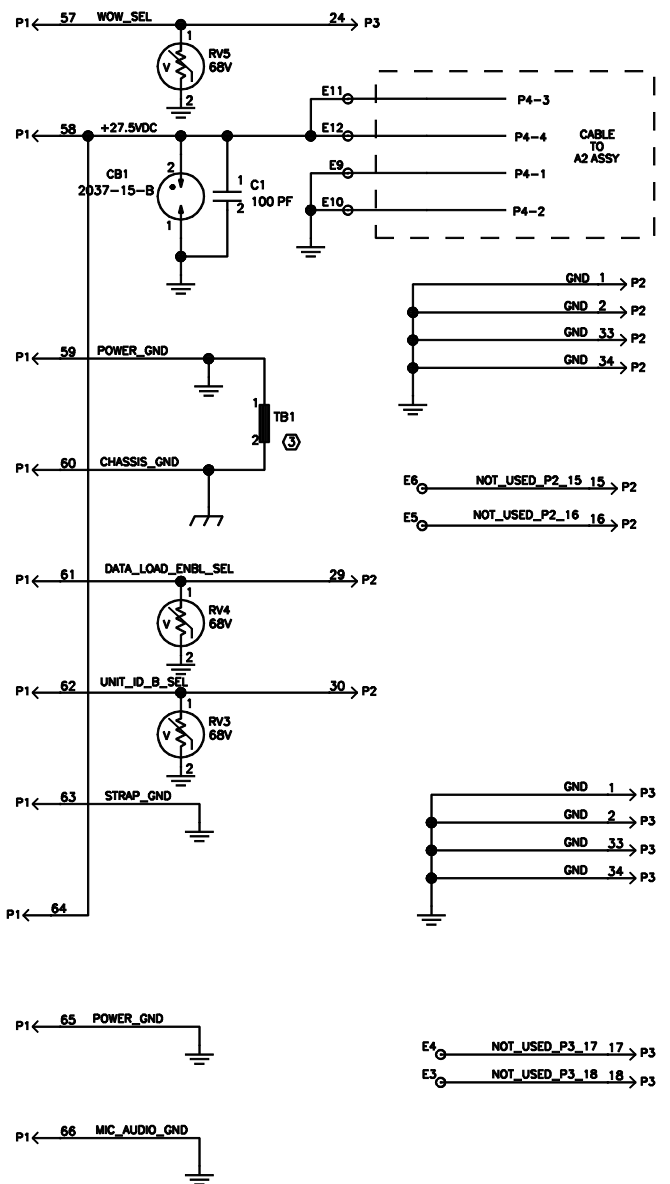
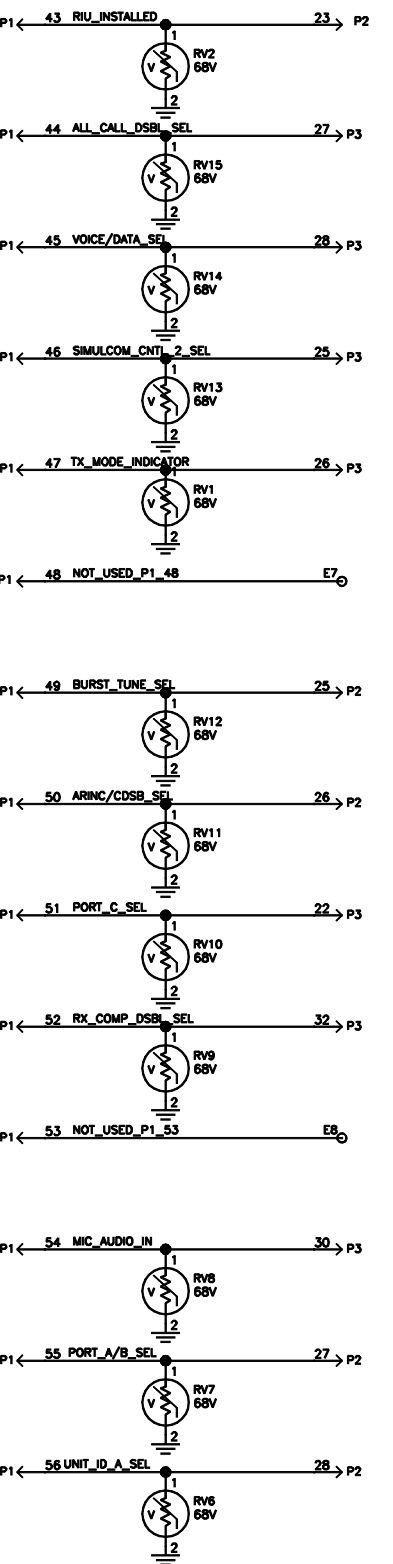
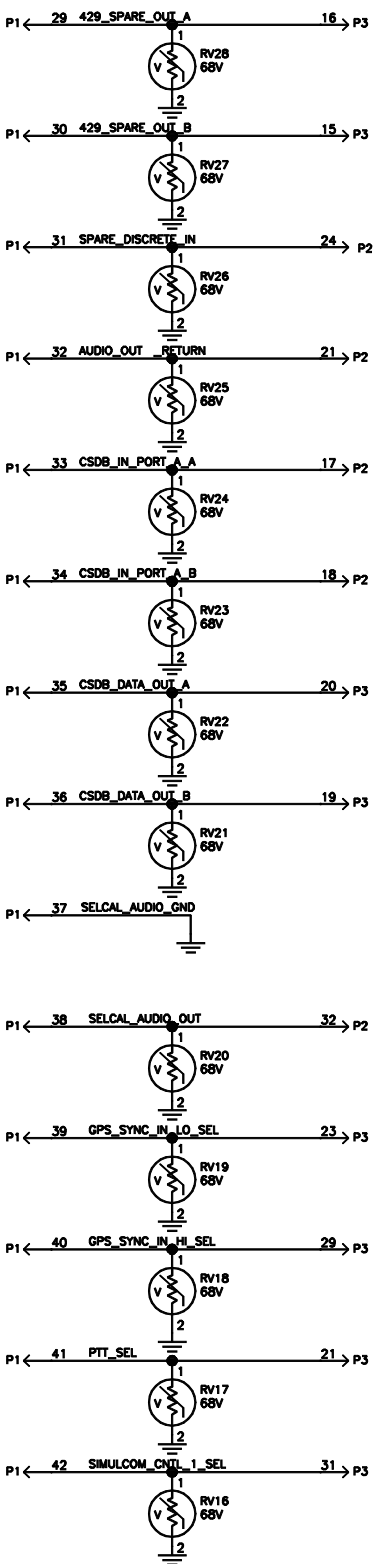
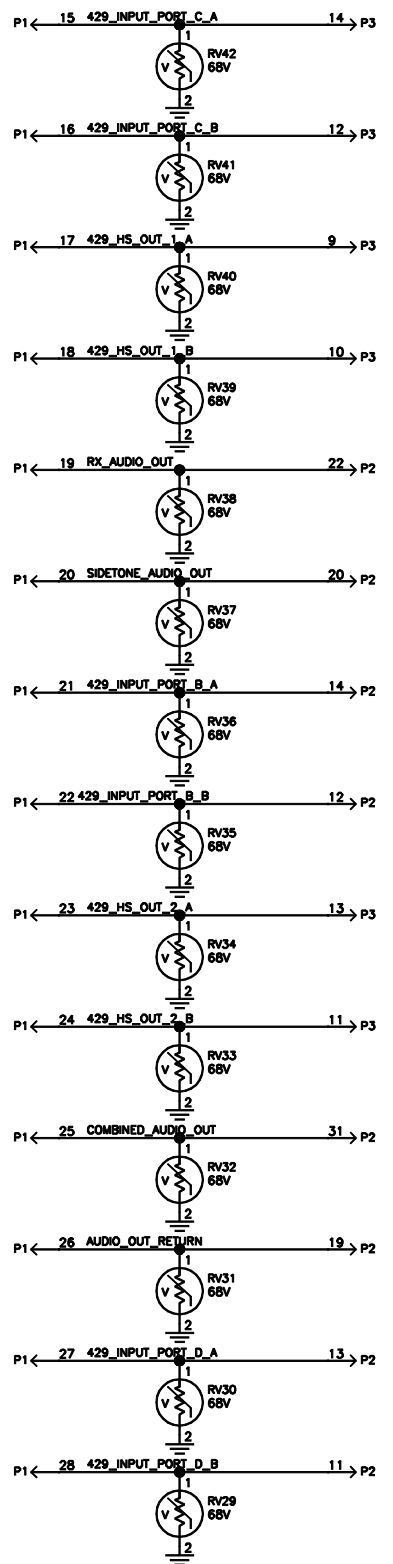
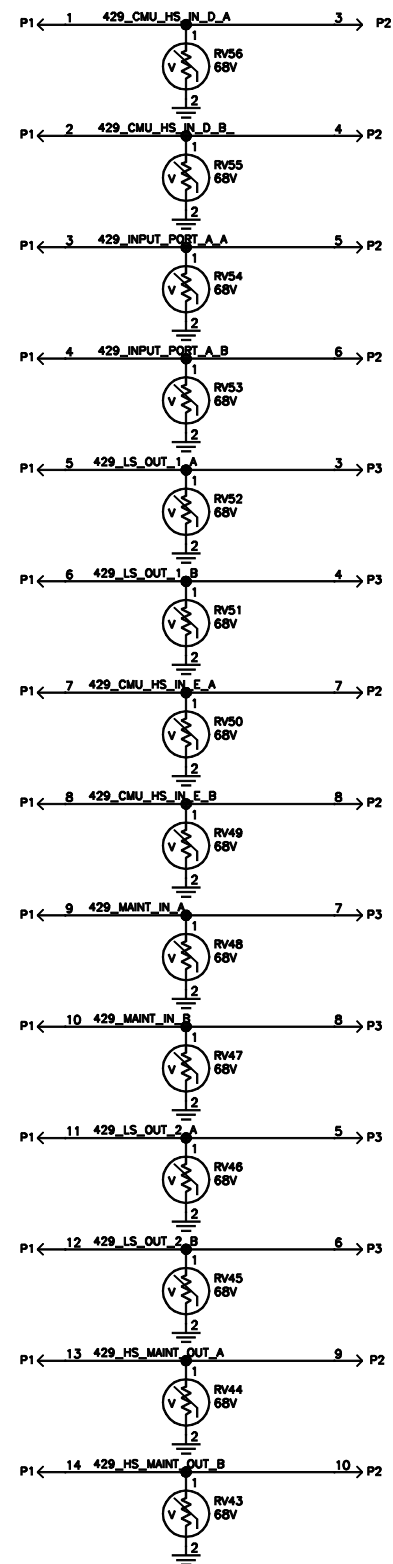


REVISIONS			
LTR	DESCRIPTION	DATE	APVD
A	RL3049	11-30-00	C.F.



NOTE:  
 ① UNLESS OTHERWISE SPECIFIED, RESISTANCE VALUES ARE IN OHMS, CAPACITANCE VALUES ARE IN MICROFARADS, AND INDUCTANCE VALUES ARE IN MICROHENRYS.  
 ② PARTIAL REFERENCE DESIGNATIONS ARE SHOWN; FOR COMPLETE DESIGNATION, PREFIX WITH UNIT AND/OR ASSEMBLY DESIGNATION.  
 ③ TB1 IS IMPLEMENTED IN PRODUCTION AS A JUMPER WIRE.

THIS DRAWING IS CREATED FROM DIGITAL DATA

ROCKWELL COLLINS PROPRIETARY INFORMATION.

PREP Joette K. Lutz	ROCKWELL COLLINS, INC 400 COLLINS RD. NE CEDAR RAPIDS, IA 52498			
CHK Linda K. Olney	SCHEMATIC DIAGRAM, REAR INTERCONNECT A1			
ENG APVD K.K. Hamby	SIZE D	CAGE CODE 4V792	DWG NO. 828-8585-002	REV LTR A
NEXT ASSY PART NO. 828-8585-002	SCALE NONE	EQUIPMENT TYPE NO. VHF-4000	SHEET 1 OF 1	