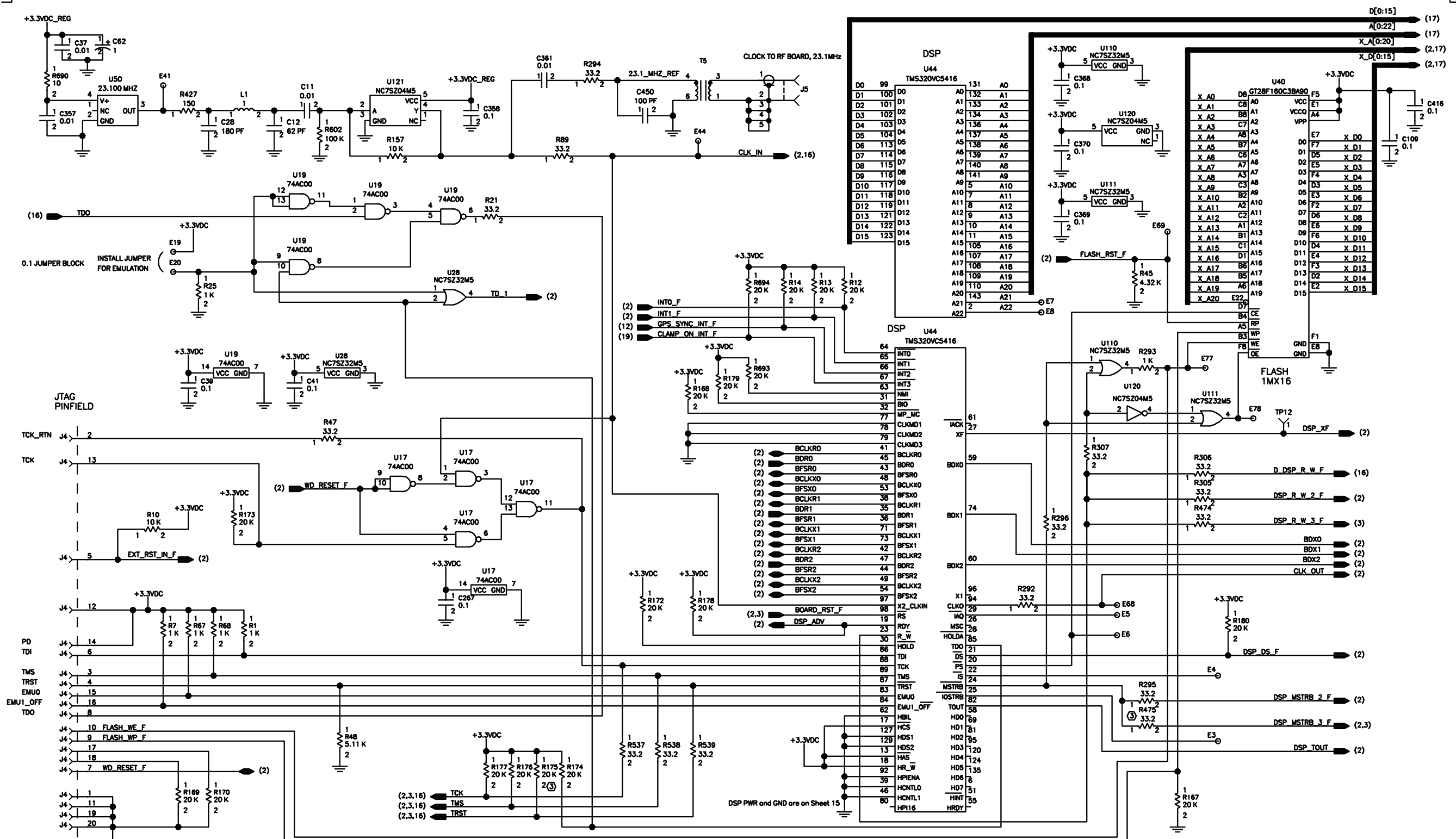


REVISIONS			
LTR	DESCRIPTION	DATE	APVD
D	RL8325	05/14/01	K.H.
E	RL9608	06/18/01	CDP



NOTE:
 ① UNLESS OTHERWISE SPECIFIED, RESISTANCE VALUES ARE IN OHMS, CAPACITANCE VALUES ARE IN MICROFARADS, AND INDUCTANCE VALUES ARE IN MICROHENRYS.
 ② PARTIAL REFERENCE DESIGNATIONS ARE SHOWN; FOR COMPLETE DESIGNATION, PREFIX WITH UNIT AND/OR ASSEMBLY DESIGNATION.
 ③ SHOWN FOR REFERENCE ONLY AND IS NOT INSTALLED ON FINAL ASSEMBLY.
 4.) *** DENOTES COMMENT

THIS DRAWING IS CREATED FROM DIGITAL DATA

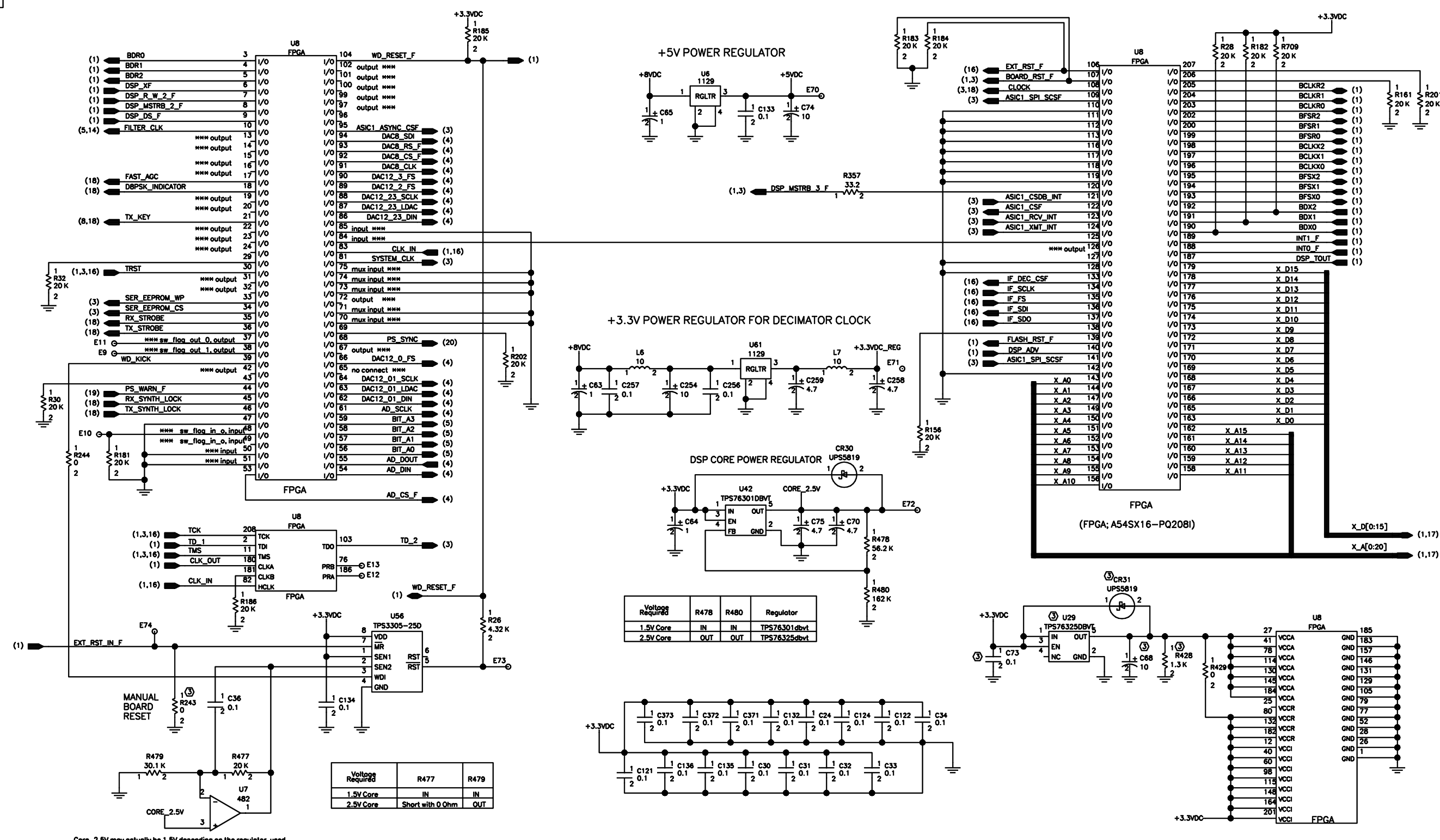
PREP Rodney G Love	ROCKWELL COLLINS, INC 400 COLLINS RD. NE CEDAR RAPIDS, IA 52498		
CHK Richard E. Collet	SCHEMATIC DIAGRAM, DSP/PWR SUPPLY		
ENG APVD K. HAMBY	SIZE D	CAGE CODE 4V792	DWG NO. 828-8587-002
NEXT ASSY PART NO. 828-3187-002	SCALE NONE	EQUIPMENT TYPE NO. VHF-4000	REV LTR E
ROCKWELL COLLINS PROPRIETARY INFORMATION.		SHEET 1 OF 21	

Plotted 06/18/01 14:40

DIGITAL DATA ONLY NO MASTER TRACKING

HP □ REL. □ CR 2 48.0

THIS DRAWING IS CREATED FROM DIGITAL DATA

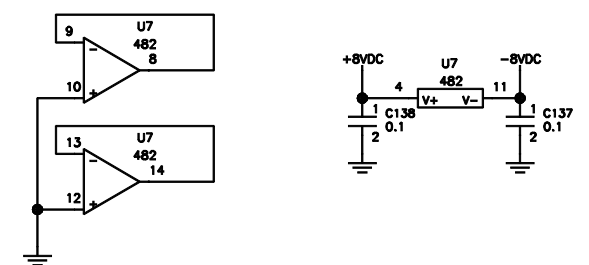
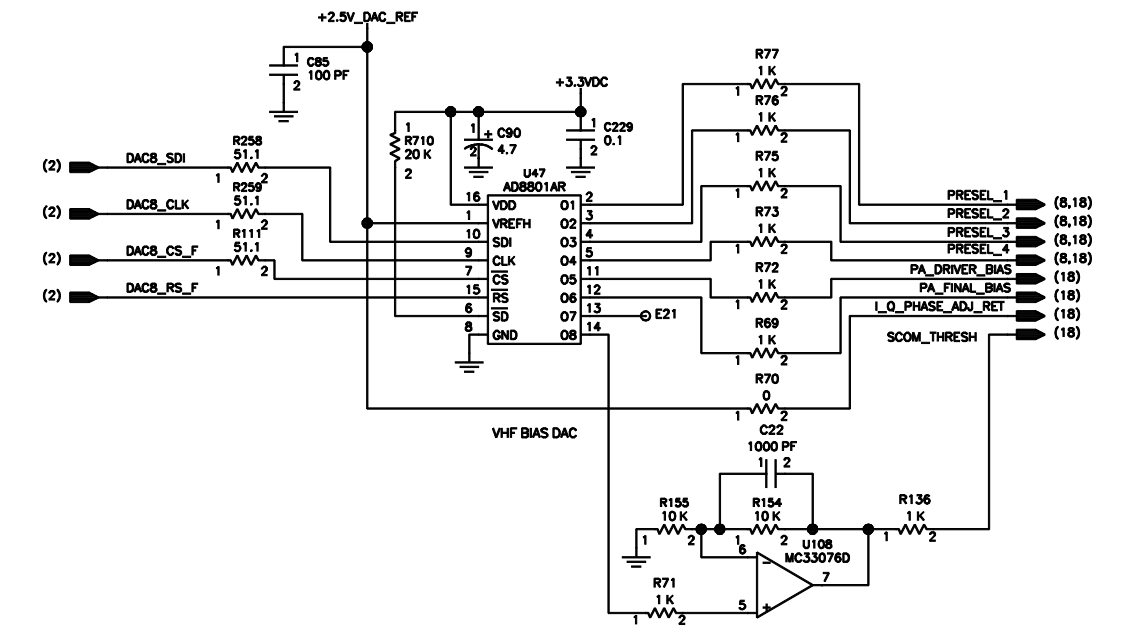
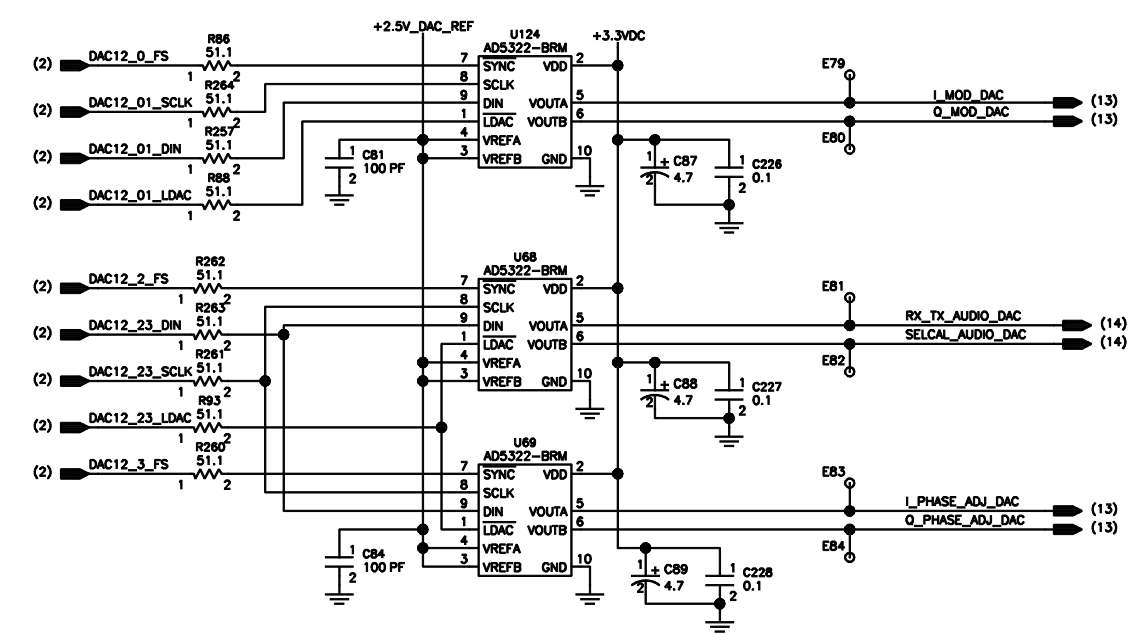
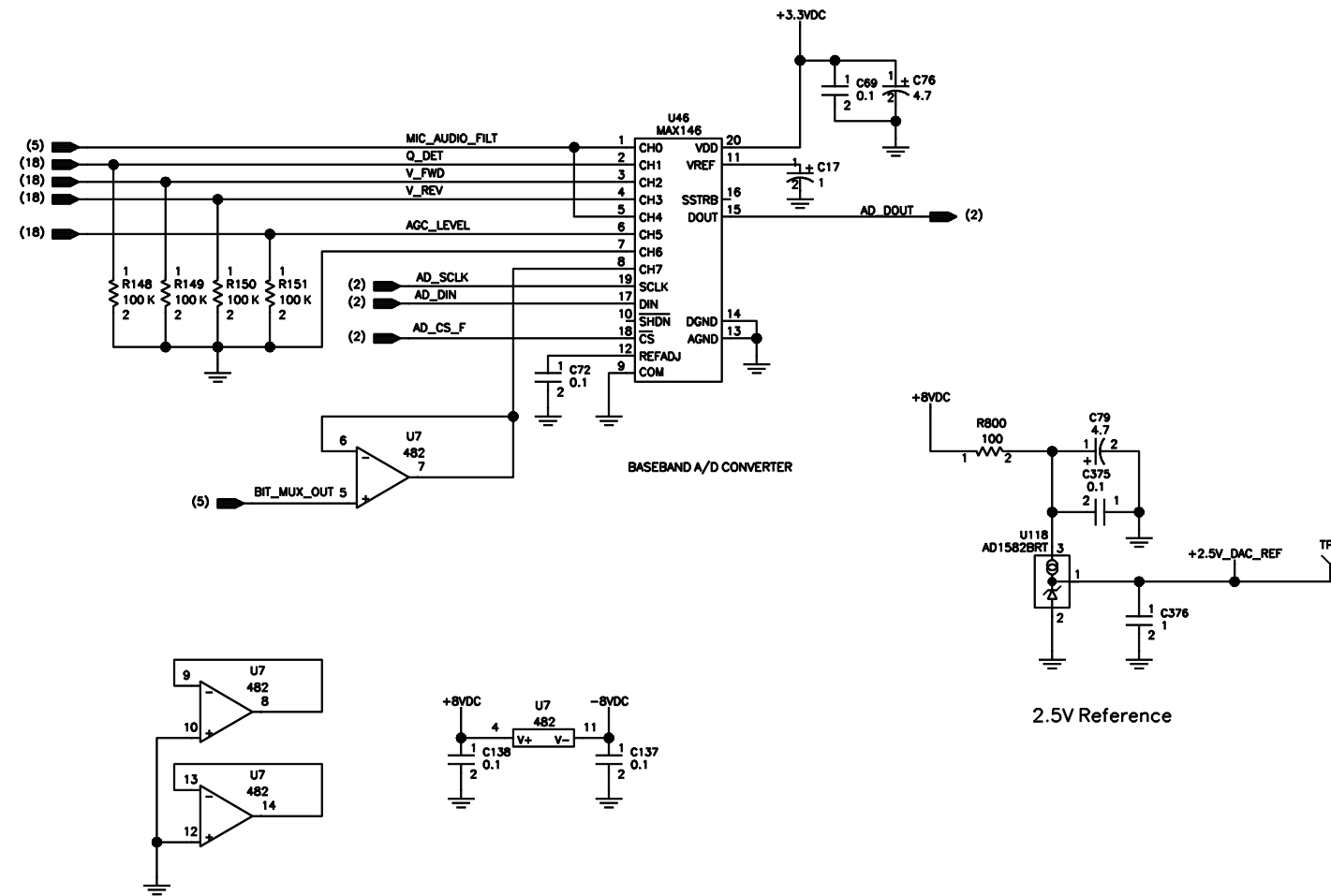


Core_2.5V may actually be 1.5V depending on the regulator used

THIS DRAWING IS CREATED FROM DIGITAL DATA

Plotted 06/18/01 14:40

DIGITAL DATA ONLY NO MASTER TRACING



2.5V Reference

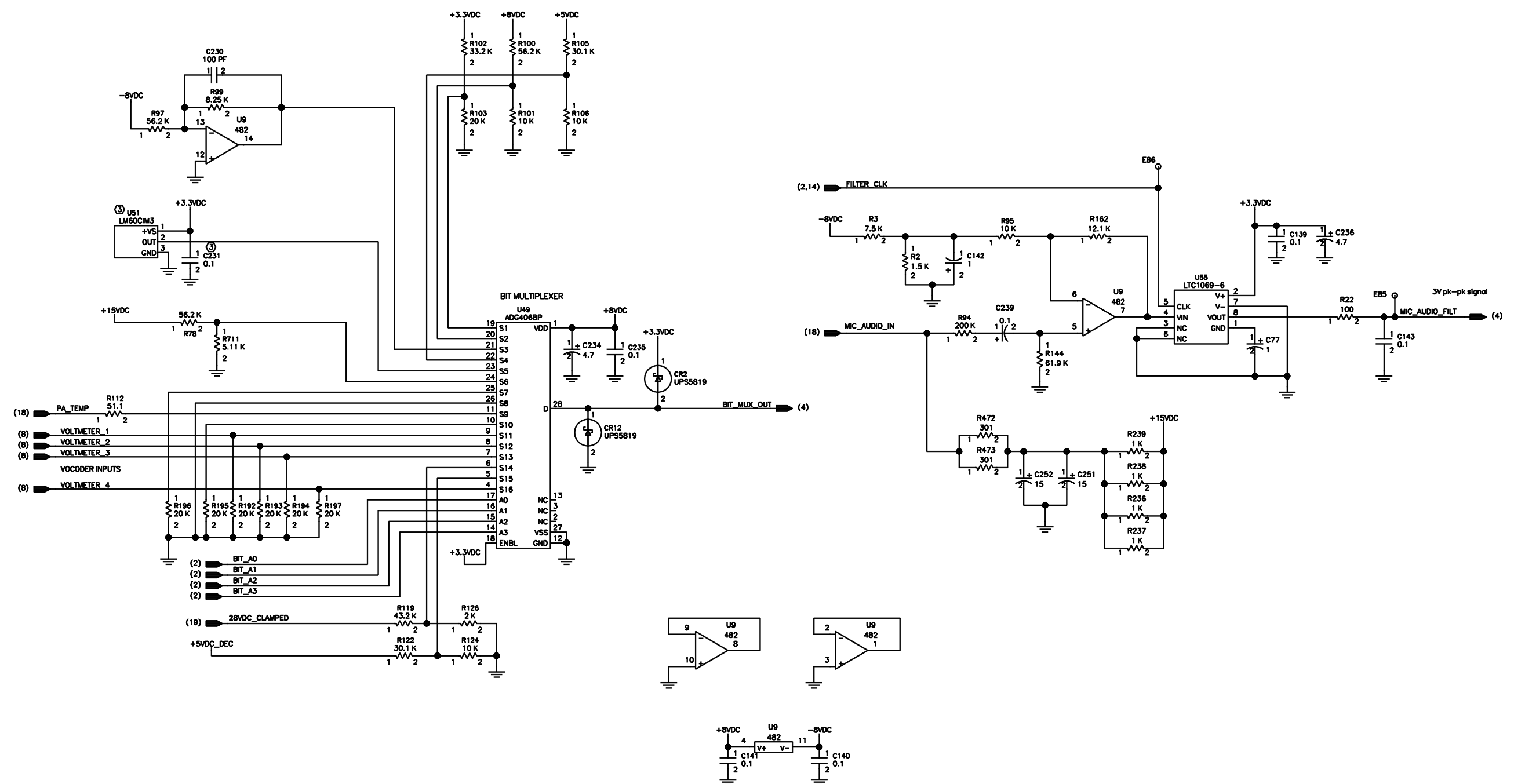
THIS DRAWING IS CREATED FROM DIGITAL DATA

SIZE	CAGE CODE	DWG NO.	REV LTR
D	4V792	828-8587-002	E
SCALE	NONE		SHEET 4

Plotted 06/18/01 14:40

ROCKWELL COLLINS
PROPRIETARY INFORMATION.

THIS DRAWING CREATED FROM DIGITAL DATA



THIS DRAWING IS CREATED FROM DIGITAL DATA

SIZE	CAGE CODE	DWG NO.	REV LTR
D	4V792	828-8587-002	E
SCALE	NONE		SHEET 5

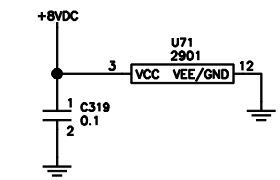
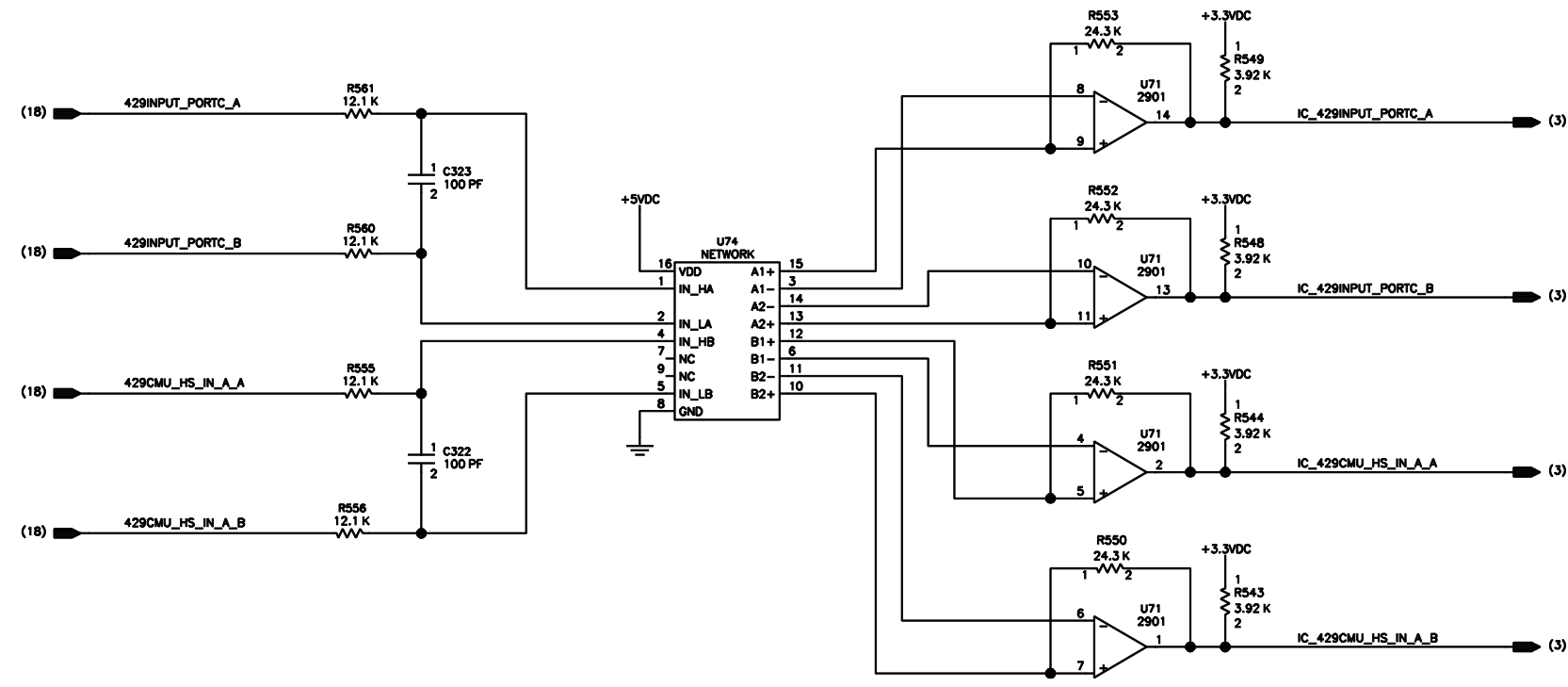
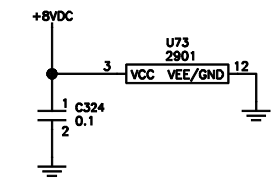
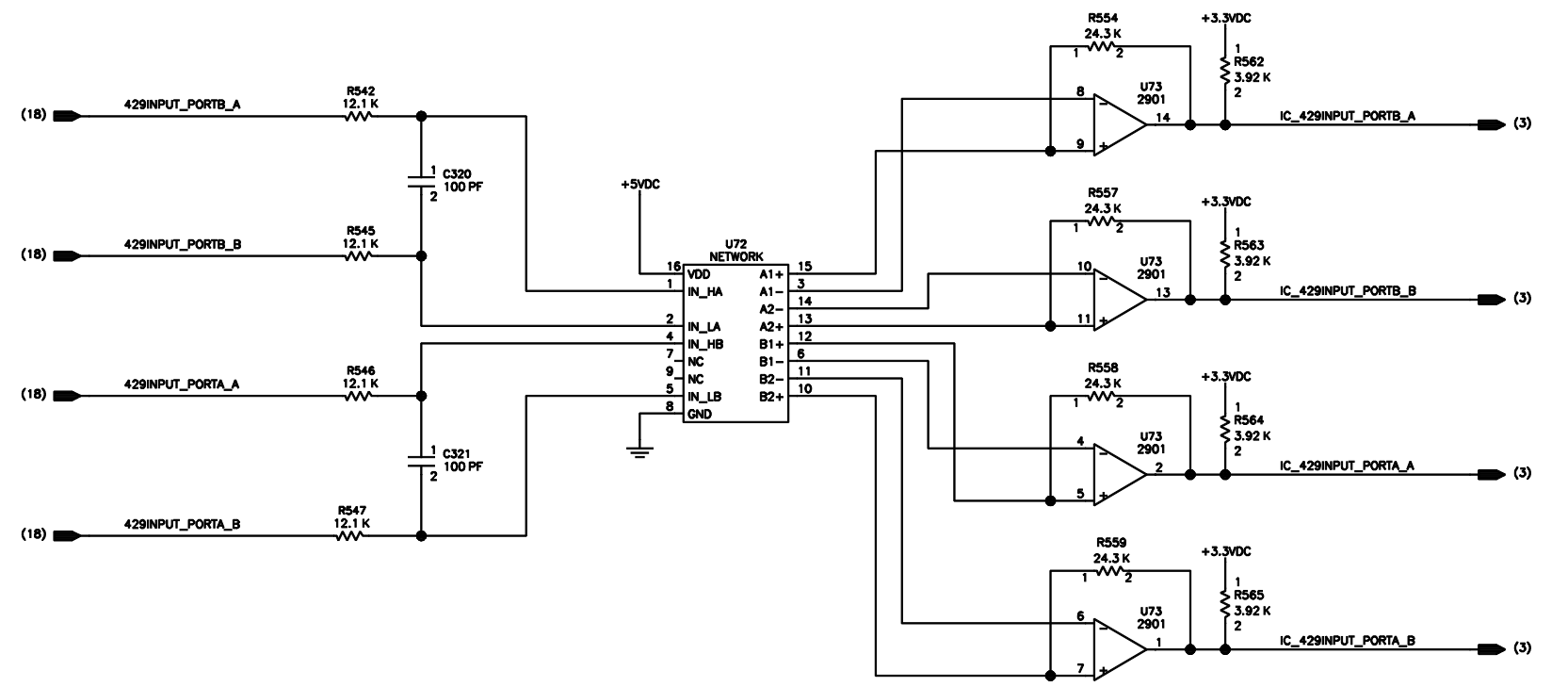
ROCKWELL COLLINS
PROPRIETARY INFORMATION.

Plotted 06/18/01 14:40

design.5

DIGITAL DATA ONLY NO MASTER TRACING

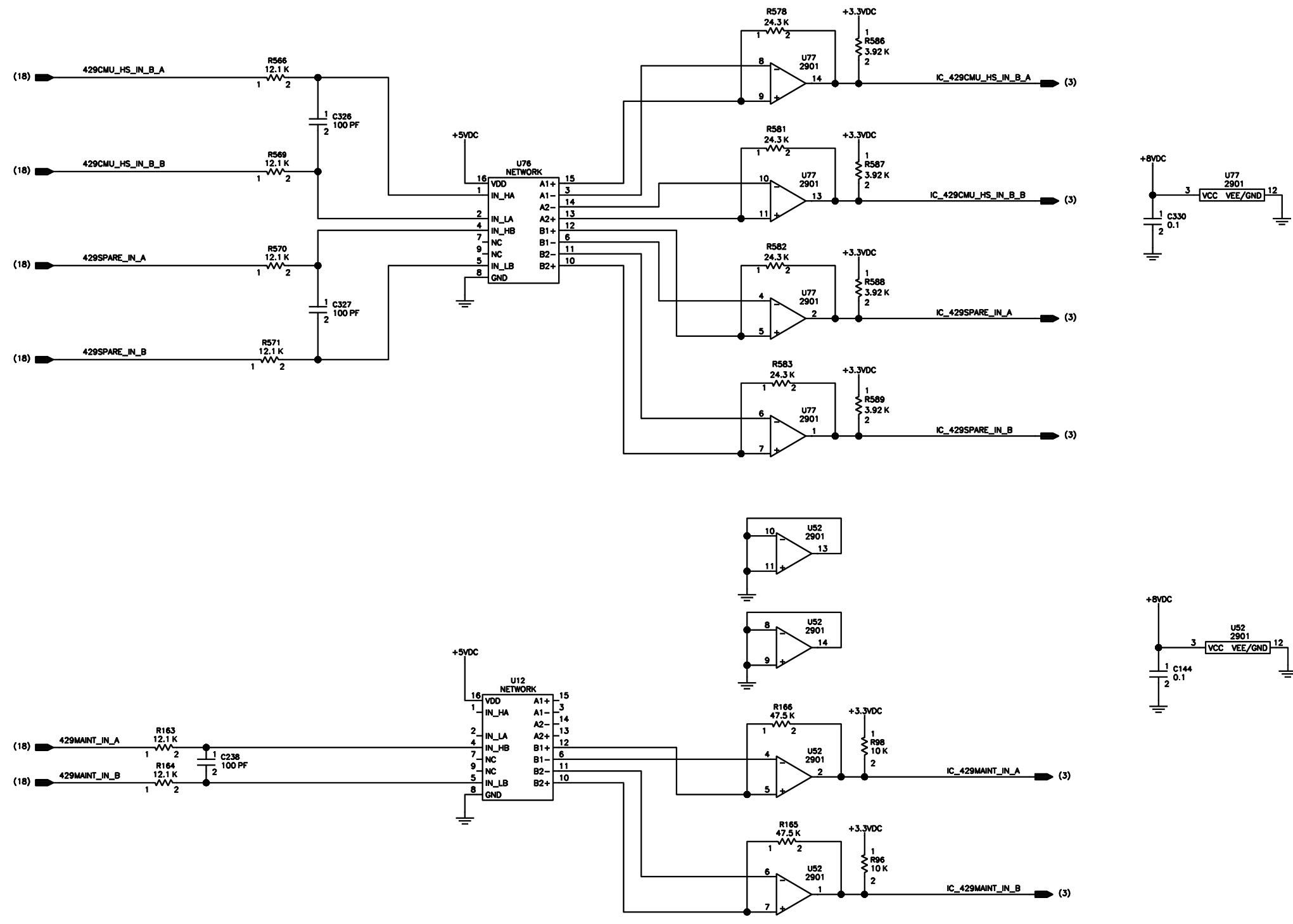
THIS DRAWING CREATED FROM DIGITAL DATA



THIS DRAWING IS CREATED FROM DIGITAL DATA

SIZE	CAGE CODE	DWG NO.	REV LTR
D	4V792	828-8587-002	E
SCALE	NONE	SHEET	6

THIS DRAWING CREATED FROM DIGITAL DATA



THIS DRAWING IS CREATED FROM DIGITAL DATA

SIZE	CAGE CODE	DWG NO.	REV LTR
D	4V792	828-8587-002	E
SCALE	NONE	SHEET	7

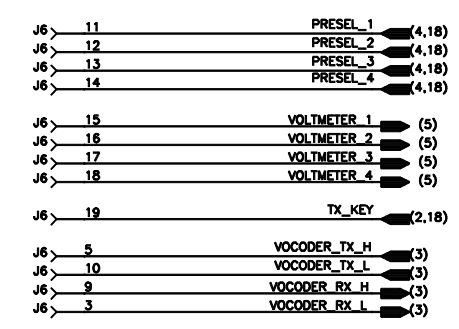
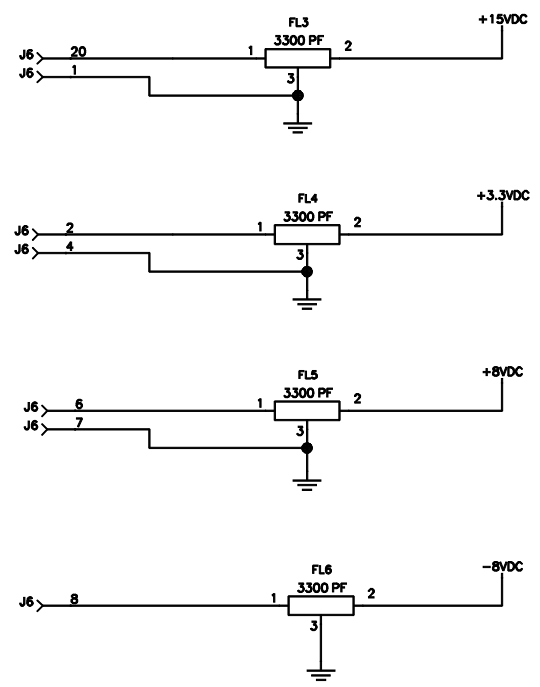
ROCKWELL COLLINS
PROPRIETARY INFORMATION.

Plotted 06/18/01 14:40

DIGITAL DATA ONLY NO MASTER TRACING

design.7

THIS DRAWING CREATED FROM DIGITAL DATA



VOCODER PIN FIELD

THIS DRAWING IS CREATED FROM DIGITAL DATA

SIZE	CAGE CODE	DWG NO.	REV LTR
D	4V792	828-8587-002	E
SCALE	NONE	SHEET	8