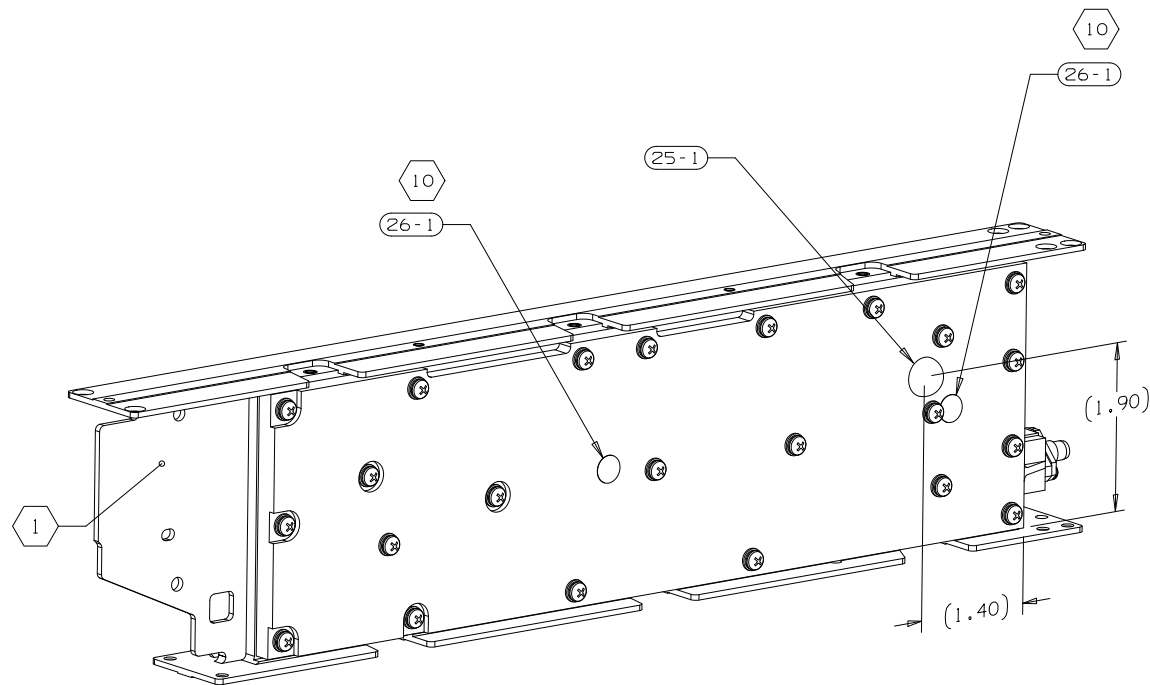


NOTES:

1. MARK ASSY 653-4131-001, REV AND REV LETTER, LOCATED APPROX AS SHOWN PER 839-0497-001.
2. TIGHTEN ITEMS 1 AND 2 TO 1.0 ± .25 IN-LB. DISCARD LOCKWASHER PROVIDED.
3. INSTALL ITEM 18 FLUSH TO EDGES OF ITEM 12. NO GAPS IN COVERAGE MAY EXIST. DO NOT STRETCH MATERIAL. MOUNTING SURFACE SHALL BE CLEAN AND FREE OF FOREIGN MATERIAL.
4. TIGHTEN ITEM 10 TO 4.0 IN-LBS.
5. SOLDER ITEMS 1 AND 2 TO ITEM 17. 260° C MAX SOLDER TEMPERATURE.
6. MAX LEAD LENGTH OF ITEM 11 TO BE .20 INCH (MEASURED FROM BODY OF PART) TRIM IF NECESSARY.
7. TRIM LEADS OF ITEMS 21, 22, 23 AND 24 AS SHOWN.
8. REMOVE PROTECTIVE BACKING FROM ITEM 25 AND INSTALL APPROX AS SHOWN.
9. DO NOT TRIM LEADS OF ITEMS 1 & 2.
10. INSTALL ITEM 26 TO COMPLETELY COVER HOLES INDICATED.

REVISIONS			
LTR	REVISION NO.	DATE	APVD
A	RL7759	01-05-04	NS



QTY	ITEM NO	PART OR IDENTIFYING NUMBER	NOMENCLATURE OR DESCRIPTION	DOCUMENT NO	CAGEC	NOTES	REF DESIGNATOR
2	26	653-2602-001	COVER, ADJUSTMENT HOLE				10
1	25	200-0715-070	BUMPER, PLASTIC - MOLDED				8
1	24	352-5553-010	TRANSISTOR, SD 1538-11			Q304	7
1	23	352-5552-010	TRANSISTOR, SAF 3342			Q303	7
1	22	352-5551-020	TRANSISTOR, SD 8269-11			Q302	7
1	21	352-5550-010	TRANSISTOR, SAF 3340			Q301	7
23	20	310-0779-030	WASHER, FLAT - .247 OD X .123 ID				
0.8	19	820-0170-000	RIBBON, SILVER (FT)				
2.3	18	018-0334-010	GASKET, EMI (FT)				3
1	17	828-3374-002	CCA, RECEIVER/TRANSMITTER				5
1	16	828-3373-002	CCA, MODULATOR/IF/SYNTH				A4
1	15	653-4138-002	COVER				A3
1	14	653-4135-002	SHIELD - RF				
1	13	653-4133-002	CHASSIS - RF				
1	12	357-0172-140	CONNECTOR, RF - 50 OHM BMA				3
1	11	843-1594-040	TRANSISTOR, 61020				6
23	10	343-0137-000	SCREW, .112-40 X .50 PNH				4
27	9	343-0123-000	SCREW, .086-56 X .19 PNH				
2	8	343-0124-000	SCREW, .086-56 X .25 PNH				
17	7	330-1748-300	SCREW, .086-56 X .81 PNH				
2	6	330-1716-020	SCREW, .086-56 X .19 PNH LKG				
29	5	310-0129-000	WASHER, FLAT - .188 OD X .089 ID				
23	4	310-0279-000	WASHER, LOCK - .115 ID				
46	3	310-0275-000	WASHER, LOCK - .088 ID				
4	2	241-7030-020	CAPACITOR, FEED-THRU - 5 pF			2,5,9	C9,18,20,21
17	1	241-7030-010	CAPACITOR, FEED-THRU - 500 pF			2,5,9	C1 - 8,10-17,19

PARTS LIST

NOTES LISTED BELOW MARKED ARE APPLICABLE TO THIS DRAWING

- SPACE/USAGE PRECLUDES IDENTIFICATION MARKING.
- 580-6520-001 MAY BE UTILIZED ON THIS ASSY.
- SOLDER PER 580-5178-000.
- SPOT WELD PER 580-5125-000 LOCATED APPROX AS SHOWN.
- FUSION WELD PER 839-2219-001, CLASS C.
- FABRICATION ASSY PRACTICES PER 839-5402-001.

PARENTHEICAL INFORMATION IS FOR REFERENCE ONLY.
 SYMBOL IDENTIFICATION INTERPRETATION: (ITEM NO) OR (ITEM NO-QTY)
 ALL SHEETS ARE THE SAME REVISION STATUS

UNLESS OTHERWISE SPECIFIED DIMENSIONS ARE IN INCHES

DIMENSIONING AND TOLERANCING INTERPRETED PER ANSI Y14.5M-1982

PART SHALL BE INTERPRETED IN ACCORDANCE WITH 839-5400-001

ROCKWELL INTERNATIONAL PROPRIETARY INFORMATION. DISSEMINATION OUTSIDE ROCKWELL INTERNATIONAL TO BE CLEARED THROUGH THE PATENT COUNSEL.

ROCKWELL INTERNATIONAL CORPORATION
 COLLINS COMMERCIAL AVIONICS
 CEDAR RAPIDS, IOWA 52498

PREP 00-09-20
 P. R. MONDOR

CHK 00-09-20
 G. RIVERS

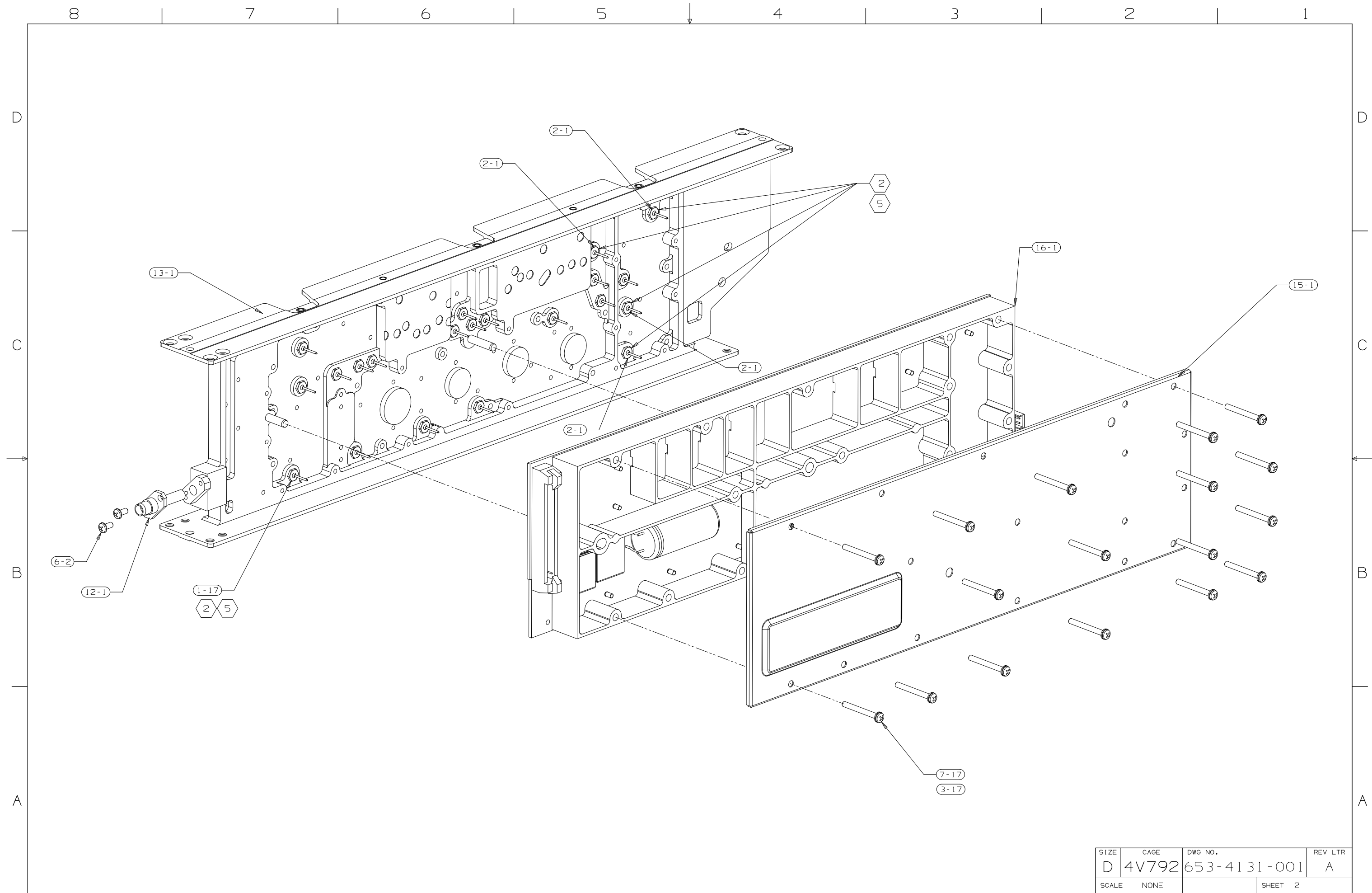
ENG APVD 00-09-20
 C.D. FOY

MFG APVD

SIZE D
 CAGE 4V792
 DWG NO. 653-4131-001
 REV LTR A

SCALE NONE
 SHEET 1 OF 4

CAUTION
 THIS DRAWING CREATED BY COMPUTER INPUT DO NOT REVISE MANUALLY
 DATA EXISTS IN C.A.MECH DFTG
 DATA FILE: 653-4131-001.prt
 UNIGRAPHICS II V15.0

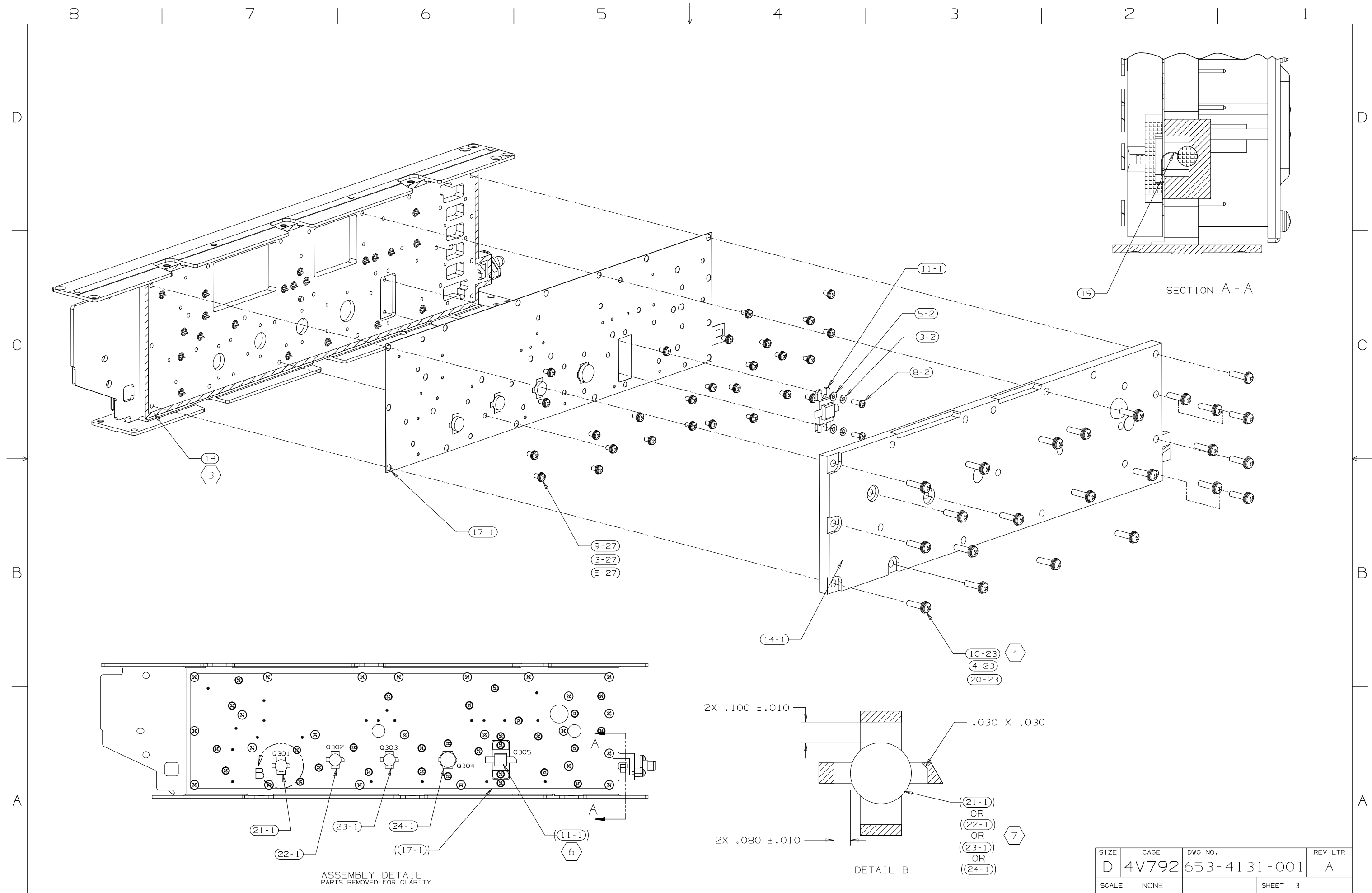


SIZE	CAGE	DWG NO.	REV LTR
D	4V792	653-4131-001	A
SCALE	NONE	SHEET 2	

Scale= 0.477273:1

010625.1513 [Unigraphics] File: 653-4131-001UG.bug

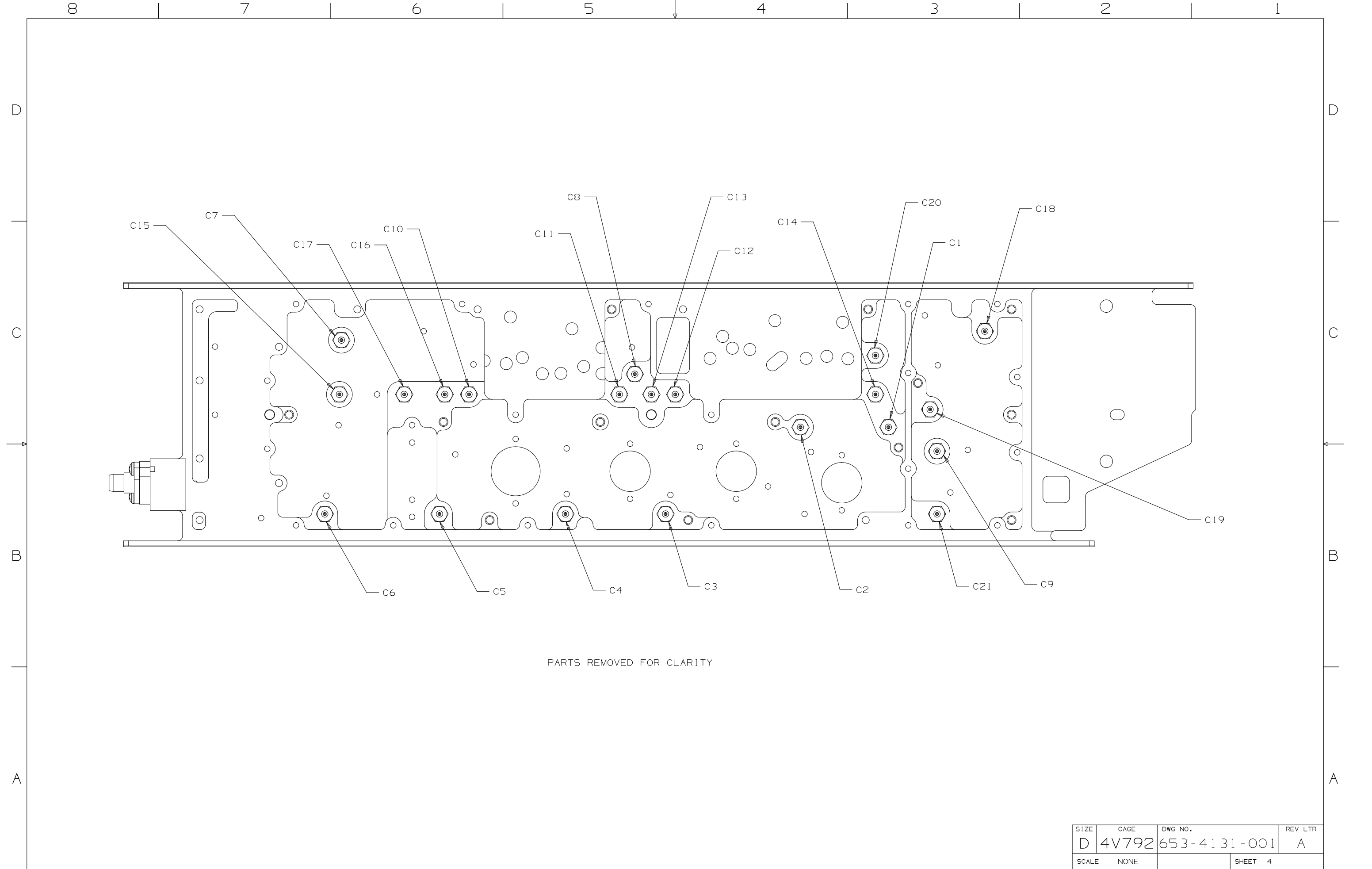
UGPDM



ASSEMBLY DETAIL
PARTS REMOVED FOR CLARITY

DETAIL B

SIZE	CAGE	DWG NO.	REV LTR
D	4V792	653-4131-001	A
SCALE	NONE	SHEET 3	



PARTS REMOVED FOR CLARITY

SIZE	CAGE	DWG NO.	REV LTR
D	4V792	653-4131-001	A
SCALE	NONE	SHEET	4