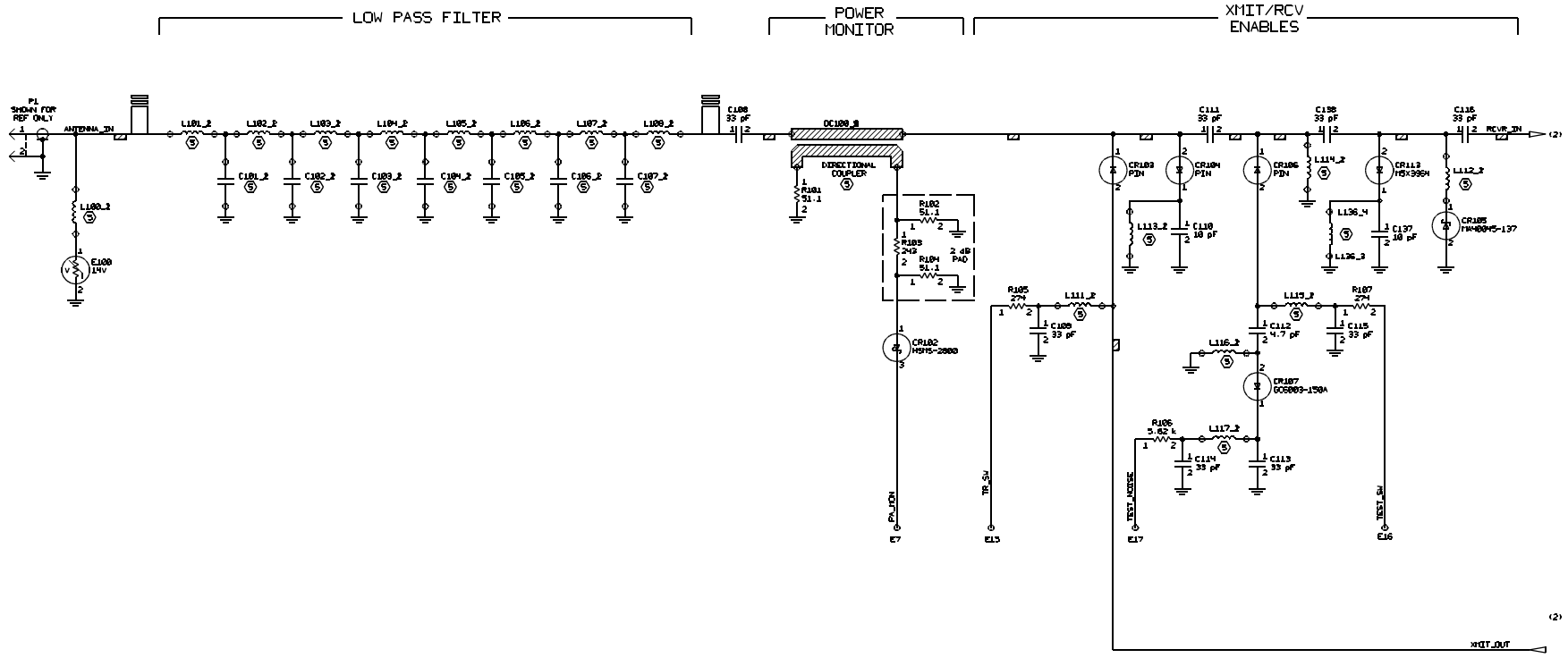


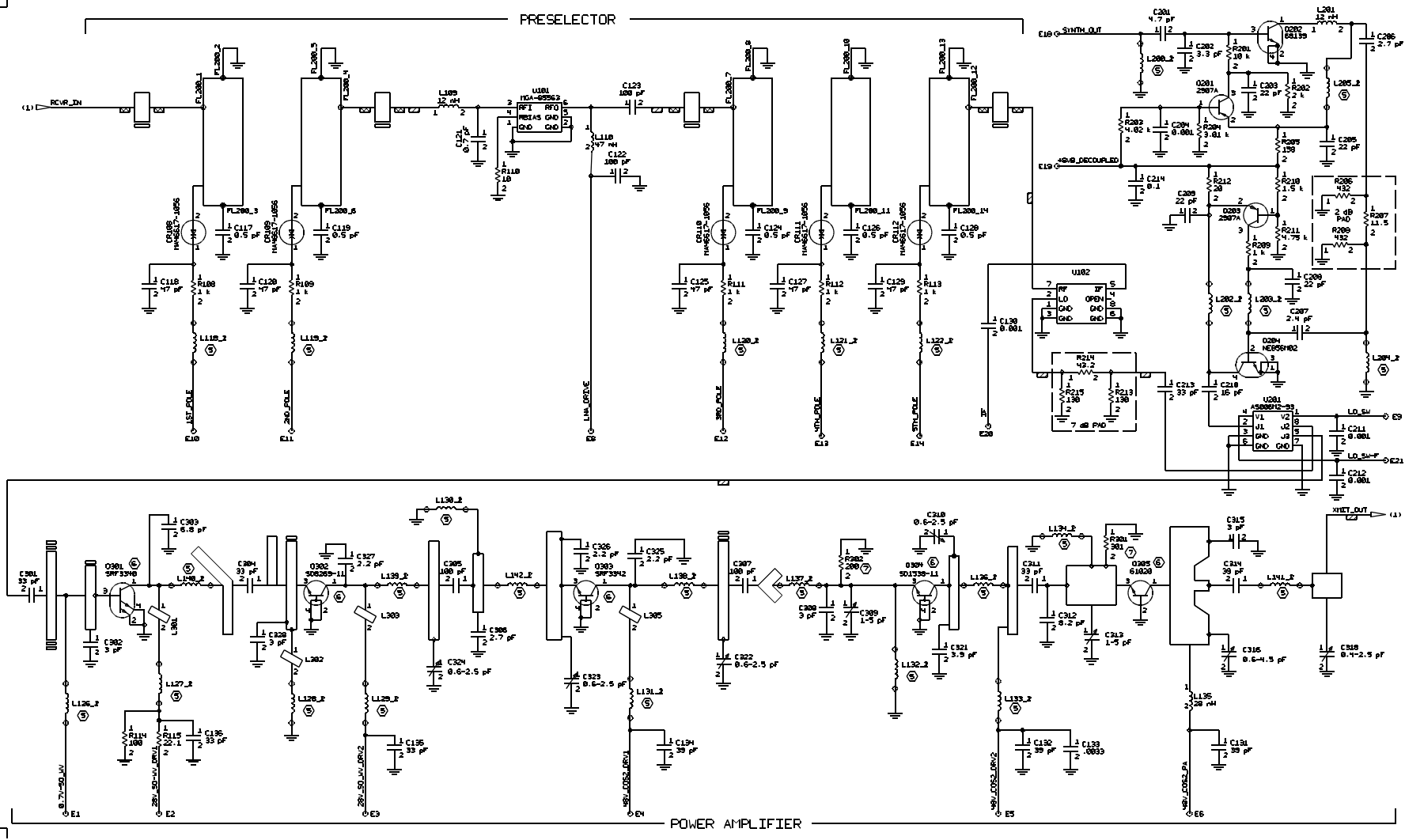
REVISIONS			
LTR	DESCRIPTION	DATE	APPD
A	PL2005	02/16/01	NS
B	RH0003	07/10/01	NS



- NOTES:
- UNLESS OTHERWISE SPECIFIED, RESISTANCE VALUES ARE IN OHMS, CAPACITANCE VALUES ARE IN MICROGRAMS, AND INDUCTANCE VALUES ARE IN MICROHENRYS.
  - PARTIAL REFERENCE DESIGNATIONS ARE SHOWN; FOR COMPLETE DESIGNATION, PREFIX WITH UNIT AND/OR ASSEMBLY DESIGNATION.
  - ALL E-POINTS (E1-21) CONNECT TO MODULATOR PC BOARD.
  - Ⓜ DENOTES 50 OHM IMPEDANCE PRINTED ELEMENT.  
Ⓢ DENOTES HIGH IMPEDANCE PRINTED ELEMENT.
  - THIS COMPONENT A PRINTED ELEMENT ON PC BOARD.
  - Ⓢ THESE COMPONENTS MAY BE INSTALLED AT A HIGHER LEVEL.
  - Ⓜ THESE COMPONENTS ARE FOR FUTURE USE AND MAY NOT BE INSTALLED.

THIS DRAWING IS CREATED FROM DIGITAL DATA

PEP: Rodney G Love DR: Richard A. Scallan DRU AND: N. Sarpoorati REV: REV: PART NO.: 828-8774-002 DRAWING TYPE NO.: CHE-14000		<b>ROCKWELL COLLINS, INC</b> 140 COLLINS RD NE OAKRIDGE, GA 30450 SCHMATIC DIAGRAM, A4 RECEIVER/TRANSMITTER	
TEST POINT: E17 TEST POINT: E15 TEST POINT: E16 TEST POINT: XMIT_OUT	TEST POINT: E17 TEST POINT: E15 TEST POINT: E16 TEST POINT: XMIT_OUT	TEST POINT: E17 TEST POINT: E15 TEST POINT: E16 TEST POINT: XMIT_OUT	TEST POINT: E17 TEST POINT: E15 TEST POINT: E16 TEST POINT: XMIT_OUT
TEST POINT: E17 TEST POINT: E15 TEST POINT: E16 TEST POINT: XMIT_OUT	TEST POINT: E17 TEST POINT: E15 TEST POINT: E16 TEST POINT: XMIT_OUT	TEST POINT: E17 TEST POINT: E15 TEST POINT: E16 TEST POINT: XMIT_OUT	TEST POINT: E17 TEST POINT: E15 TEST POINT: E16 TEST POINT: XMIT_OUT



THIS DRAWING IS CREATED FROM DIGITAL DATA

REV	CHK CODE	DOC NO.	REV LTP
D	4V792	828-8774-002	B
REVISIONS		SCALE	SHEET
NONE		NONE	2
DIGITAL DATA ONLY NO HYSTER UNCLASD 07/10/2001 14:14			

REVISIONS LISTED FROM 001 TO 002