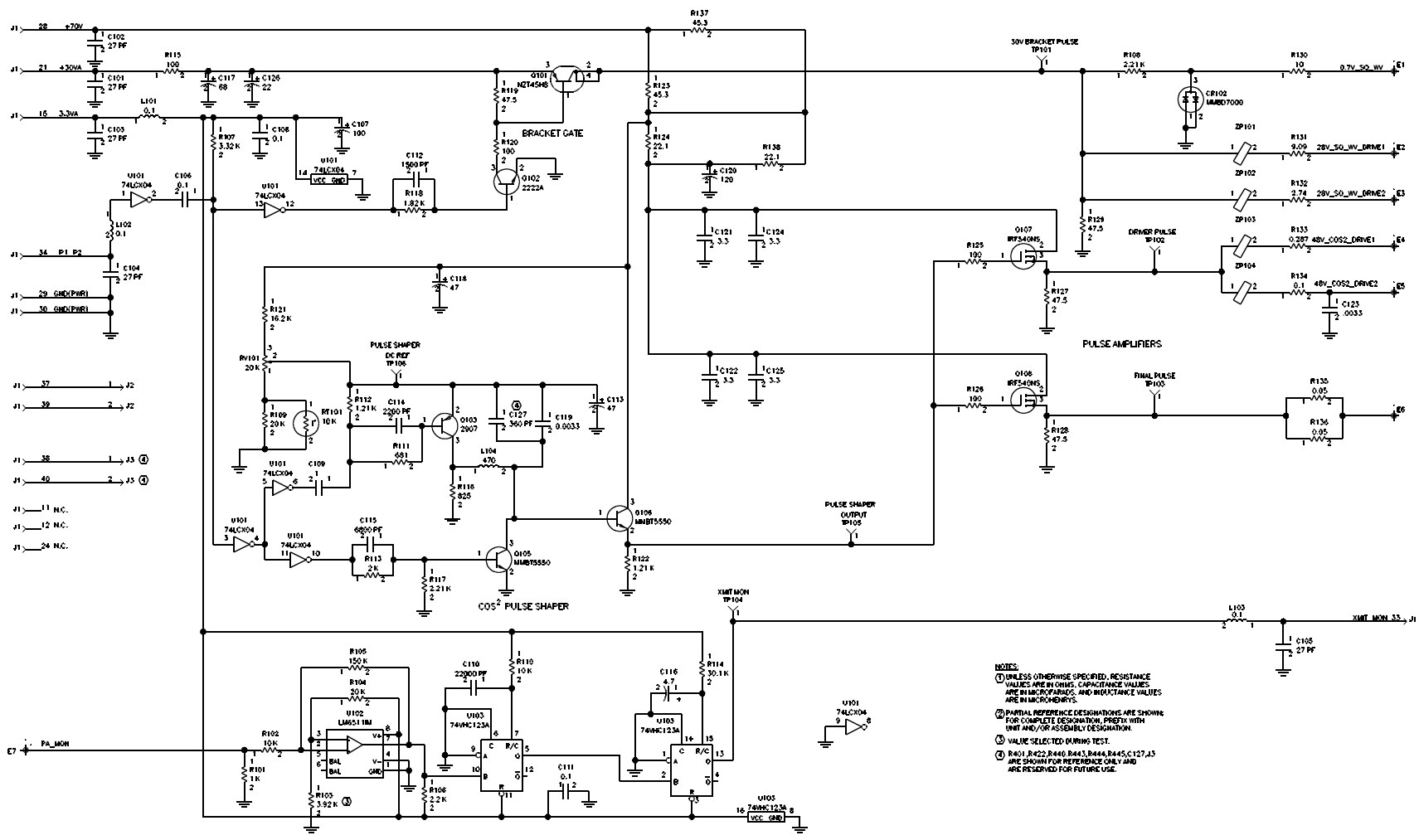


| REV | DESCRIPTION | DATE     | BY |
|-----|-------------|----------|----|
| A   | RL4759      | 03/28/01 | NS |
| B   | RA09003     | 07/09/01 | NS |



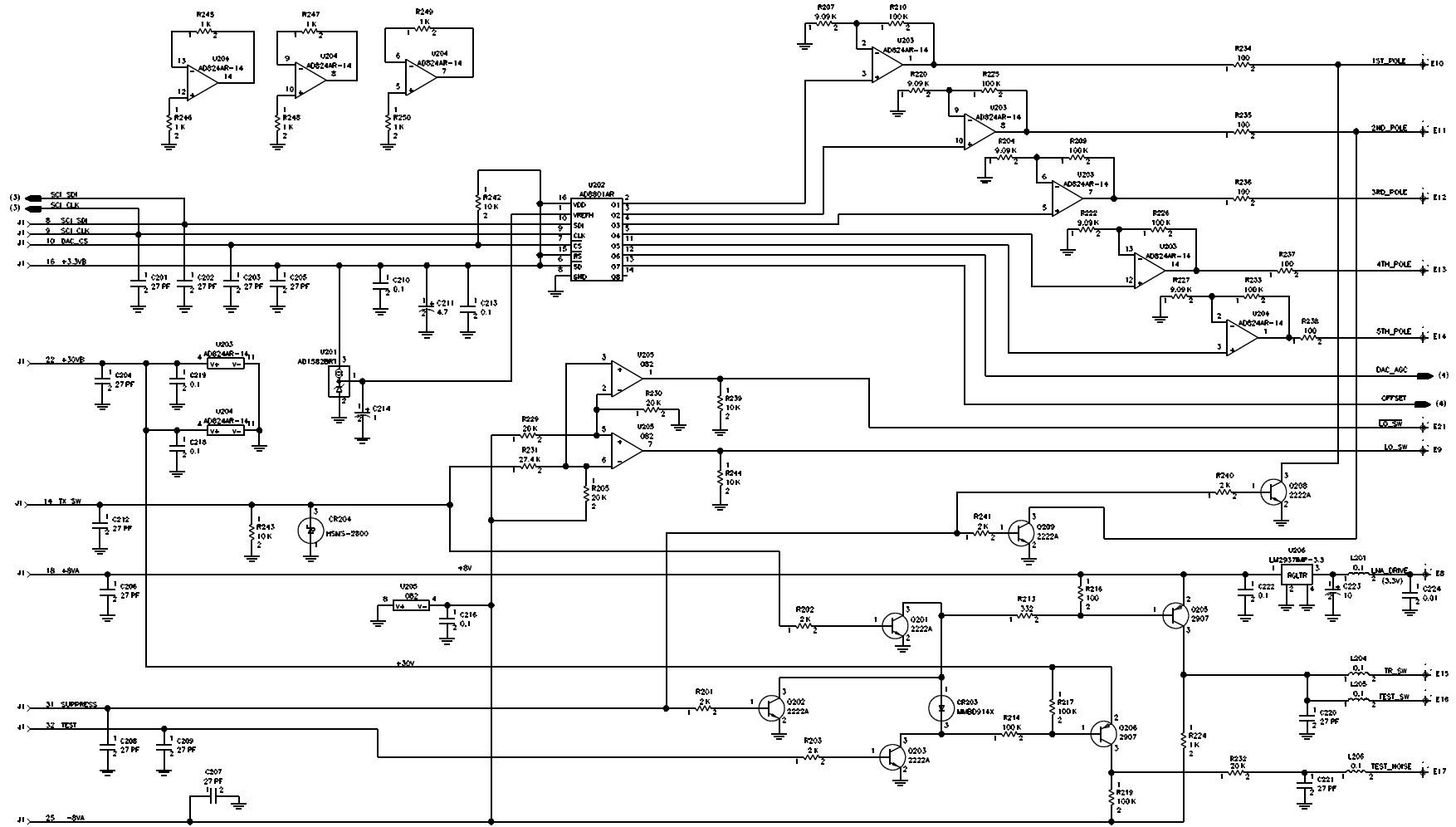
- J1 28 → J2
- J1 21 → J2
- J1 15 → J2
- J1 34 → J2
- J1 29 → J2
- J1 30 → J2
- J1 37 → J2
- J1 39 → J2
- J1 38 → J3
- J1 40 → J3
- J1 11 N.C.
- J1 12 N.C.
- J1 24 N.C.

- NOTES:
- UNLESS OTHERWISE SPECIFIED, RESISTANCE VALUES ARE IN OHMS, CAPACITANCE VALUES ARE IN MICROFARADS, AND INDUCTANCE VALUES ARE IN MICROHENRYS.
  - PARTIAL REFERENCE DESIGNATIONS ARE SHOWN FOR COMPLETE DESIGNATION, PARTS WITH UNIT AND/OR ASSEMBLY DESIGNATION.
  - VALUE SELECTED DURING TEST.
  - R401, R422, R440, R443, R444, R445, C127, J3 ARE SHOWN FOR REFERENCE ONLY AND ARE RESERVED FOR FUTURE USE.

THIS DRAWING IS CREATED FROM DIGITAL DATA

ROCKWELL COLLINS  
PROPRIETARY INFORMATION

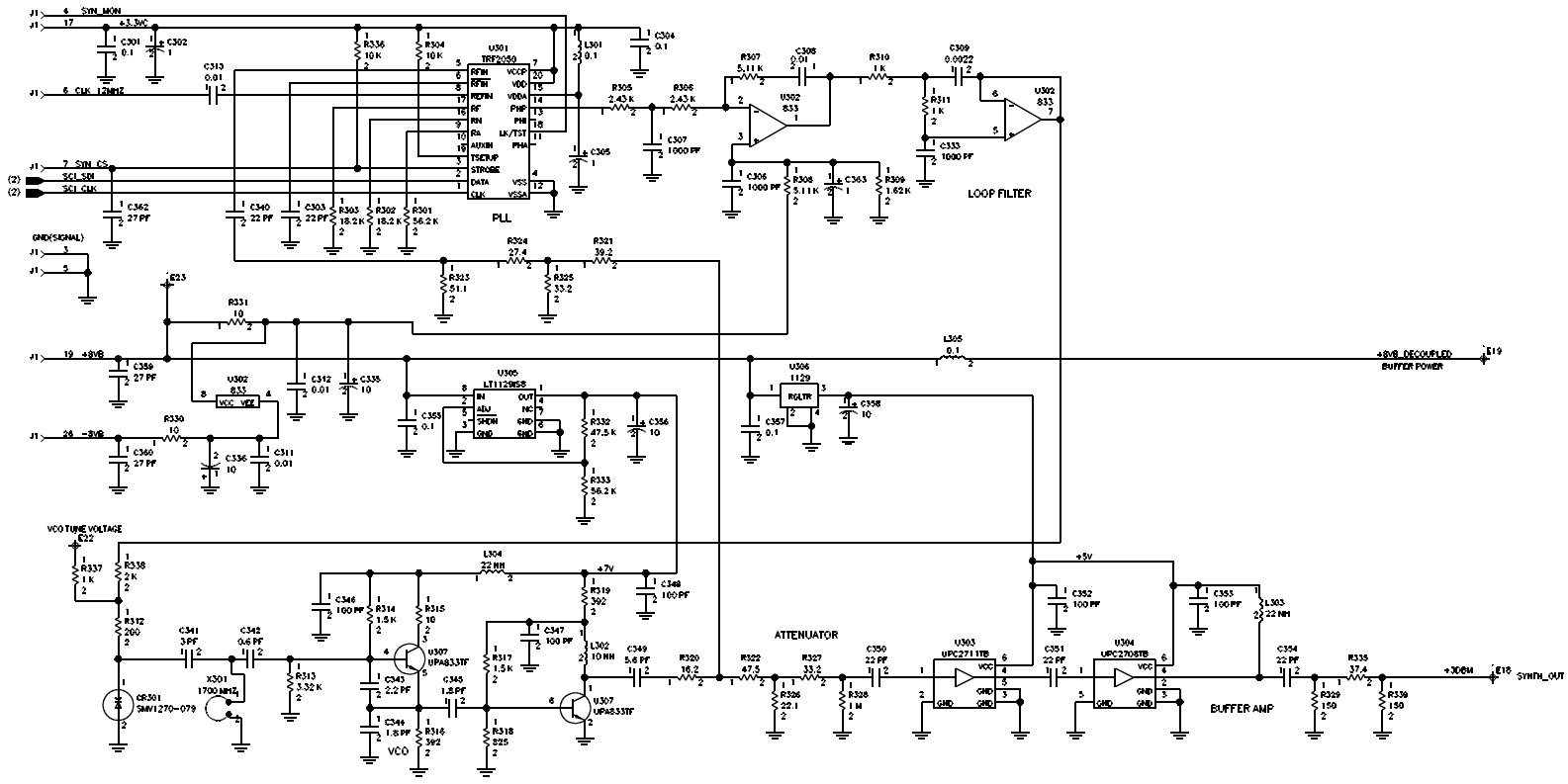
|                                  |                                                                    |                   |             |
|----------------------------------|--------------------------------------------------------------------|-------------------|-------------|
| PREP<br>Rodney G Love            | ROCKWELL COLLINS, INC<br>400 COLLINS RD. NE CEDAR RAPIDS, IA 52498 |                   |             |
| CHKD<br>Richard A. Scobee        | SCHEMATIC DIAGRAM,<br>MODULATOR/IF/SYNTH                           |                   |             |
| DESIGNED BY<br>H. Sappotaki      | SIZE<br>D                                                          | QDC CODE<br>4V792 | REV UP<br>B |
| REVISED PART NO.<br>828-3373-002 | SCALE<br>NONE                                                      | DATE<br>07/10/01  | REV UP<br>B |



THIS DRAWING IS CREATED FROM DIGITAL DATA

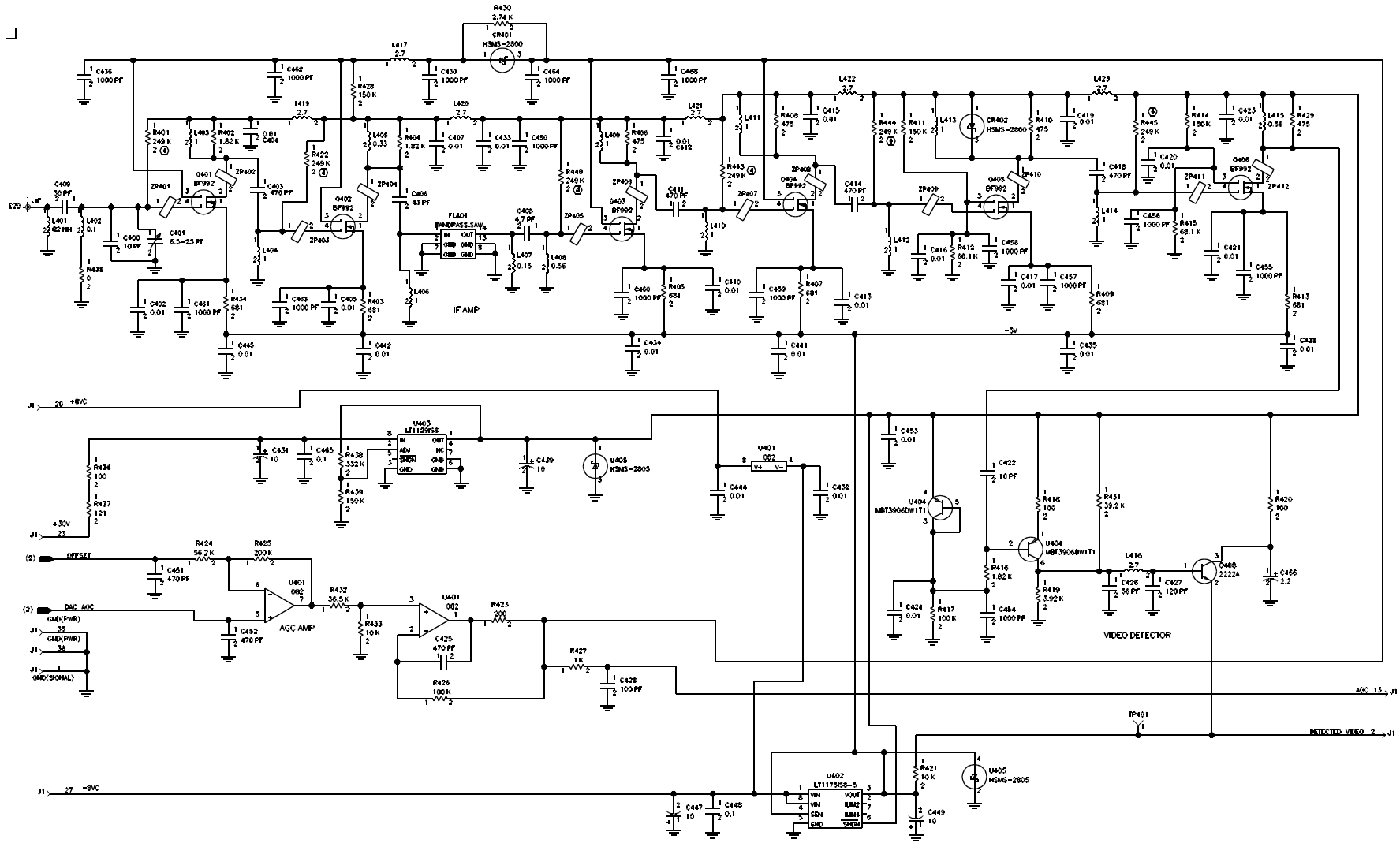
|                                             |            |           |                    |                            |               |
|---------------------------------------------|------------|-----------|--------------------|----------------------------|---------------|
| ROCKWELL COLLINS<br>PROPRIETARY INFORMATION |            | SIZE<br>D | CODE CODE<br>4V792 | DESIGN NO.<br>828-8773-002 | REV. LTR<br>B |
| SCALE<br>NONE                               | SHEET<br>2 |           |                    |                            |               |

REV. 01/01/01 06:55



THIS DRAWING IS CREATED FROM DIGITAL DATA

|       |       |              |     |
|-------|-------|--------------|-----|
| SIZE  | CODE  | DESIGN NO.   | REV |
| D     | 4V792 | 828-8773-002 | B   |
| SCALE | NONE  | SHEET        | 3   |



THIS DRAWING IS CREATED FROM DIGITAL DATA

|       |       |              |           |
|-------|-------|--------------|-----------|
| SIZE  | CODE  | DESIGN NO.   | REV. LVL. |
| D     | 4V792 | 828-8773-002 | B         |
| SCALE | NONE  | SHEET        | 4         |

Rockwell Collins