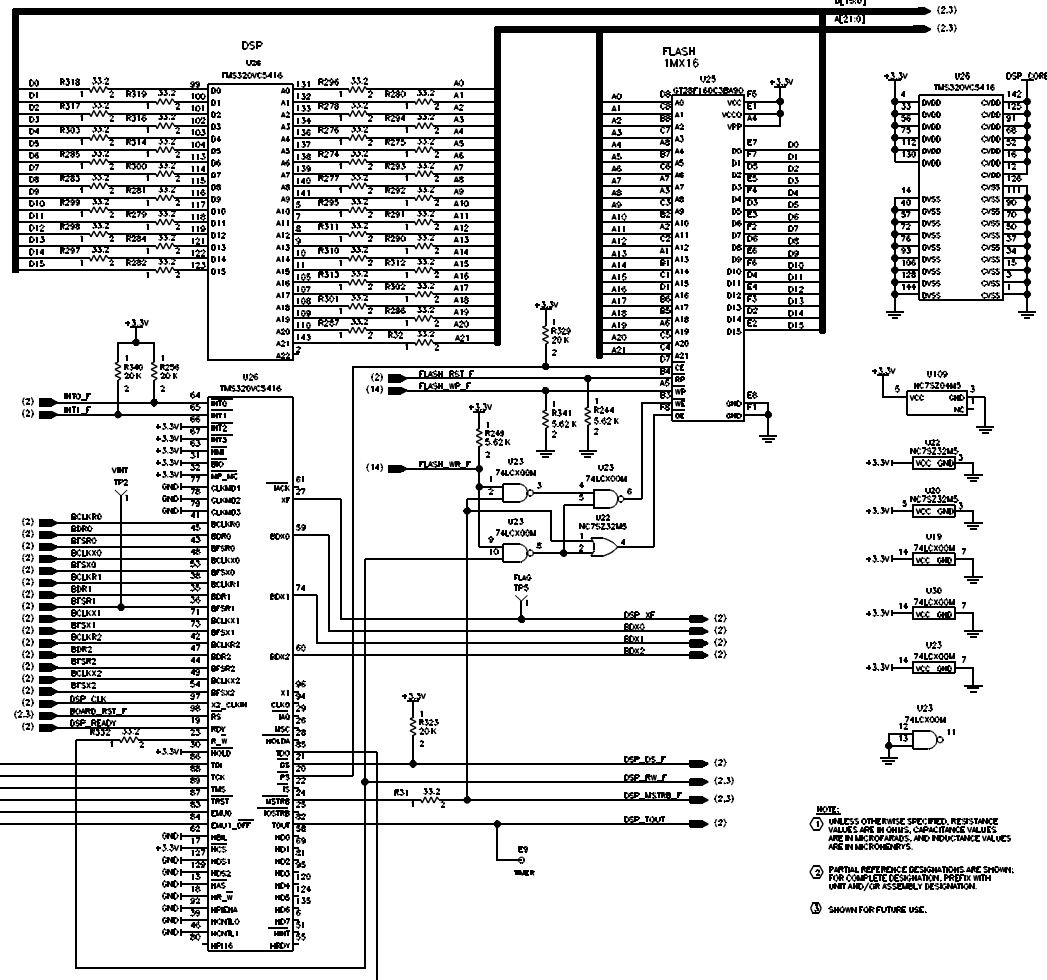
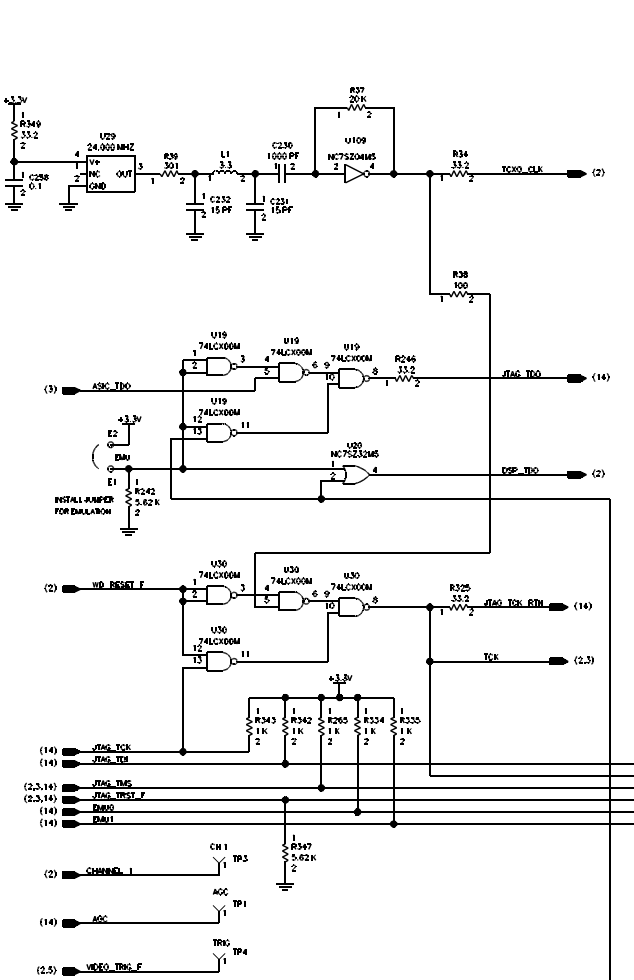


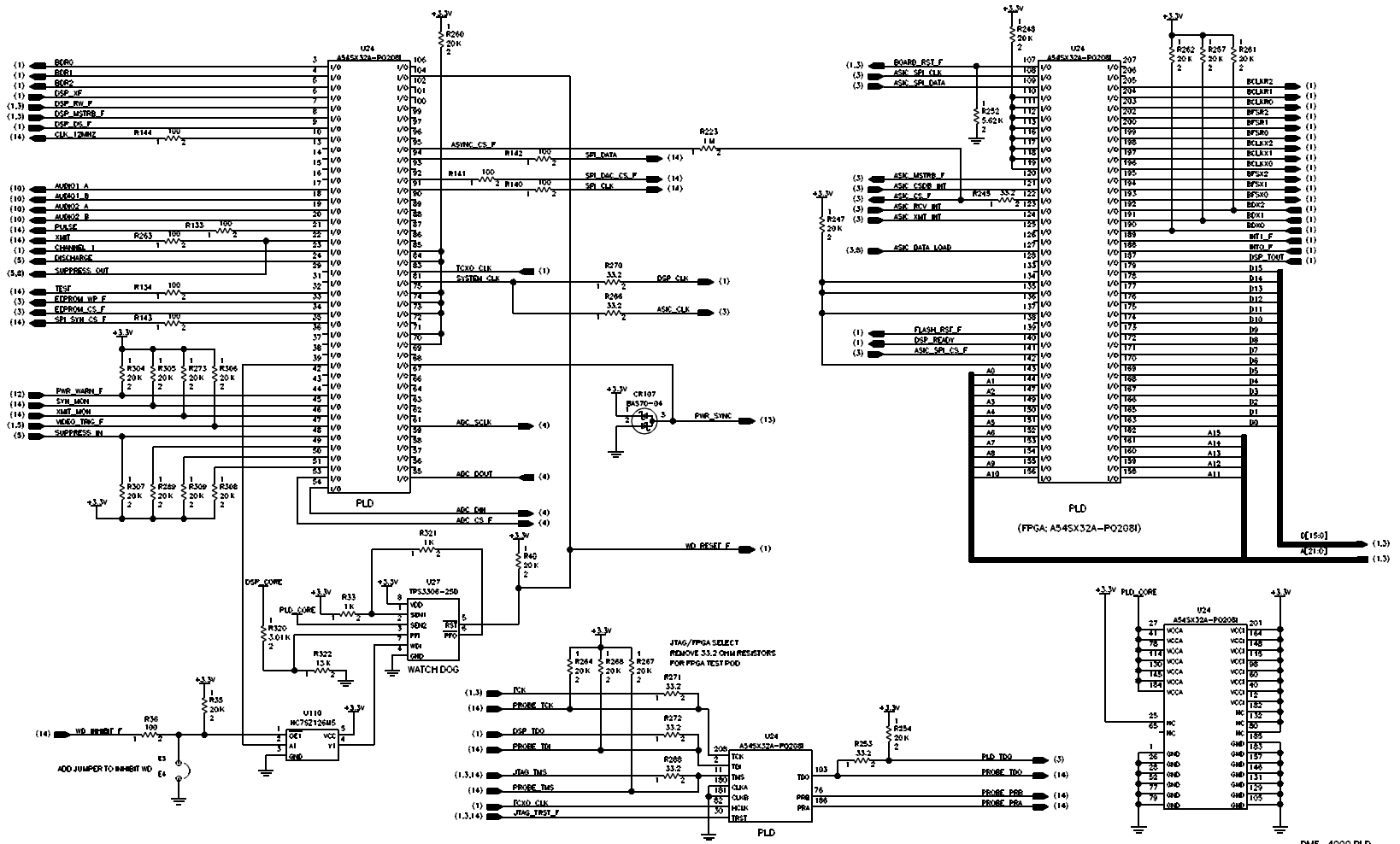
LP	DESCRIPTION	DATE	APP
A	RL4443	05/10/01	H.S.
B	RM9903	07/03/01	H.S.



- NOTE:
- UNLESS OTHERWISE SPECIFIED, RESISTANCE VALUES ARE IN OHMS, CAPACITANCE VALUES ARE IN MICROFARADS, AND INDUCTANCE VALUES ARE IN MICROHENRYS.
  - PARTIAL REFERENCE DESIGNATIONS ARE SHOWN; FOR COMPLETE DESIGNATION, PREFIX WITH UNIT AND/OR PC BOARD DESIGNATION.
  - SHOWN FOR FUTURE USE.

THIS DRAWING IS CREATED FROM DIGITAL DATA

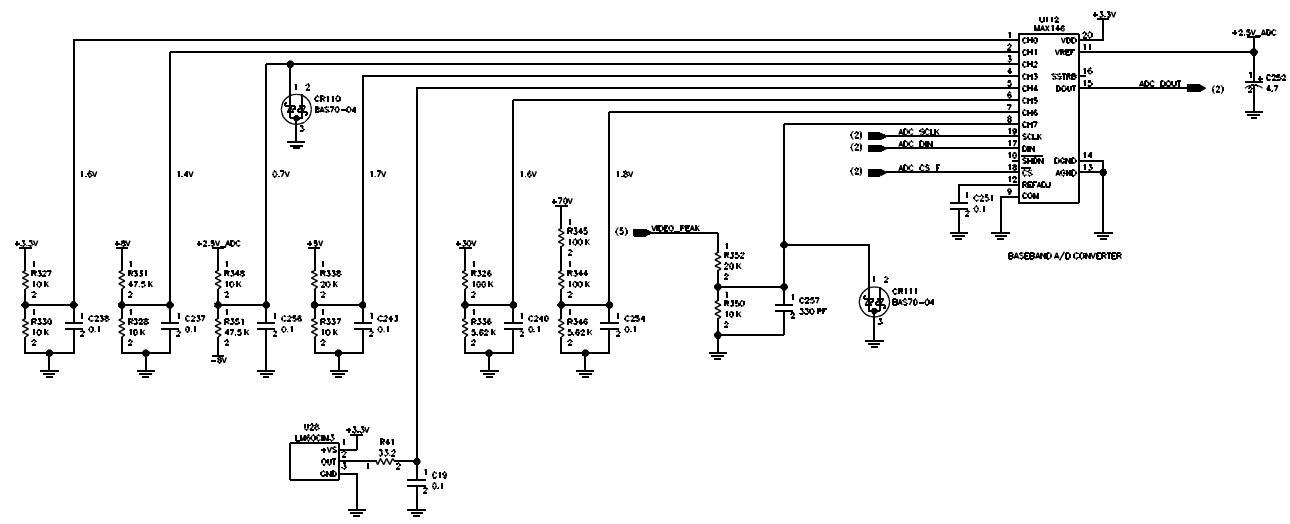
Prep: Rodney G. Love 400 COLLINS RD., NE CEDAR RAPIDS, IA 52408	
Des: Richard A. Scobee N. Comptrolis	
Title: SCHEMATIC DIAGRAM, DSP/POWER SUPPLY	
Part: 828-8772-002	Size: D Code: 4V792 Date: 828-8772-002
Author: N. Comptrolis	Date: 07/31/01 08:42
Rev: 1	Sheet: 1 of 14



THIS DRAWING IS CREATED FROM DIGITAL DATA

REV: D	ONE CODE: 4V792	REV. NO.: 828-8772-002	REV. DATE: B
SCALE: NONE	ROCKWELL COLLINS PROPRIETARY INFORMATION.		SHEET: 2

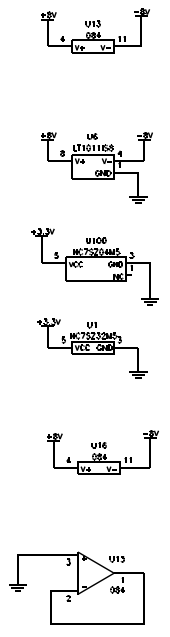
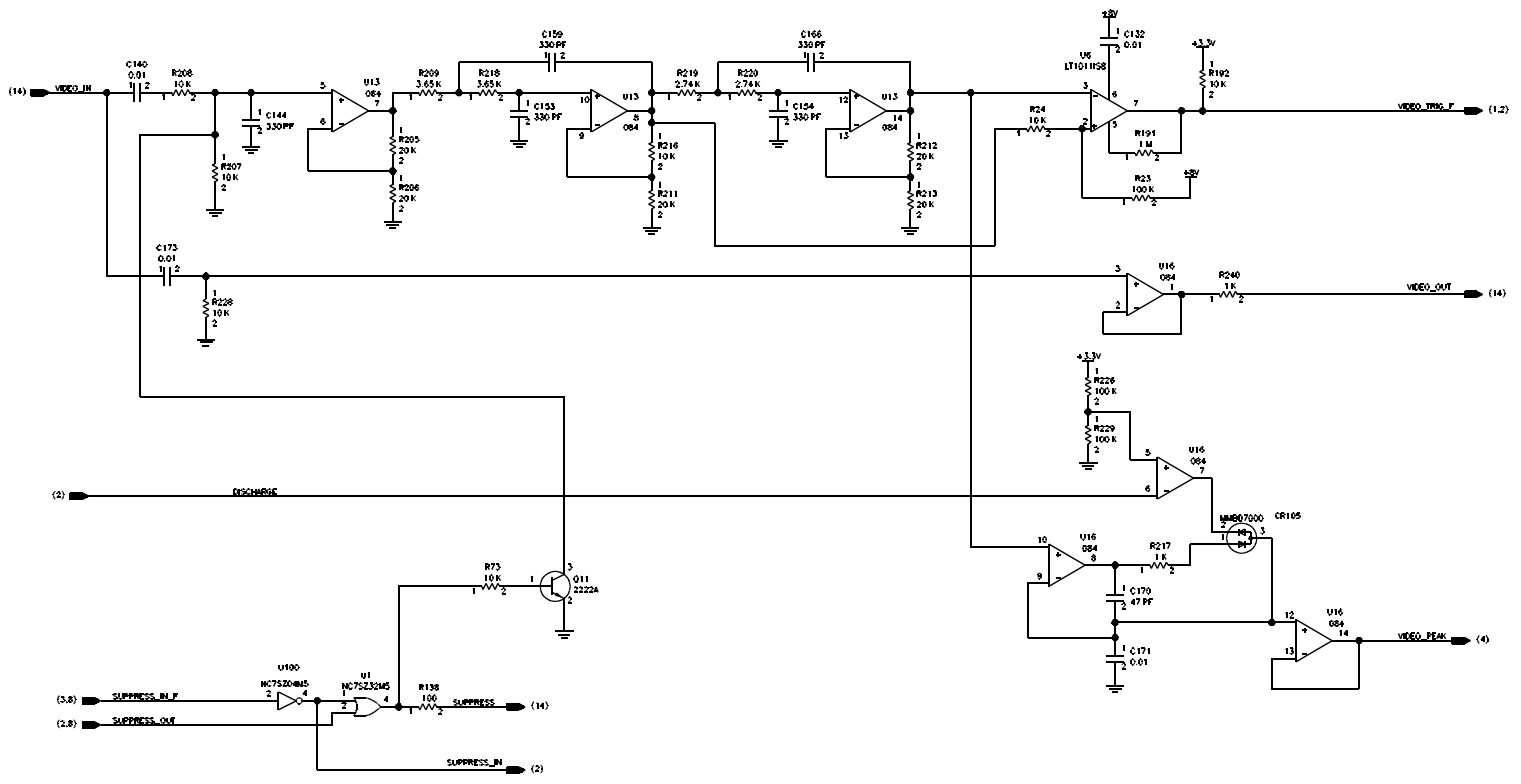




DME-4000 ANALOG CONTROL

THIS DRAWING IS CREATED FROM DIGITAL DATA

SIZE	CODE	REV	REV
D	4V792	828-8772-002	B
SCALE	NONE	SHEET	4

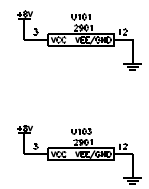
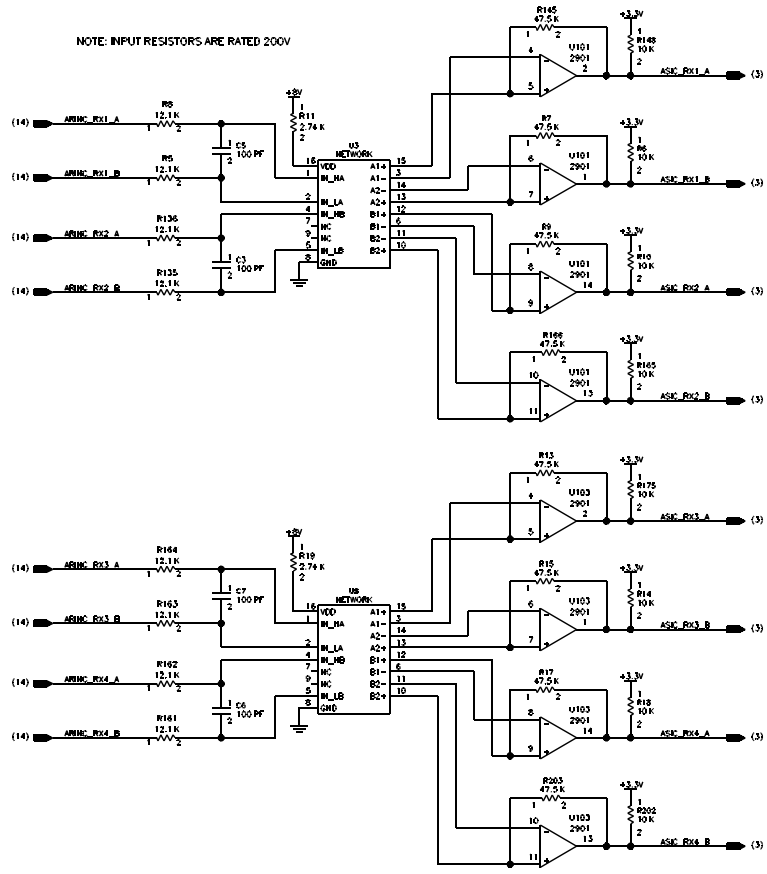


DME-4000 RANGE PROCESSOR

THIS DRAWING IS CREATED FROM DIGITAL DATA

SIZE	DATE CODE	QTY	REV
D	4V792	828-8772-002	B
SCALE	HOME		SHEET
			5

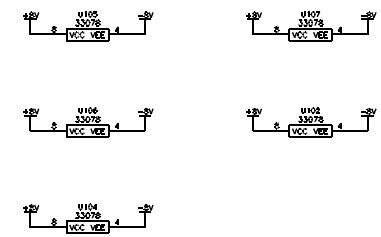
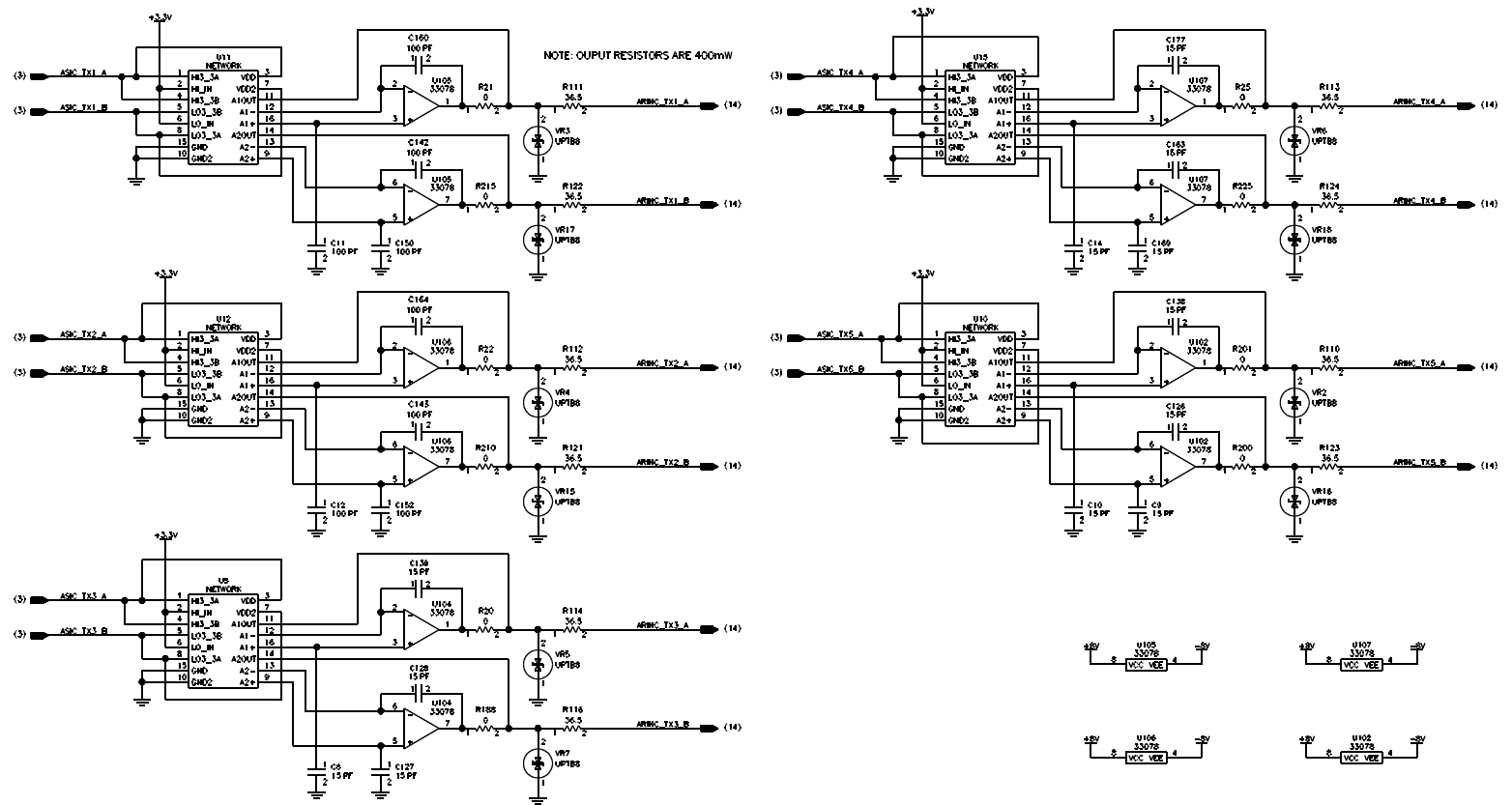
NOTE: INPUT RESISTORS ARE RATED 200V



DME-4000 ARINC RECEIVERS

THIS DRAWING IS CREATED FROM DIGITAL DATA

REV	4V792	REV. NO.	828-8772-002	REV. DATE	B
DATE	07/31/01	TIME	08:42	DESIGNER	6



DME-4000 ARINC TRANSMITTERS

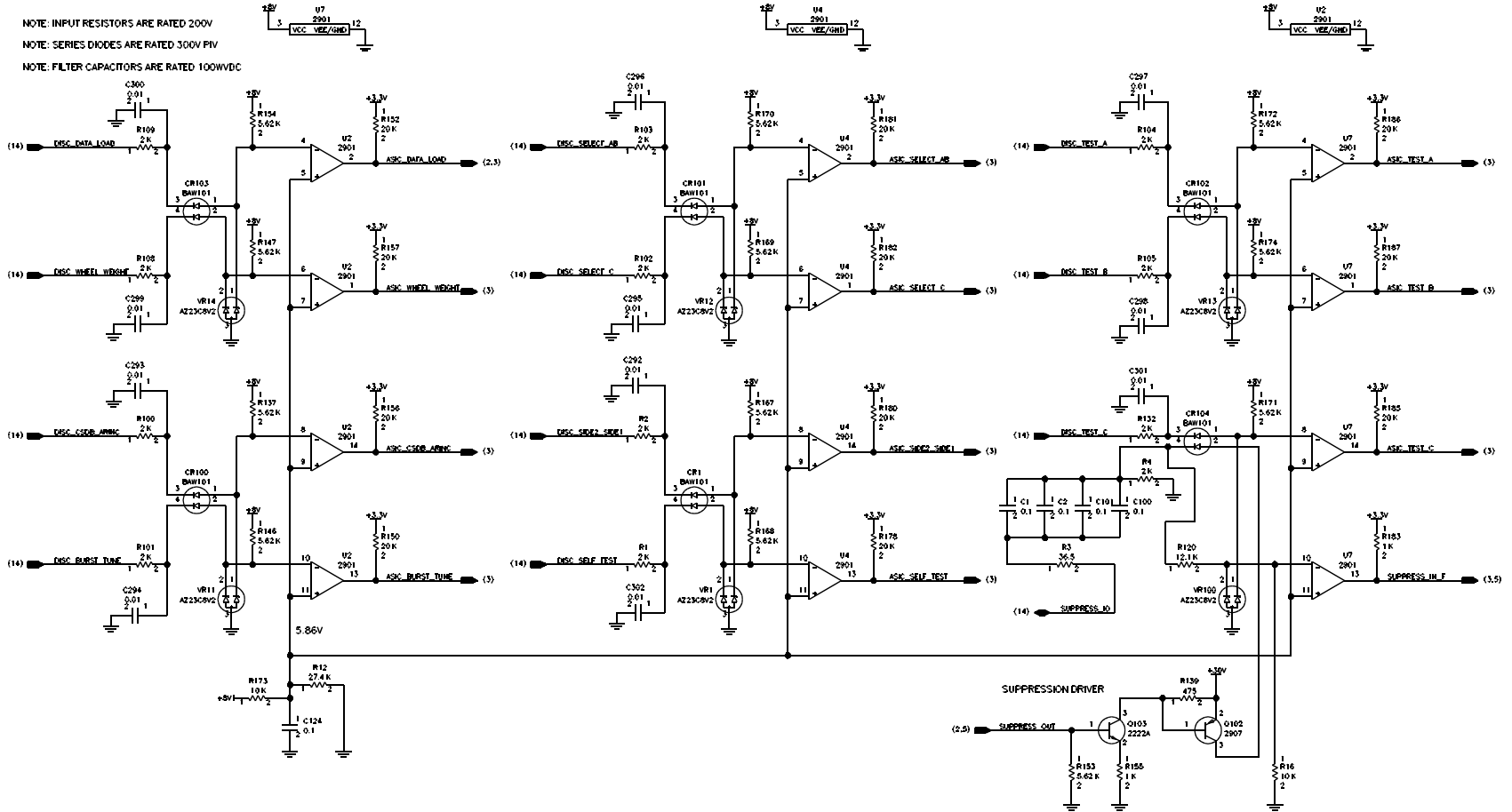
THIS DRAWING IS CREATED FROM DIGITAL DATA

REV	CHK CODE	CHK NO.	REV. DATE
D	4V792	828-8772-002	B
SCALE	HOME		SHEET
			7

NOTE: INPUT RESISTORS ARE RATED 200V

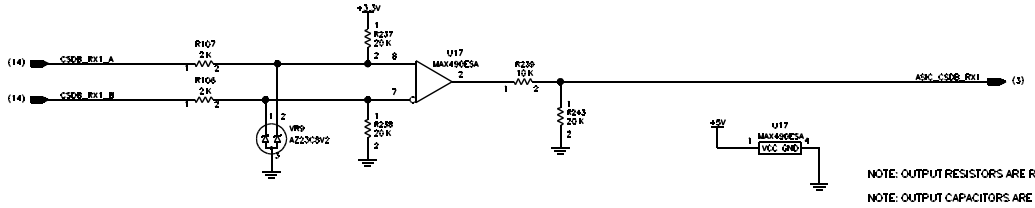
NOTE: SERIES DIODES ARE RATED 300V PIV

NOTE: FILTER CAPACITORS ARE RATED 100WVDC

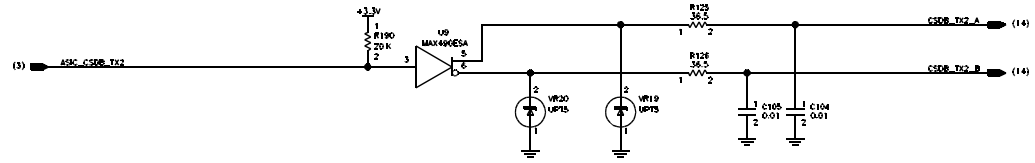
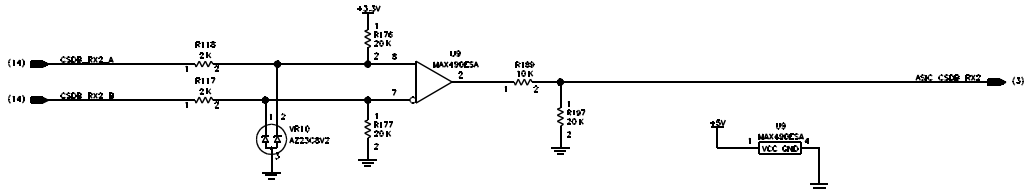
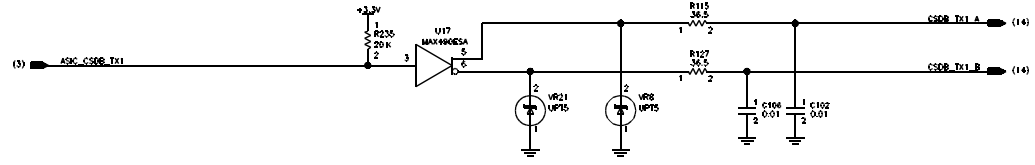




NOTE: INPUT RESISTORS ARE RATED 200V



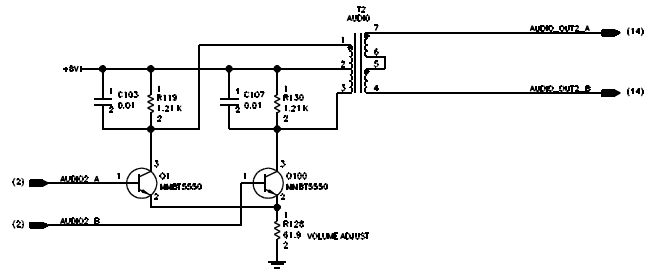
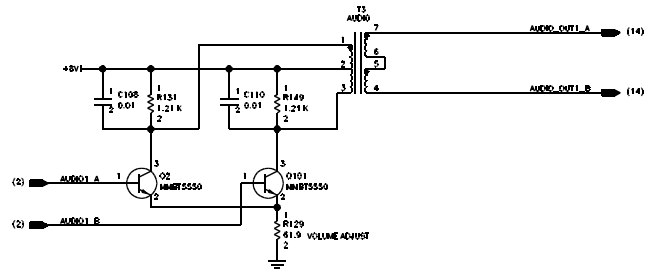
NOTE: OUTPUT RESISTORS ARE RATED 400mW  
NOTE: OUTPUT CAPACITORS ARE RATED 200V



DME-4000 CSDB TRANSCEIVERS

THIS DRAWING IS CREATED FROM DIGITAL DATA

REV: D	CHG CODE: 4V792	QTY: 828-8772-002	REV: B
SCALE: NONE			SHEET: 9



50mW AUDIO AMP

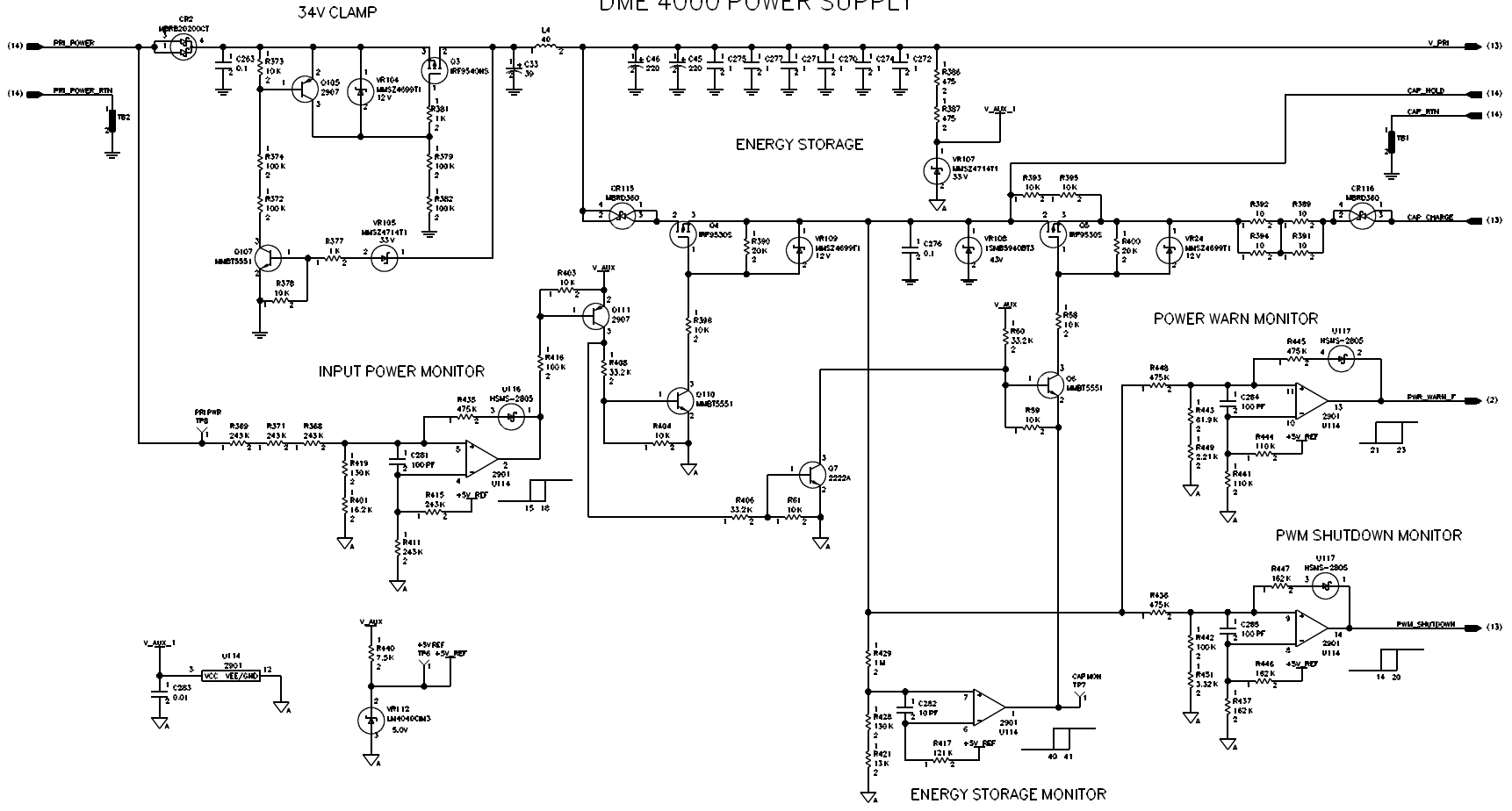
DME-4000 AUDIO AMPLIFIERS

THIS DRAWING IS CREATED FROM DIGITAL DATA

REV	4V792	REV. NO.	828-8772-002	REV. OF	B
DATE	10/01/01	SCALE	NONE	SHEET	10



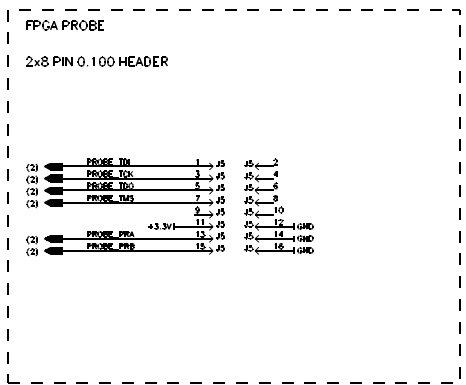
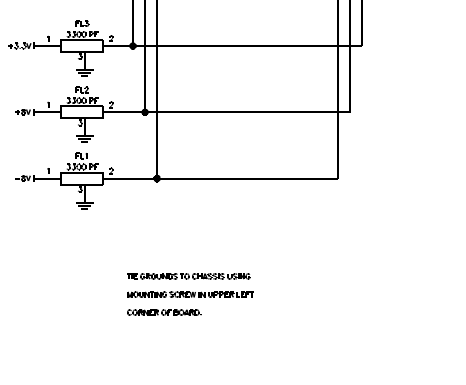
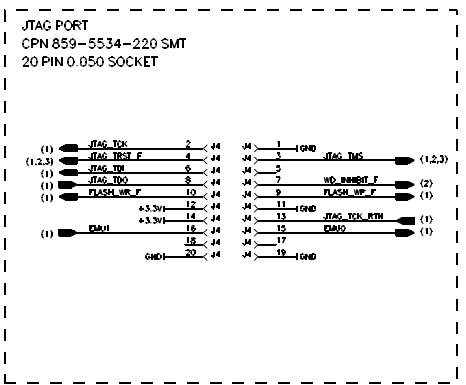
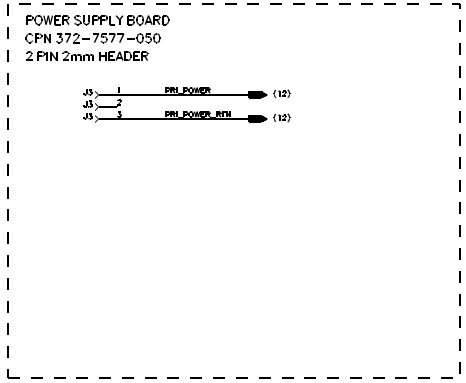
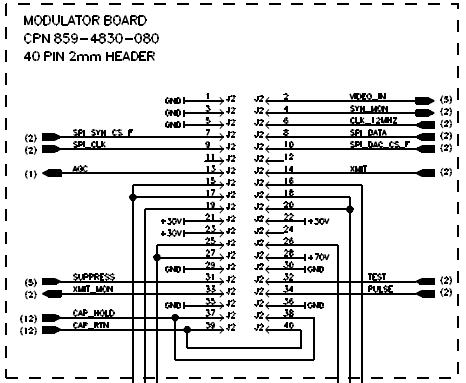
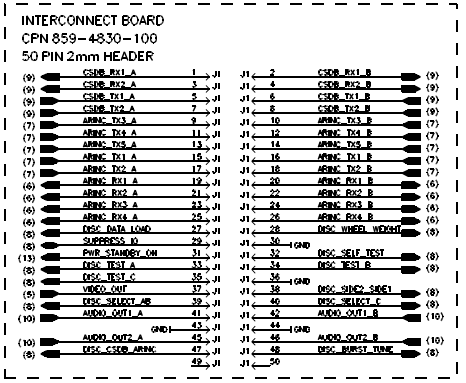
# DME 4000 POWER SUPPLY



THIS DRAWING IS CREATED FROM DIGITAL DATA

REV	DATE	REV. NO.	REV. DATE
D	4/7/92	828-8772-002	B
SCALE	NONE		SHEET 12





THE GROUNDS TO CHASSIS USING  
 MOUNTING SCREWS IN UPPER LEFT  
 CORNER OF BOARD.

DME-4000 CONNECTORS

THIS DRAWING IS CREATED FROM DIGITAL DATA

SIZE	DATE CODE	QTY	REV	REV
D	4V792	828-8772-002		B
SCALE	NAME		DATE	14