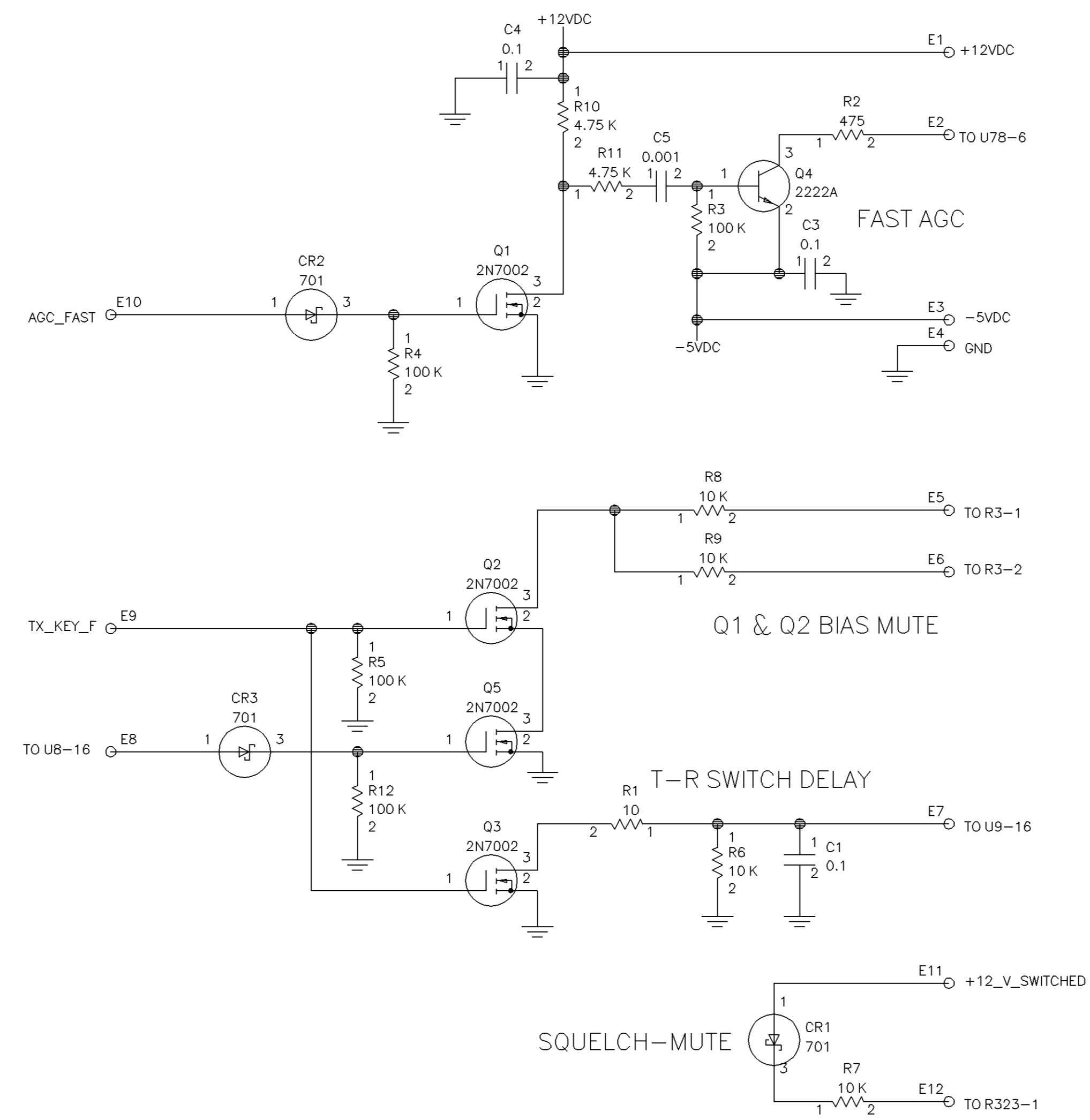


REVISIONS			
LTR	DESCRIPTION	DATE	APVD

NOTES:
 ① UNLESS OTHERWISE SPECIFIED, RESISTANCE VALUES ARE IN OHMS, CAPACITANCE VALUES ARE IN MICROFARADS, AND INDUCTANCE VALUES ARE IN MICROHENRYS.
 ② PARTIAL REFERENCE DESIGNATIONS ARE SHOWN; FOR COMPLETE DESIGNATION, PREFIX WITH UNIT AND/OR ASSEMBLY DESIGNATION.



THIS DRAWING IS CREATED FROM DIGITAL DATA

ROCKWELL PROPRIETARY INFORMATION.

PREP Terry L. Stine	ROCKWELL INTERNATIONAL CORPORATION COLLINS AVIONICS GROUP - COMMERCIAL CEDAR RAPIDS, IA 52498			
CHK Al C. Majaika	SCHEMATIC DIAGRAM, VDL MODE 2 DAUGHTER			
ENG APVD F. Studenberg	SIZE D	CAGE CODE 4V792	DWG NO. 828-6255-002	REV LTR -
NEXT ASSY PART NO. 828-1255-002	SCALE NONE	SHEET 1 OF 1		
EQUIPMENT TYPE NO. VHF-920	DIGITAL DATA ONLY NO MASTER TRACING		NFP <input type="checkbox"/> REL <input type="checkbox"/> CR <input checked="" type="checkbox"/> MB <input type="checkbox"/>	