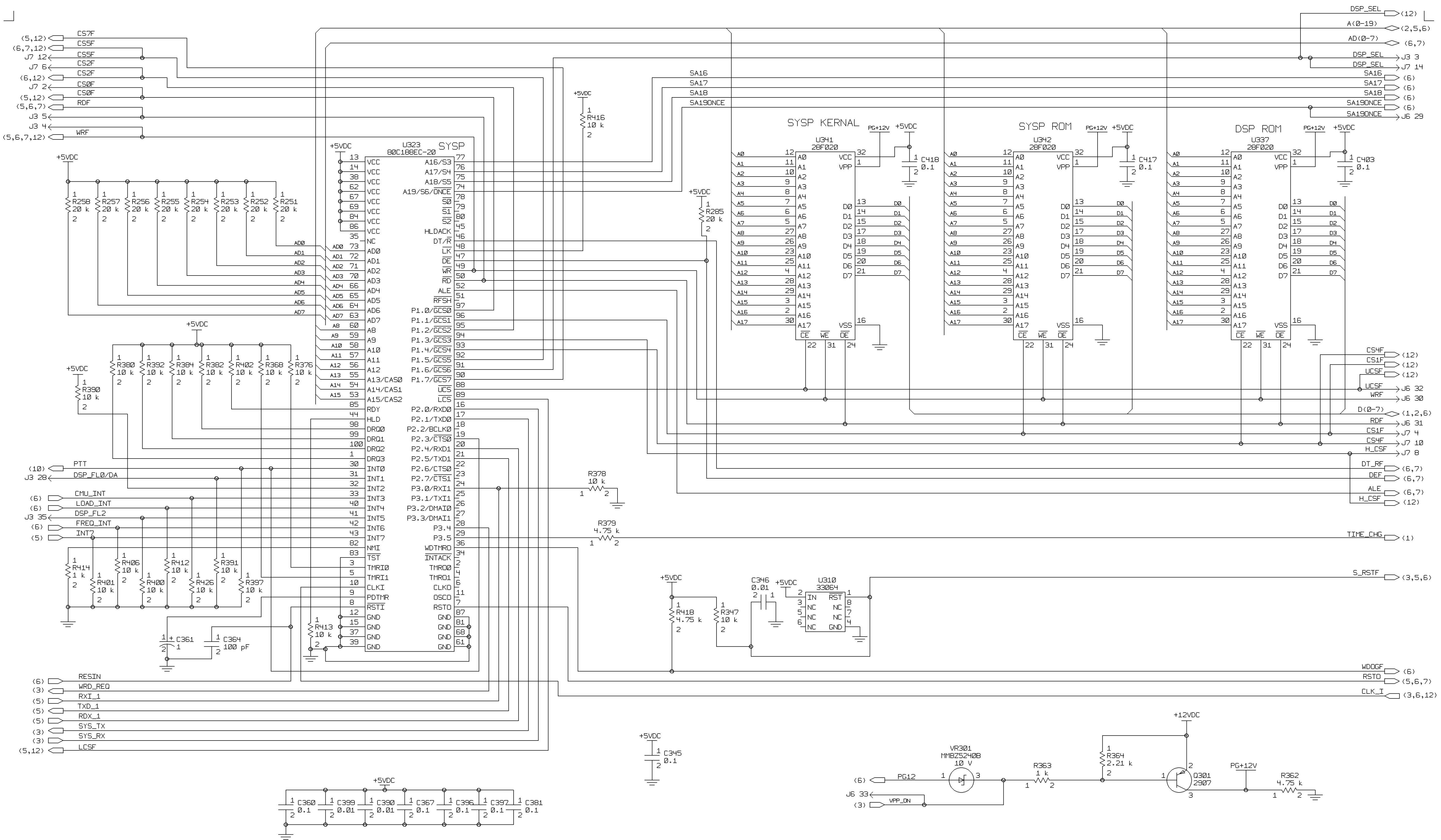


THIS DRAWING IS CREATED FROM DIGITAL DATA

SIZE	CAGE CODE	DWG NO.	REV LTR
D	4V792	828-5676-101	-
ROCKWELL PROPRIETARY INFORMATION.		SCALE	SHEET
		NONE	2

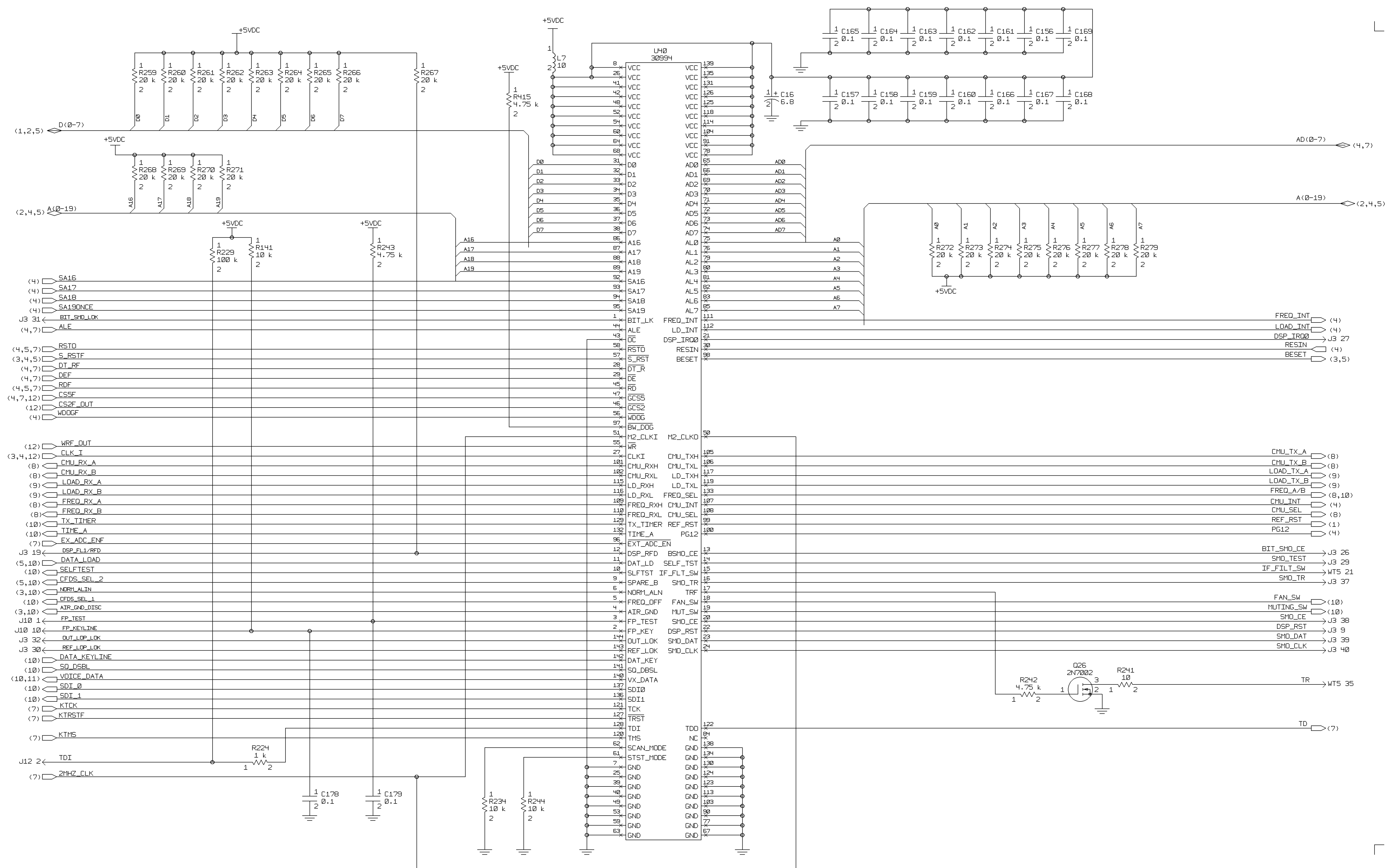
THIS DRAWING CREATED FROM RICAL/REDCAL DIGITAL DATA



THIS DRAWING IS CREATED FROM DIGITAL DATA

SIZE	CAGE CODE	DWG NO.	REV LTR
D	4V792	828-5676-101	-
ROCKWELL PROPRIETARY INFORMATION. SCALE NONE		SHEET 4	

THIS DRAWING IS CREATED FROM DIGITAL DATA



(1,2,5) D(0-7)

(2,4,5) A(0-19)

(4) SA16

(4) SA17

(4) SA18

(4) SA19

J3 31 BIT_SMD_LCK

(4,7) ALE

(4,5,7) RSTO

(3,4,5) S_RSTF

(4,7) DT_RF

(4,7) DEF

(4,5,7) RDF

(4,7,12) CS5F

(12) CS2F_OUT

(4) WDOG

(12) WRF_OUT

(3,4,12) CLK_I

(8) CMU_RX_A

(8) CMU_RX_B

(9) LOAD_RX_A

(9) LOAD_RX_B

(8) FREQ_RX_A

(8) FREQ_RX_B

(10) TX_TIMER

(10) TIME_A

(7) EX_ADC_ENF

J3 19 DSP_FLT/RFD

(5,10) DATA_LOAD

(10) SELFTEST

(5,10) CFDS_SEL_2

(3,10) NERRM_LALN

(10) CFDS_SEL_1

(3,10) AIR_GND_DISC

J10 1 FP_TEST

J10 10 FP_KEYLINE

J3 32 OUT_LOP_LCK

J3 30 REF_LOP_LCK

(10) DATA_KEYLINE

(10) SD_DSBL

(10,11) VOICE_DATA

(10) SDI_0

(10) SDI_1

(7) KTCK

(7) KTRSTF

(7) KTMS

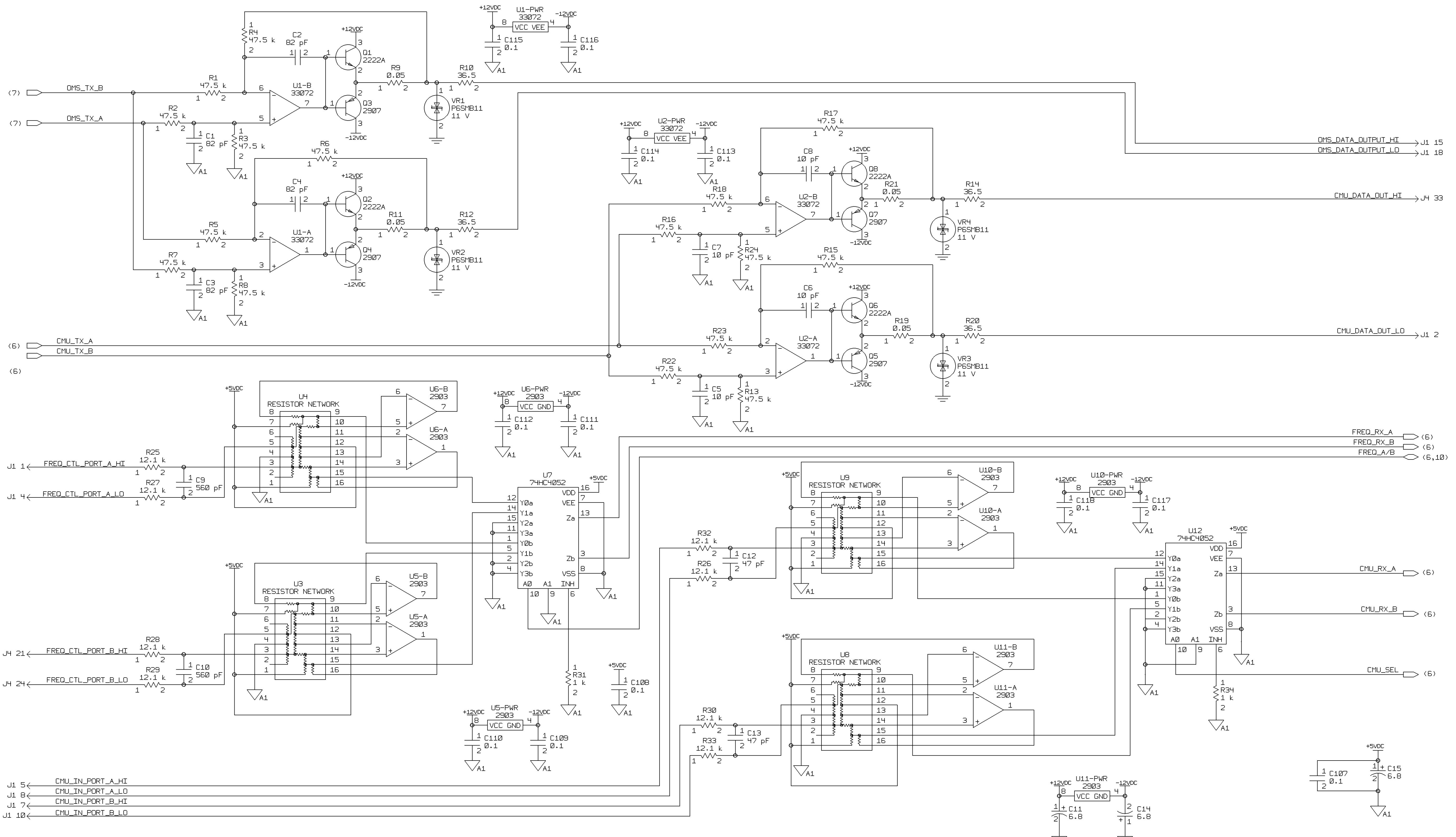
J12 2 TDI

(7) 2MHz_CLK

THIS DRAWING IS CREATED FROM DIGITAL DATA

SIZE	CASE CODE	DWG NO.	REV LTR
D	4V792	828-5676-101	-
ROCKWELL PROPRIETARY INFORMATION.		SCALE	SHEET
NONE		6	6

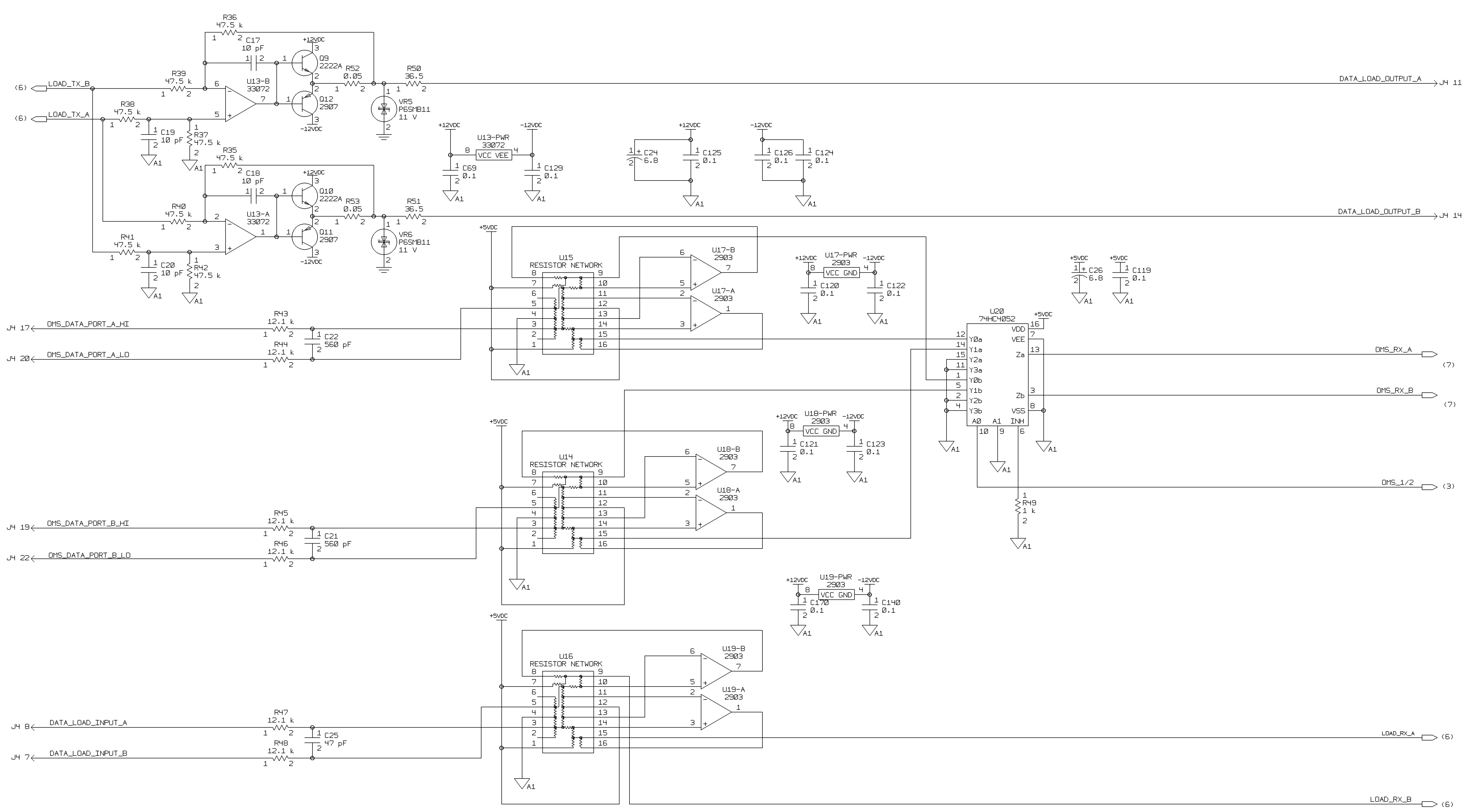
THIS DRAWING CREATED FROM RICAL/REDAC DIGITAL DATA



THIS DRAWING IS CREATED FROM DIGITAL DATA

SIZE	CASE CODE	DWG NO.	REV LTR
D	4V792	828-5676-101	-
ROCKWELL PROPRIETARY INFORMATION. SCALE NONE		SHEET	8

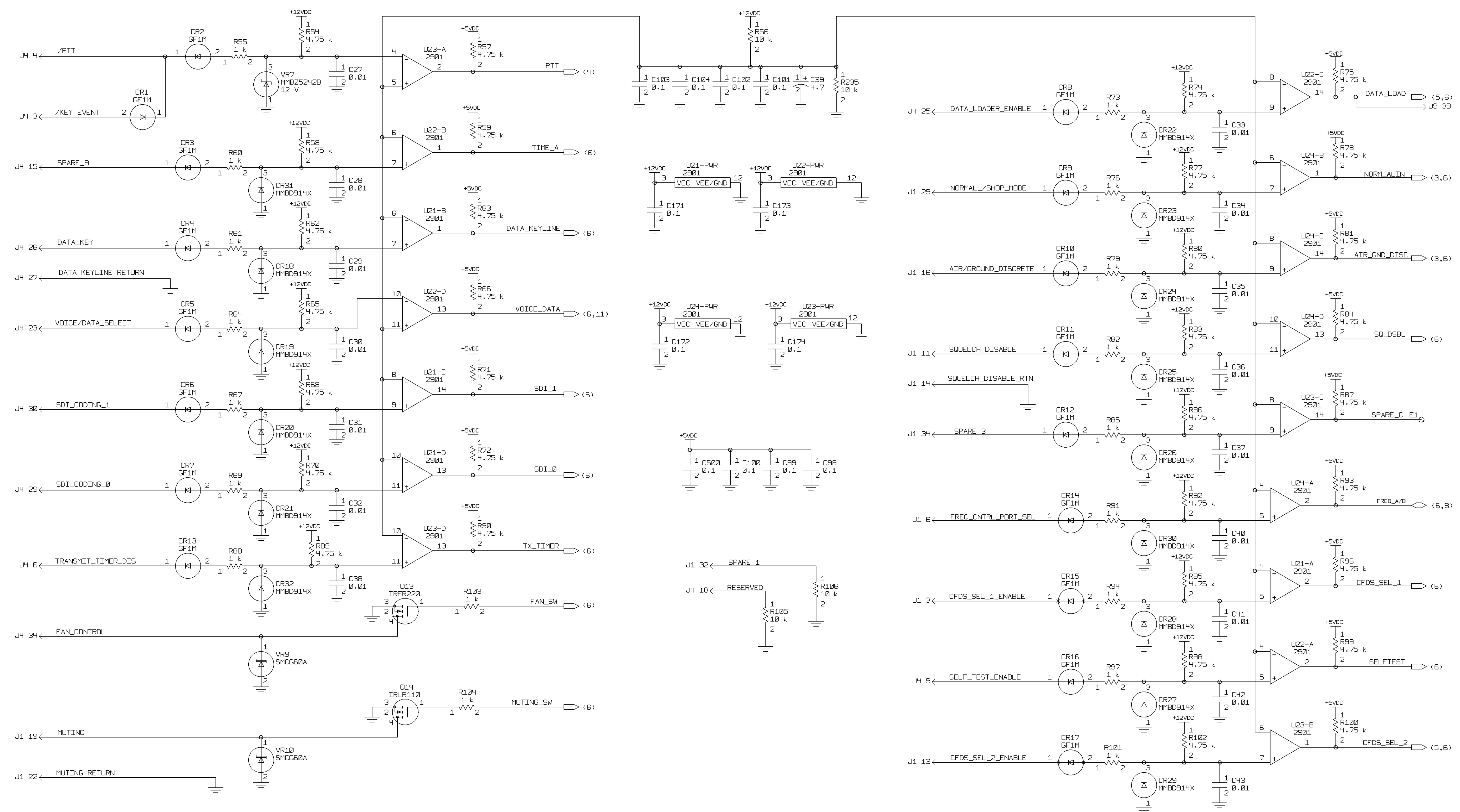
THIS DRAWING CREATED FROM RICAL/REDAC DIGITAL DATA



THIS DRAWING IS CREATED FROM DIGITAL DATA

SIZE D	CAGE CODE 4V792	DWG NO. 828-5676-101	REV LTR -
ROCKWELL PROPRIETARY INFORMATION. SCALE NONE		SHEET 9	

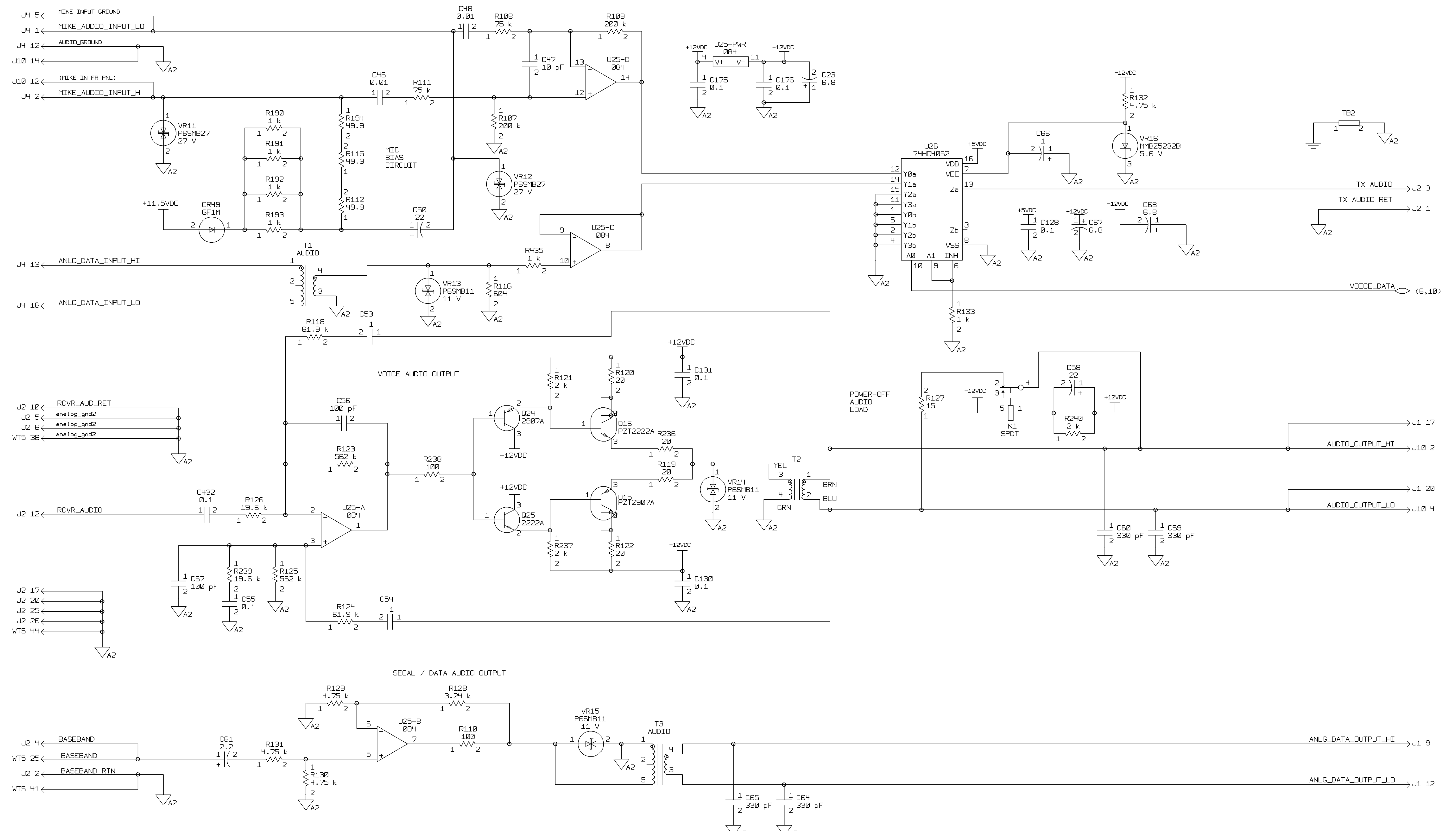
THIS DRAWING CREATED FROM RICAL/REDC DIGITAL DATA



THIS DRAWING IS CREATED FROM DIGITAL DATA

SIZE	CAGE CODE	DWG NO.	REV LTR
D	4V792	828-5676-101	-
ROCKWELL PROPRIETARY INFORMATION. SCALE NONE		SHEET 10	

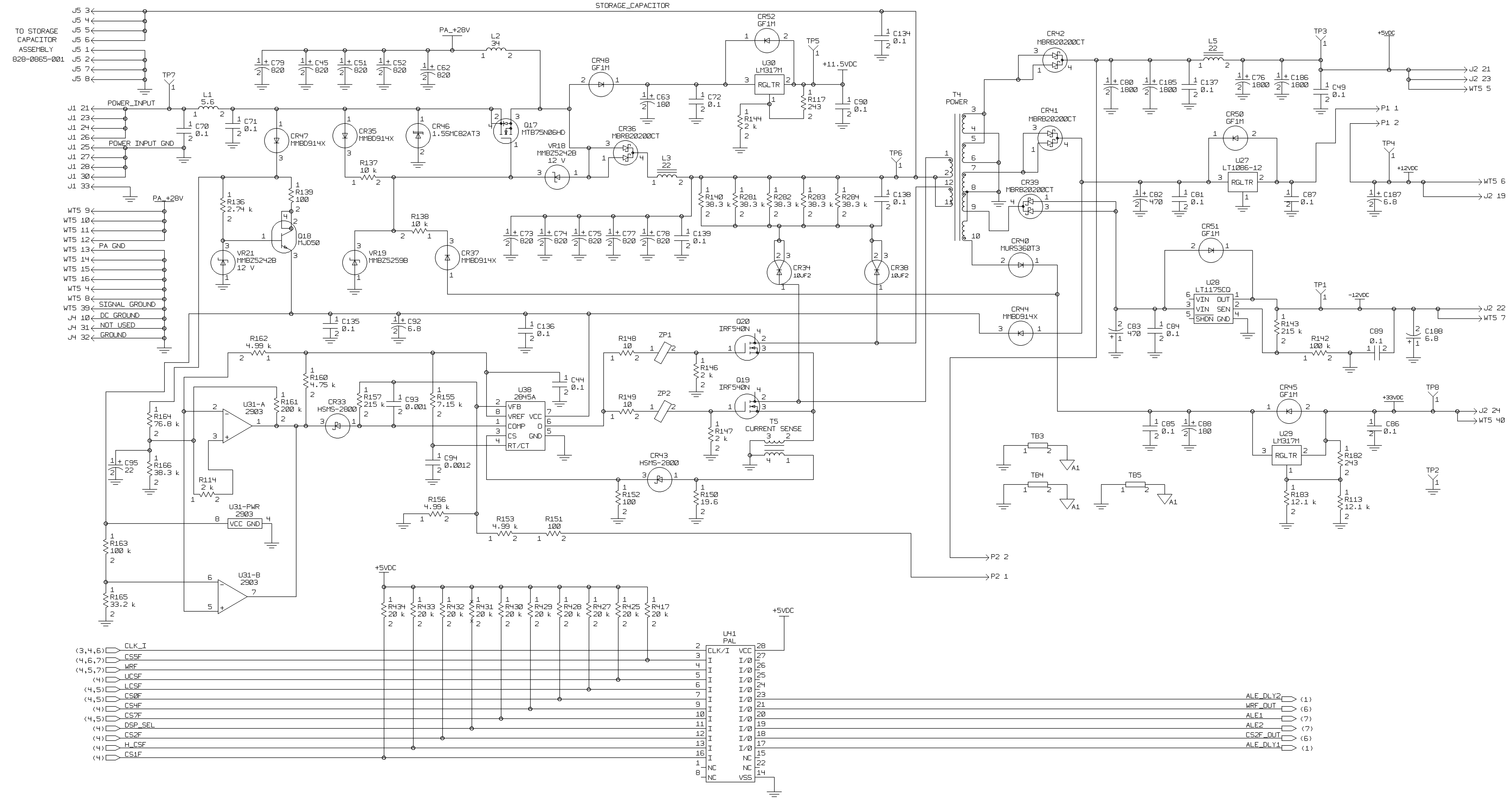
THIS DRAWING CREATED FROM RICAL/REDC DIGITAL DATA



THIS DRAWING IS CREATED FROM DIGITAL DATA

SIZE	CASE CODE	DWG NO.	REV LTR
D	4V792	828-5676-101	-
ROCKWELL PROPRIETARY INFORMATION. SCALE NONE		SHEET	11

THIS DRAWING CREATED FROM RICAL/REMAC DIGITAL DATA



TO STORAGE CAPACITOR ASSEMBLY 828-0865-001

J1 21 POWER_INPUT
 J1 23
 J1 24
 J1 25 POWER_INPUT_GND
 J1 27
 J1 28
 J1 30
 J1 33
 WTS 9 PA_+28V
 WTS 10
 WTS 11
 WTS 12 PA_GND
 WTS 13
 WTS 14
 WTS 15
 WTS 16
 WTS 4
 WTS 8
 WTS 39 SIGNAL_GROUND
 J4 10 DC_GROUND
 J4 31 NOT_USED
 J4 32 GROUND

(3,4,6) CLK_I
 (4,6,7) CS5F
 (4,5,7) WRF
 (4) UCSF
 (4,5) LCSF
 (4,5) CS0F
 (4) CS4F
 (4,5) CS7F
 (4) DSP_SEL
 (4) CS2F
 (4) H_CSF
 (4) CS1F

ALE_DLY2 (1)
 WRF_OUT (6)
 ALE1 (7)
 ALE2 (7)
 CS2F_OUT (6)
 ALE_DLY1 (1)

THIS DRAWING IS CREATED FROM DIGITAL DATA

SIZE	CASE CODE	DWG NO.	REV LTR
D	4V792	828-5676-101	-
ROCKWELL PROPRIETARY INFORMATION. SCALE NONE		SHEET	12
DIGITAL DATA ONLY NO MASTER TRACING 08/30/2000 13:31			

THIS DRAWING IS CREATED FROM RICAL/REMAC DIGITAL DATA