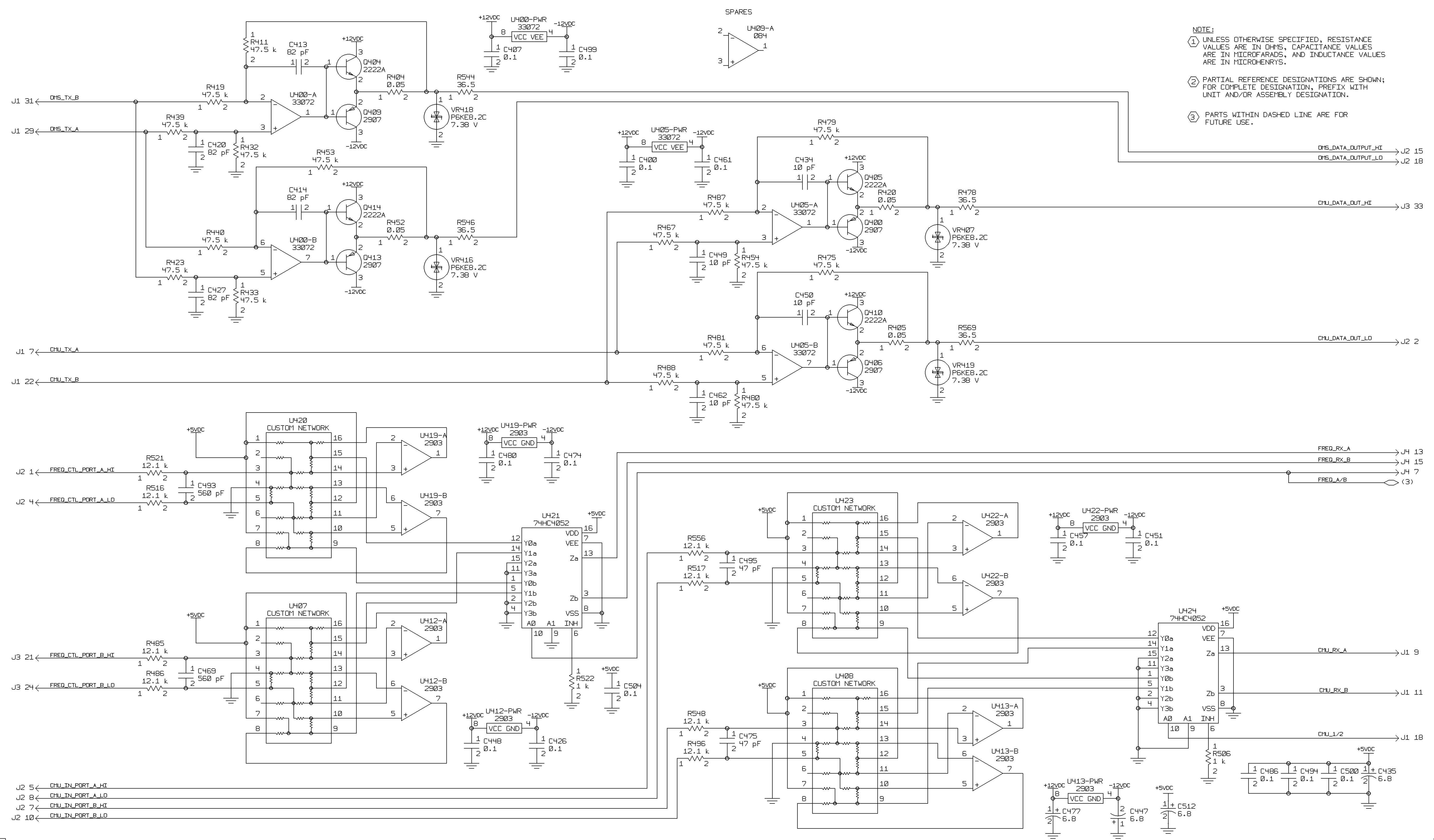


REVISIONS			
LTR	DESCRIPTION	DATE	APVD
L	BV6350	10/01/99	W.H.

NOTE:
 ① UNLESS OTHERWISE SPECIFIED, RESISTANCE VALUES ARE IN OHMS, CAPACITANCE VALUES ARE IN MICROFARADS, AND INDUCTANCE VALUES ARE IN MICROHENRYS.
 ② PARTIAL REFERENCE DESIGNATIONS ARE SHOWN; FOR COMPLETE DESIGNATION, PREFIX WITH UNIT AND/OR ASSEMBLY DESIGNATION.
 ③ PARTS WITHIN DASHED LINE ARE FOR FUTURE USE.

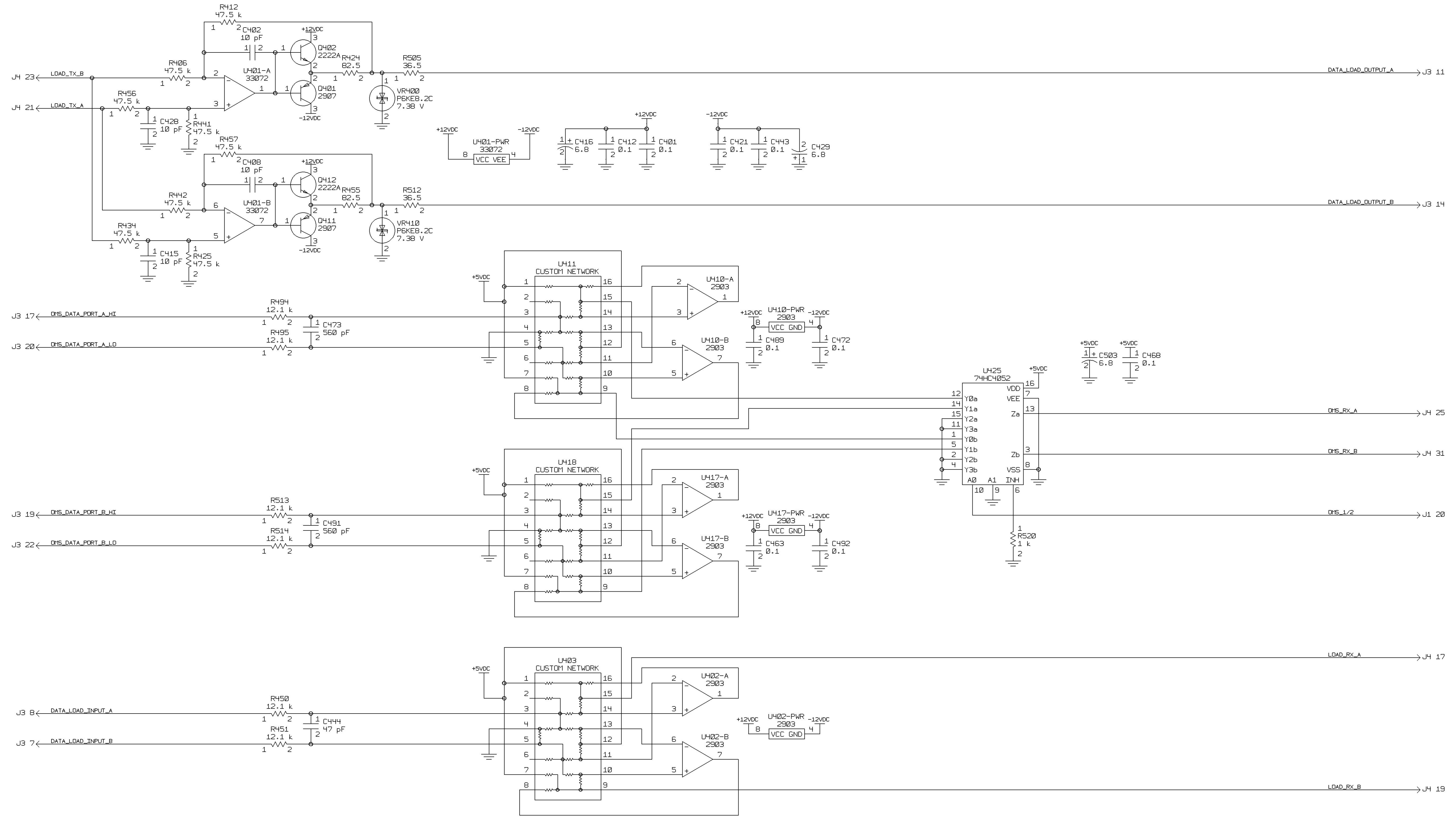


ROCKWELL INTERNATIONAL PROPRIETARY INFORMATION. DISSEMINATION OUTSIDE ROCKWELL INTERNATIONAL TO BE CLEARED THROUGH THE PATENT COUNSEL.

THIS DRAWING IS CREATED FROM DIGITAL DATA

PREP	PMONEILL	ROCKWELL INTERNATIONAL CORPORATION COLLINS AVIONICS GROUP -COMMERCIAL CEDAR RAPIDS, IA 52498			
CHK	WALT HEWETT	SCHEMATIC DIAGRAM, POWER SUPPLY			
ENG APVD	WALT HEWETT				
NEXT ASSY PART NO.	676-7356-002	SIZE	D	CAGE CODE	4V792
EQUIPMENT TYPE NO.	VHF-900	DWG NO.	828-5056-002	REV LTR	L
		SCALE	NONE	SHEET 1 OF 5	

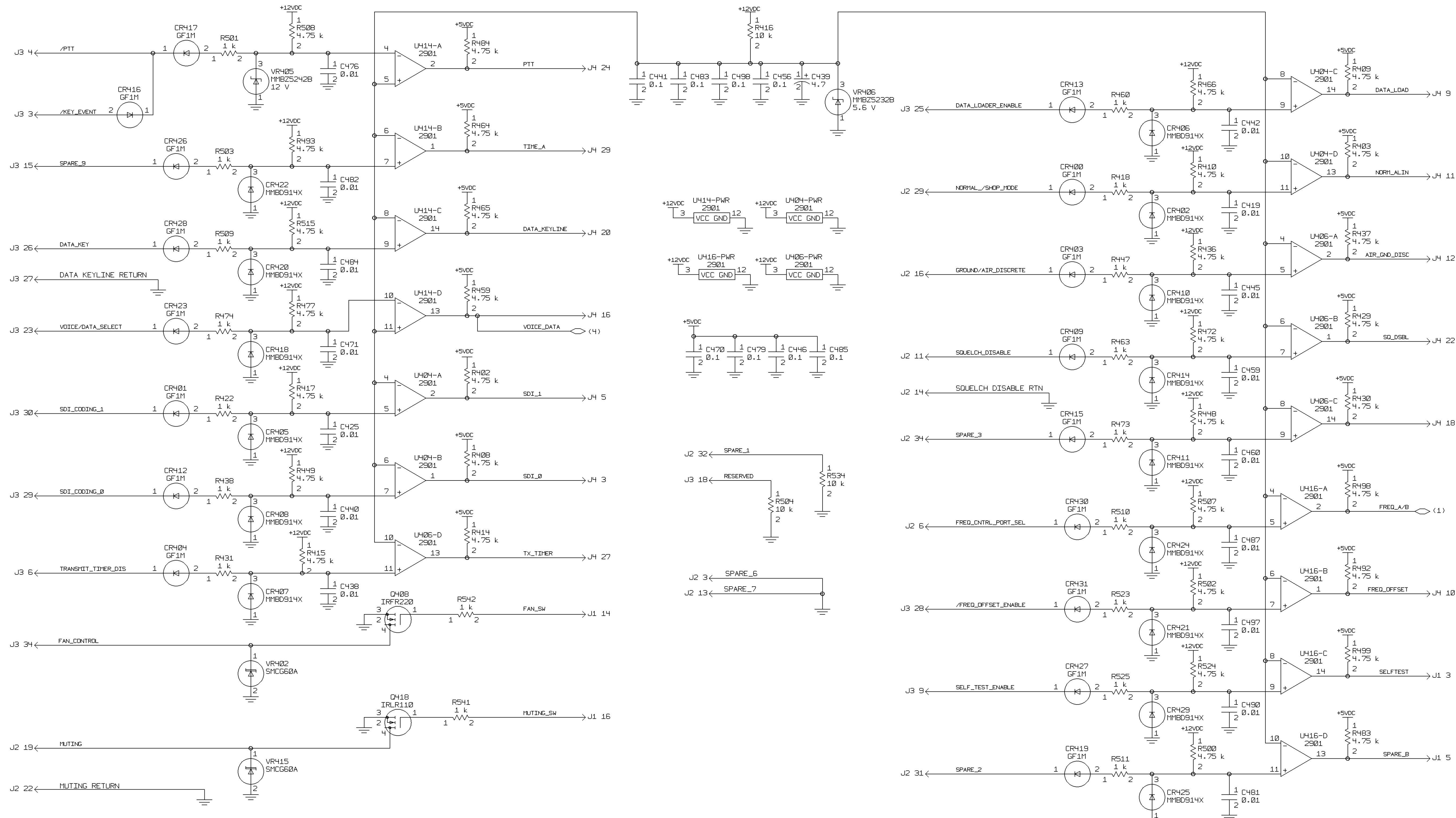
THIS DRAWING CREATED FROM RICAL/REMAC DIGITAL DATA



THIS DRAWING IS CREATED FROM DIGITAL DATA

SIZE D	CAGE CODE 4V792	DWG NO. 828-5056-002	REV LTR L
SCALE NONE	SHEET 2		

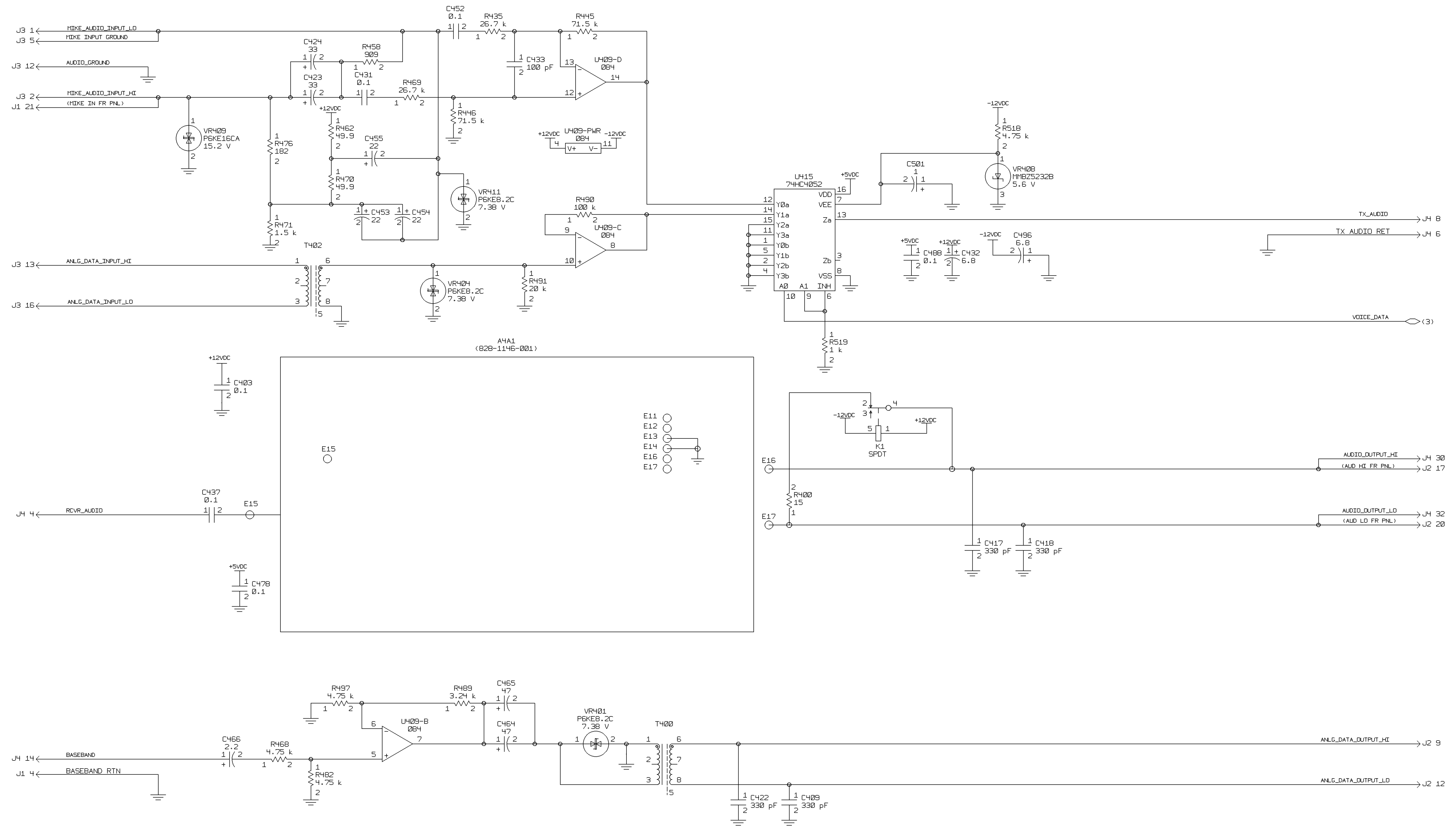
THIS DRAWING IS CREATED FROM RICAL/REDC DIGITAL DATA



THIS DRAWING IS CREATED FROM DIGITAL DATA

SIZE	CAGE CODE	DWG NO.	REV LTR
D	4V792	828-5056-002	L
SCALE	NONE	SHEET	3

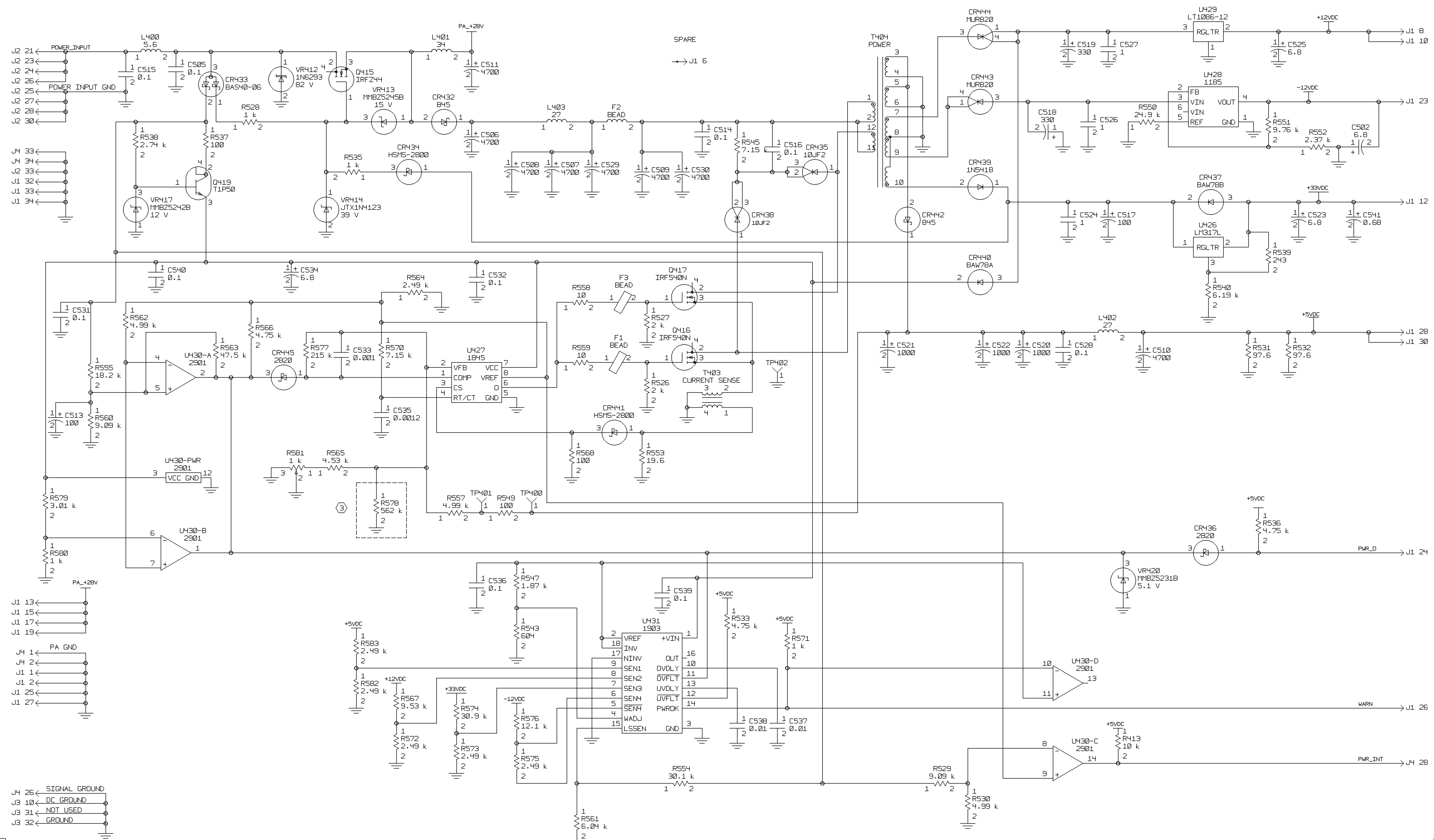
THIS DRAWING CREATED FROM RICAL/REDCAL DIGITAL DATA



THIS DRAWING IS CREATED FROM DIGITAL DATA

SIZE	CAGE CODE	DWG NO.	REV LTR
D	4V792	828-5056-002	L
SCALE	NONE	SHEET	4

THIS DRAWING CREATED FROM RICAL/REDAC DIGITAL DATA



J2 21 POWER INPUT
 J2 23
 J2 24
 J2 25 POWER INPUT GND
 J2 27
 J2 28
 J2 30

J4 33
 J4 34
 J2 33
 J1 32
 J1 33
 J1 34

J1 13
 J1 15
 J1 17
 J1 19

J4 1 PA GND
 J4 2
 J1 1
 J1 2
 J1 25
 J1 27

J4 26 SIGNAL GROUND
 J3 10 DC GROUND
 J3 31 NOT USED
 J3 32 GROUND

THIS DRAWING IS CREATED FROM DIGITAL DATA

SIZE	CAGE CODE	DWG NO.	REV LTR
D	4V792	828-5056-002	L
SCALE	NONE	SHEET	5

THIS DRAWING CREATED FROM RICAL/REDAC DIGITAL DATA