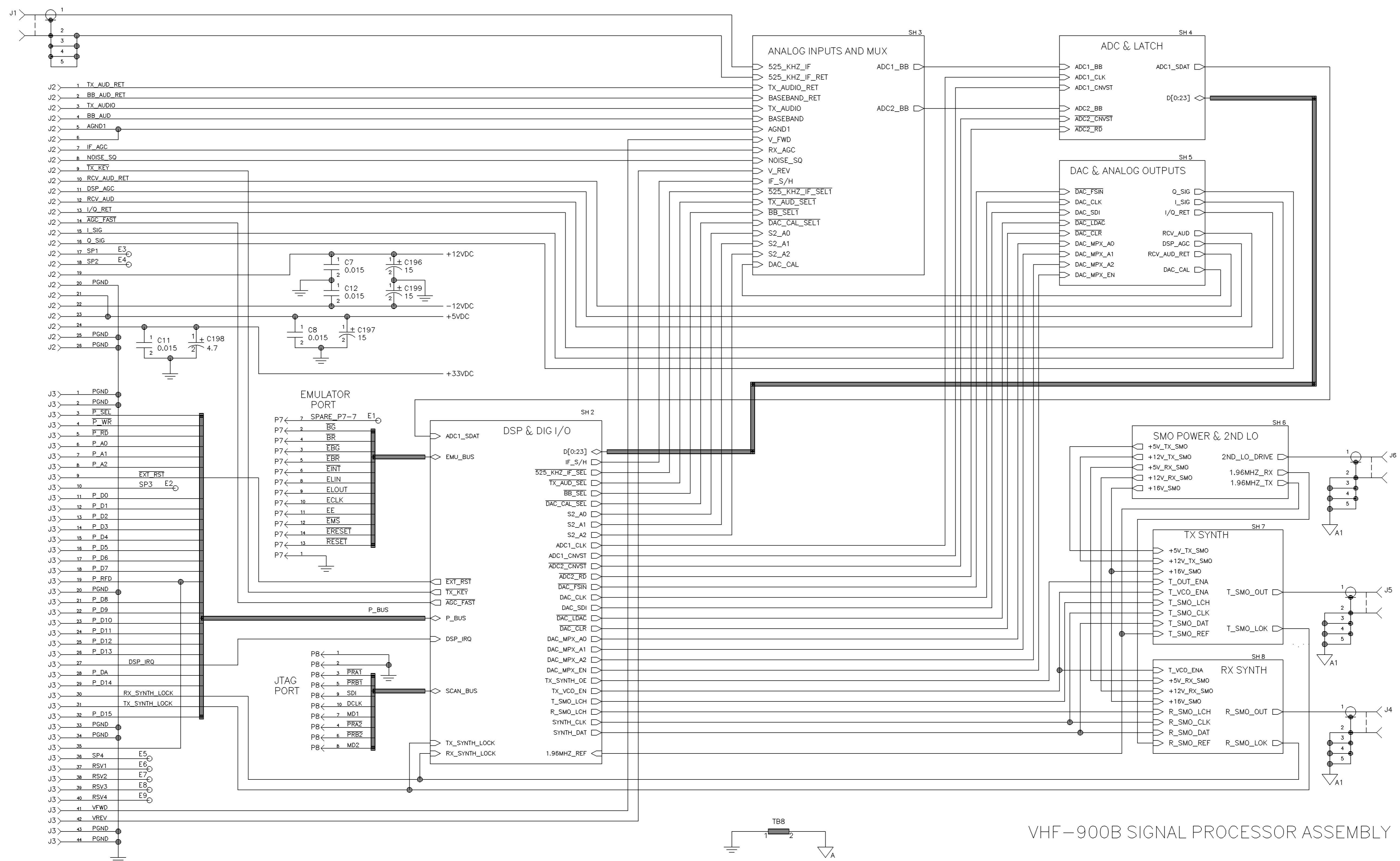


REVISIONS			
LTR	DESCRIPTION	DATE	APVD
-	RELEASE	08/29/00	D.Y.



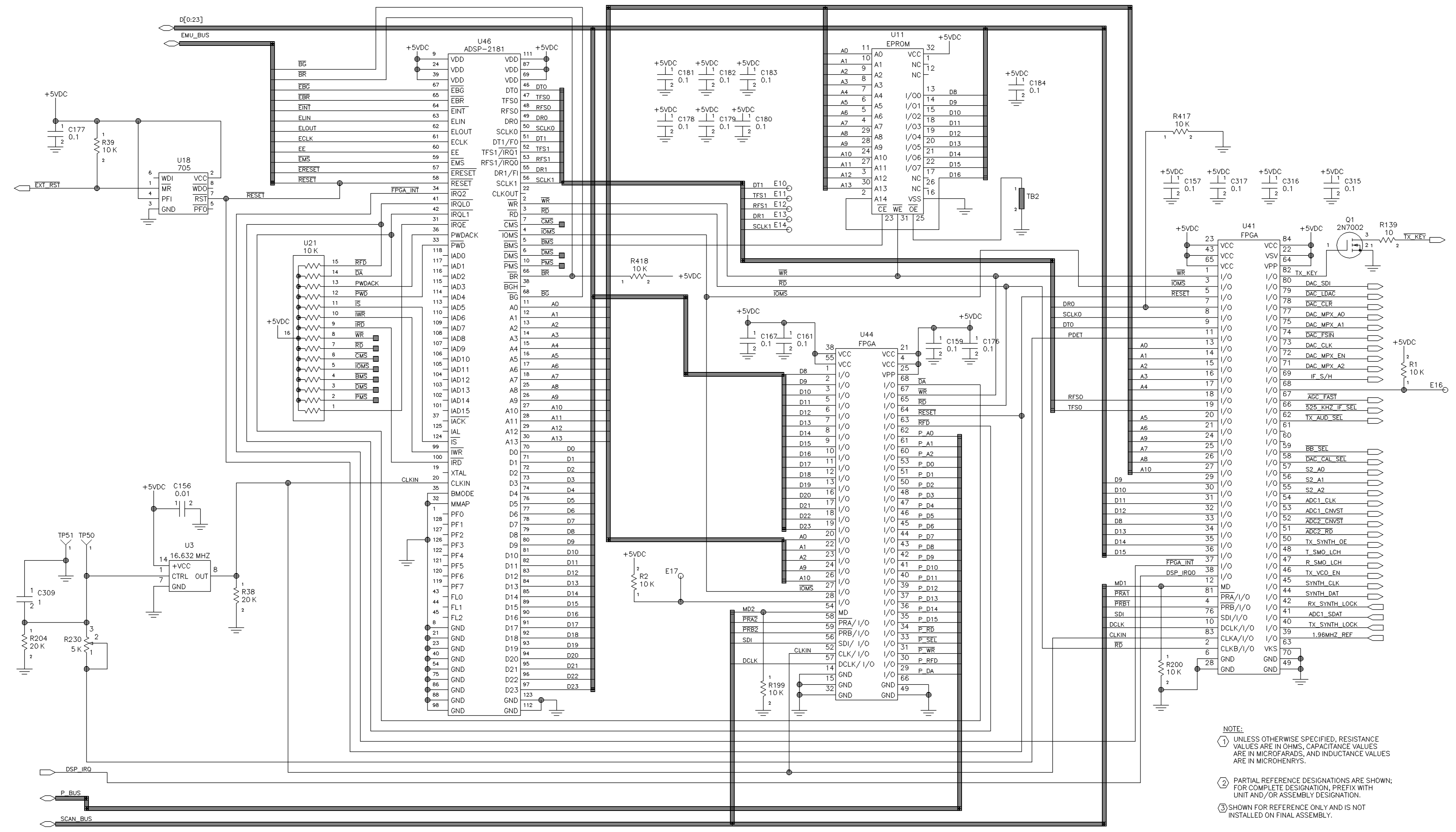
VHF-900B SIGNAL PROCESSOR ASSEMBLY

THIS DRAWING IS CREATED FROM DIGITAL DATA

ROCKWELL PROPRIETARY INFORMATION.

PREP Karen G. Barker	ROCKWELL INTERNATIONAL CORPORATION COLLINS AVIONICS GROUP - COMMERCIAL CEDAR RAPIDS, IA 52498		
CHK Al C. Majaika	SCHEMATIC DIAGRAM, SIGNAL PROCESSOR		
ENG APVD F. Studenberg	SIZE D	CAGE CODE 4V792	REV LTR -
NEXT ASSY PART NO. 676-7353-105	DWG NO. 828-5053-105	SHEET 1 OF 3	
EQUIPMENT TYPE NO. VHF-900B	SCALE NONE	DIGITAL DATA ONLY NO MASTER TRACING	

THIS DRAWING CREATED FROM DIGITAL DATA



NOTE:
 ① UNLESS OTHERWISE SPECIFIED, RESISTANCE VALUES ARE IN OHMS, CAPACITANCE VALUES ARE IN MICROFARADS, AND INDUCTANCE VALUES ARE IN MICROHENRYS.
 ② PARTIAL REFERENCE DESIGNATIONS ARE SHOWN; FOR COMPLETE DESIGNATION, PREFIX WITH UNIT AND/OR ASSEMBLY DESIGNATION.
 ③ SHOWN FOR REFERENCE ONLY AND IS NOT INSTALLED ON FINAL ASSEMBLY.

DSP & DIG I/O

THIS DRAWING IS CREATED FROM DIGITAL DATA

SIZE	CAGE CODE	DWG NO.	REV/LTR
D	4V792	828-5053-105	-
SCALE	NONE	SHEET	2

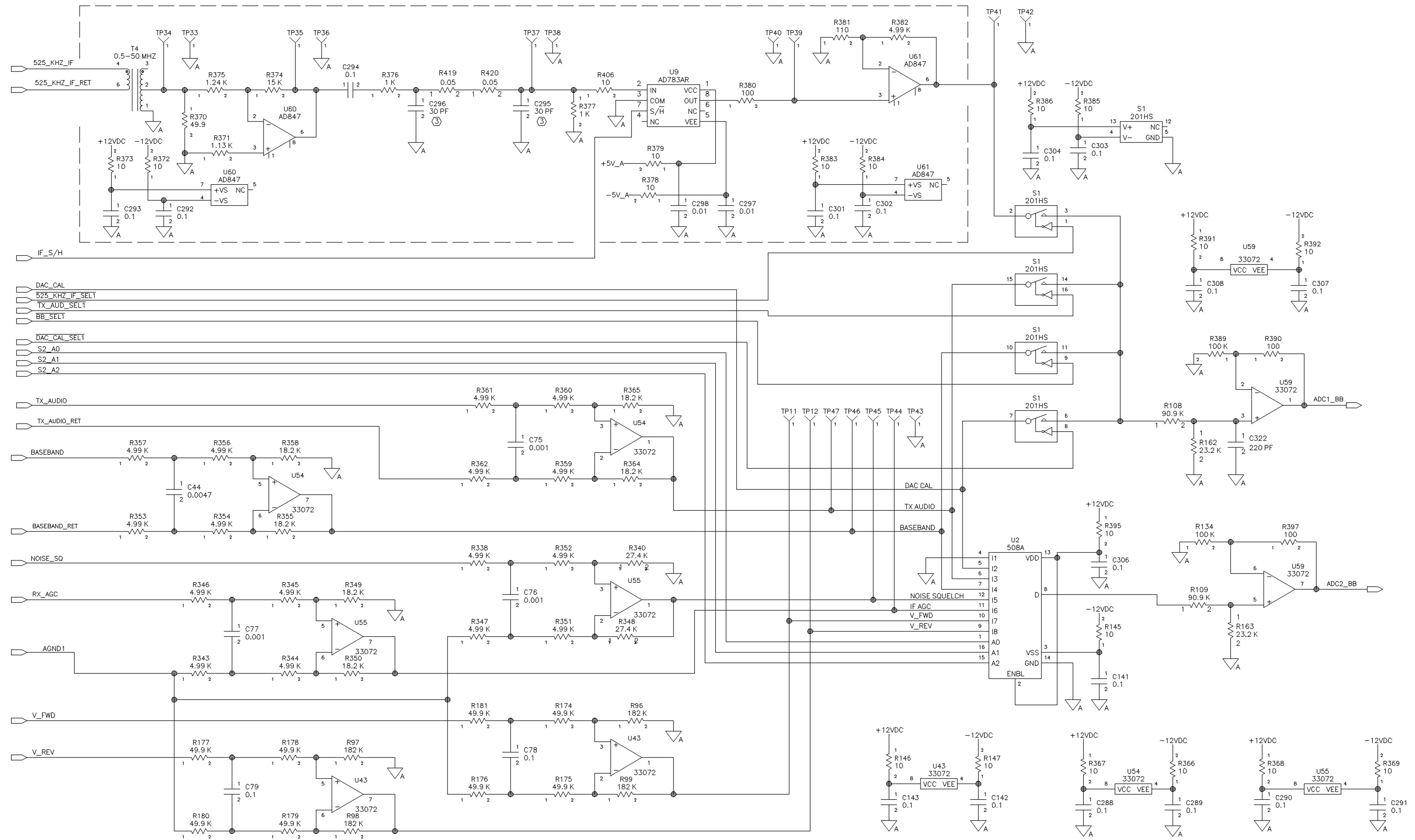
ROCKWELL PROPRIETARY INFORMATION.

Plotted 09/01/00 10:05 DIGITAL DATA ONLY NO MASTER TRACING

design.2

THIS DRAWING CREATED FROM DIGITAL DATA

PRELIMINARY



ANALOG INPUTS & MUX

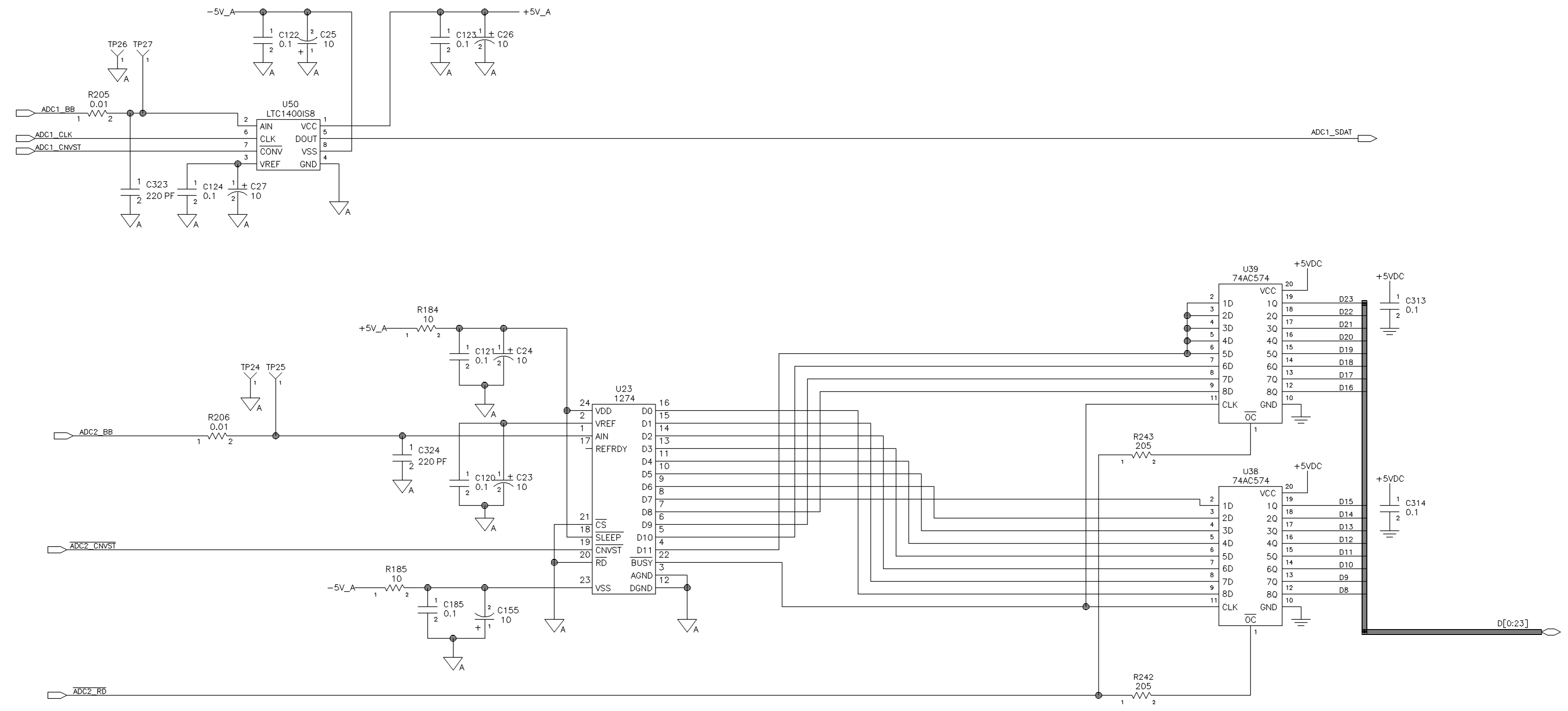
THIS DRAWING IS CREATED FROM DIGITAL DATA

SIZE	CAGE CODE	DWG NO.	REV/LTR
D	4V792	828-5053-105	-
SCALE	NONE	SHEET	3

PRELIMINARY

THIS DRAWING CREATED FROM DIGITAL DATA

THIS DRAWING CREATED FROM DIGITAL DATA

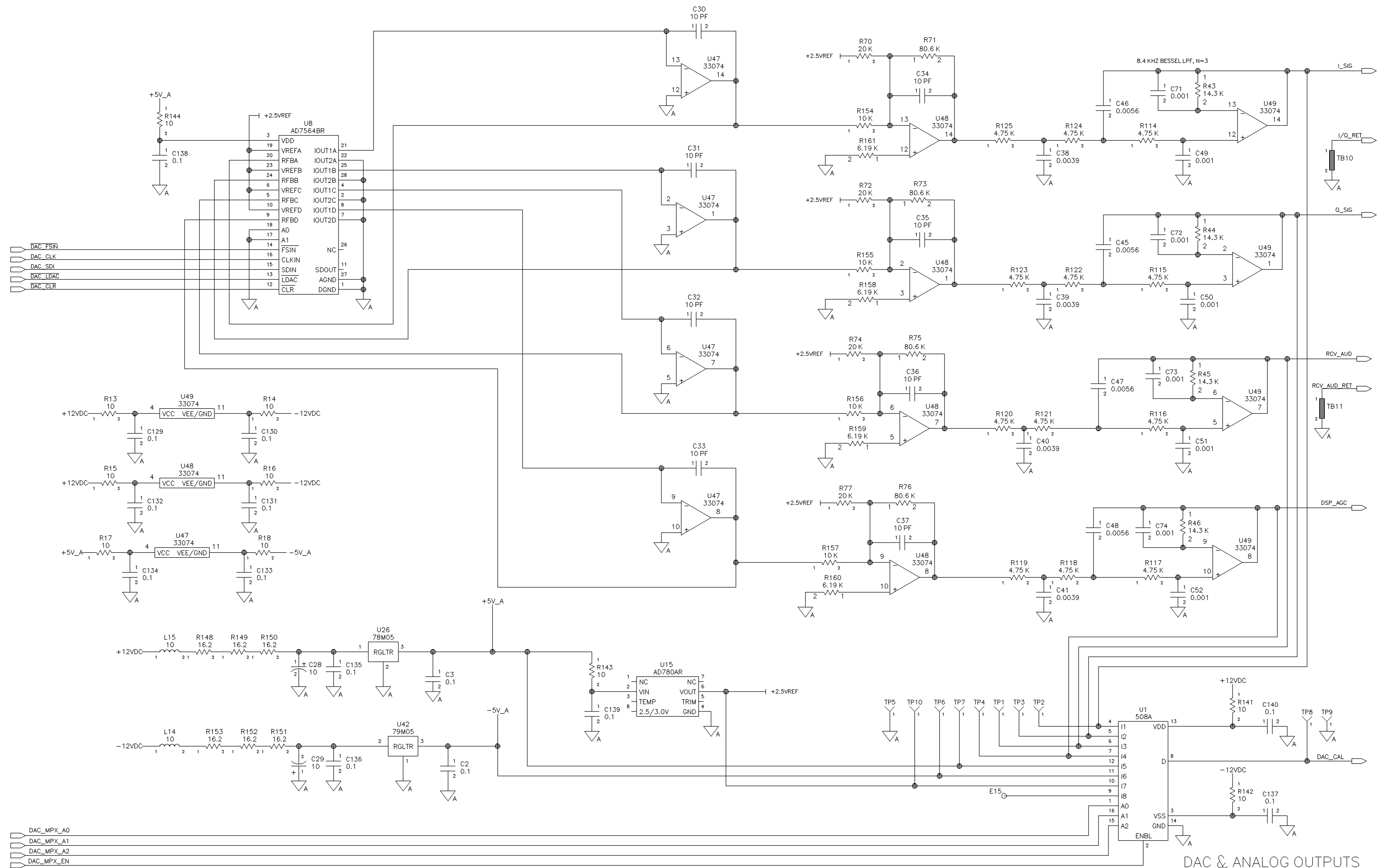


ADC & LATCH

THIS DRAWING IS CREATED FROM DIGITAL DATA

SIZE	CAGE CODE	DWG NO.	REV/LTR
D	4V792	828-5053-105	-
SCALE	NONE	SHEET	4

PRELIMINARY



DAC & ANALOG OUTPUTS

THIS DRAWING IS CREATED FROM DIGITAL DATA

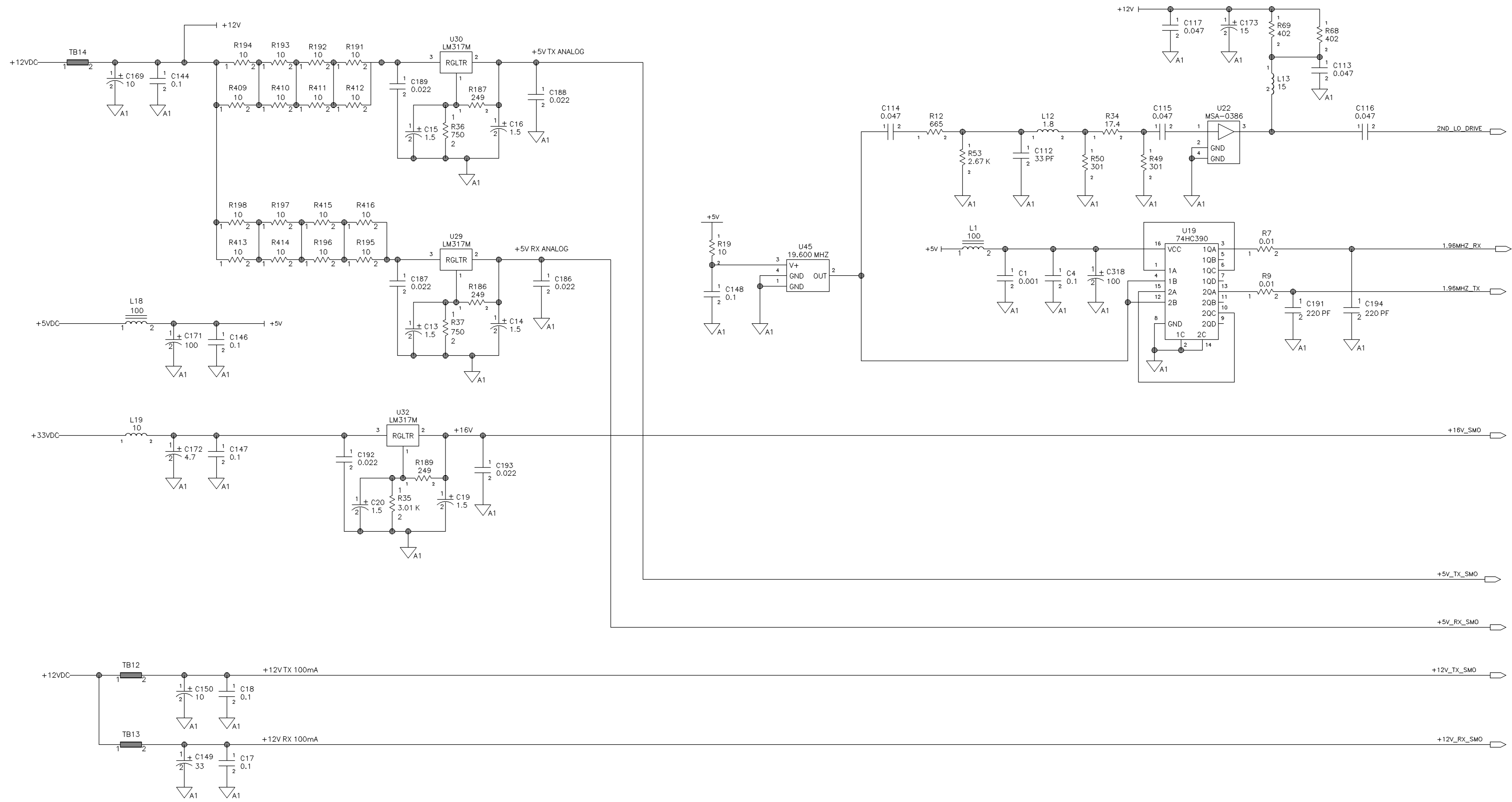
THIS DRAWING IS CREATED FROM DIGITAL DATA

SIZE	CAGE CODE	DWG NO.	REV/LTR
D	4V792	828-5053-105	-
SCALE	NONE	SHEET	5

ROCKWELL PROPRIETARY INFORMATION. DIGITAL DATA ONLY NO MASTER TRACING

PRELIMINARY

THIS DRAWING CREATED FROM DIGITAL DATA

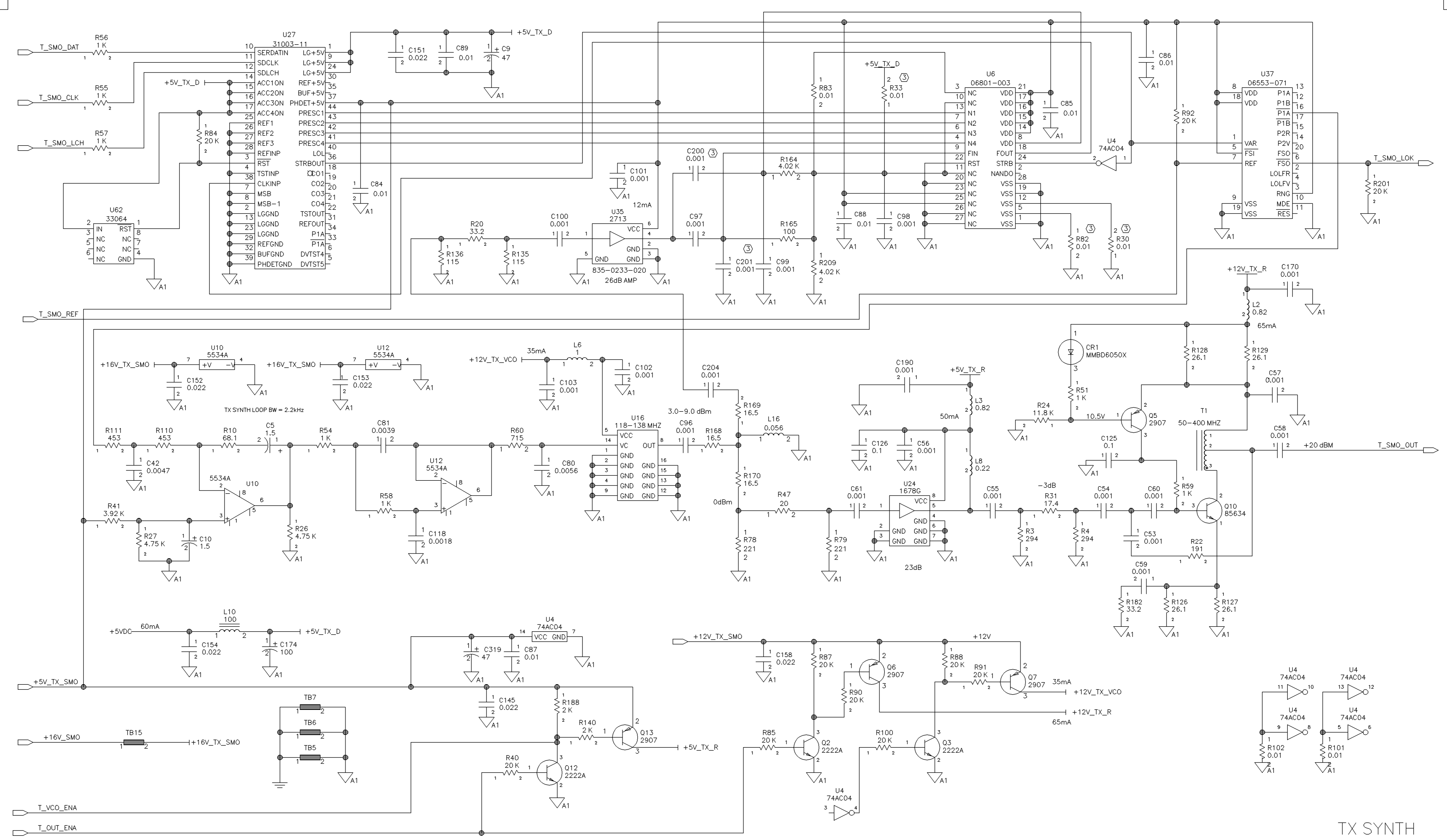


SMO POWER & 2ND LO

PRELIMINARY

THIS DRAWING IS CREATED FROM DIGITAL DATA

SIZE	CAGE CODE	DWG NO.	REV/LTR
D	4V792	828-5053-105	-
SCALE	NONE	SHEET	6



TX SYNTH

THIS DRAWING IS CREATED FROM DIGITAL DATA

SIZE	CAGE CODE	DWG NO.	REV/LTR
D	4V792	828-5053-105	-
SCALE	NONE	SHEET	7

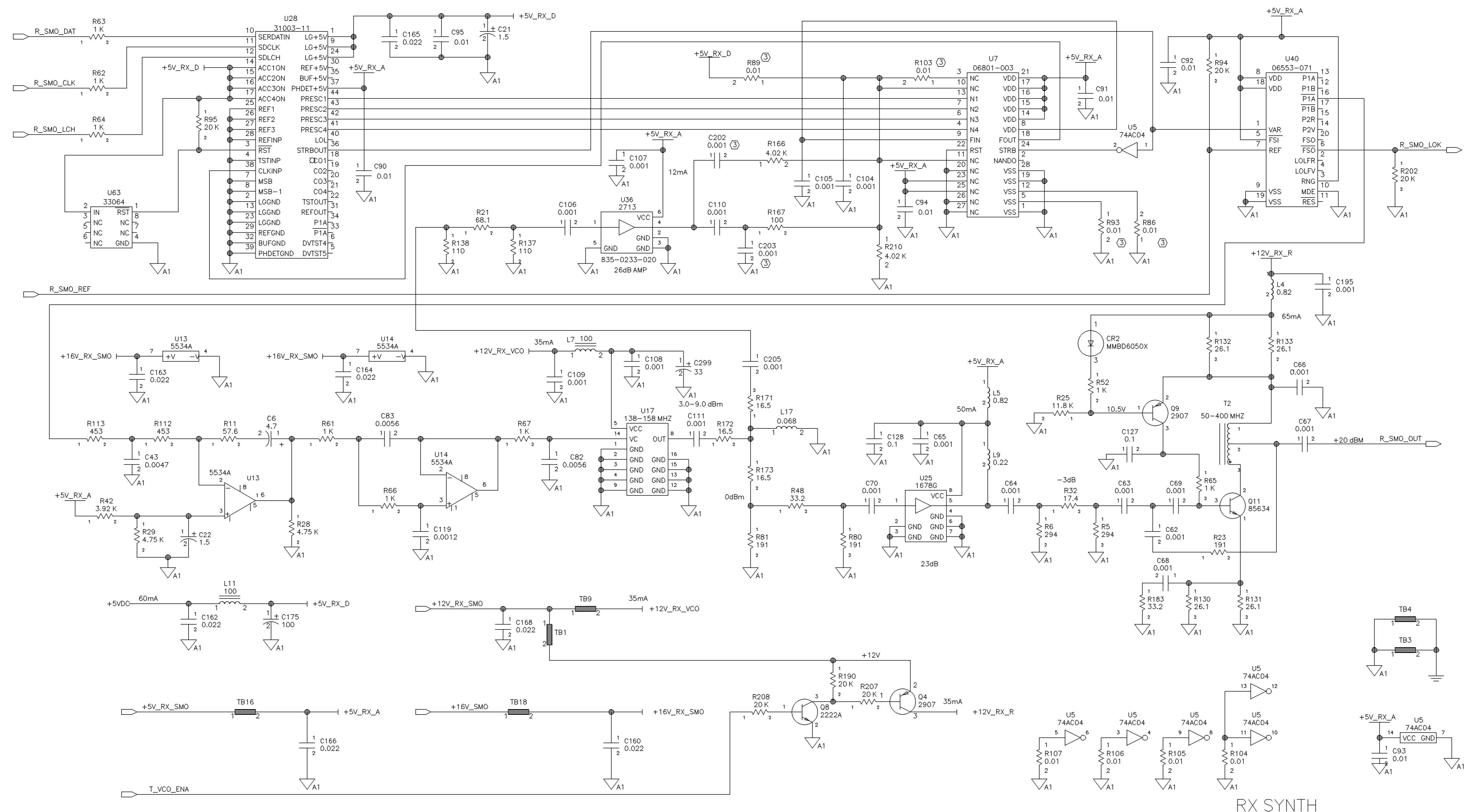
Plotted 09/01/00 10:05

DIGITAL DATA ONLY NO MASTER TRACING

design.7

PRELIMINARY

THIS DRAWING CREATED FROM DIGITAL DATA



RX SYNTH

THIS DRAWING IS CREATED FROM DIGITAL DATA

SIZE	CAGE CODE	DWG NO.	REV/LTR
D	4V792	828-5053-105	-
SCALE	NONE	SHEET	8

PRELIMINARY

THIS DRAWING CREATED FROM DIGITAL DATA