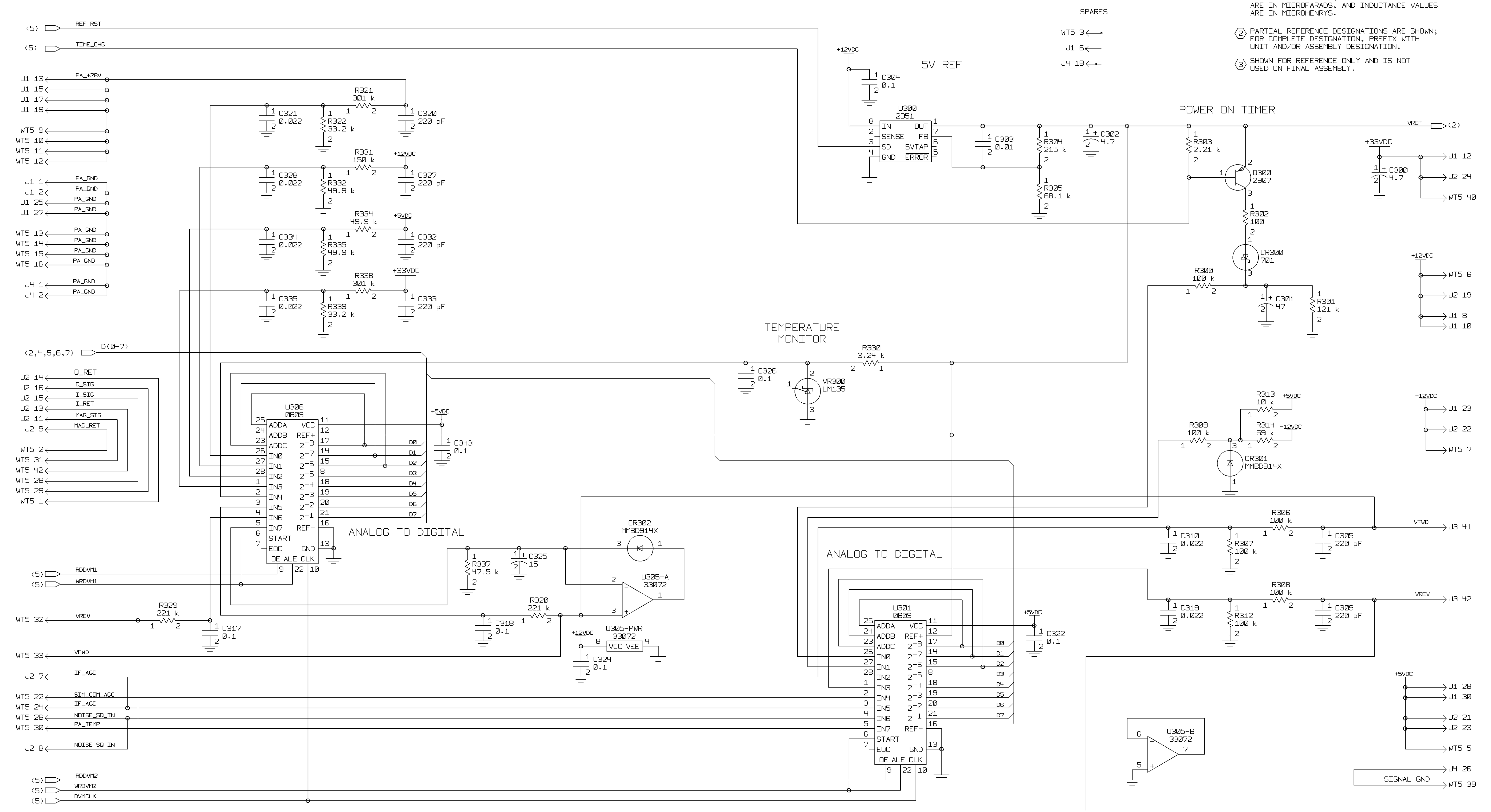


REVISIONS			
LTR	DESCRIPTION	DATE	APVD
G	BV5403	05/11/99	T.L.

- NOTE:
- UNLESS OTHERWISE SPECIFIED, RESISTANCE VALUES ARE IN OHMS, CAPACITANCE VALUES ARE IN MICROFARADS, AND INDUCTANCE VALUES ARE IN MICROHENRYS.
 - PARTIAL REFERENCE DESIGNATIONS ARE SHOWN; FOR COMPLETE DESIGNATION, PREFIX WITH UNIT AND/OR ASSEMBLY DESIGNATION.
 - SHOWN FOR REFERENCE ONLY AND IS NOT USED ON FINAL ASSEMBLY.

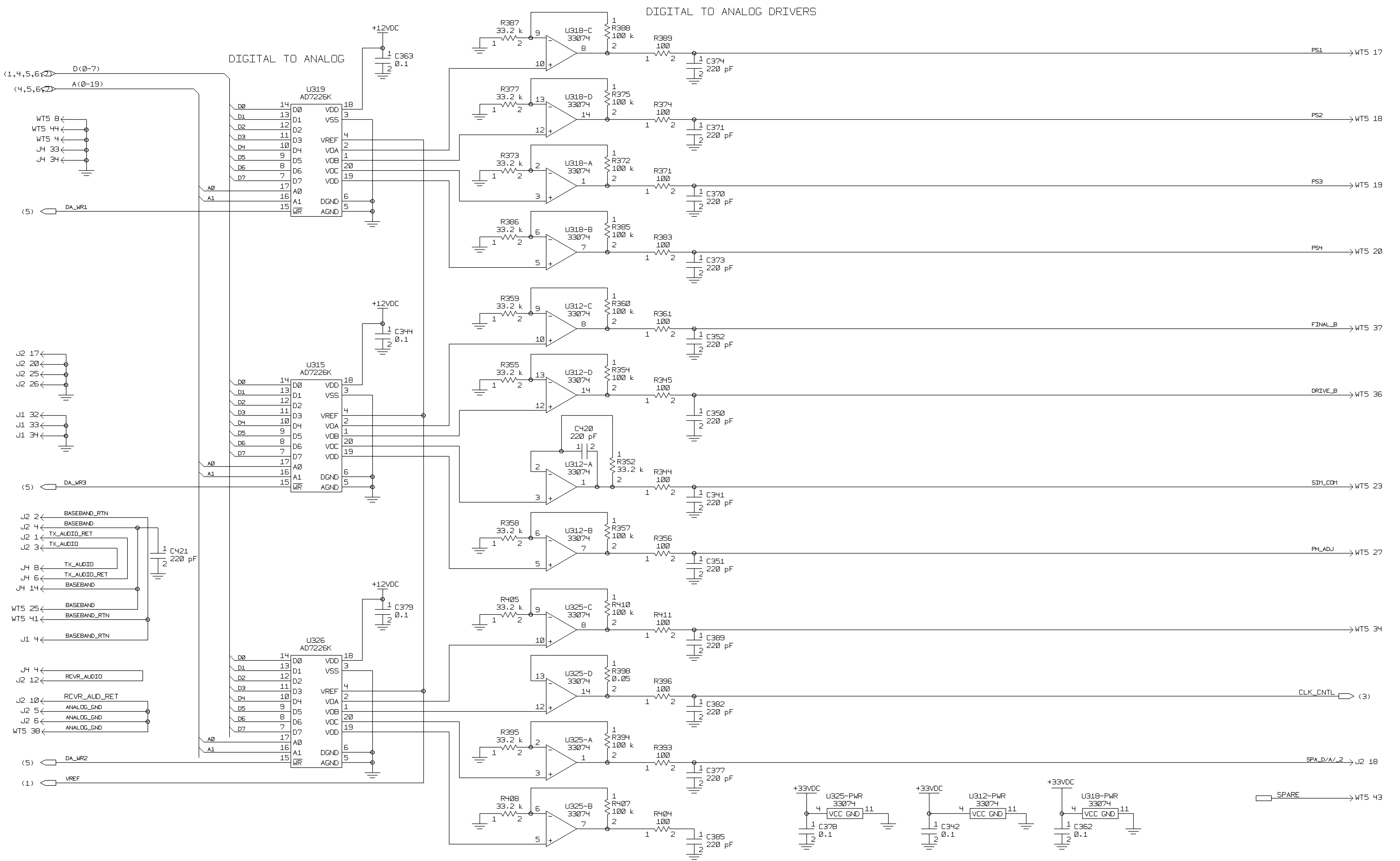


ROCKWELL INTERNATIONAL PROPRIETARY INFORMATION. DISSEMINATION OUTSIDE ROCKWELL INTERNATIONAL TO BE CLEARED THROUGH THE PATENT COUNSEL.

THIS DRAWING IS CREATED FROM DIGITAL DATA

PREP	TCMOORE	ROCKWELL INTERNATIONAL CORPORATION COLLINS AVIONICS GROUP -COMMERCIAL CEDAR RAPIDS, IA 52498			
CHK	TIM LAJZA	SCHEMATIC DIAGRAM, SYSTEM PROCESSOR			
ENG APVD	TIM LAJZA	SIZE	CAGE CODE	DWG NO.	REV LTR
NEXT ASSY PART NO.	676-7352-004	D	4V792	828-5052-004	G
EQUIPMENT TYPE NO.	VHF-920B	SCALE	NONE	SHEET 1 OF 7	

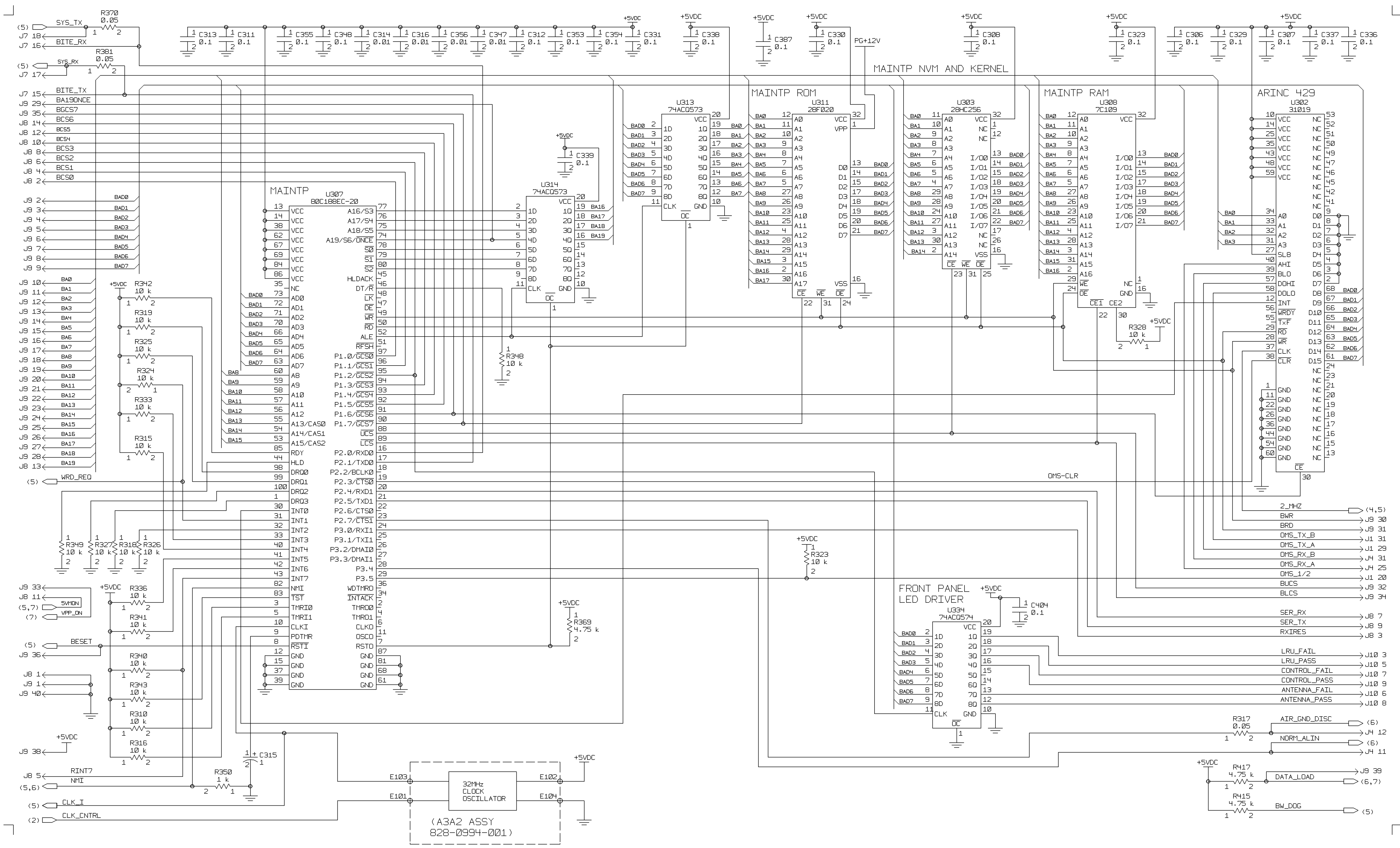
THIS DRAWING CREATED FROM RICAL/REDAC DIGITAL DATA



THIS DRAWING IS CREATED FROM DIGITAL DATA

SIZE D	CAGE CODE 4V792	DWG NO. 828-5052-004	REV LTR G
SCALE NONE	SHEET 2		

THIS DRAWING CREATED FROM RICAL/REDAC DIGITAL DATA

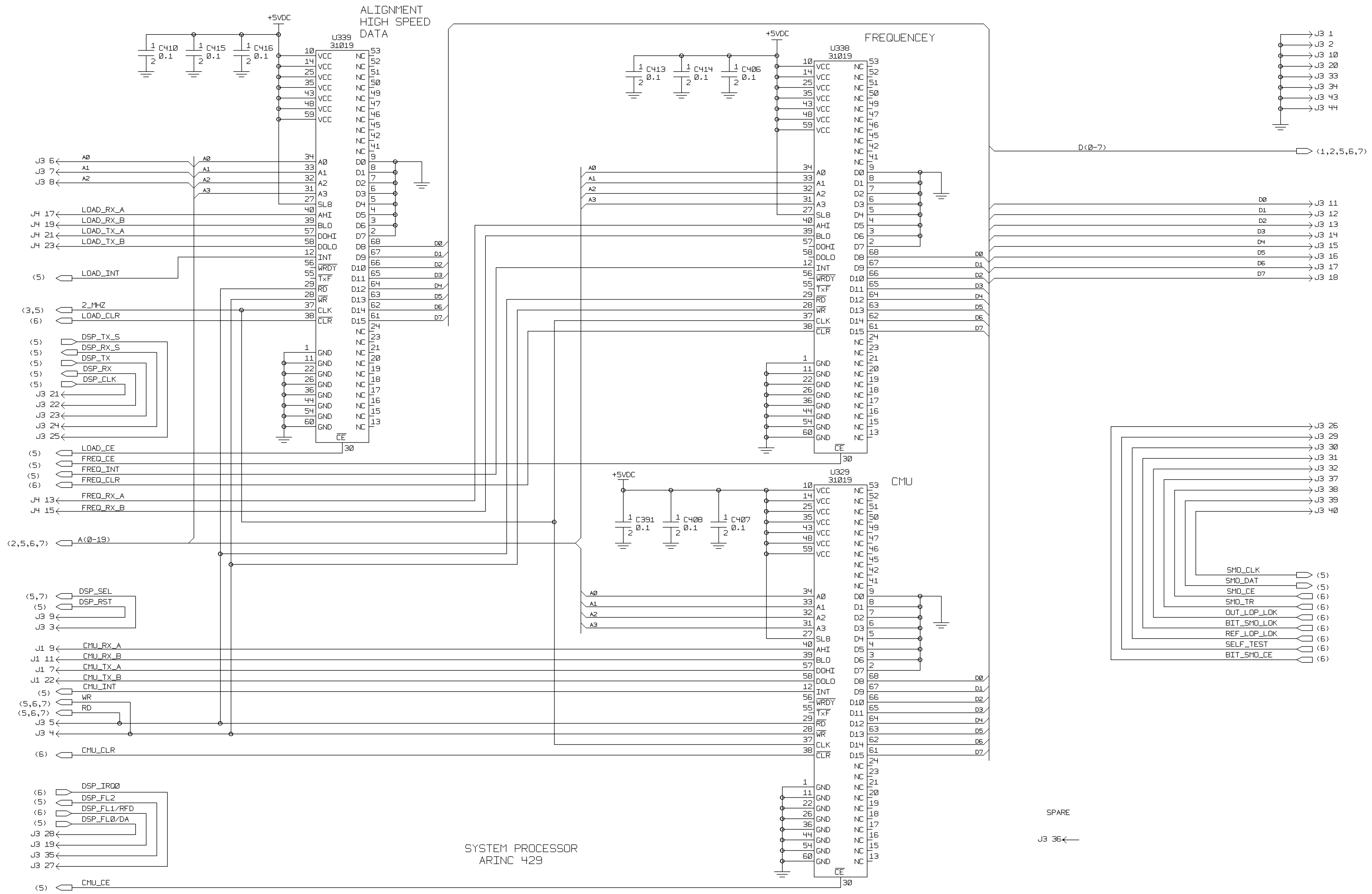


- SPARES
- J8 15
 - J8 16
 - J8 17
 - J8 18
 - J8 19
 - J8 20
 - J9 37
 - J10 11
 - J10 13

THIS DRAWING IS CREATED FROM DIGITAL DATA

SIZE	CASE CODE	DWG NO.	REV LTR
D	4V792	828-5052-004	G
SCALE	NONE	SHEET	3

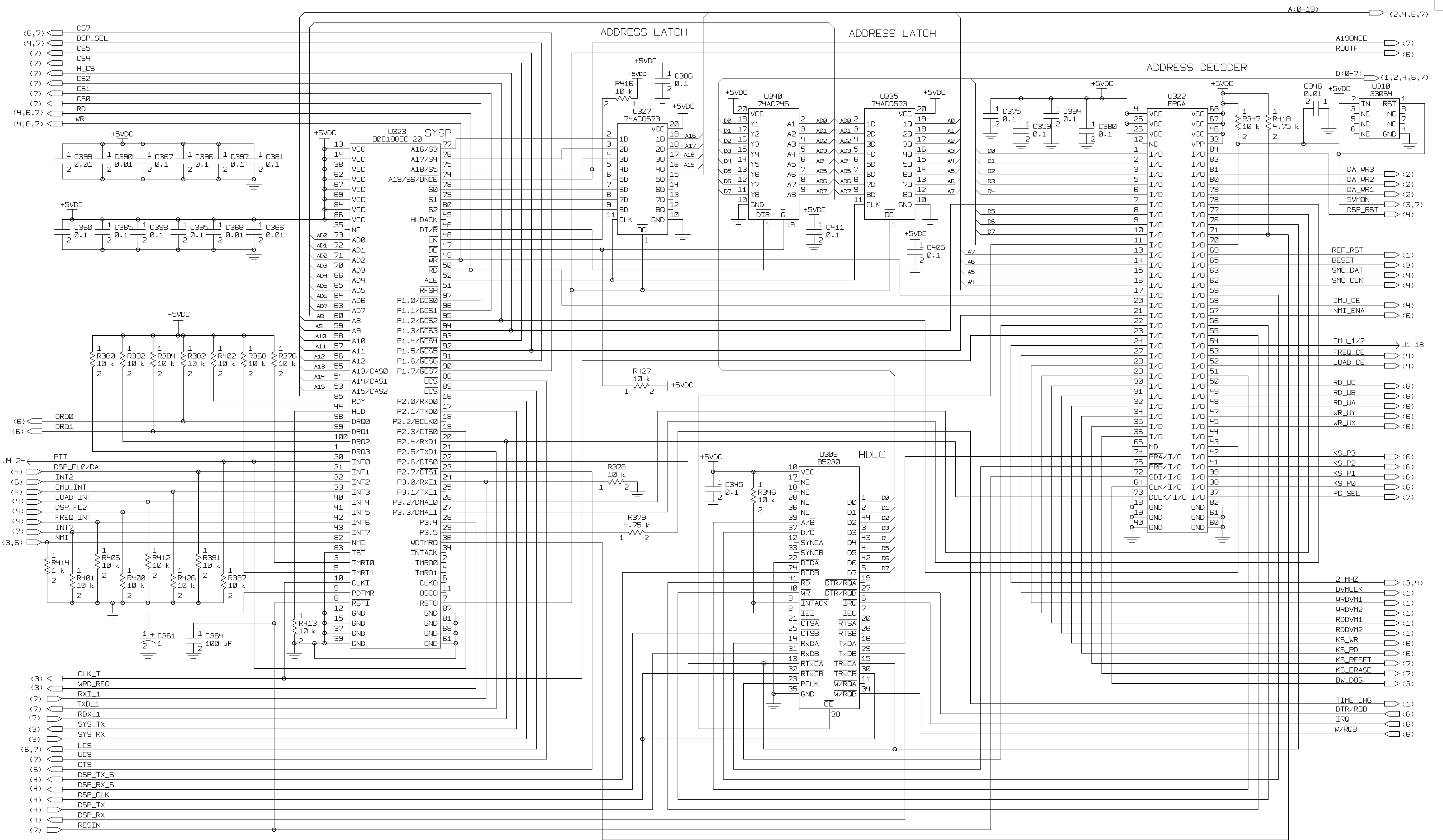
THIS DRAWING IS CREATED FROM RICAL/MEDICAL DIGITAL DATA



THIS DRAWING IS CREATED FROM DIGITAL DATA

SIZE D	CAGE CODE 4V792	DWG NO. 828-5052-004	REV LTR G
SCALE NONE	SHEET 4		

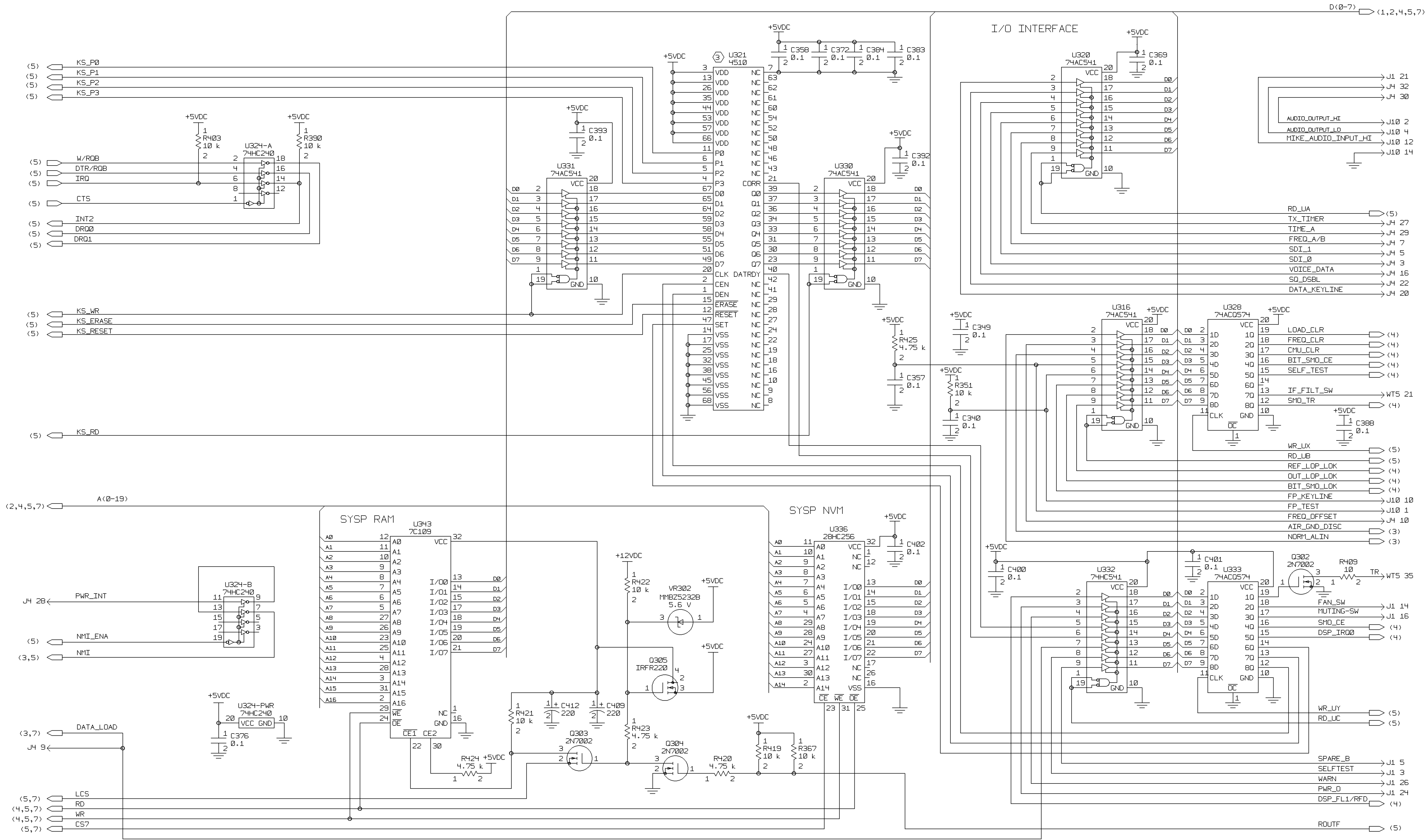
THIS DRAWING CREATED FROM RICAL/REMAC DIGITAL DATA



THIS DRAWING IS CREATED FROM DIGITAL DATA

SIZE	CASE CODE	DWG NO.	REV LTR
D	4V792	828-5052-004	G
SCALE	NONE	SHEET	5

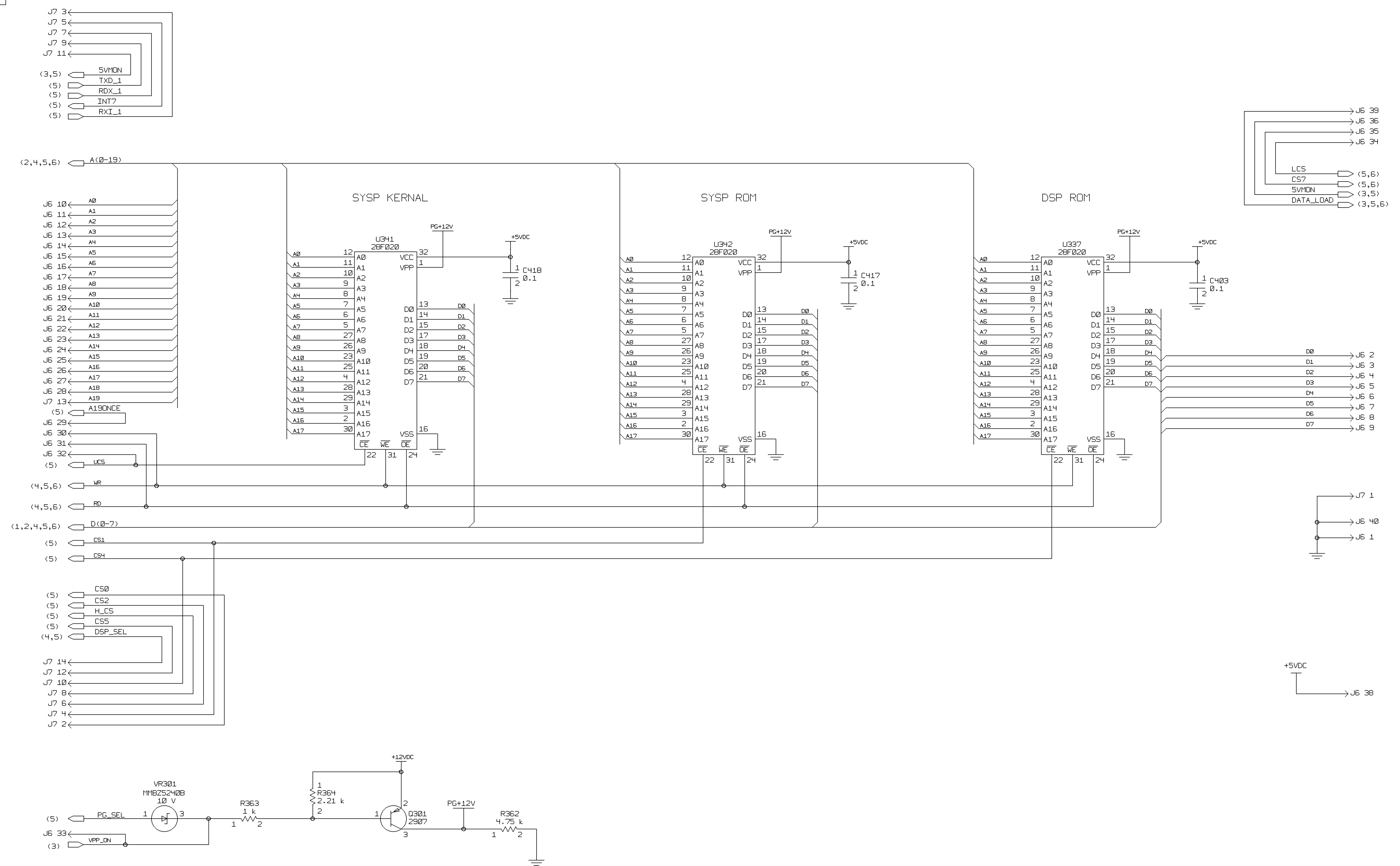
THIS DRAWING IS CREATED FROM DIGITAL DATA



THIS DRAWING IS CREATED FROM DIGITAL DATA

SIZE	CASE CODE	DWG NO.	REV LTR
D	4V792	828-5052-004	G
SCALE	NONE	SHEET	6

THIS DRAWING CREATED FROM RICAL/REDAC DIGITAL DATA



- SPARES
- J7 20
 - J6 37
 - J7 19

THIS DRAWING IS CREATED FROM DIGITAL DATA

SIZE D	CAGE CODE 4V792	DWG NO. 828-5052-004	REV LTR G
SCALE NONE	SHEET 7		