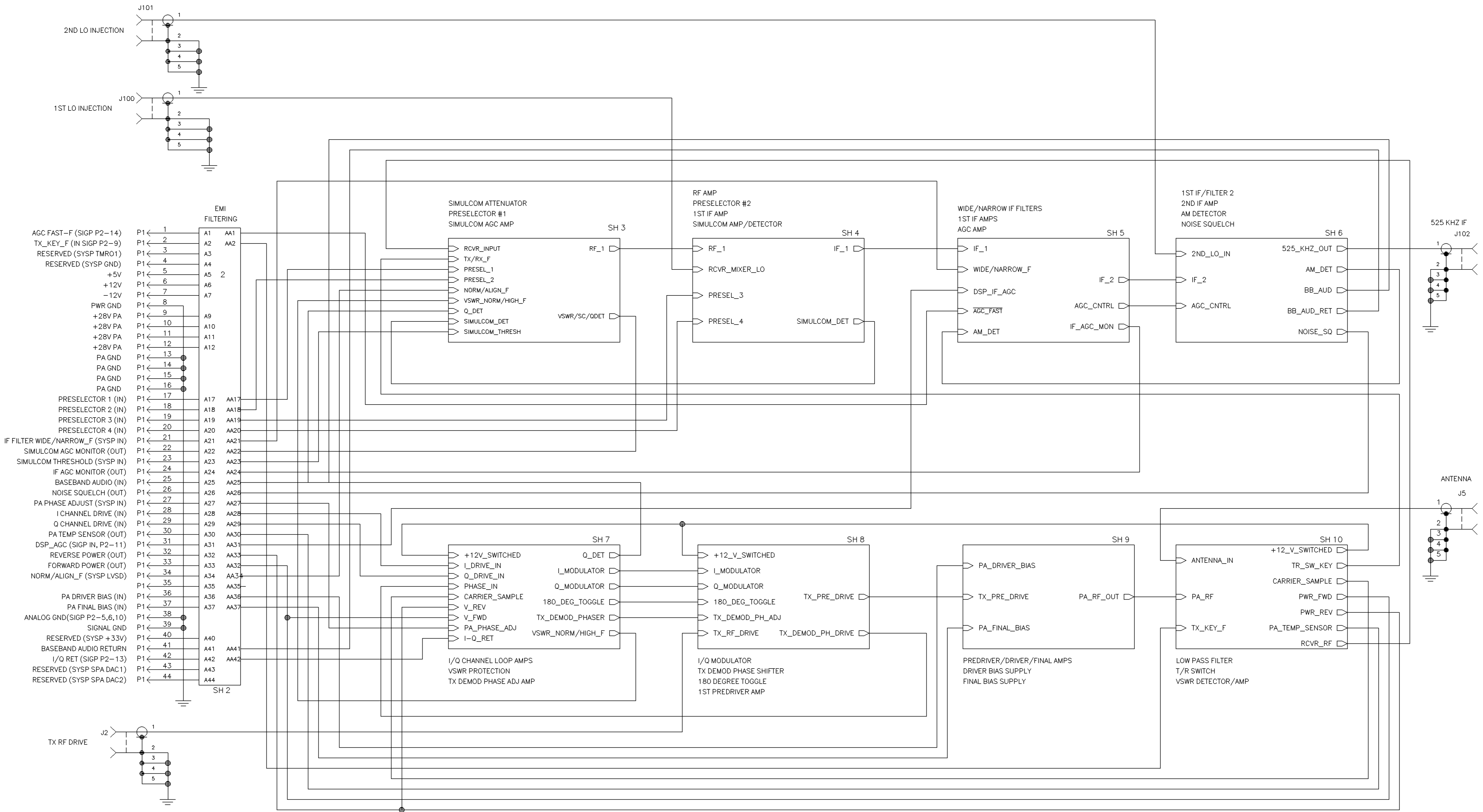


REVISIONS			
LTR	DESCRIPTION	DATE	APVD
F	BV7738	04/11/00	T.S.



Pin	Label	Pin	Label
P1 1	AGC FAST-F (SIGP P2-14)	A17	PRESELECTOR 1 (IN)
P1 2	TX_KEY_F (IN SIGP P2-9)	A18	PRESELECTOR 2 (IN)
P1 3	RESERVED (SYSP TMR01)	A19	PRESELECTOR 3 (IN)
P1 4	RESERVED (SYSP GND)	A20	PRESELECTOR 4 (IN)
P1 5	+5V	A21	IF FILTER WIDE/NARROW_F (SYSP IN)
P1 6	+12V	A22	SIMULCOM AGC MONITOR (OUT)
P1 7	-12V	A23	SIMULCOM THRESHOLD (SYSP IN)
P1 8	PWR GND	A24	IF AGC MONITOR (OUT)
P1 9	+28V PA	A25	BASEBAND AUDIO (IN)
P1 10	+28V PA	A26	NOISE SQUELCH (OUT)
P1 11	+28V PA	A27	PA PHASE ADJUST (SYSP IN)
P1 12	+28V PA	A28	I CHANNEL DRIVE (IN)
P1 13	PA GND	A29	Q CHANNEL DRIVE (IN)
P1 14	PA GND	A30	PA TEMP SENSOR (OUT)
P1 15	PA GND	A31	DSP_AGC (SIGP IN, P2-11)
P1 16	PA GND	A32	REVERSE POWER (OUT)
P1 17	PRESELECTOR 1 (IN)	A33	FORWARD POWER (OUT)
P1 18	PRESELECTOR 2 (IN)	A34	NORM/ALIGN_F (SYSP LVSD)
P1 19	PRESELECTOR 3 (IN)	A35	PA DRIVER BIAS (IN)
P1 20	PRESELECTOR 4 (IN)	A36	PA FINAL BIAS (IN)
P1 21	IF FILTER WIDE/NARROW_F (SYSP IN)	A37	ANALOG GND (SIGP P2-5,6,10)
P1 22	SIMULCOM AGC MONITOR (OUT)	A40	SIGNAL GND
P1 23	SIMULCOM THRESHOLD (SYSP IN)	A41	RESERVED (SYSP +33V)
P1 24	IF AGC MONITOR (OUT)	A42	BASEBAND AUDIO RETURN
P1 25	BASEBAND AUDIO (IN)	A43	I/Q RET (SIGP P2-13)
P1 26	NOISE SQUELCH (OUT)	A44	RESERVED (SYSP SPA DAC1)
P1 27	PA PHASE ADJUST (SYSP IN)		RESERVED (SYSP SPA DAC2)
P1 28	I CHANNEL DRIVE (IN)		
P1 29	Q CHANNEL DRIVE (IN)		
P1 30	PA TEMP SENSOR (OUT)		
P1 31	DSP_AGC (SIGP IN, P2-11)		
P1 32	REVERSE POWER (OUT)		
P1 33	FORWARD POWER (OUT)		
P1 34	NORM/ALIGN_F (SYSP LVSD)		
P1 35	PA DRIVER BIAS (IN)		
P1 36	PA FINAL BIAS (IN)		
P1 37	ANALOG GND (SIGP P2-5,6,10)		
P1 38	SIGNAL GND		
P1 39	RESERVED (SYSP +33V)		
P1 40	BASEBAND AUDIO RETURN		
P1 41	I/Q RET (SIGP P2-13)		
P1 42	RESERVED (SYSP SPA DAC1)		
P1 43	RESERVED (SYSP SPA DAC2)		
P1 44	RESERVED (SYSP SPA DAC2)		

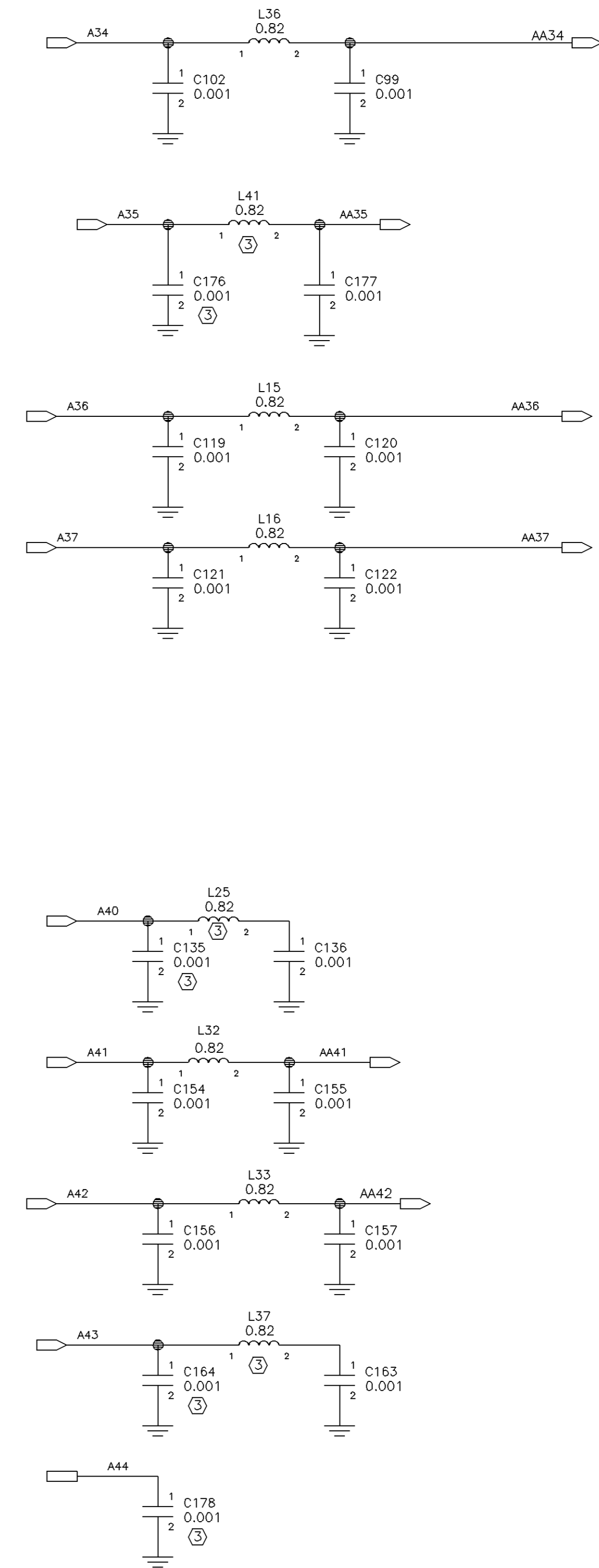
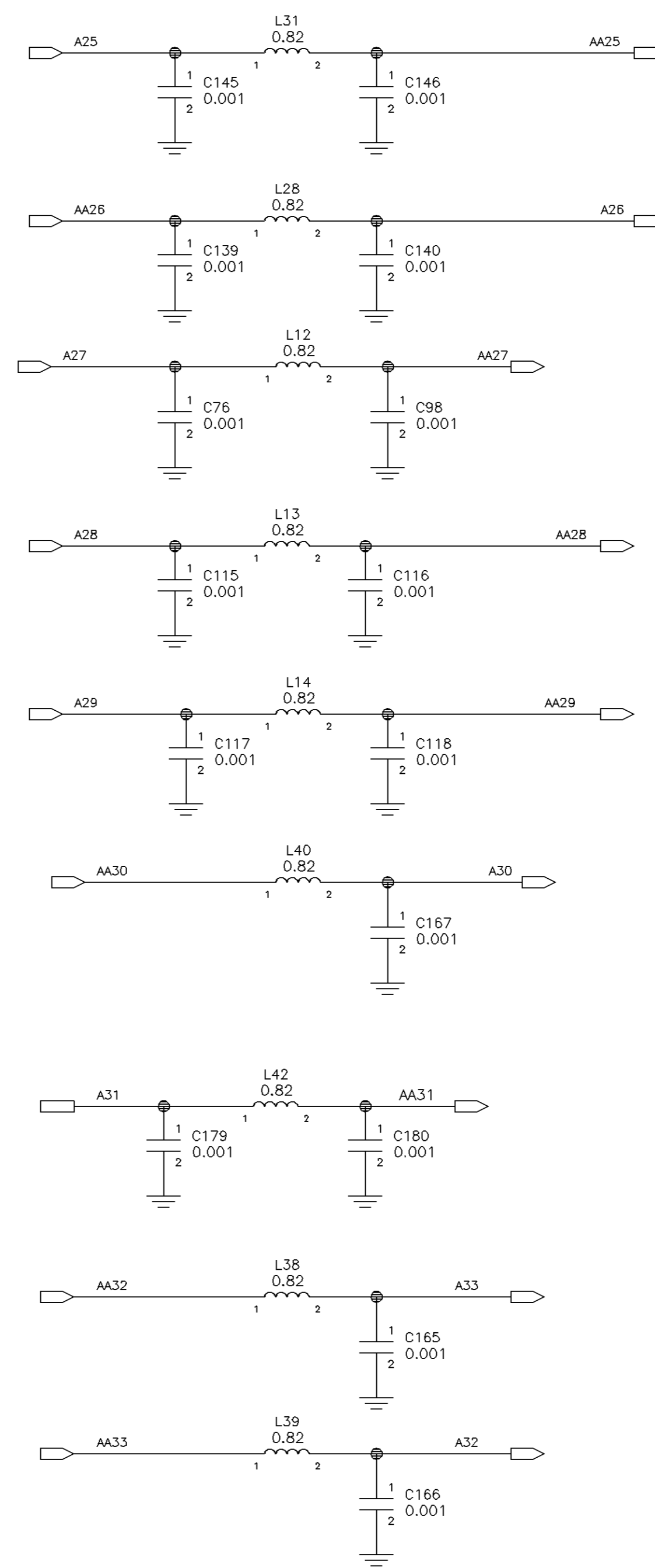
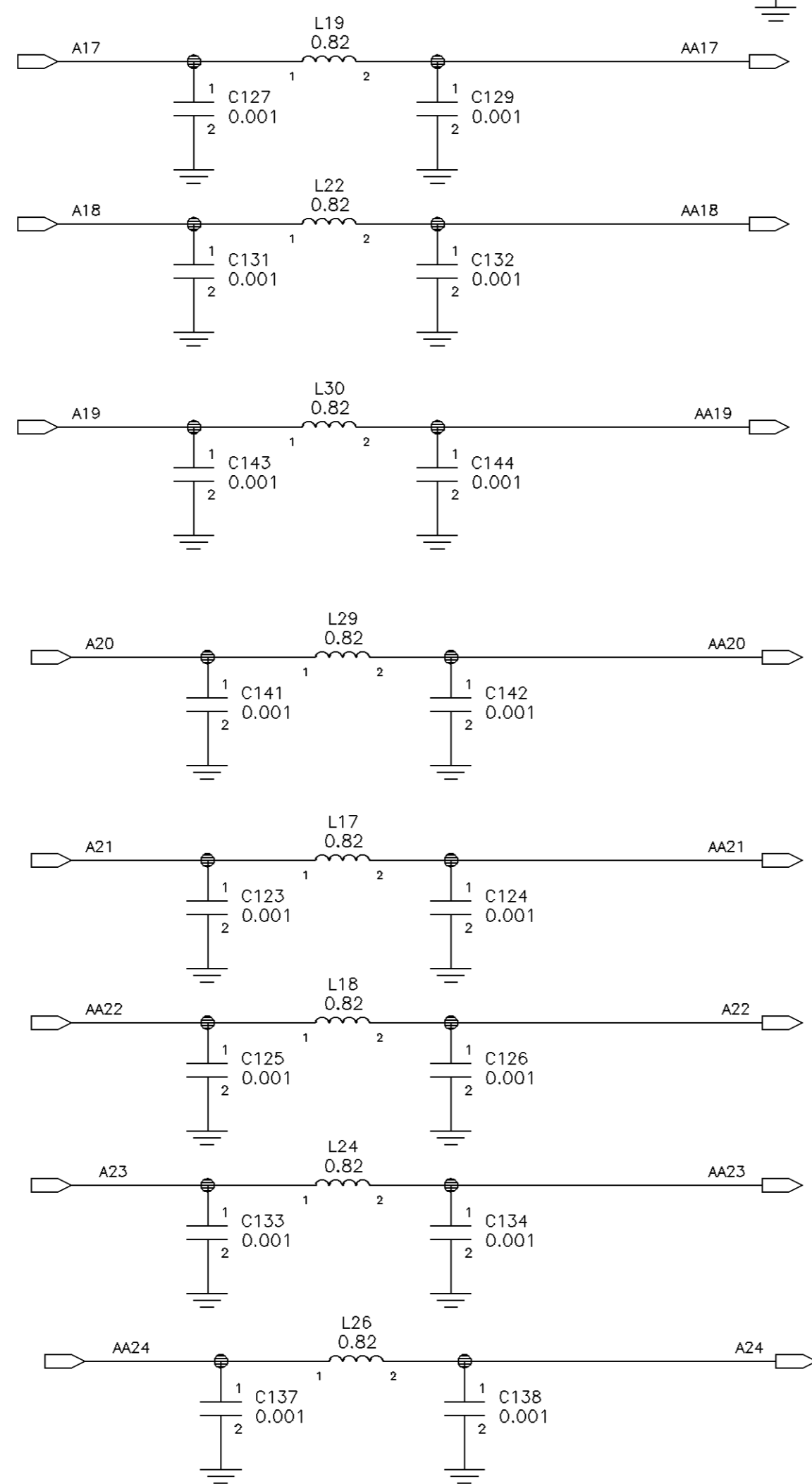
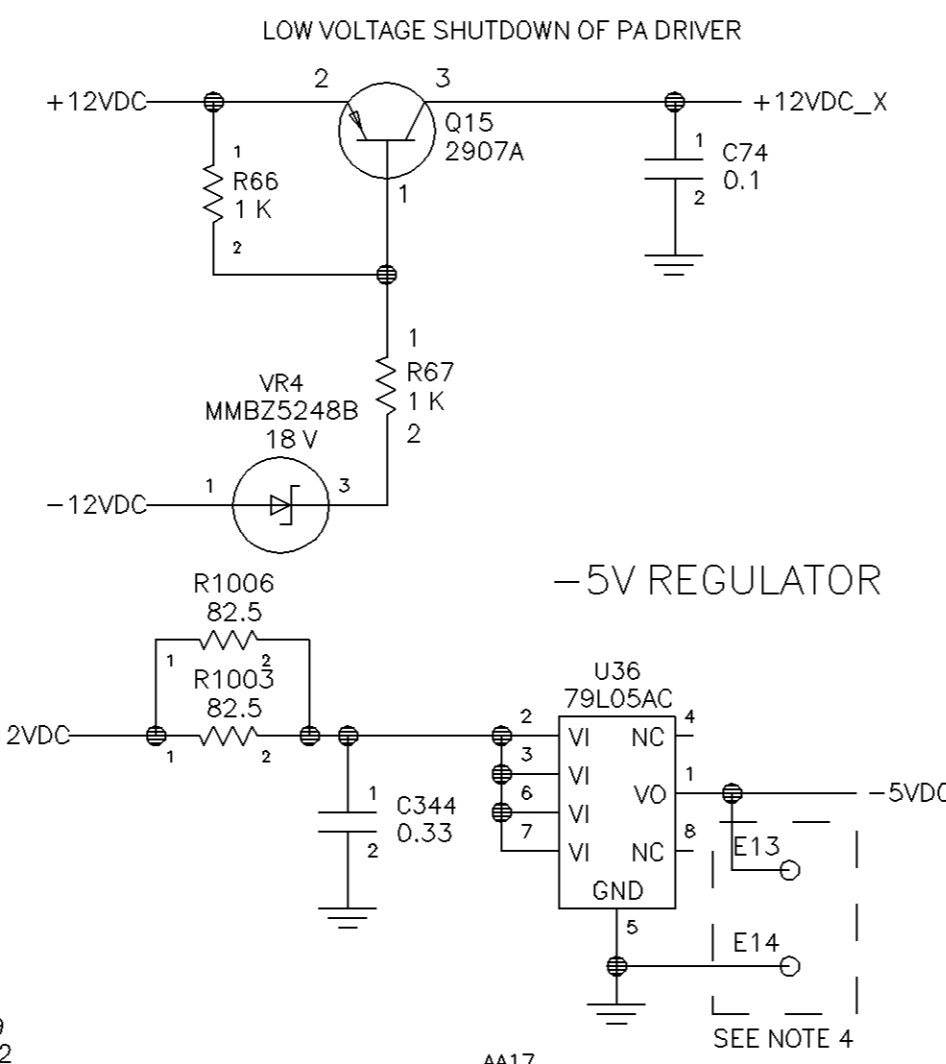
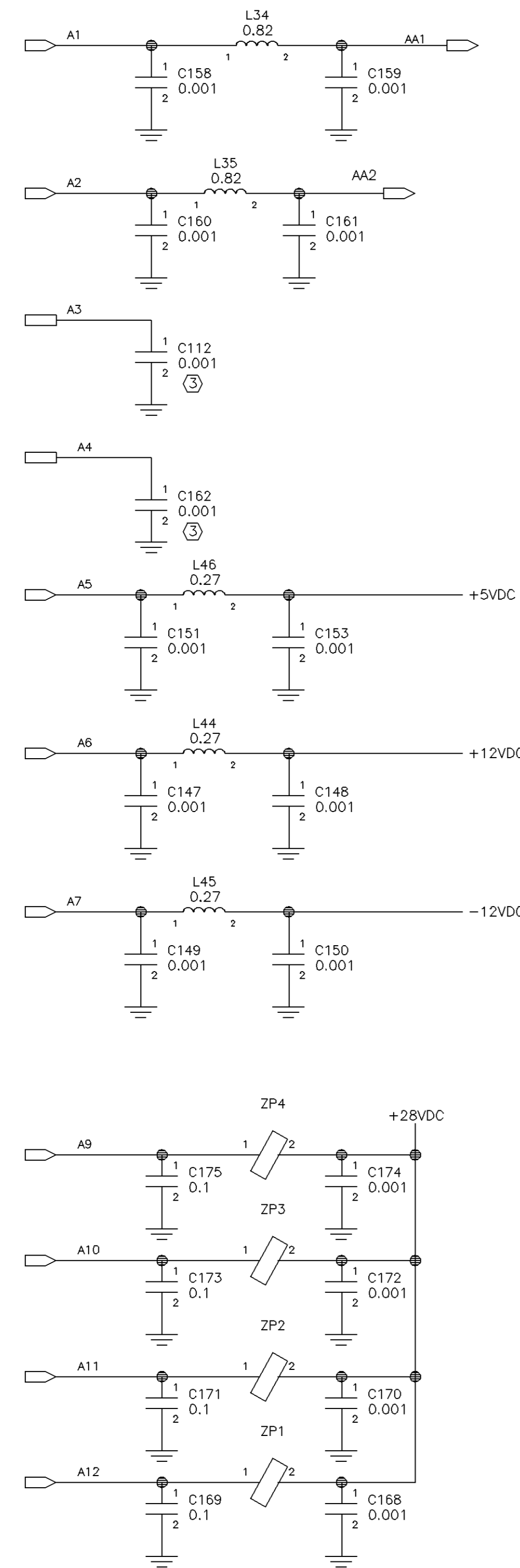
- NOTES:
- UNLESS OTHERWISE SPECIFIED, RESISTANCE VALUES ARE IN OHMS, CAPACITANCE VALUES ARE IN MICROFARADS, AND INDUCTANCE VALUES ARE IN MICROHENRYS.
 - PARTIAL REFERENCE DESIGNATIONS ARE SHOWN; FOR COMPLETE DESIGNATION, PREFIX WITH UNIT AND/OR ASSEMBLY DESIGNATION.
 - SHOWN FOR REFERENCE ONLY AND IS NOT INSTALLED ON FINAL ASSEMBLY.
 - ALL E COMPONENTS ARE CONNECTIONS TO 828-1255-002 ASSEMBLY.

THIS DRAWING IS CREATED FROM DIGITAL DATA

ROCKWELL PROPRIETARY INFORMATION.

PREP Terry L. Stine	ROCKWELL INTERNATIONAL CORPORATION COLLINS AVIONICS GROUP - COMMERCIAL CEDAR RAPIDS, IA 52498		
CHK Al C. Mojaika	SCHEMATIC DIAGRAM, RF MODULE		
ENG APVD F. Studenberg	SIZE D	CAGE CODE 4V792	DWG NO. 828-5051-105
NEXT ASSY PART NO. 676-7351-105,-	SCALE NONE	EQUIPMENT TYPE NO. VHF-900B	REV LTR -
			SHEET 1 of 10

THIS DRAWING CREATED FROM DIGITAL DATA



THIS DRAWING IS CREATED FROM DIGITAL DATA

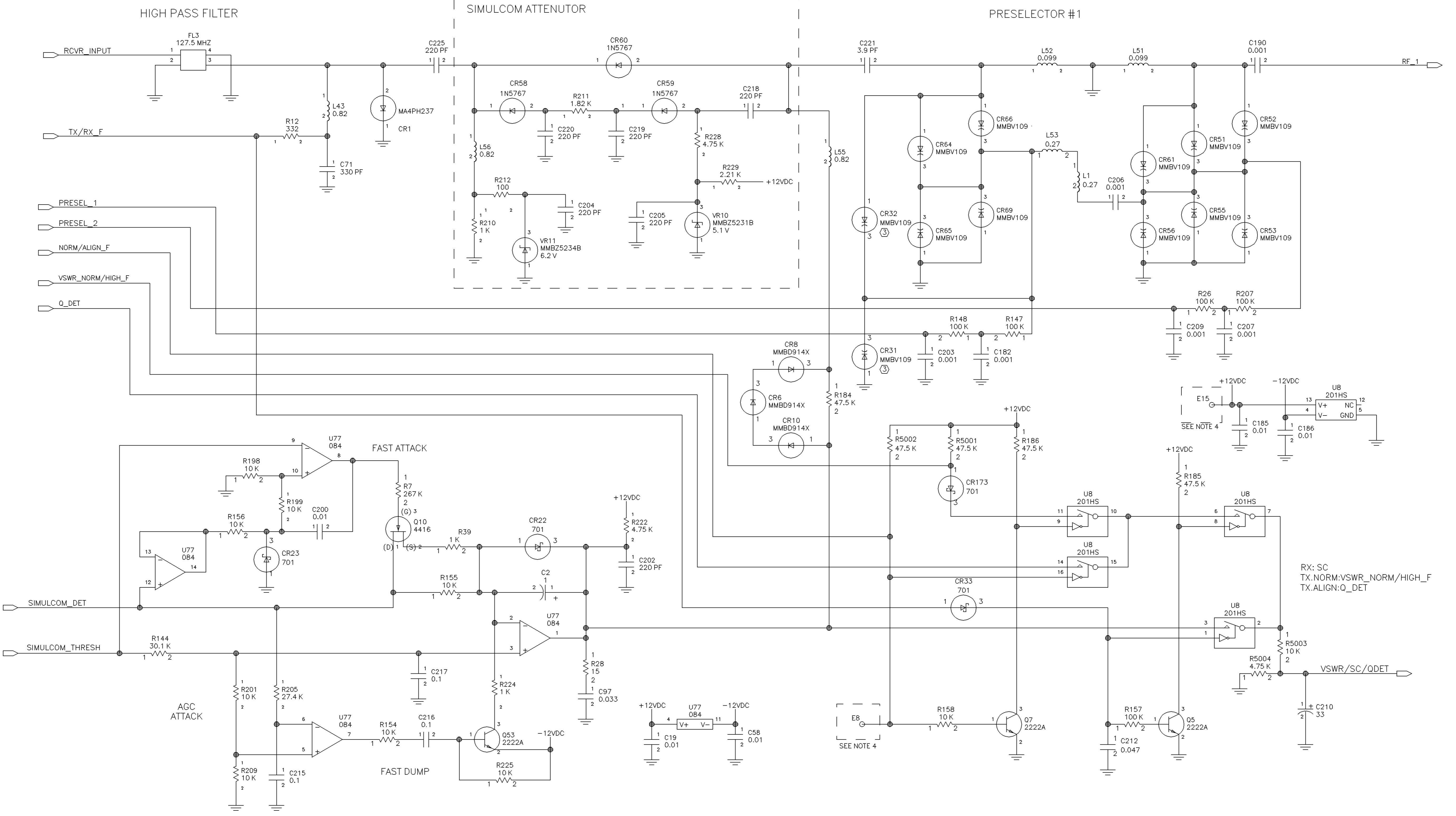
EMI FILTERS

SIZE	CAGE CODE	DWG NO.	REV/LTR
D	4V792	828-5051-105	-
SCALE	NONE	SHEET	2

ROCKWELL PROPRIETARY INFORMATION.

THIS DRAWING CREATED FROM DIGITAL DATA

THIS DRAWING CREATED FROM DIGITAL DATA

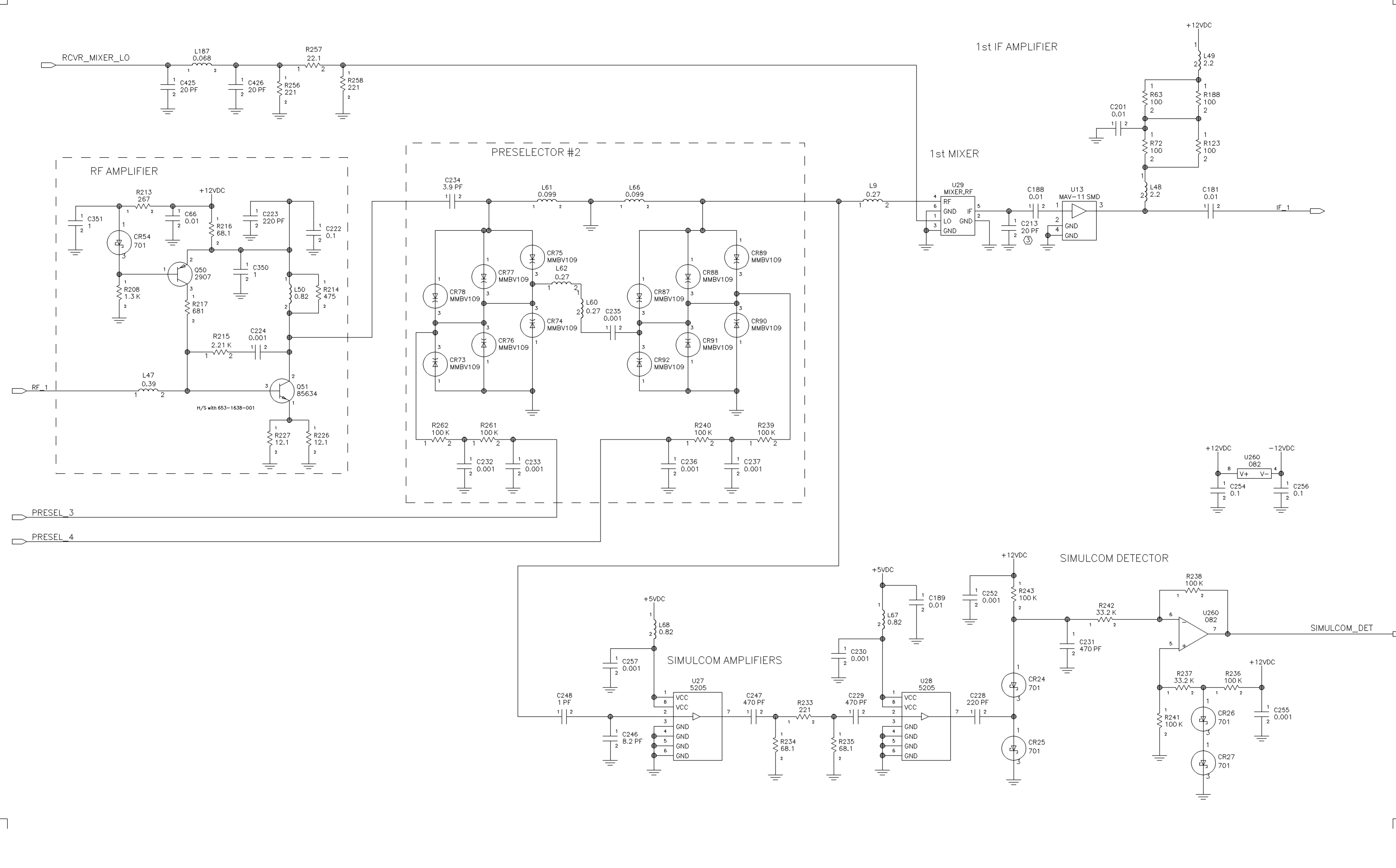


SIMULCOM ATTEN. & PRESEL 1

THIS DRAWING IS CREATED FROM DIGITAL DATA

SIZE	CAGE CODE	DWG NO.	REV/LTR
D	4V792	828-5051-105	-
SCALE	NONE	SHEET	3

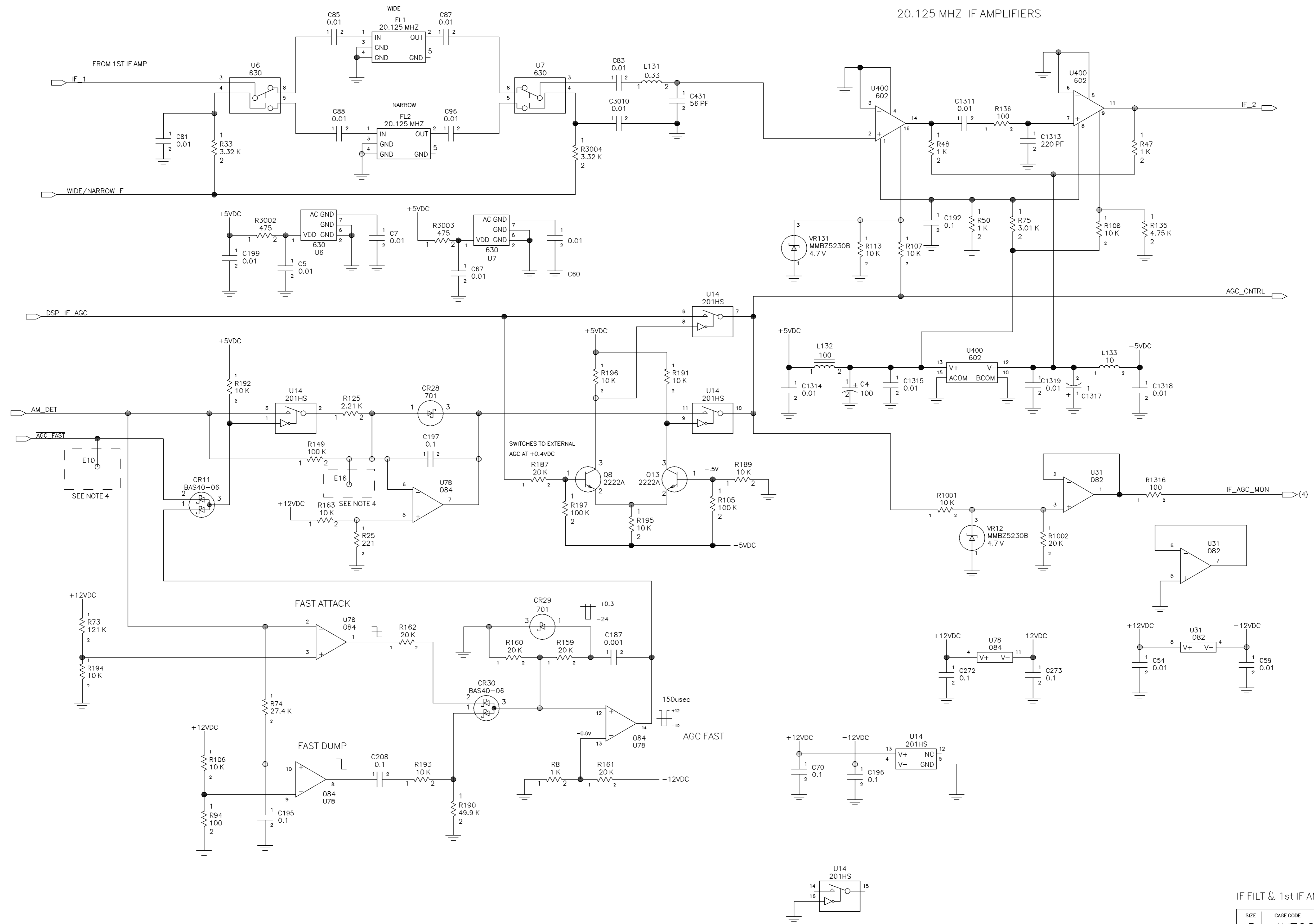
ROCKWELL PROPRIETARY INFORMATION.



RF AMP & PRESEL 2

THIS DRAWING IS CREATED FROM DIGITAL DATA

ROCKWELL PROPRIETARY INFORMATION.		SIZE D	CAGE CODE 4V792	DWG NO. 828-5051-105	REV LTR -
SCALE	NONE	SHEET	4		



IF FILT & 1st IF AMP

SIZE	CAGE CODE	DWG NO.	REV/LTR
D	4V792	828-5051-105	-
SCALE	NONE	SHEET	5

THIS DRAWING IS CREATED FROM DIGITAL DATA

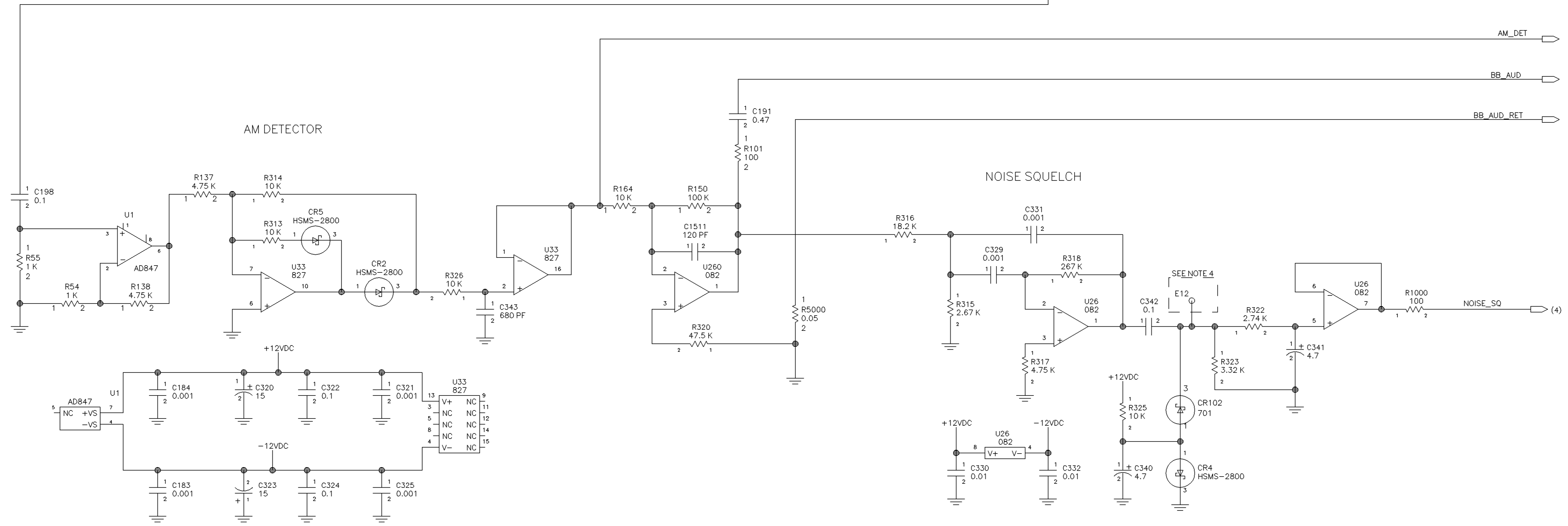
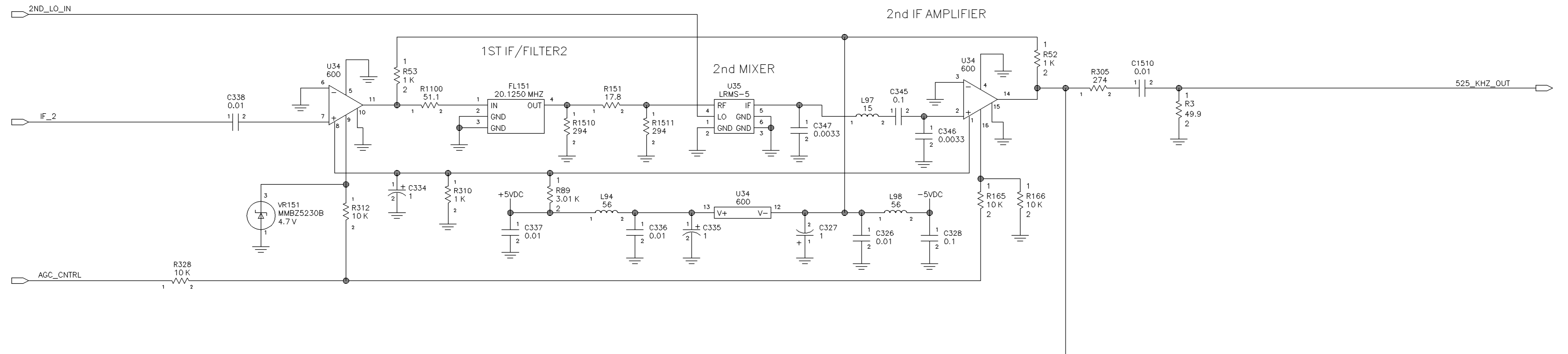
ROCKWELL PROPRIETARY INFORMATION.

Plotted 08/31/00 10:21

DIGITAL DATA ONLY NO MASTER TRACING

a4.1

THIS DRAWING CREATED FROM DIGITAL DATA



IF FILTER 2 & 2ND IF

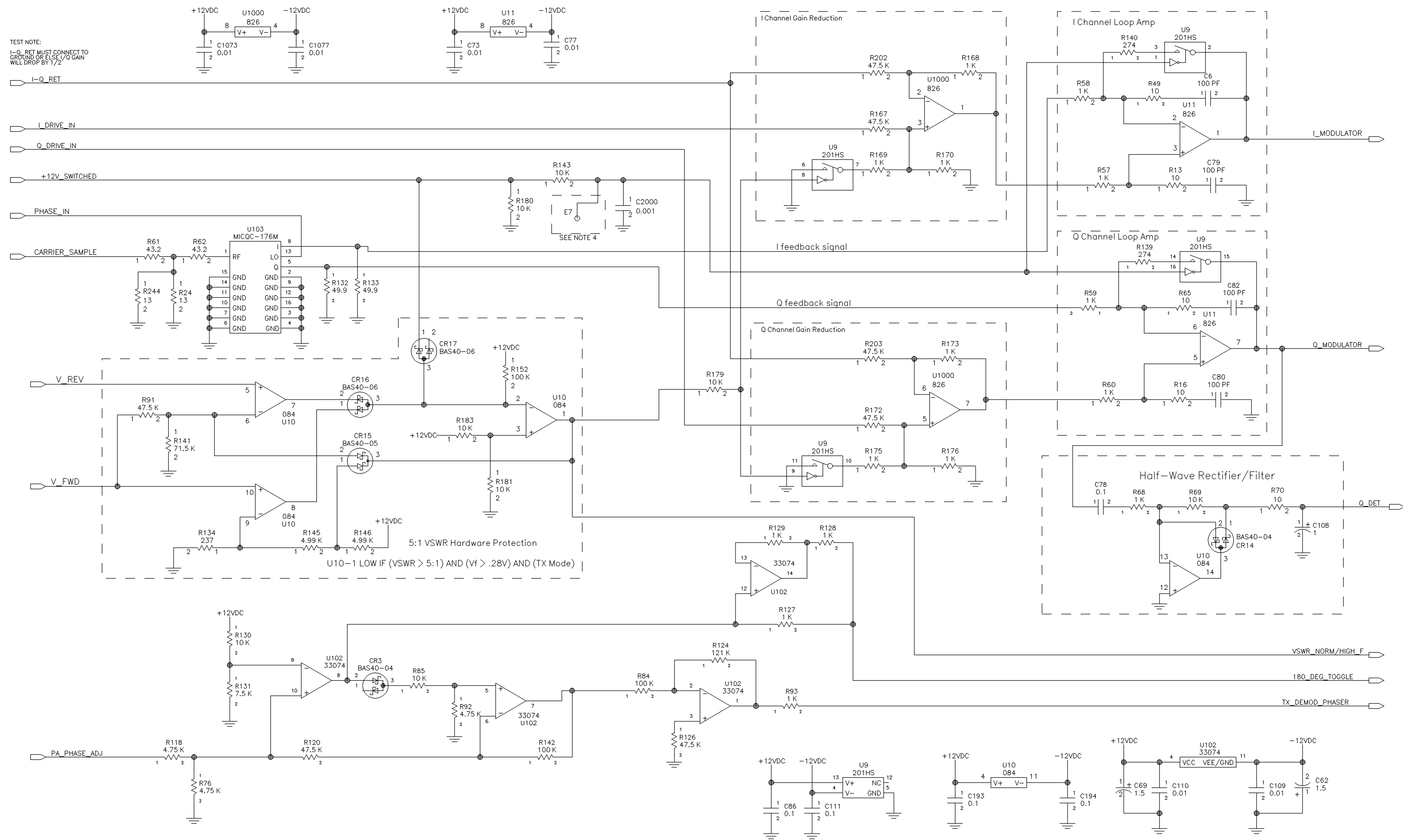
SIZE	CAGE CODE	DWG NO.	REV/LTR
D	4V792	828-5051-105	-
SCALE	NONE	SHEET	6

THIS DRAWING IS CREATED FROM DIGITAL DATA

ROCKWELL PROPRIETARY INFORMATION.

THIS DRAWING CREATED FROM DIGITAL DATA

TEST NOTE:
I-Q_RET MUST CONNECT TO
GROUND OR ELSE I/Q GAIN
WILL DROP BY 1/2

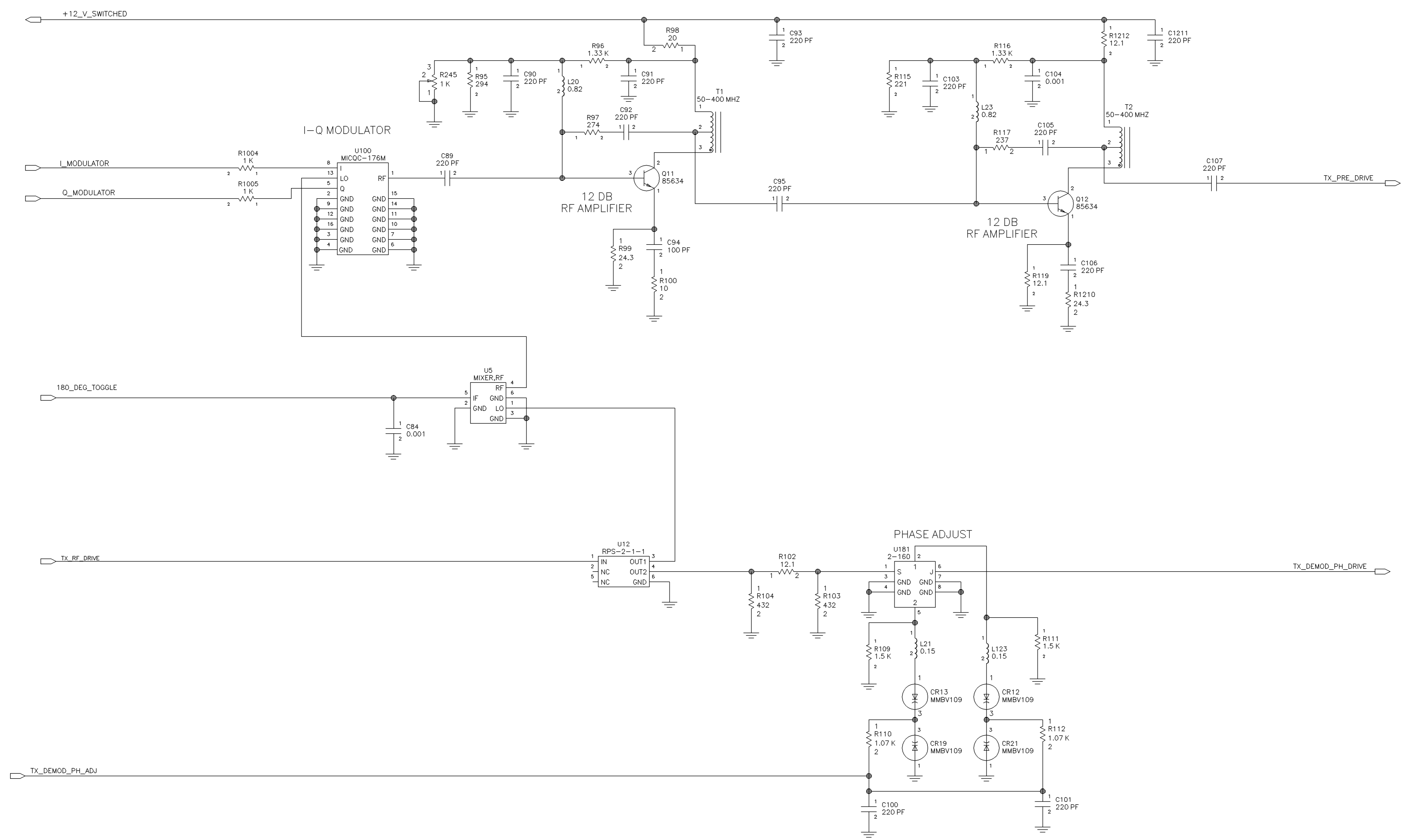


THIS DRAWING IS CREATED FROM DIGITAL DATA

ROCKWELL PROPRIETARY INFORMATION.

I/Q AMP & TX DEMOD			
SIZE	CAGE CODE	DWG NO.	REV/LTR
D	4V792	828-5051-105	-
SCALE	NONE	SHEET	7

THIS DRAWING CREATED FROM DIGITAL DATA



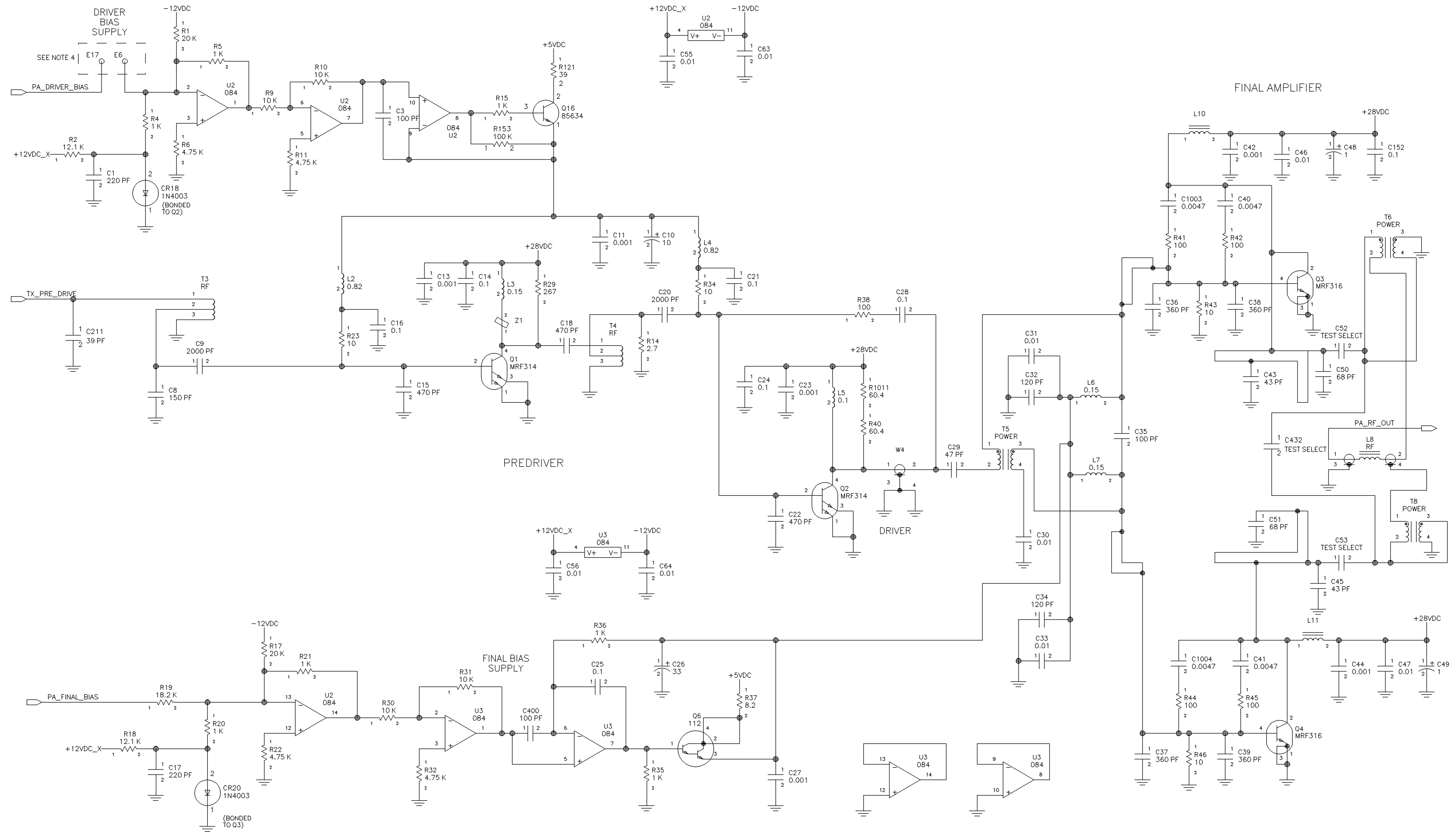
THIS DRAWING IS CREATED FROM DIGITAL DATA

SIZE	CAGE CODE	DWG NO.	REV/LTR
D	4V792	828-5051-105	-
SCALE	NONE	SHEET	8

ROCKWELL PROPRIETARY INFORMATION.

I/Q MODULATOR & PREDRIVER

THIS DRAWING CREATED FROM DIGITAL DATA



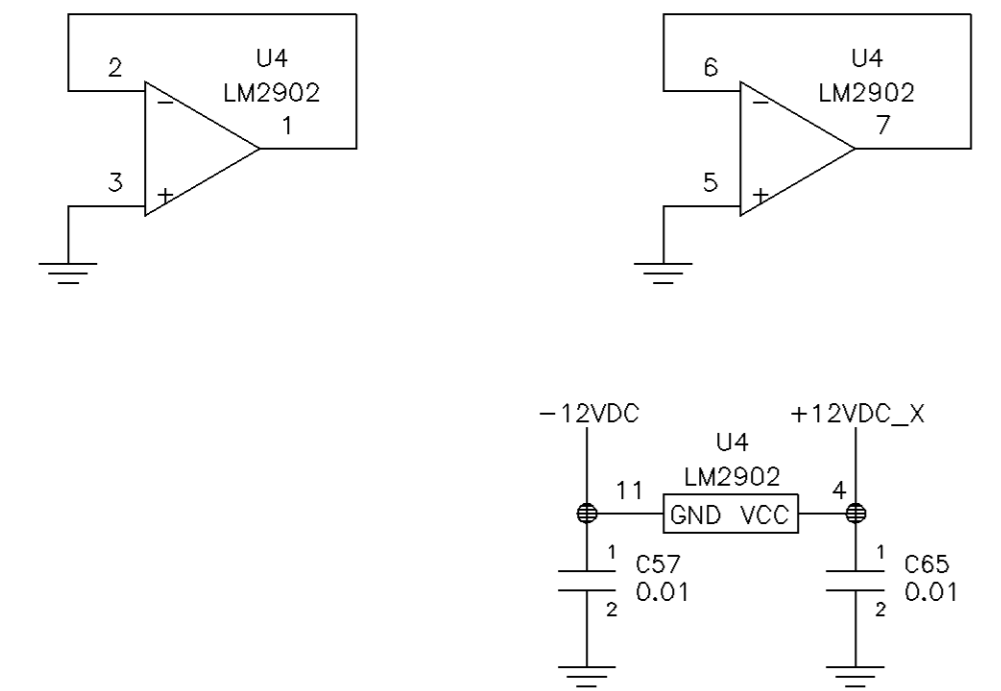
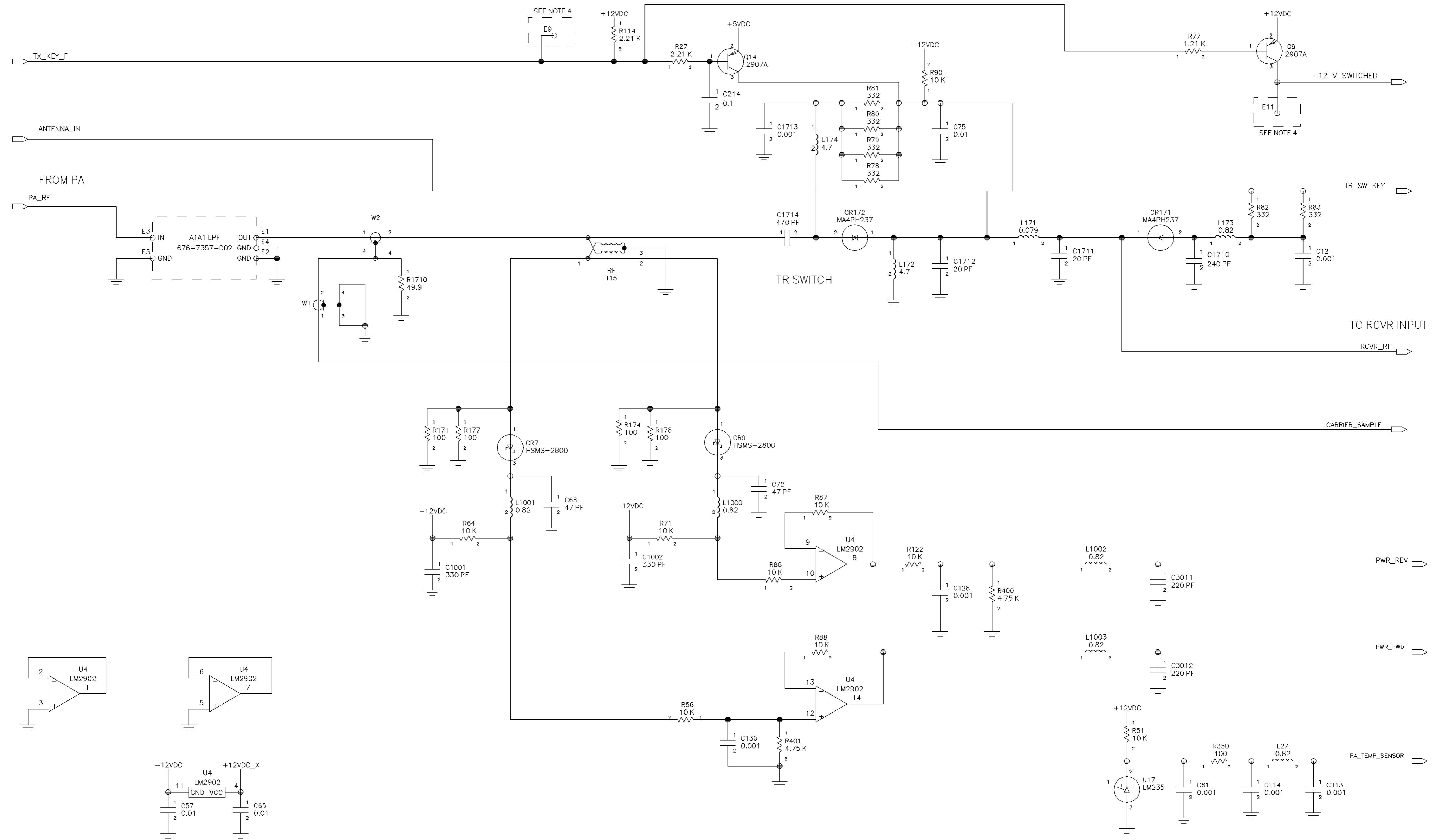
THIS DRAWING IS CREATED FROM DIGITAL DATA

DRIVER, FINAL & BIAS SUPPLY

SIZE	CAGE CODE	DWG NO.	REV/LTR
D	4V792	828-5051-105	-
SCALE	NONE	SHEET	9

ROCKWELL PROPRIETARY INFORMATION. DIGITAL DATA ONLY NO MASTER TRACING

THIS DRAWING CREATED FROM DIGITAL DATA



LPF & T/R SWITCH

SIZE	CAGE CODE	DWG NO.	REV/LTR
D	4V792	828-5051-105	-
SCALE	NONE	SHEET	10

THIS DRAWING IS CREATED FROM DIGITAL DATA

ROCKWELL PROPRIETARY INFORMATION.

THIS DRAWING CREATED FROM DIGITAL DATA