

NOTES:

- 1 IDENTIFICATION MARKING SHALL BE LOCATED APPROXIMATELY WHERE SHOWN IN ACCORDANCE WITH ITEM 1, TYPE 6, CLASS 1.
- 2 ITEM 2 MAY BE UTILIZED ON THIS ASSEMBLY, EXCEPT NO HARDWARE SUBSTITUTION FOR ITEMS 13 AND 14.
- 3. UNLESS OTHERWISE SPECIFIED, ASSEMBLY AND INSPECTION SHALL BE IN ACCORDANCE WITH ITEM 3.
- 4. ITEM IDENTIFICATION BALLOONS DENOTE ITEM NUMBER OR ITEM NUMBER - QUANTITY.
- 5. WHEN NO OTHER LOCKING METHOD IS PROVIDED, LIQUID STAKE ALL THREADED FASTENERS USING ITEM 4 IN ACCORDANCE WITH ITEM 5.
- 6 CAUTION: THIS ASSEMBLY CONTAINS ELECTROSTATIC DISCHARGE SENSITIVE DEVICES AND SHALL BE HANDLED IN ACCORDANCE WITH ITEM 6. APPLY ITEM 10 LOCATED APPROXIMATELY WHERE SHOWN IN ACCORDANCE WITH ITEM 8.
- 7 APPLY ITEMS 11, 15, 16, 25, **32, 34, 35 AND 36** AND **32** LOCATED APPROXIMATELY WHERE SHOWN IN ACCORDANCE WITH ITEM 8. **CHG**
- 8 APPLY ITEM 9 INTO RECESS OF ITEM 21 AND ITEMS 19 APPROXIMATELY CENTERED ON RAISED BOSSES OF ITEM 21 AS SHOWN IN ACCORDANCE WITH ITEM 7.
- 9 FIRST ASSEMBLE ITEM 18 TO ITEM 21 IN THE BOTTOM LOCATION, THEN WITH ITEMS 20 AND 26 IN PLACE. ASSEMBLE ITEM 18 TO ITEM 21 ON THE TOP LOCATION. ADJUST ITEM 18 TO MINIMIZE CLEARANCE BEFORE TIGHTENING TO ITEM 21. ENSURE DOOR SWINGS FREELY AND CAN BE SCREWED SHUT WITH THUMBSCREW. ASSEMBLE ITEM 17 INTO ITEM 21 AND ADJUST ITEM 17 APPROXIMATELY 1.5 TURNS OUT FROM SEATED POSITION WITH ITEM 20 IN CLOSED POSITION.
- 10 ITEM 25 SHALL RECORD THE DASH NUMBER AND THE WEIGHT OF THE UNIT TO NEAREST ONE-TENTH (0.1) POUND.
- 11 ITEM 15 SHALL RECORD THE SERIAL NUMBER, MANUFACTURER AND THE DATE OF MANUFACTURE.
- 12 WHEN THE REVISION LISTED IN THE SERVICE BULLETIN (SB) CHART IS INSTALLED IN THE ASSEMBLY, MARK OR OBLITERATE THE RELATED SB NUMBER ON ITEM 15.
- 13. INFORMATION ENCLOSED IN PARENTHESES IS FOR REFERENCE ONLY.
- 14 MARK ITEM 16 WITH PROJECT IMS-6010, COMPANY PART NUMBER 822-3132-931, SERIAL NUMBER AND EQUIPMENT TYPE IMS-6010. WHEN THE REVISION LISTED IN THE ENGINEERING MODIFICATION (MOD) CHART IS INSTALLED IN THE ASSEMBLY, MARK OR OBLITERATE THE RELATED MOD NUMBER ON ITEM 16.
- 15 INSTALL ITEM 31 AS SHOWN THEN INSTALL COVERS ITEM 33 AND SCREWS ITEM 14.
- 16 DO NOT PLACE INSPECTION SEALS ON ITEMS 33 AND 14.

**3 SHEET MARKUP
CHANGES SHEETS 1 AND 2**

12 SERVICE BULLETIN CHART

REV	SB NO	VENDOR MOD STATUS	NOTE	REV	SB NO	VENDOR MOD STATUS	NOTE	REV	SB NO	VENDOR MOD STATUS	NOTE	REV	SB NO	VENDOR MOD STATUS	NOTE
ENG CHANGE OBJECT				ENG CHANGE OBJECT				ENG CHANGE OBJECT				ENG CHANGE OBJECT			

14 ENGINEERING MODIFICATION CHART

REV	MOD NO	NOTE	REV	MOD NO	NOTE	REV	MOD NO	NOTE	REV	MOD NO	NOTE	REV	MOD NO	NOTE	REV	MOD NO	NOTE
B	00		B	01													
ENG CHANGE OBJECT ECO-0513649			ENG CHANGE OBJECT ECO-0513649			ENG CHANGE OBJECT			ENG CHANGE OBJECT			ENG CHANGE OBJECT			ENG CHANGE OBJECT		

REVISION HISTORY

REV	DESCRIPTION	DATE	APPROVED
A	ECO-0503436	2015-01-07	TAP
B	ECO-0513649	2015-04-06	TAP
C	ECO-0		

CAD MAINTAINED, CHANGES SHALL BE INCORPORATED BY THE DESIGN ACTIVITY

PARTS LIST CONTINUED ON FOLLOWING SHEET **ADD**

QTY	ITEM NO	PART OR IDENTIFYING NUMBER	NOMENCLATURE OR DESCRIPTION	DOCUMENT NO	CAGEC	NOTES	REF DESIGNATOR
2	33	983-8095-312	PLATE, COVER				15,16
1	32	280-3889-130	LABEL, COA - WINDOWS EMBEDDED 7				7
1	31	270-3480-010	SUBSCRIBER IDENTIFICATION MODULE CARD				15
REF	30	983-8095-320	INSTALLATION DRAWING, IMS-6010				
1	29	018-0291-480	SHIELDING GASKET, ELECTRONIC, O-RING				
1	28	MS90376-8YB	CAP, DUST - CONDUCTIVE (8Y)				
2	27	MS90376-22RB	CAP, DUST - CONDUCTIVE (22R)				
2	26	MS51859-3	WASHER, FLAT - NYLON .312 OD X .156 ID				9
1	25	983-8978-001	PLATE, IDENTIFICATION - NON TSO				7,10
1	24	983-8095-410	CHASSIS ASSEMBLY				6
1	23	983-8095-319	COVER, SIDE - RIGHT				
1	22	983-8095-318	COVER, SIDE - LEFT				
1	21	983-8095-314	PANEL, FRONT				8,9
1	20	983-8095-313	DOOR, FRONT ACCESS				9
2	19	983-8095-233	RETAINER, CCA				8
2	18	983-8095-231	BLOCK, HINGE				9
2	17	846-5017-020	PLUNGER, SPRING				9
1	16	838-7004-090	LABEL, MOD				7,14
1	15	829-0200-018	PLATE, IDENT - MOD STATUS				7,11,12
33	14	342-1350-020	SCREW, .112-40 X .25 FLH 100				2,15,16
1	13	342-0132-000	SCREW, .086-56 X .19 FLH				2
4	12	324-1659-030	SCREW, .086-56 X .38 SCH				
1	11	280-3889-010	LABEL, COA - WINDOWS EMBEDDED XP				7
1	10	280-2745-120	LABEL, WARNING, ESD				6
1	9	200-1122-010	BUMPER, ADHESIVE BACKED				8
REF	8	580-5168-000	PROCESS AND QUALITY REQ, APPLICATION				6,7
REF	7	580-0907-001	PROCESS, PRESSURE SENSITIVE ADHESIVE BONDING				8
REF	6	489-0004-001	INTERNAL HANDLING PROCEDURE, ESDS DEVICES				6
REF	5	580-5677-001	PROCESS APPLICATION, THREAD LOCKING				5
AR	4	005-2028-010	LIQUID, LOCKING				5
REF	3	523-0778764	ROCKWELL COLLINS WORKMANSHIP STD MANUAL				3
REF	2	580-6520-001	STANDARD ASSEMBLY PRACTICES				2
REF	1	580-1497-001	PROCESS, MARKING, IDENTIFICATION				1

THE TECHNICAL DATA IN THIS DOCUMENT (OR FILE) IS CONTROLLED FOR EXPORT UNDER THE EXPORT ADMINISTRATION REGULATIONS (EAR), 15 CFR PARTS 730-774. VIOLATIONS OF THESE EXPORT LAWS MAY BE SUBJECT TO FINES AND PENALTIES UNDER THE EXPORT ADMINISTRATION ACT.

NOTICE: THE CONTENTS OF THIS DOCUMENT ARE PROPRIETARY TO ROCKWELL COLLINS AND SHALL NOT BE DISCLOSED, DISSEMINATED, COPIED, OR USED EXCEPT FOR PURPOSES EXPRESSLY AUTHORIZED IN WRITING BY ROCKWELL COLLINS.

COPYRIGHT 2015 ROCKWELL COLLINS. ALL RIGHTS RESERVED



PARTS LIST

CONTRACT NO	-----
PREP	2014-06-19 C.W.GLOE
CHK	ON FILE
APVD	ON FILE J.D.PFLUGHAUPT
FINAL	IMS-6010
NEXT ASSY	USED ON
APPLICATION	
THIRD ANGLE PROJECTION	

ROCKWELL COLLINS

INFORMATION MANAGEMENT SYSTEM - IMS-6010

SIZE: D CAGEC: OEFDO DWG NO: 822-3132-931

SCALE: NONE SHEET 1 OF 3

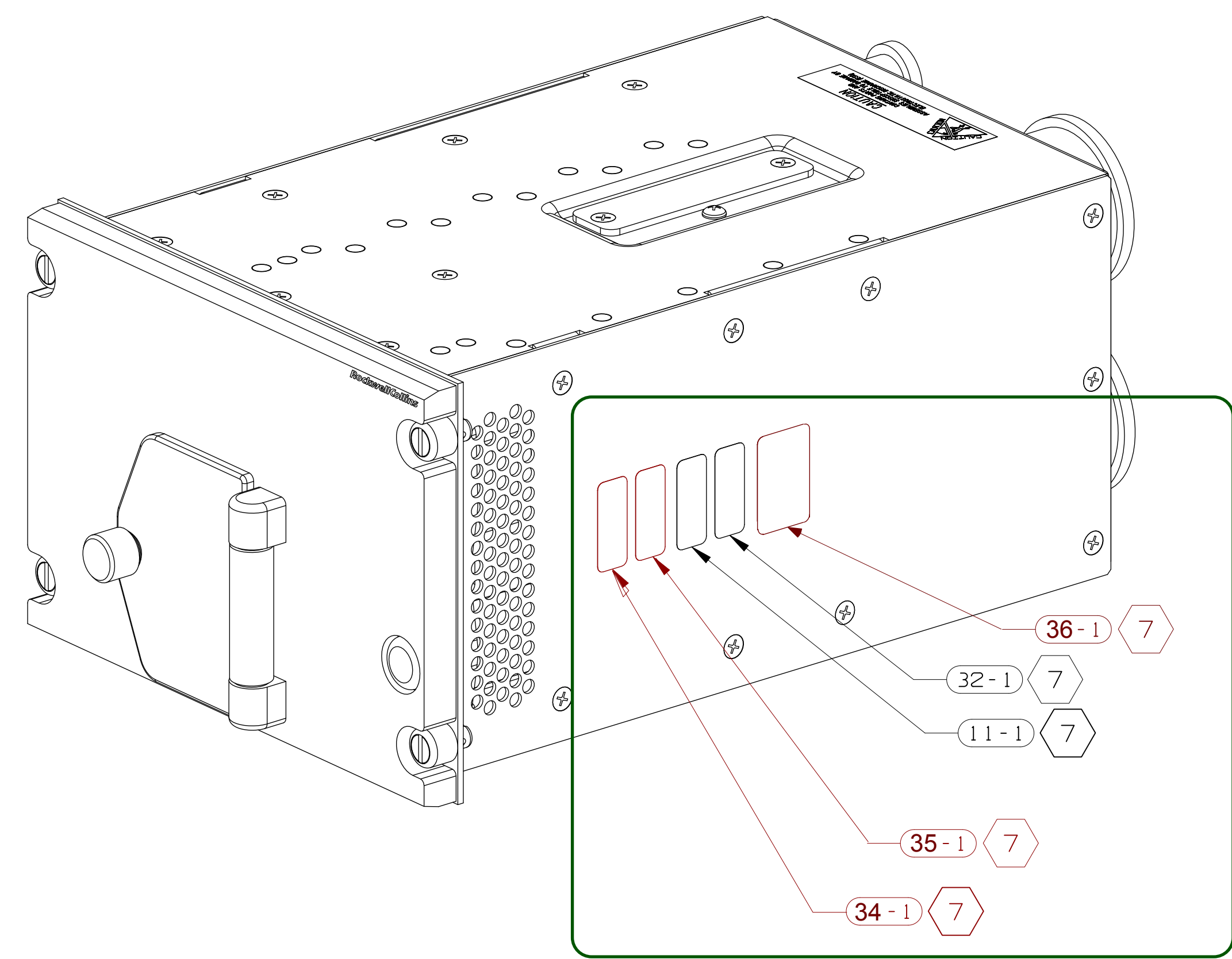
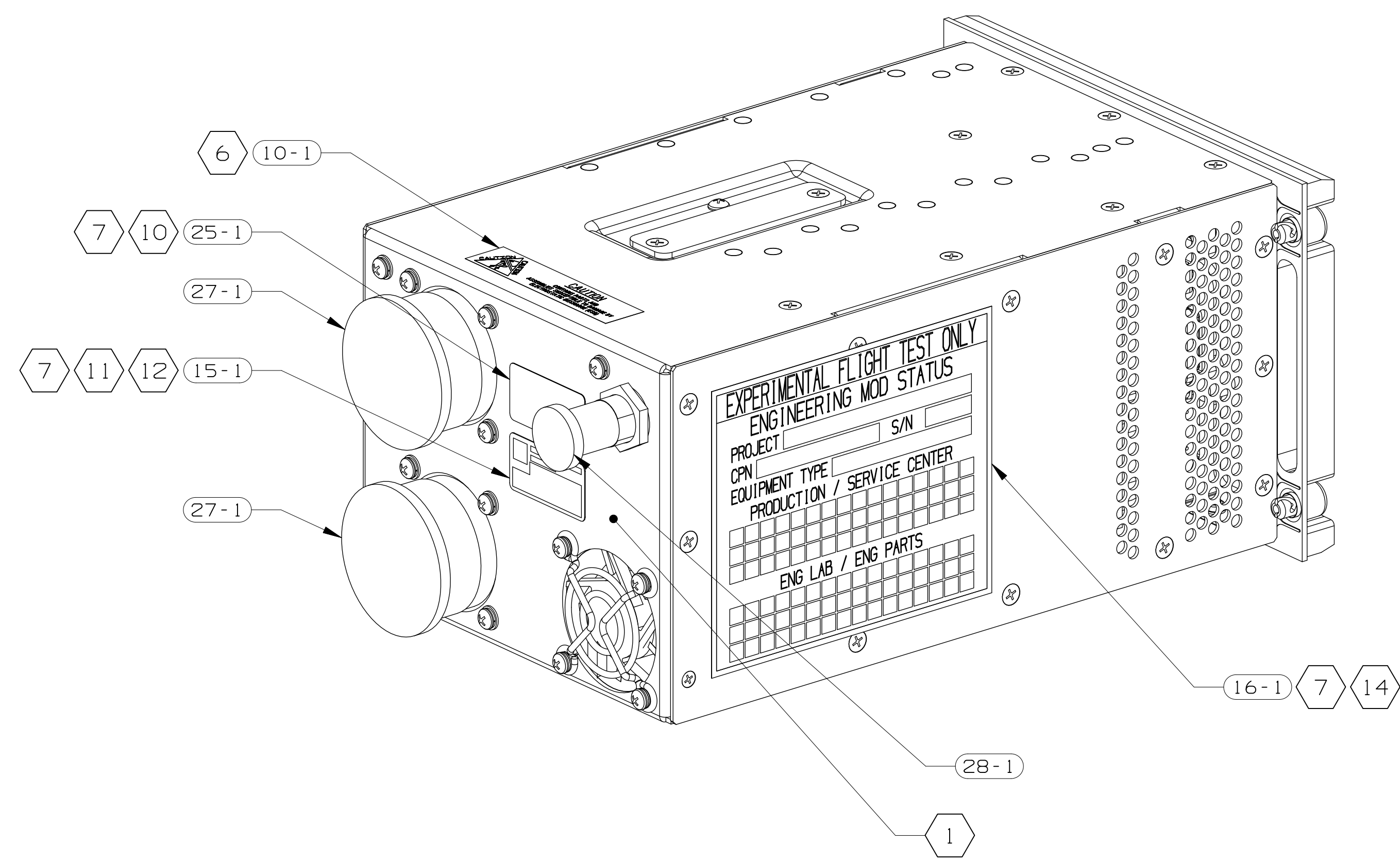
ADD

B C

STATE 3 - ENGINEERING RELEASE 2015-04-07

8 7 6 5 4 3 2 1

D
C
B
A



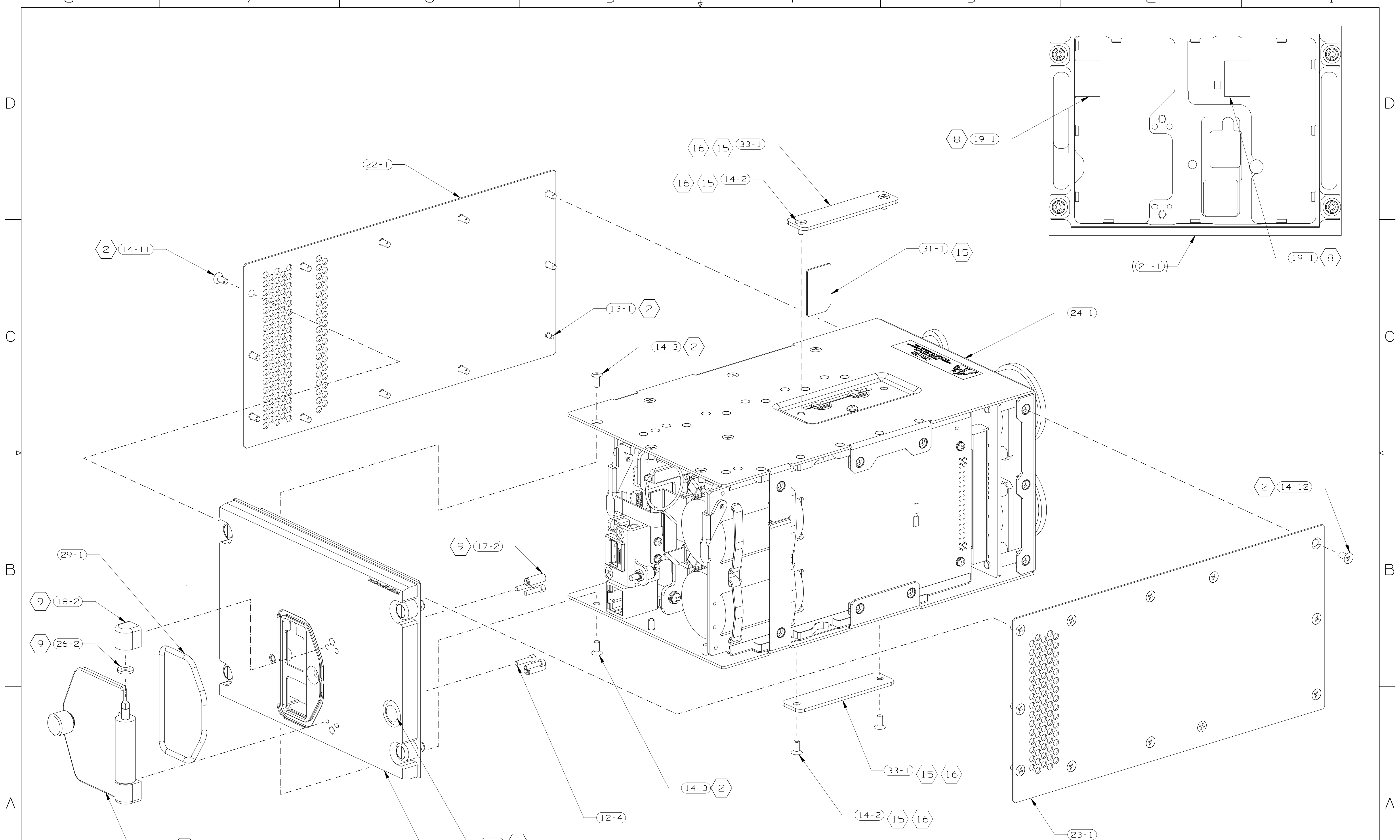
ADD

ADD

QTY	ITEM NO	PART OR IDENTIFYING NUMBER	NOMENCLATURE OR DESCRIPTION	DOCUMENT NO	CAGEC	NOTES	REF DESIGNATOR
1	36	983-4168-001	LABEL, FCC			7	
1	35	983-8095-912	LABEL, MIC ID			7	
1	34	983-8095-911	LABEL, FCC ID			7	
PARTS LIST							

ROCKWELL COLLINS PROPRIETARY INFORMATION
COPYRIGHT 2015 ROCKWELL COLLINS. ALL RIGHTS RESERVED

SIZE	CAGEC	DWG NO.	REV
D	OEFD0	822-3132-931	B C
SCALE	NONE	SHEET	2



SHEET FOR REFERENCE ONLY

ROCKWELL COLLINS PROPRIETARY INFORMATION
 COPYRIGHT 2015 ROCKWELL COLLINS. ALL RIGHTS RESERVED

SIZE	CAGEC	DWG NO.	REV
D	OEFD0	822-3132-931	B
SCALE	NONE	SHEET	3

STATE 3 - ENGINEERING RELEASE 2015-04-07