

## **UMTS-2100**

### **Exhibit A – ID Label and Location Information**

# UMTS-2100

---

## Exhibit A – ID Label and Location Information

### List of Figures

Figure A-1. UMTS-2100 unit ID plate for FAA-PMA Compliance.....	3
Figure A-2. UMTS-2100 FCC ID Label .....	3
Figure A-3. UMTS-2100 FCC Part 15.9 statement Label.....	3
Figure A-4. UMTS-2100 showing label locations.....	4

# UMTS-2100

## Exhibit A – ID Label and Location Information

The UMTS-2100 unit ID plate and FCC ID label, FCC Part 15.9 statement label is shown below in Figure A-1, Figure A-2 and Figure A-3 respectively. The unit ID label shown here is to allow for growth to FAA-PMA compliance once PMA is released and the system shows compliance with the new requirements contained therein. Figure A-4 shows the location of this label on the fully assembled UMTS-2100 unit.



Figure A-1. UMTS-2100 unit ID plate for FAA-PMA Compliance

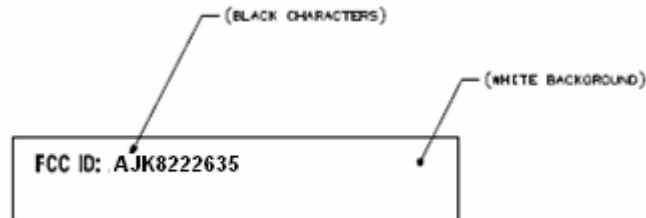


Figure A-2. UMTS-2100 FCC ID Label

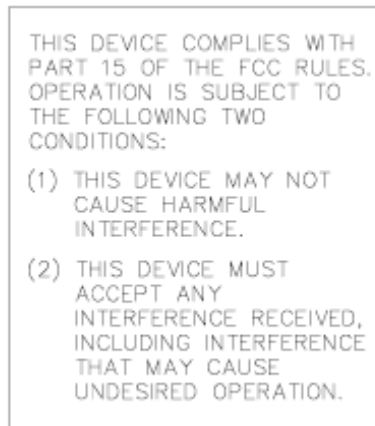


Figure A-3. UMTS-2100 FCC Part 15.9 statement Label

# UMTS-2100

---

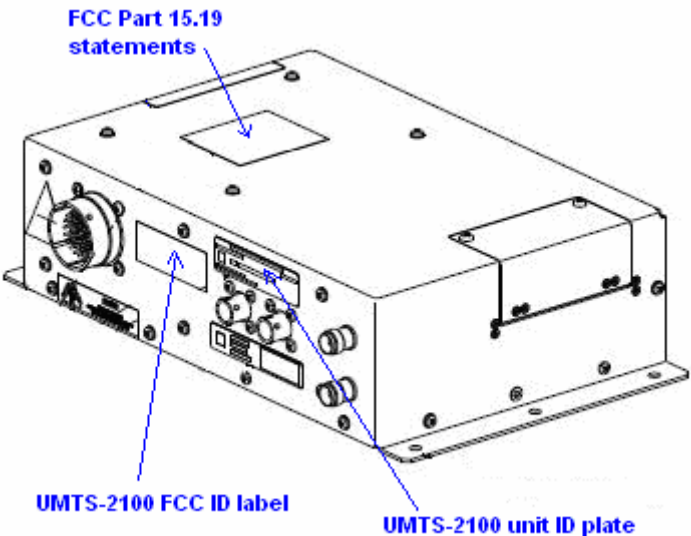


Figure A-4. UMTS-2100 showing label locations