

429 TRANSMITTERS

THIS DRAWING IS CREATED FROM DIGITAL DATA

SIZE	CAGE CODE	DWG NO.	REV LTR
D	4V792	828-8587-002	E
SCALE	NONE		SHEET 9

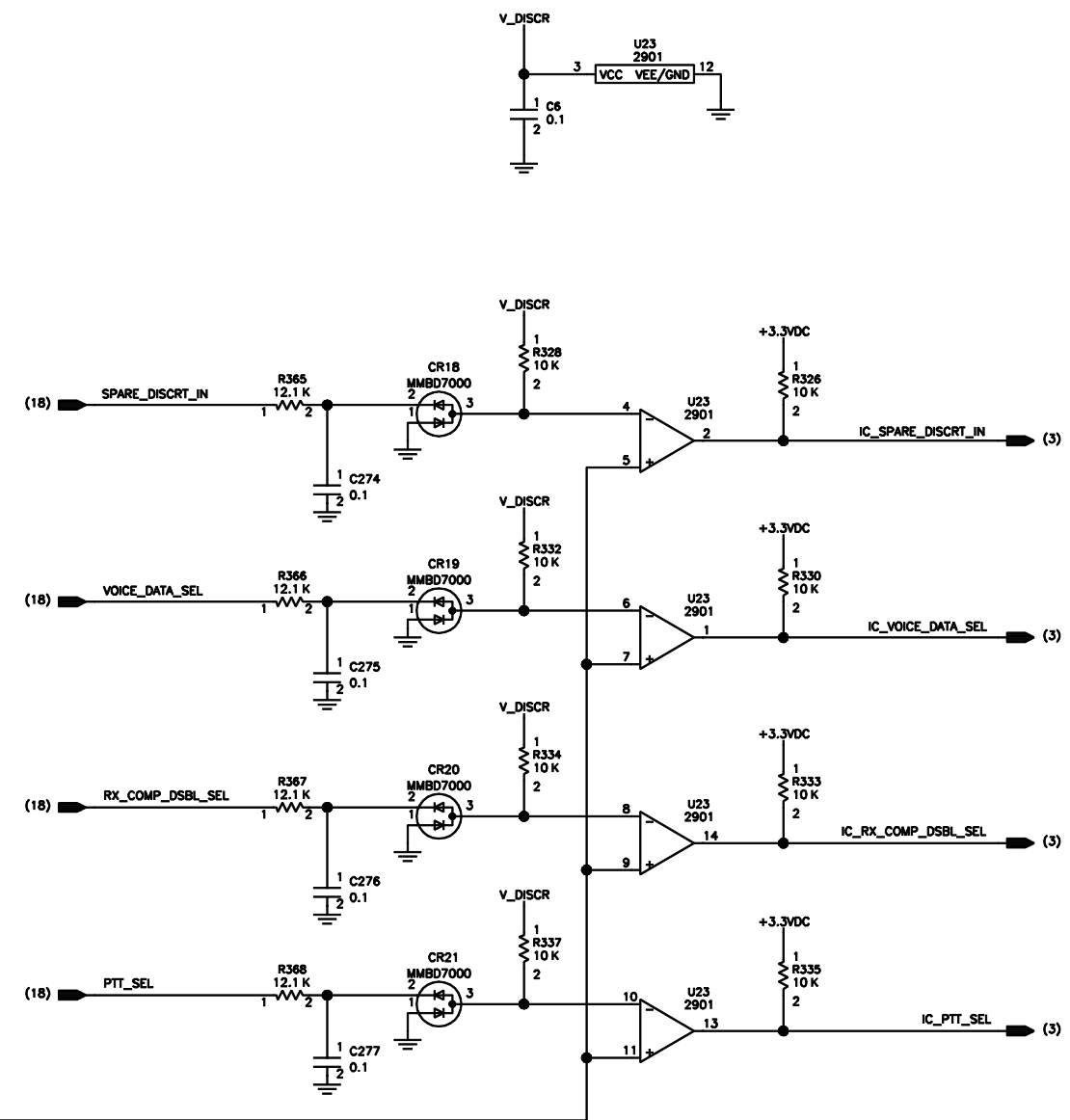
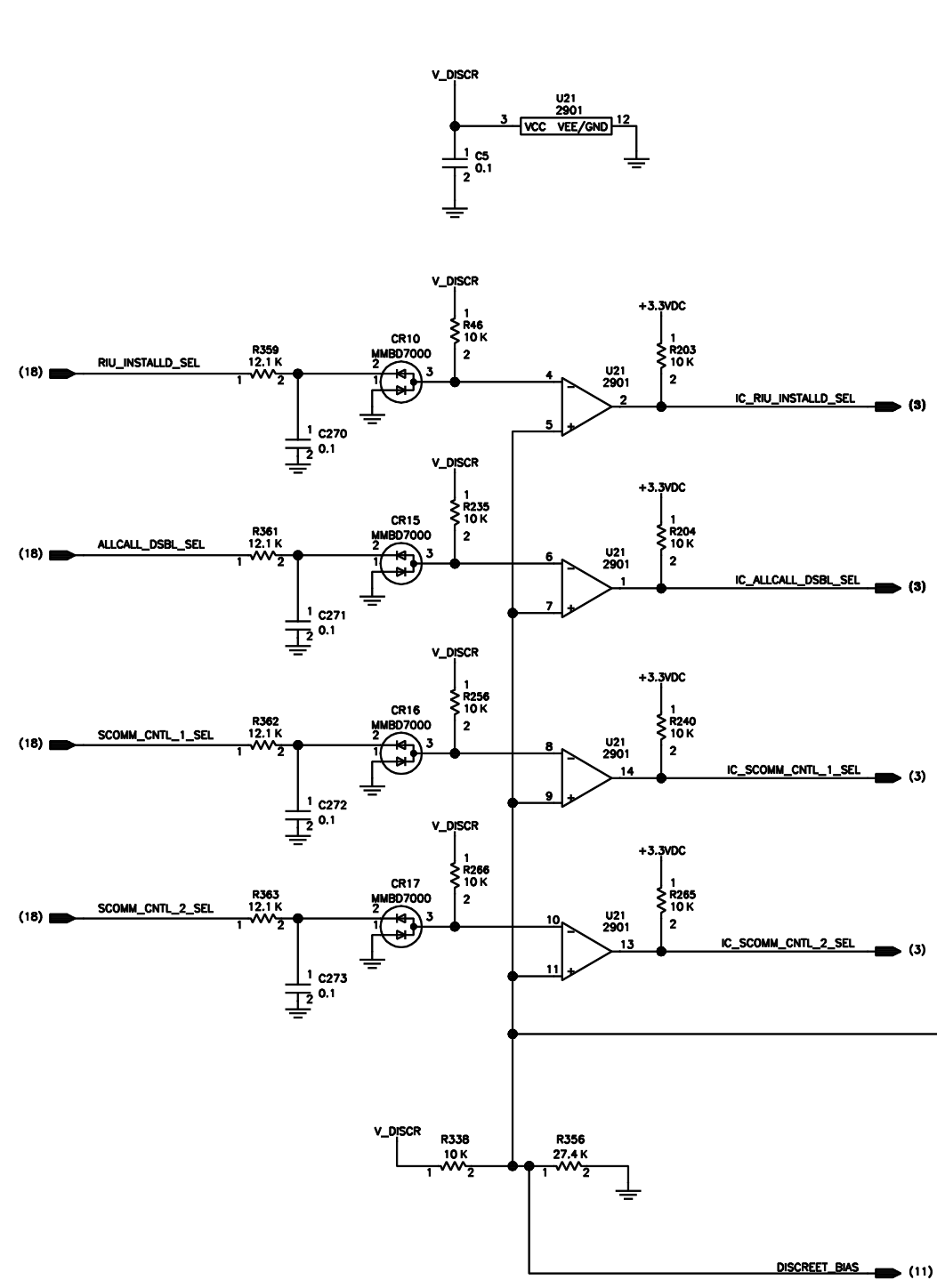
ROCKWELL COLLINS
PROPRIETARY INFORMATION.

Plotted 06/18/01 14:40

DIGITAL DATA ONLY NO MASTER TRACING

design.9

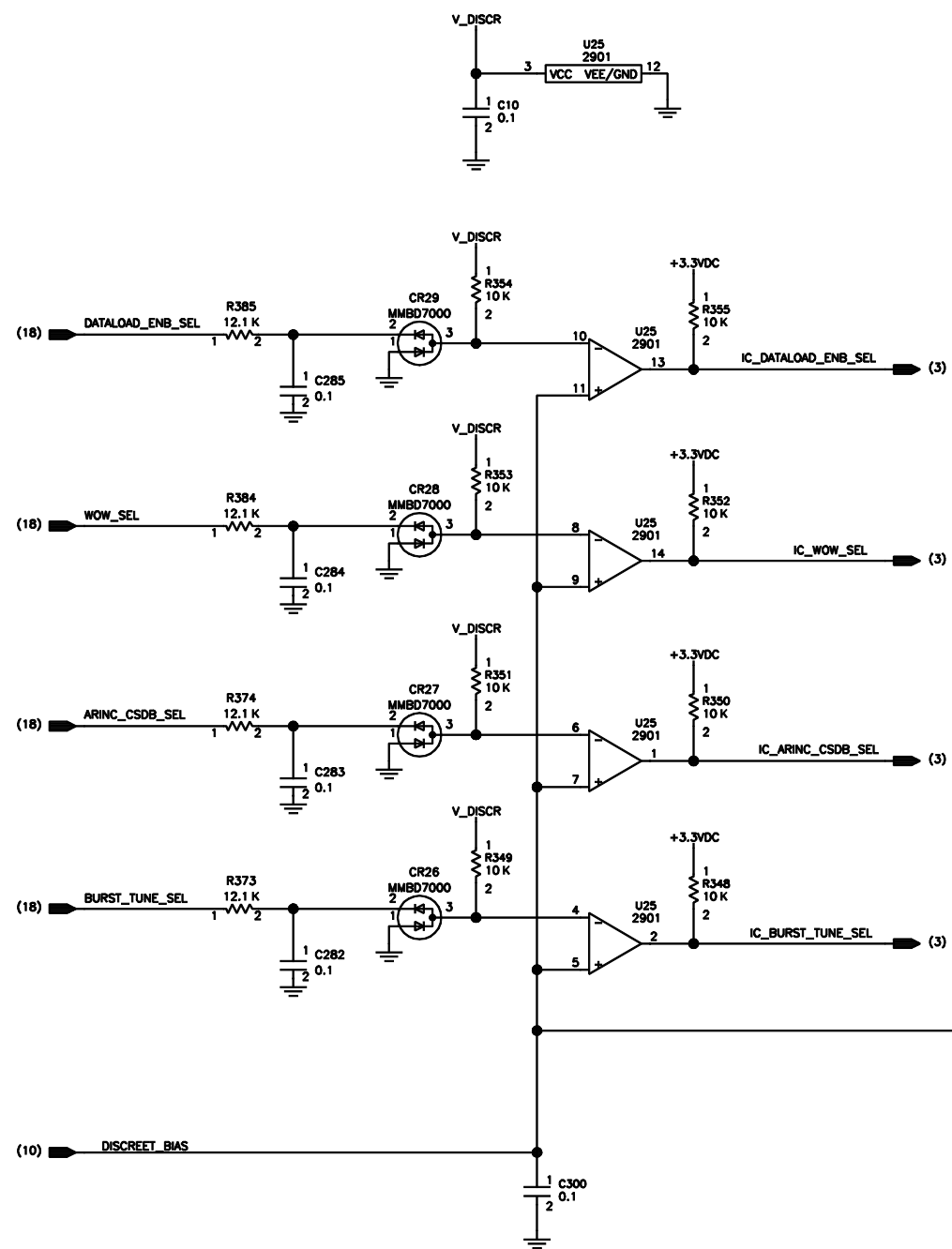
THIS DRAWING CREATED FROM DIGITAL DATA



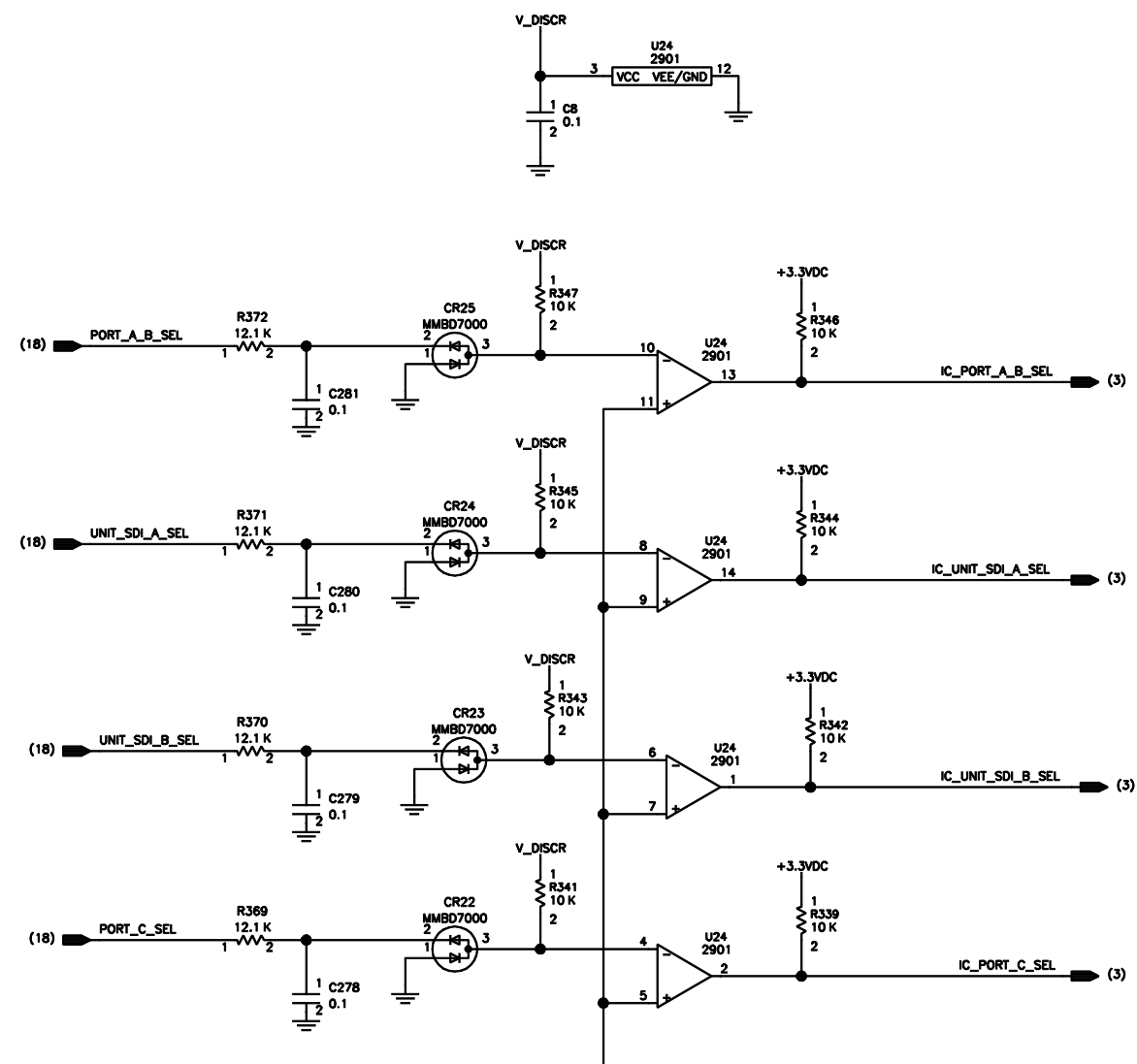
DISCRETE INPUTS

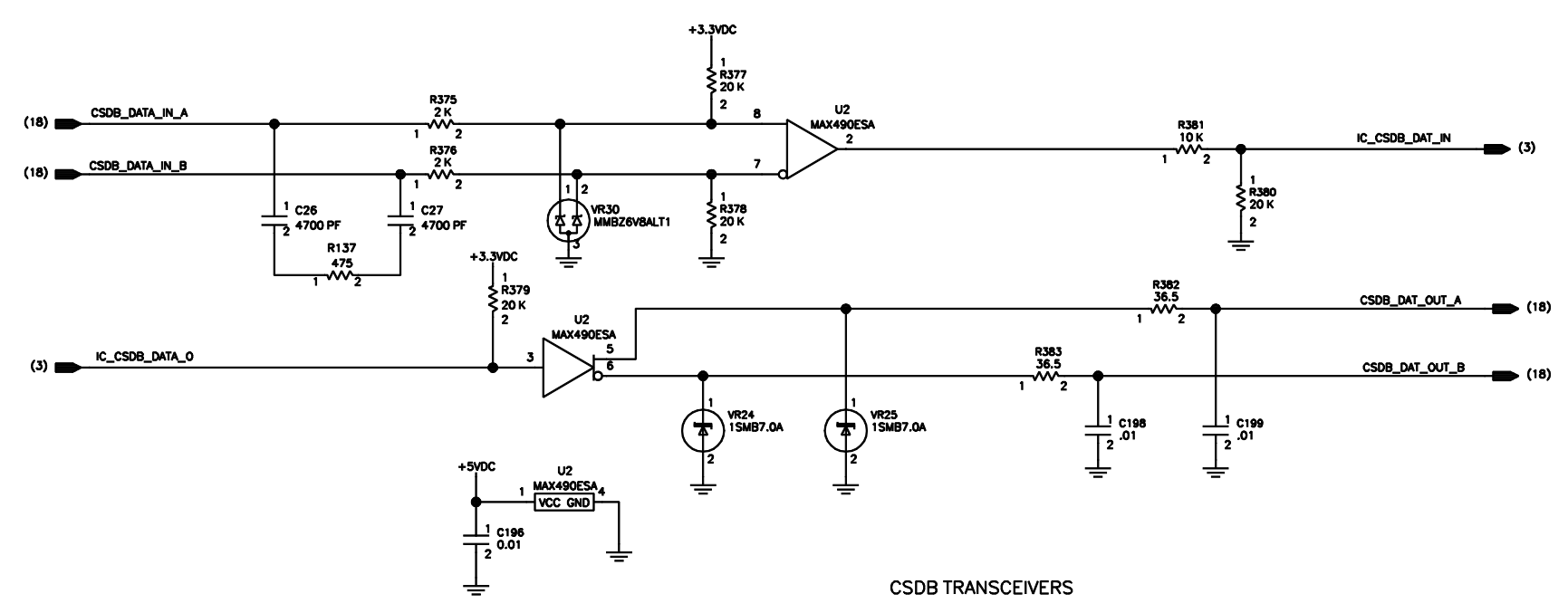
SIZE	CAGE CODE	DWG NO.	REV LTR
D	4V792	828-8587-002	E
SCALE	NONE	SHEET	10

THIS DRAWING IS CREATED FROM DIGITAL DATA

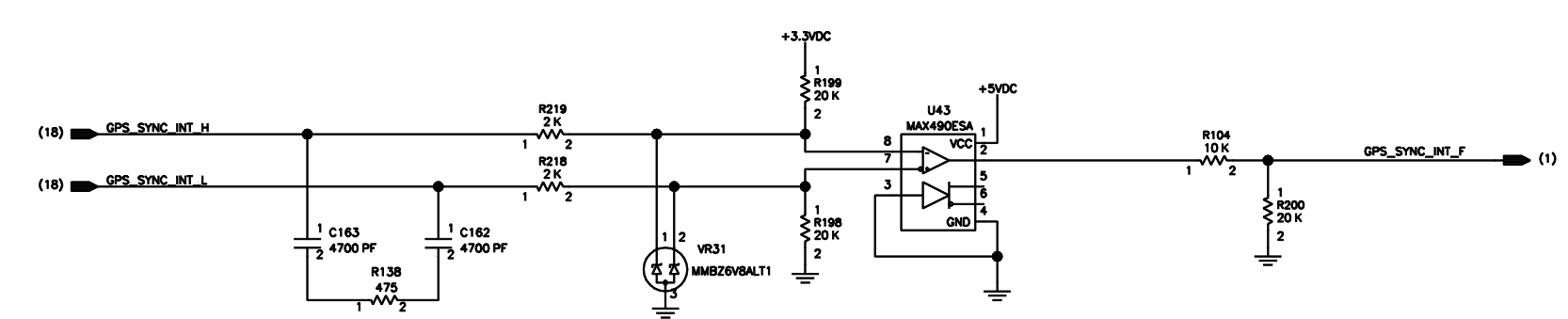


DISCRETE INPUTS





CSDB TRANSCEIVERS

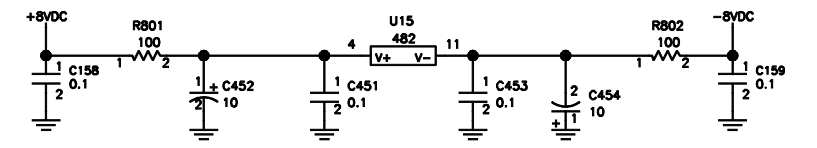
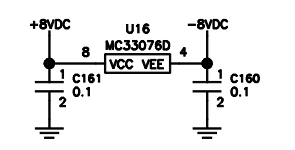
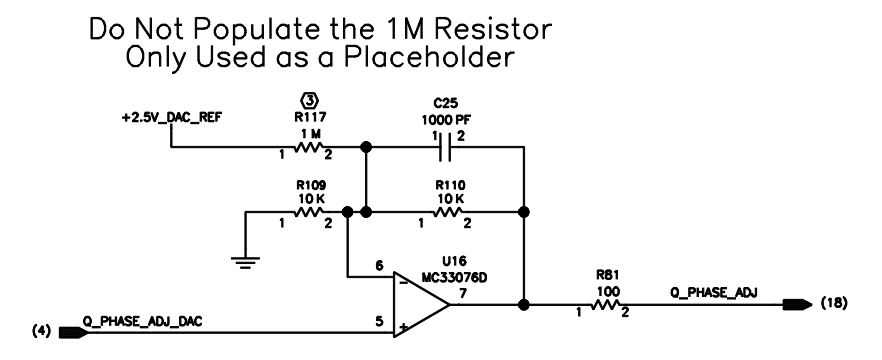
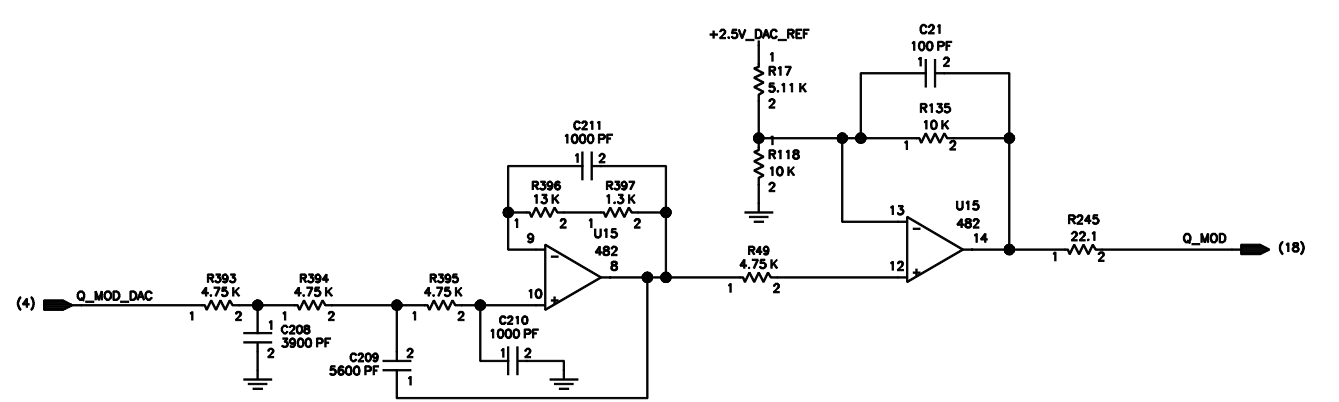
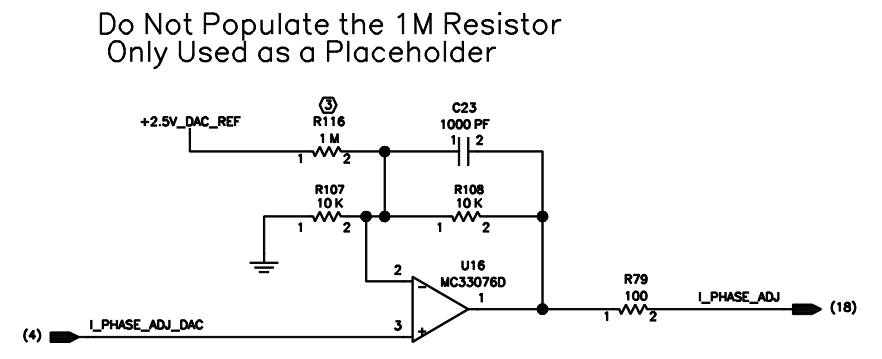
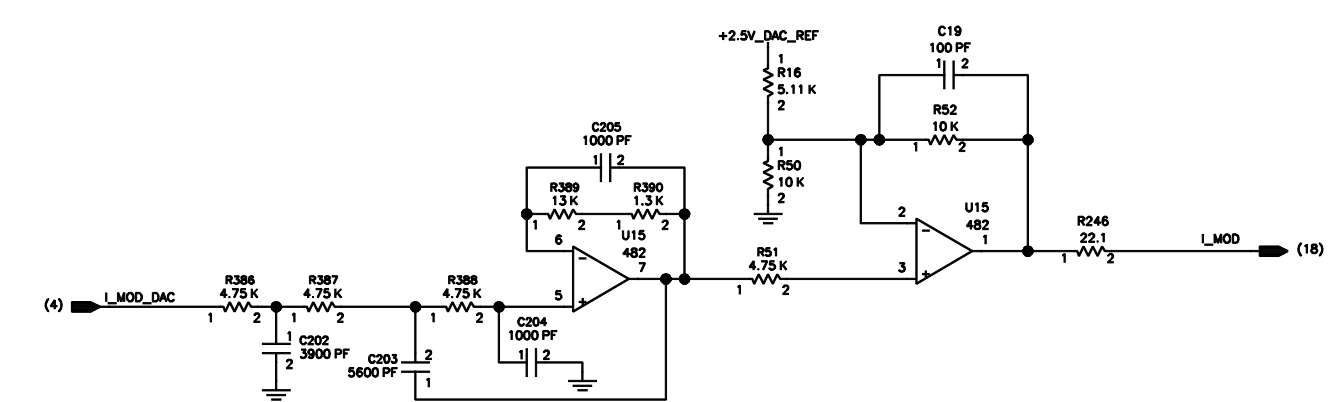


GPS SYNC RECEIVER

THIS DRAWING IS CREATED FROM DIGITAL DATA

SIZE	CAGE CODE	DWG NO.	REV LTR
D	4V792	828-8587-002	E
SCALE	NONE		SHEET 12

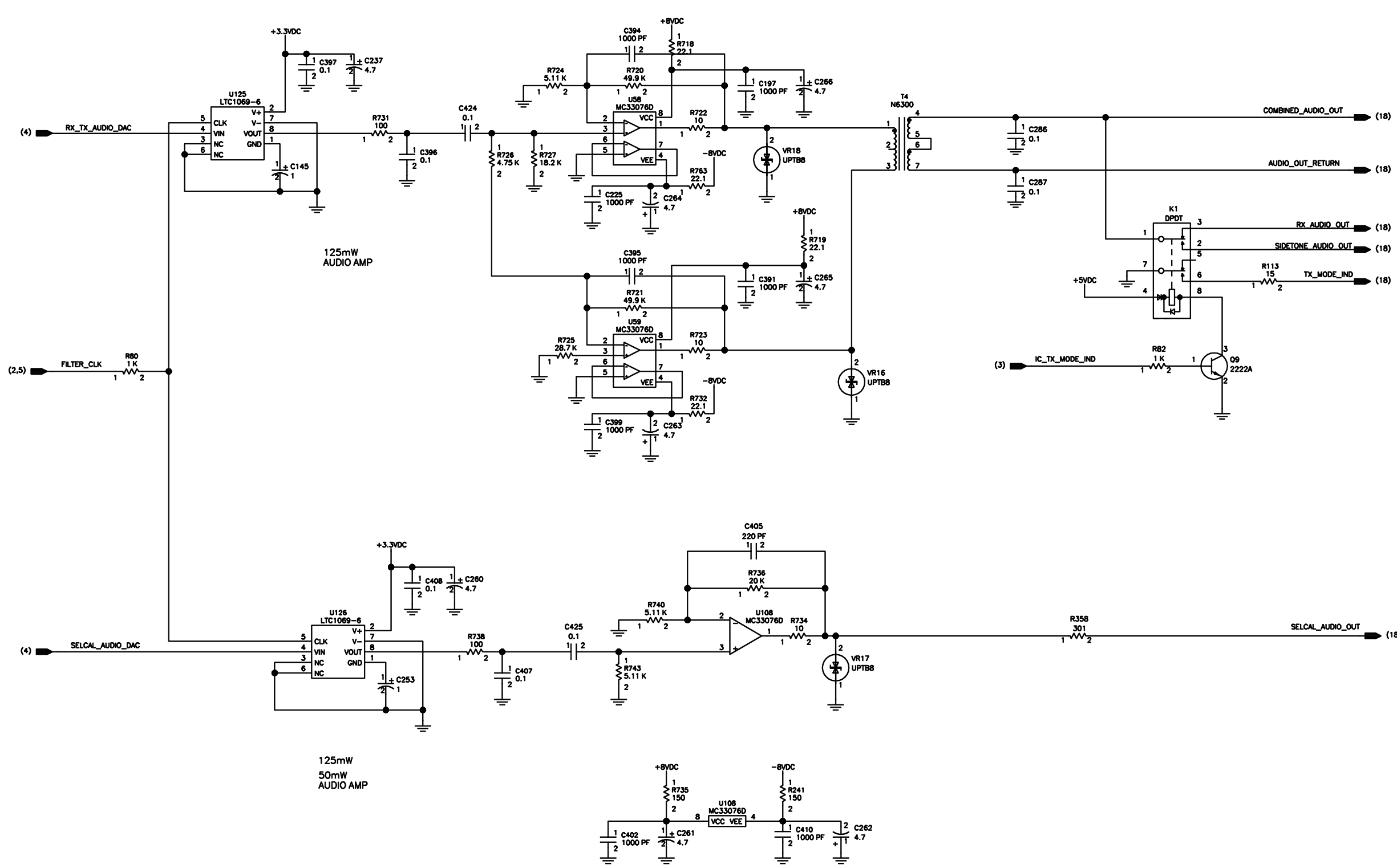
THIS DRAWING CREATED FROM DIGITAL DATA



THIS DRAWING IS CREATED FROM DIGITAL DATA

SIZE	CAGE CODE	DWG NO.	REV LTR
D	4V792	828-8587-002	E
SCALE	NONE		SHEET 13

THIS DRAWING CREATED FROM DIGITAL DATA



125mW
AUDIO AMP

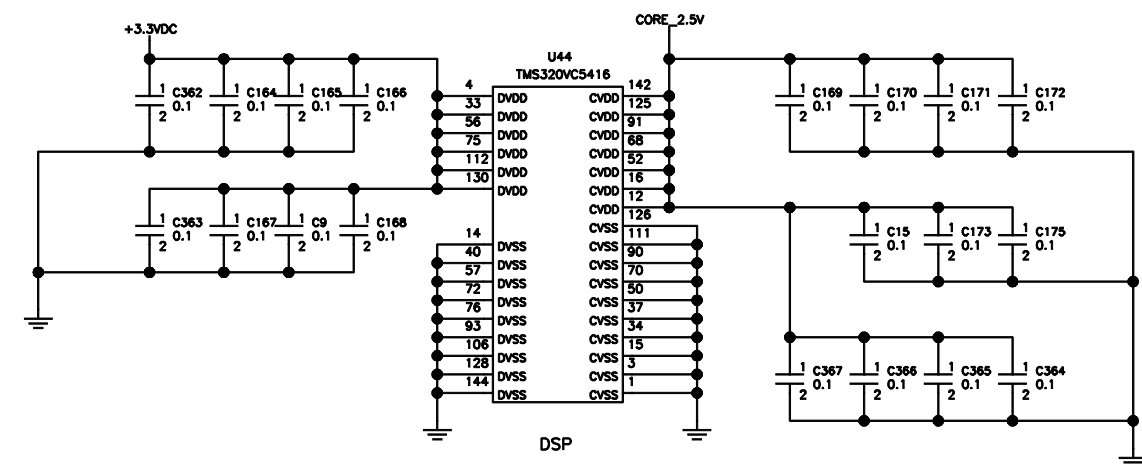
125mW
50mW
AUDIO AMP

THIS DRAWING IS CREATED FROM DIGITAL DATA

SIZE	CAGE CODE	DWG NO.	REV LTR
D	4V792	828-8587-002	E
SCALE	NONE		SHEET 14

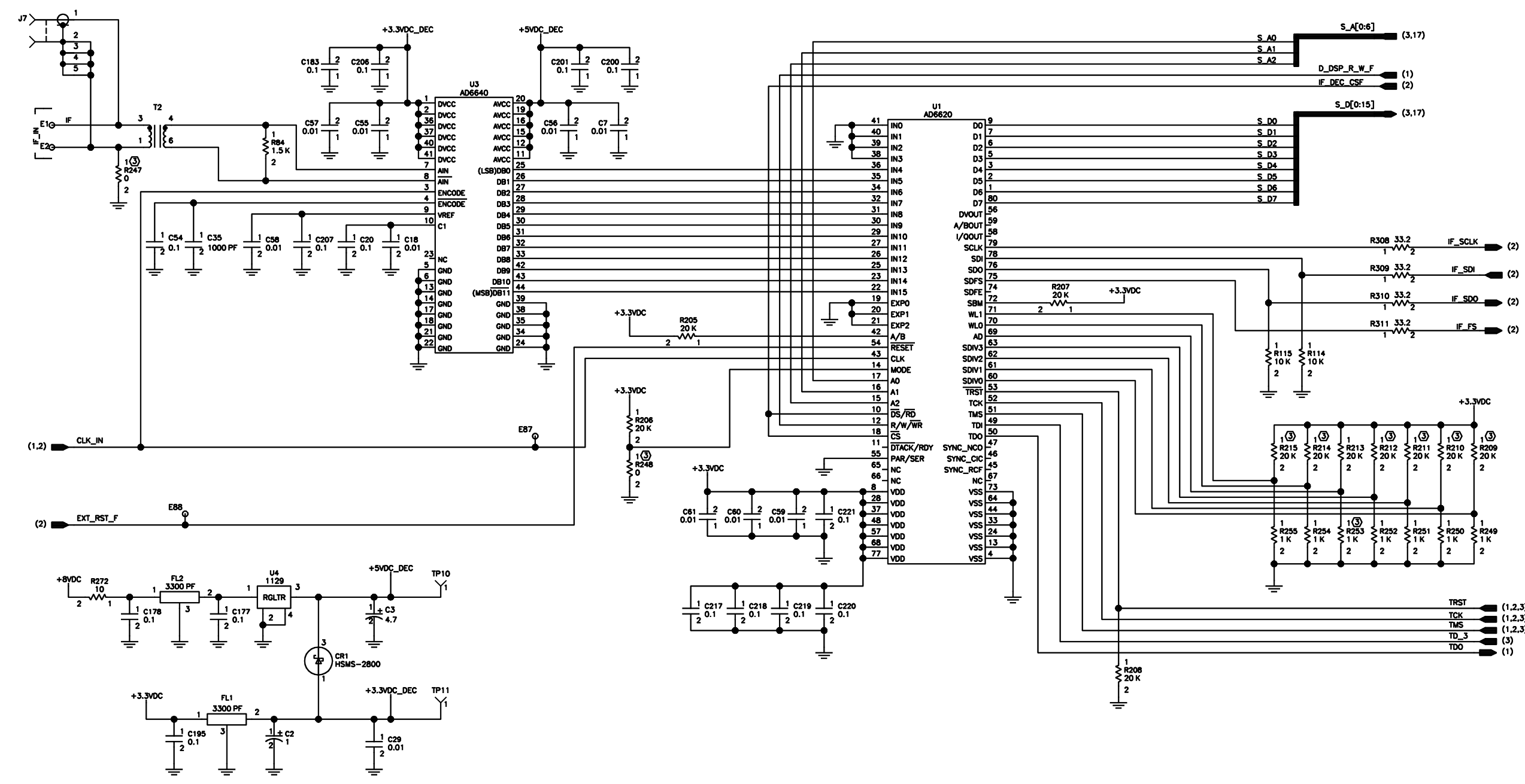
ROCKWELL COLLINS
PROPRIETARY INFORMATION.

THIS DRAWING IS CREATED FROM DIGITAL DATA



THIS DRAWING IS CREATED FROM DIGITAL DATA

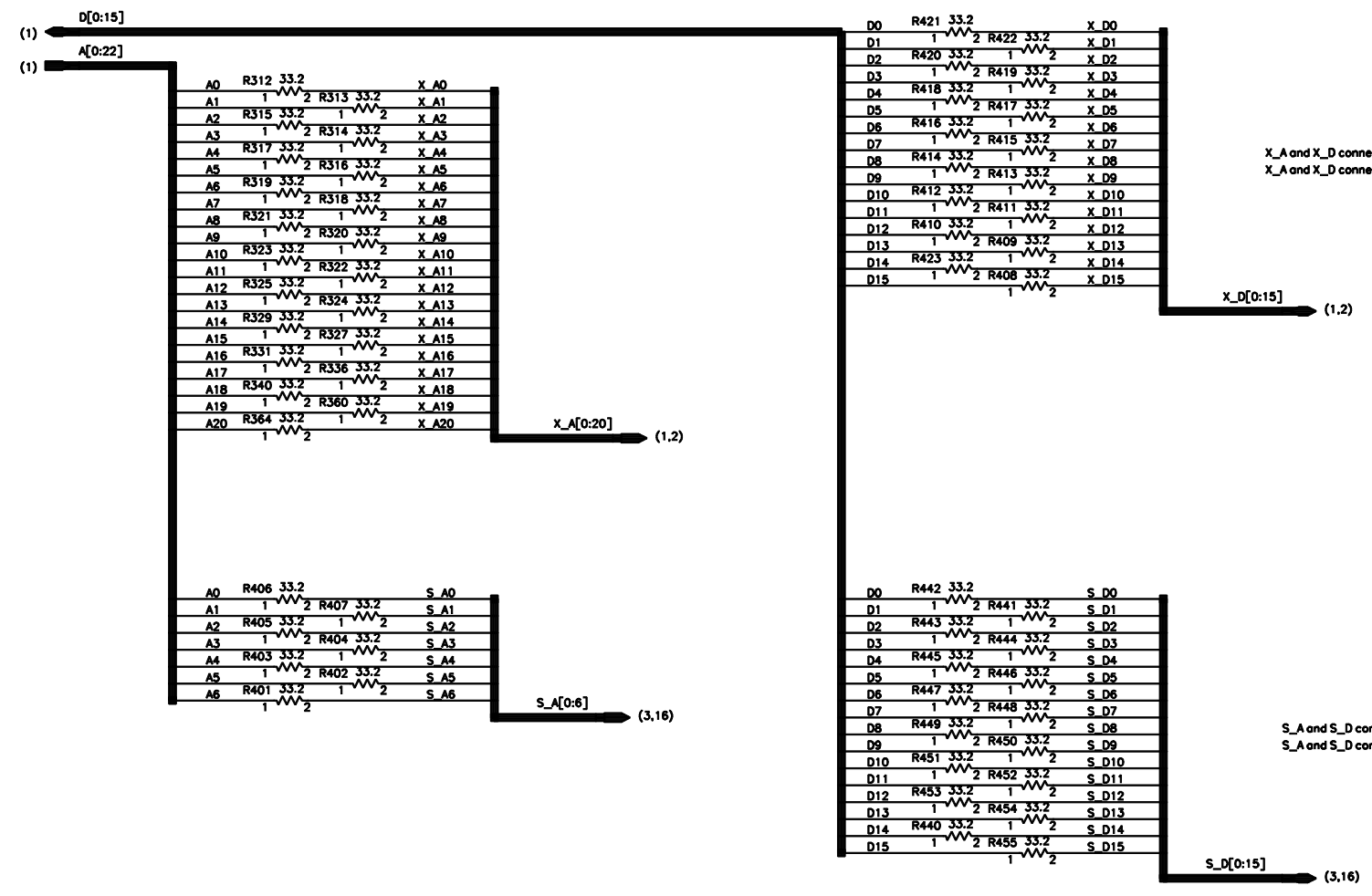
SIZE	CAGE CODE	DWG NO.	REV LTR
D	4V792	828-8587-002	E
SCALE	NONE	SHEET	15



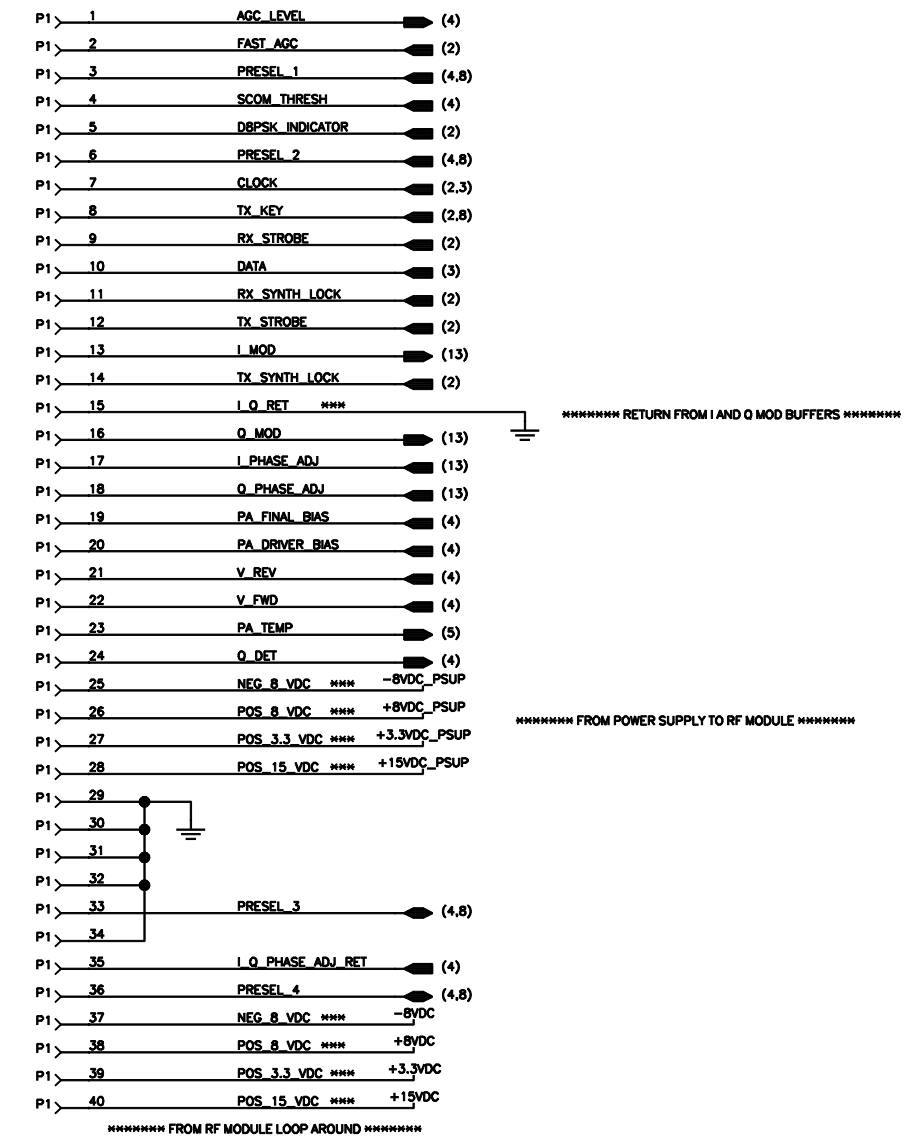
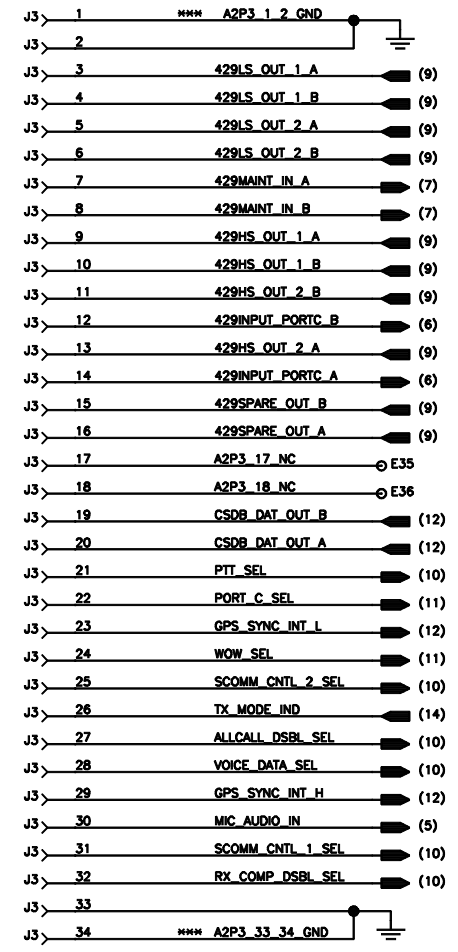
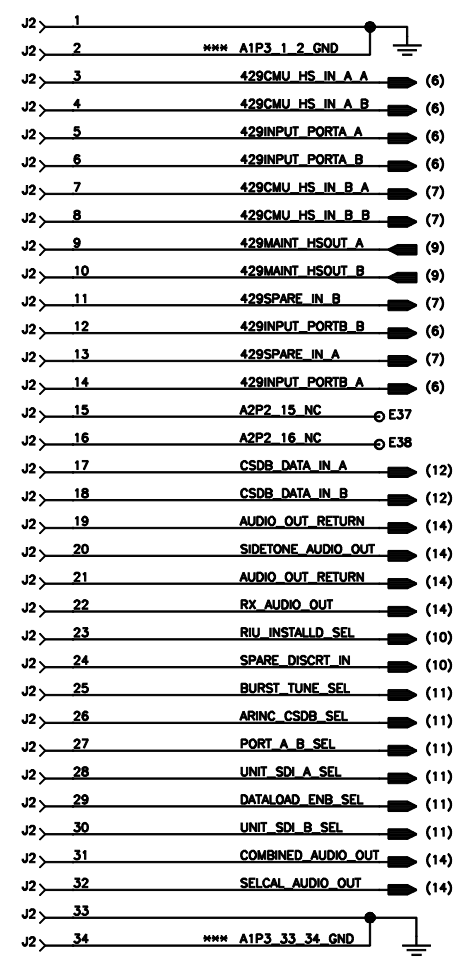
THIS DRAWING IS CREATED FROM DIGITAL DATA

SIZE	CAGE CODE	DWG NO.	REV LTR
D	4V792	828-8587-002	E
SCALE	NONE	SHEET	16

THIS DRAWING CREATED FROM DIGITAL DATA



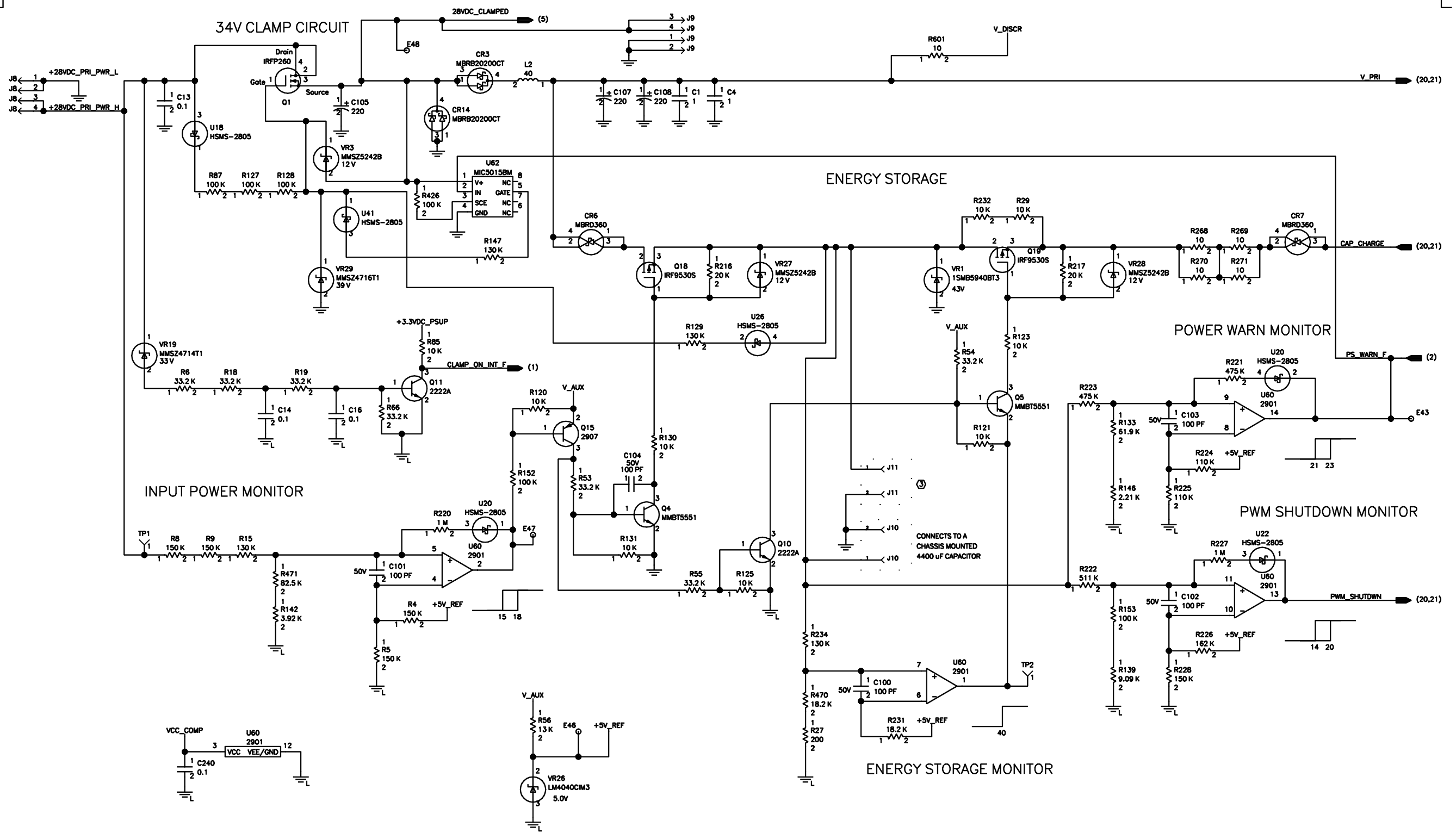
THIS DRAWING IS CREATED FROM DIGITAL DATA



A2P2 & A2P3 BASED ON INTERCONNECT PIN ASSIGNMENTS V1.4

A2P1 BASED ON RF SCHEMATIC PIN INTERCONNECTS

VHF 4000 POWER SUPPLY



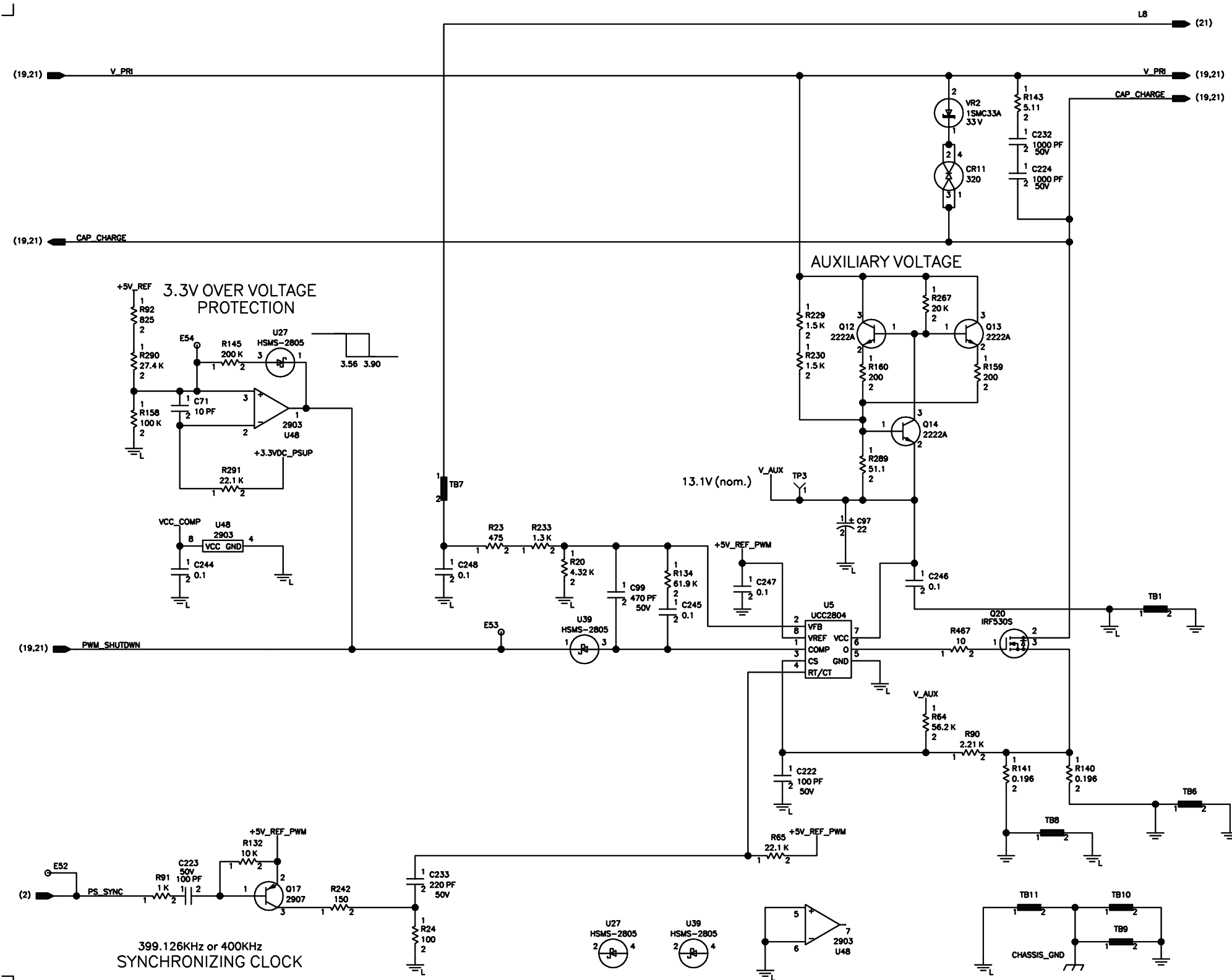
THIS DRAWING IS CREATED FROM DIGITAL DATA

SIZE	CAGE CODE	DWG NO.	REV LTR
D	4V792	828-8587-002	E
SCALE	NONE		SHEET 19

Plotted 06/18/01 14:40

ROCKWELL COLLINS
PROPRIETARY INFORMATION.

THIS DRAWING IS CREATED FROM DIGITAL DATA



3.3V OVER VOLTAGE PROTECTION

AUXILIARY VOLTAGE

399.126KHz or 400KHz SYNCHRONIZING CLOCK

TP8
PLACE ON EDGE OF PCB FOR EASY ACCESS

THIS DRAWING IS CREATED FROM DIGITAL DATA

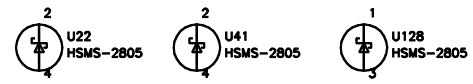
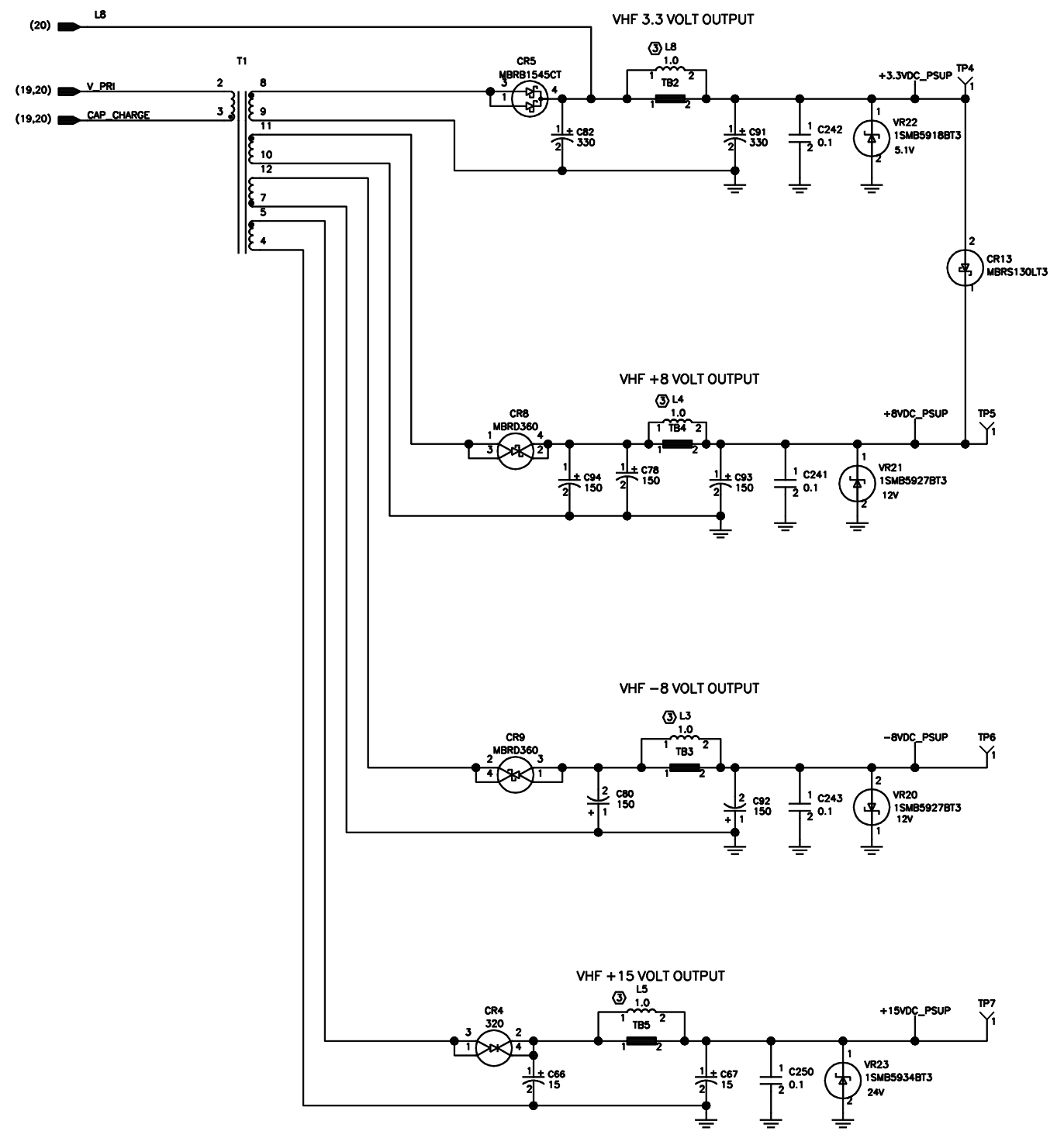
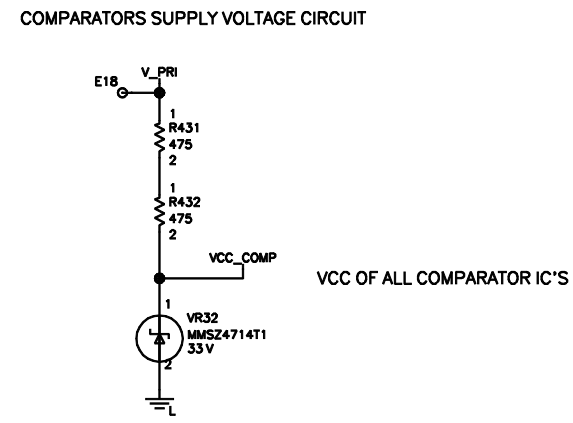
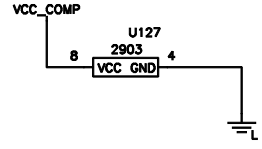
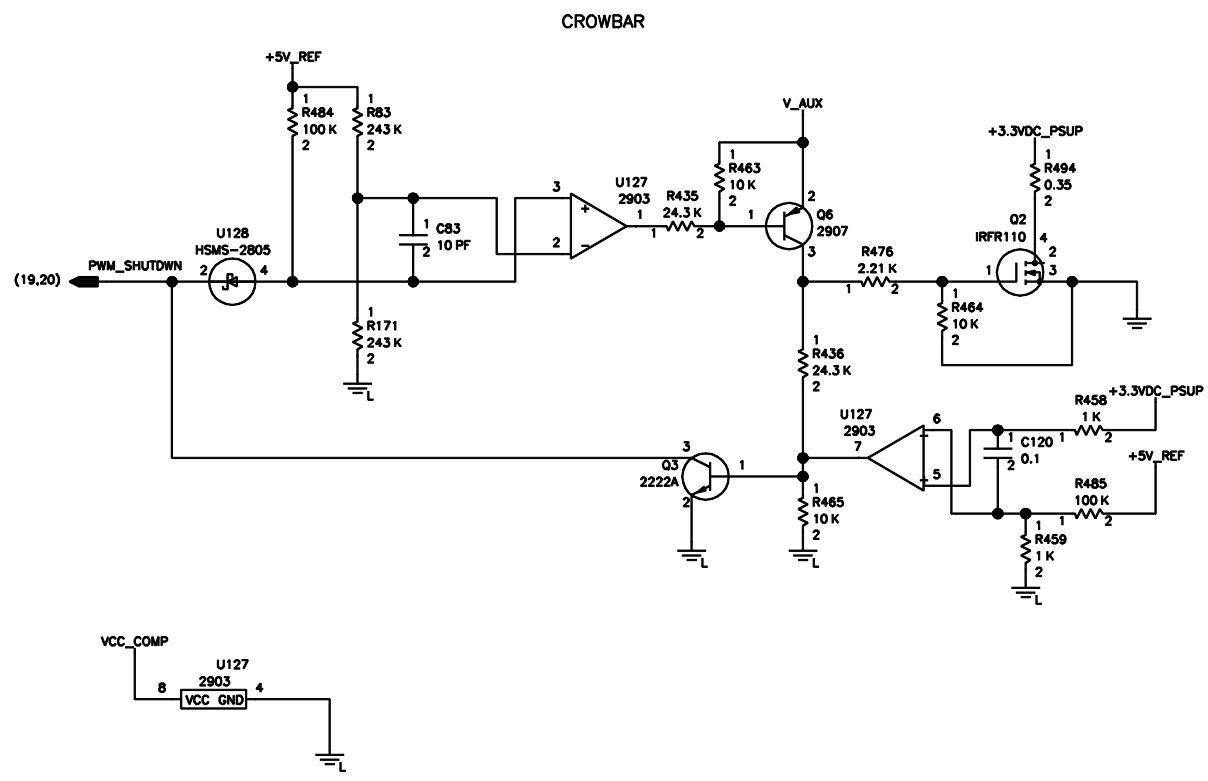
SIZE	CAGE CODE	DWG NO.	REV LTR
D	4V792	828-8587-002	E
SCALE	NONE		SHEET 20

Plotted 06/18/01 14:40

design.20

ROCKWELL COLLINS
PROPRIETARY INFORMATION.

THIS DRAWING CREATED FROM DIGITAL DATA



THIS DRAWING IS CREATED FROM DIGITAL DATA

SIZE	CAGE CODE	DWG NO.	REV LTR
D	4V792	828-8587-002	E
SCALE	NONE	SHEET	21

THIS DRAWING IS CREATED FROM DIGITAL DATA