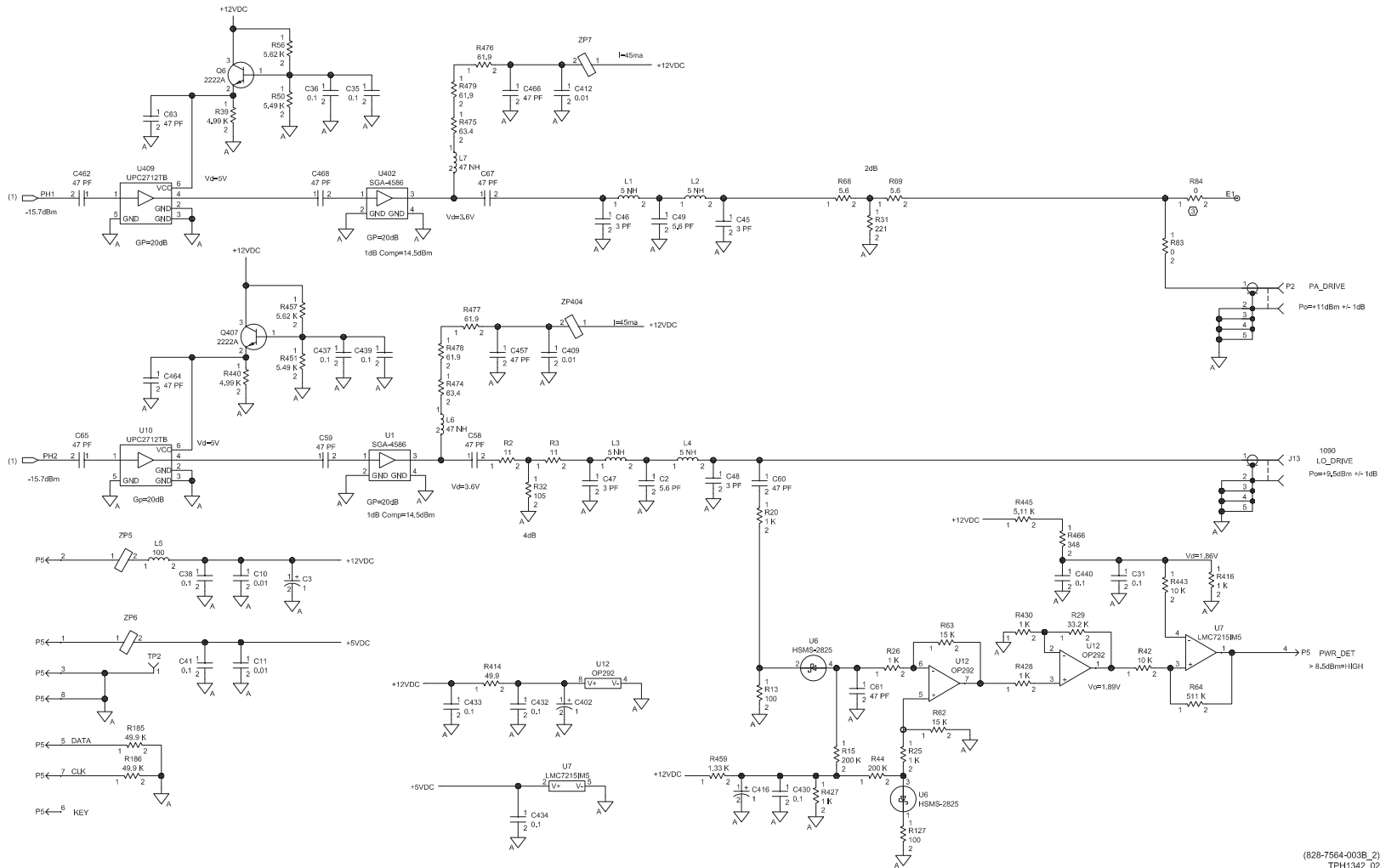


ROCKWELL COLLINS
COMPONENT MAINTENANCE MANUAL with IPL
TDR-94, PART NO 622-9352



Synthesizer Circuit Card A4 (CPN 687-0724-003), Schematic Diagram
 Figure 2016 (Sheet 2 of 2)/GRAPHIC 34-50-96-99B-051-A01

(828-7564-003B_2)
 TPH1342_02

ROCKWELL COLLINS
COMPONENT MAINTENANCE MANUAL with IPL
TDR-94, PART NO 622-9352

MAINTENANCE AID/SCHEMATIC CHANGES

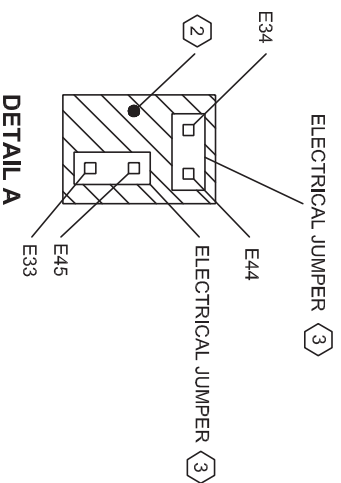
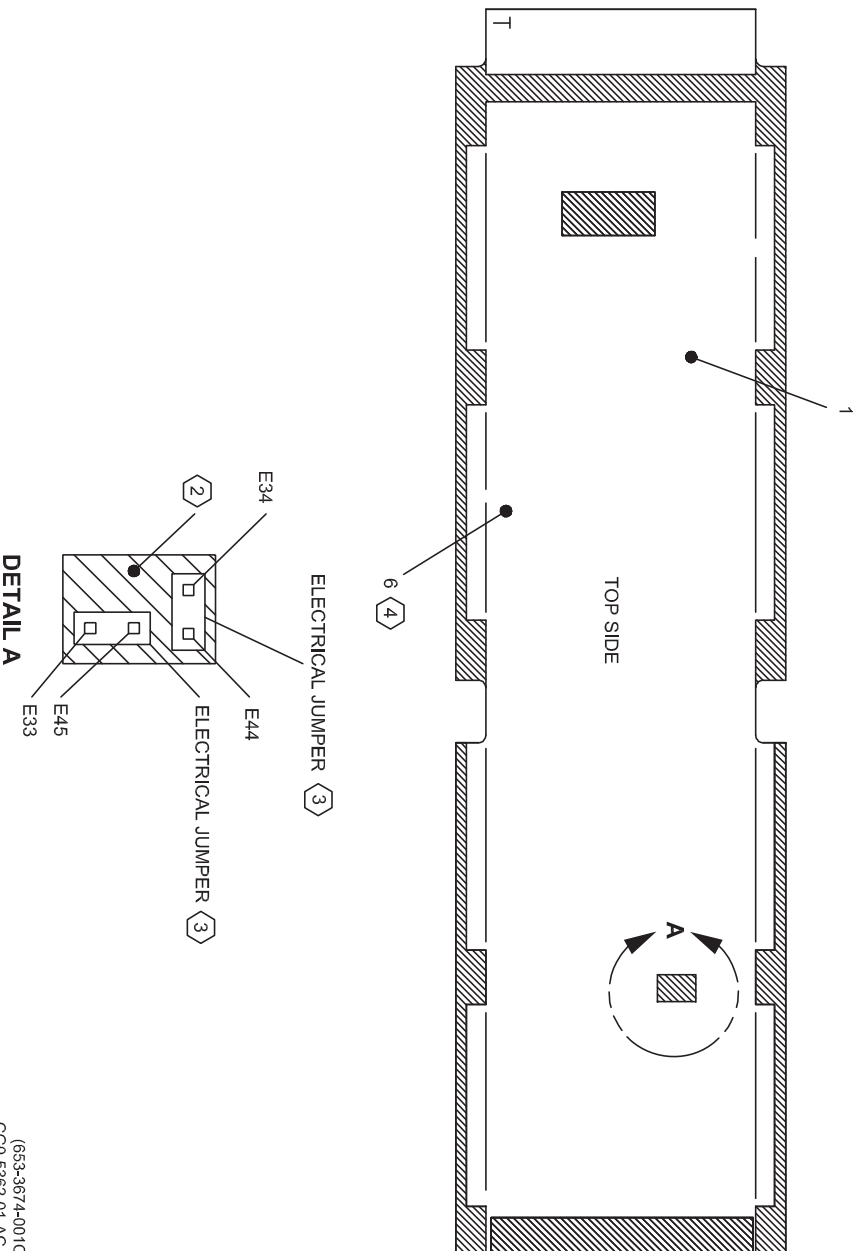
REVISION IDENT (SHEET)	DESCRIPTION OF REVISION AND CAUSE FOR CHANGE	SERVICE BULLETIN	EFFECTIVITY MARKING
N/A	<p><u>NOTE:</u> Unless otherwise specified, all effectivity markings (REV A, REV B, etc.) in this figure, are for CPU-I/O Circuit Card A5A1 (CPN 828-2700-002).</p> <p>Released to production.</p>		REV A
N/A	Production process change.		REV B
N/A	Corrected part numbers for U21, U22, U32, and U33.		REV C
N/A	Deleted Y contacts from J4-13 and J4-14 to correct a top channel temperature problem.		REV D
N/A	Added altered item drawing (AID) numbers for U13 and U16.		REV E
N/A	Changed part number of electrical contact (symbol W). New contacts improve the production process; old contacts would not stay in place for soldering process.		REV F
N/A	Changed U20 to type 80C196KC; old type 80C196 was no longer procurable.		REV G
N/A	Added CPU-I/O Programmed Assembly A5 (CPN 653-3674-003 and -004).	13	Effectivity is marked on TDR-94/94D top level assembly.
H (6)	EEPROMs U24 and U25, 2816, are no longer procurable and are replaced by 28HC256 devices.		REV H
J (6)	Grounded unused address inputs of U24 and U25 EEPROMS, to prevent NOVRAM failure.		REV J
K (9)	Replaced ASIC U12, 8005-4062 with 31015. The 8005-4062 device is no longer procurable.		REV K
N/A	Replaced U13 EEPROM 831-4505-001 with 831-4505-002. This software change incorporates elementary/enhanced surveillance.	501	REV L
M (8)	Added 10K Ω resistor R15 to U16-6.		REV M

CPU-I/O Programmed Assembly A5 (CPN 653-3674-001 thru -018) and CPU-I/O Circuit Card A5A1 (CPN 828-2700-002), Maintenance Aid and Schematic Changes
Table 2011/ Table 34-50-96-99A-022-A01

**ROCKWELL COLLINS
COMPONENT MAINTENANCE MANUAL with IPL**
TDR-94, PART NO 622-9352

NOTES:

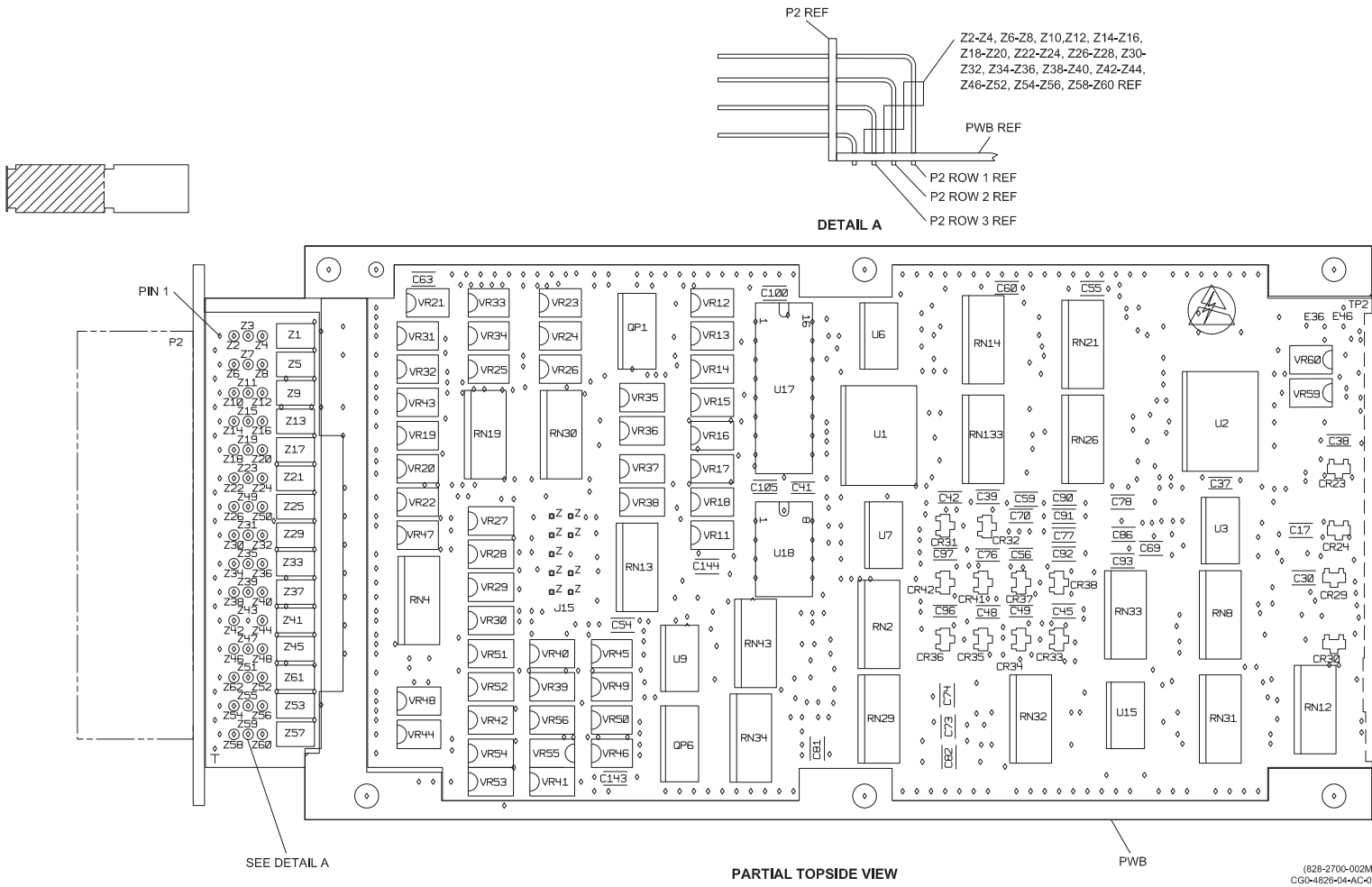
1. CAUTION: THIS ASSY CONTAINS ELECTROSTATIC SENSITIVE DEVICES.
2. SHADED AREAS ON TOP AND BOTTOM SIDES TO BE FREE OF POSTCOAT.
3. INSTALL ITEM 5 ONTO ITEM 1 AT E34, E44 AND E35, E45 AS SHOWN AFTER PROGRAMMING.
4. LOCATE ITEM 6 APPROX AS SHOWN.



(653-3674-001C)
CG0-5362-01-AC-1

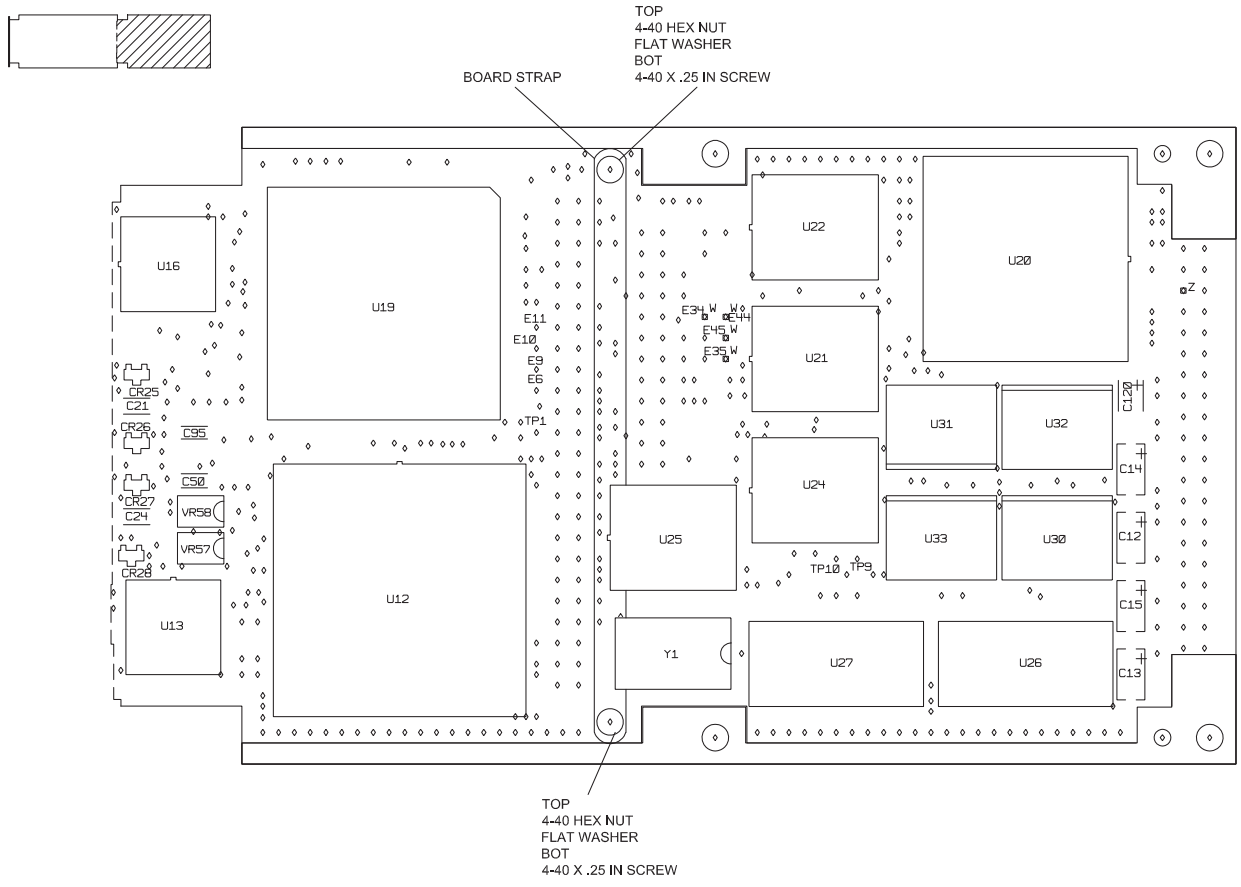
CPU-I/O Programmed Assembly A5 (CPN 653-3674-001 thru -018), Maintenance Aid Diagram
Figure 2017/GRAPHIC 34-50-96-99B-052-A01

ROCKWELL COLLINS
COMPONENT MAINTENANCE MANUAL with IPL
 TDR-94, PART NO 622-9352



CPU-I/O Circuit Card A5A1 (CPN 828-2700-002), Maintenance Aid Diagram
 Figure 2018 (Sheet 1 of 4)/GRAPHIC 34-50-96-99B-053-A01

ROCKWELL COLLINS
 COMPONENT MAINTENANCE MANUAL with IPL
 TDR-94, PART NO 622-9352

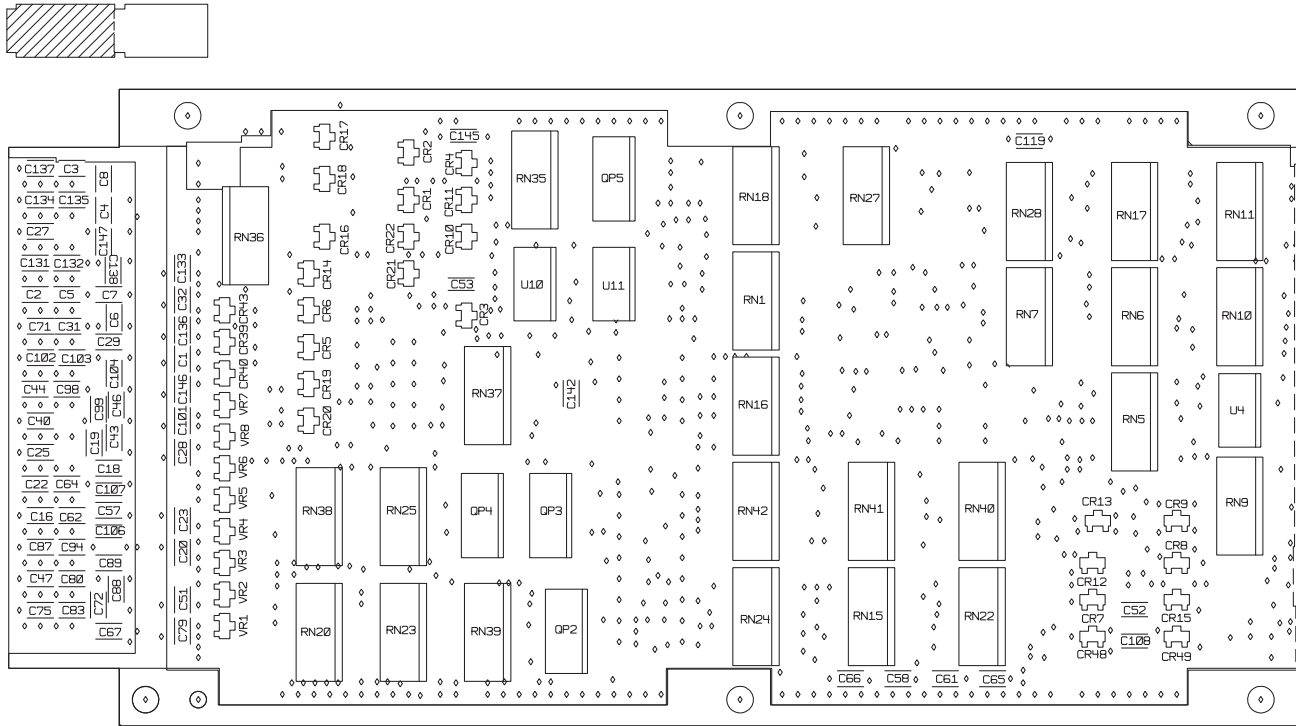


PARTIAL TOPSIDE VIEW

(828-2700-002M)
 CGO-4826-04-AC-02

CPU-I/O Circuit Card A5A1 (CPN 828-2700-002), Maintenance Aid Diagram
 Figure 2018 (Sheet 2 of 4)/GRAPHIC 34-50-96-99B-053-A01

ROCKWELL COLLINS
 COMPONENT MAINTENANCE MANUAL with IPL
 TDR-94, PART NO 622-9352

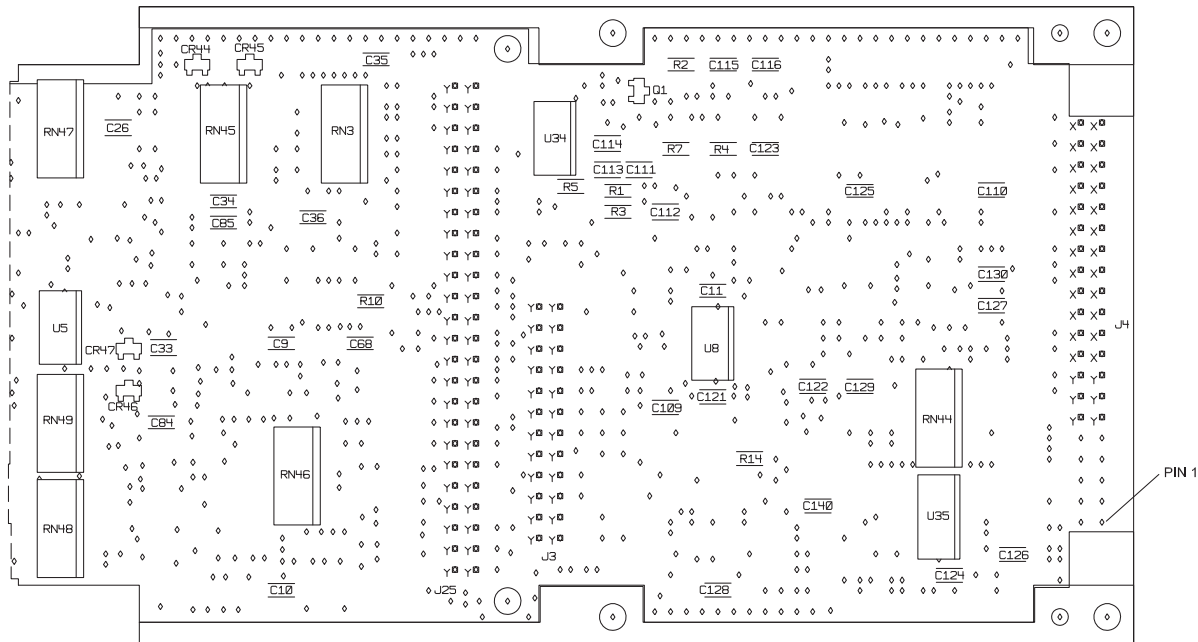
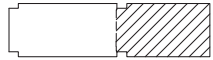


PARTIAL BACKSIDE VIEW

(828-2700-002M)
 CGO-4826-04-AC-03

CPU-I/O Circuit Card A5A1 (CPN 828-2700-002), Maintenance Aid Diagram
 Figure 2018 (Sheet 3 of 4)/GRAPHIC 34-50-96-99B-053-A01

ROCKWELL COLLINS
 COMPONENT MAINTENANCE MANUAL with IPL
 TDR-94, PART NO 622-9352

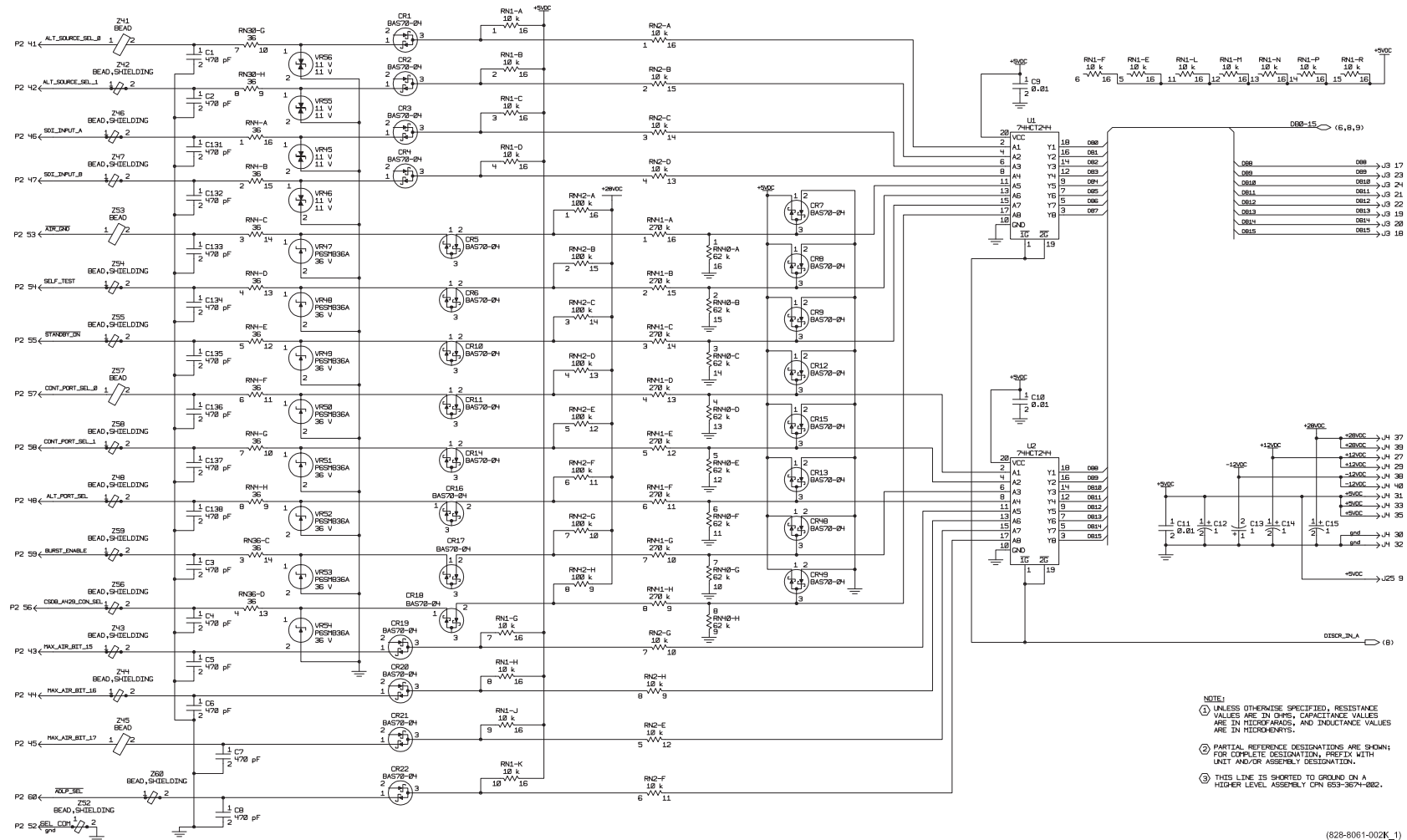


PARTIAL BACKSIDE VIEW

(828-2700-002M)
 CG0-4826-04-AC-04

CPU-I/O Circuit Card A5A1 (CPN 828-2700-002), Maintenance Aid Diagram
 Figure 2018 (Sheet 4 of 4)/GRAPHIC 34-50-96-99B-053-A01

ROCKWELL COLLINS
COMPONENT MAINTENANCE MANUAL with IPL
TDR-94, PART NO 622-9352



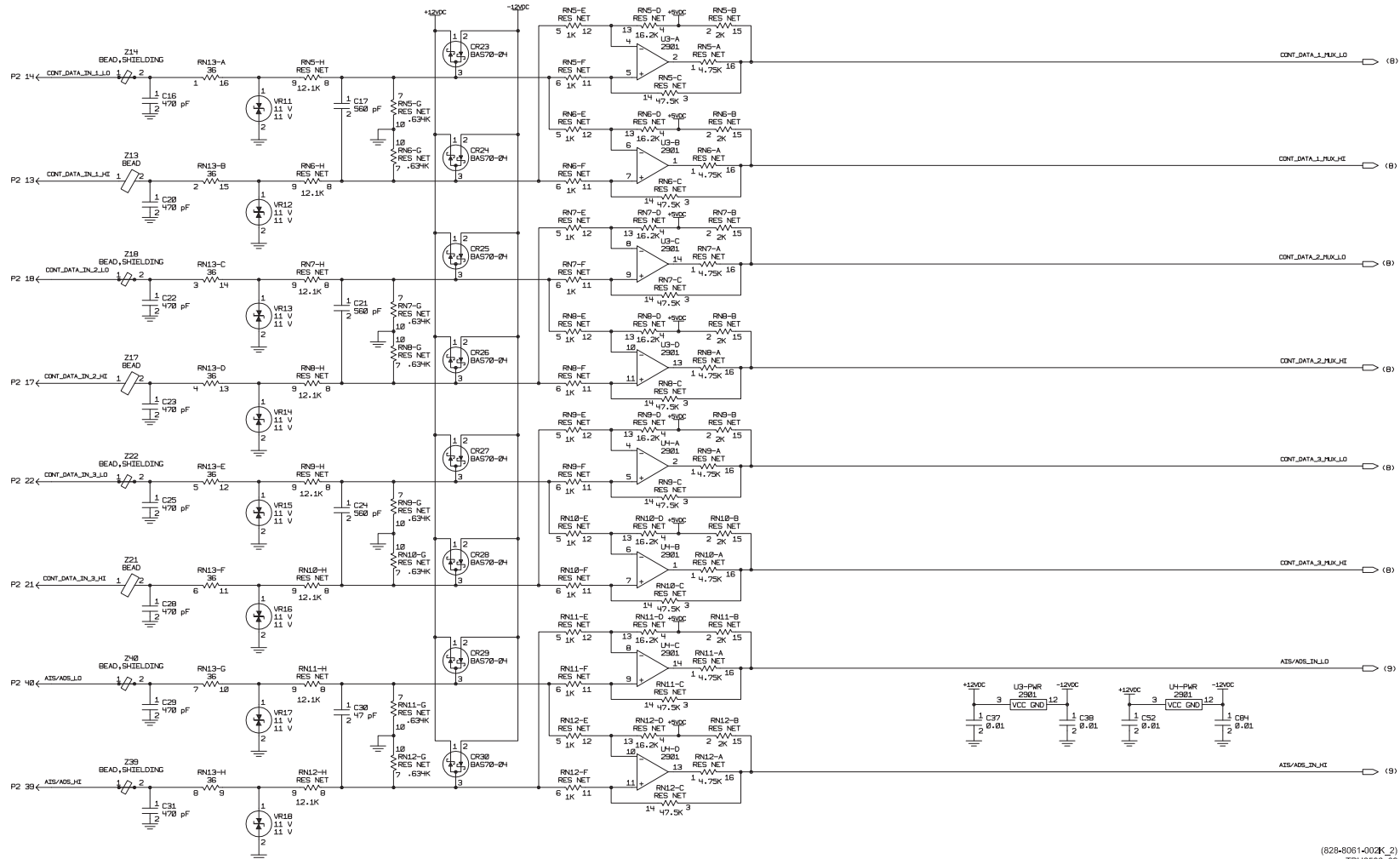
(828-8061-002K_1)
 TPH6586_01

CPU-I/O Programmed Assembly A5 (CPN 653-3674-001 thru -018) and CPU-I/O Circuit Card A5A1 (CPN 828-2700-002), Schematic Diagram
 Figure 2019 (Sheet 1 of 9)/GRAPHIC 34-50-96-99B-054-A01

34-50-96

Page 2101/2102
 May 18/06

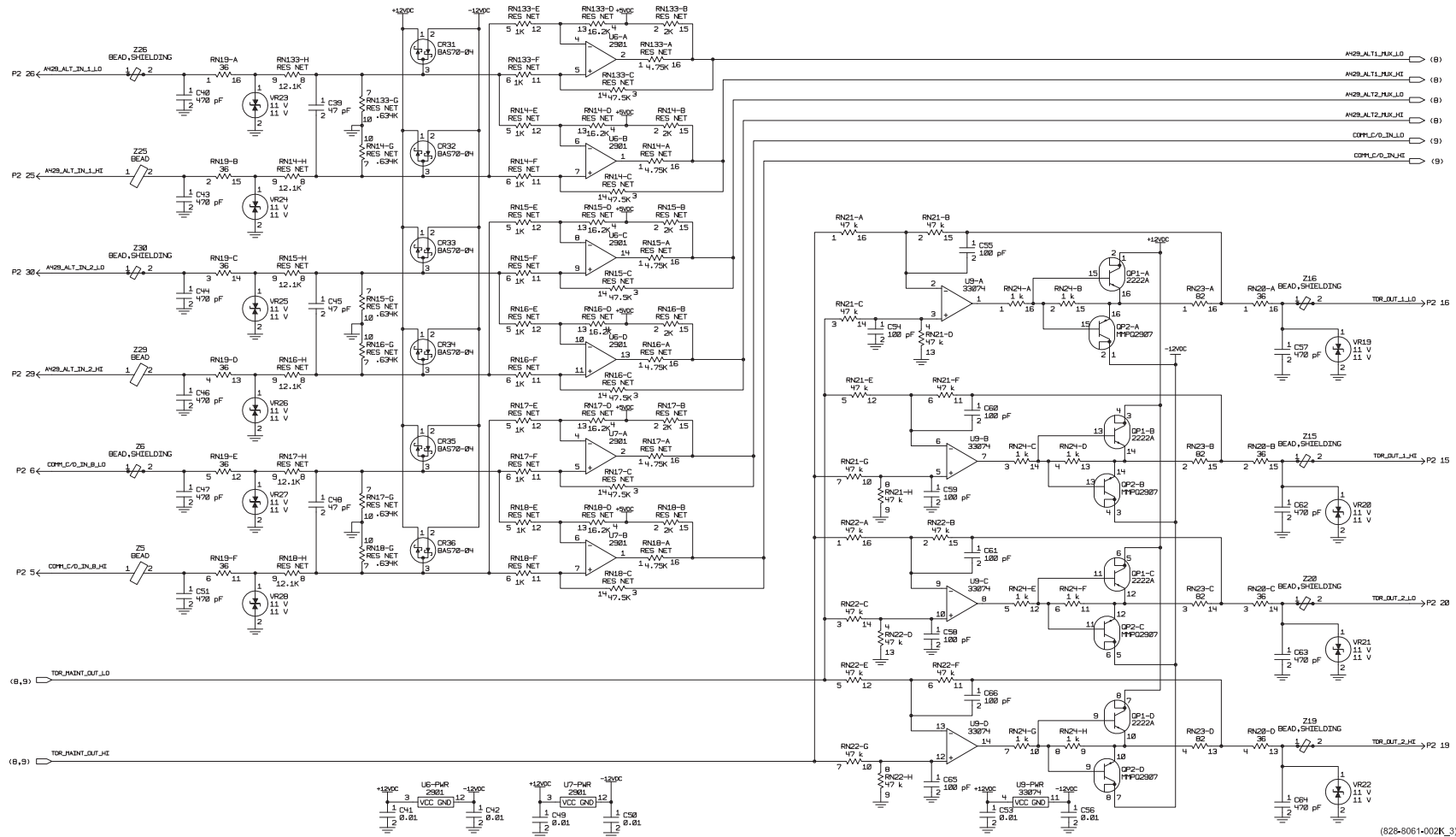
ROCKWELL COLLINS
COMPONENT MAINTENANCE MANUAL with IPL
TDR-94, PART NO 622-9352



(828-8061-001K_2)
 TPH6586_02

CPU I/O Programmed Assembly A5 (CPN 653-3674-001 thru -018) and CPU I/O Circuit
 Card A5A1 (CPN 828-2700-002), Schematic Diagram
 Figure 2019 (Sheet 2 of 9)/GRAPHIC 34-50-96-99B-054-A01

ROCKWELL COLLINS
 COMPONENT MAINTENANCE MANUAL with IPL
 TDR-94, PART NO 622-9352



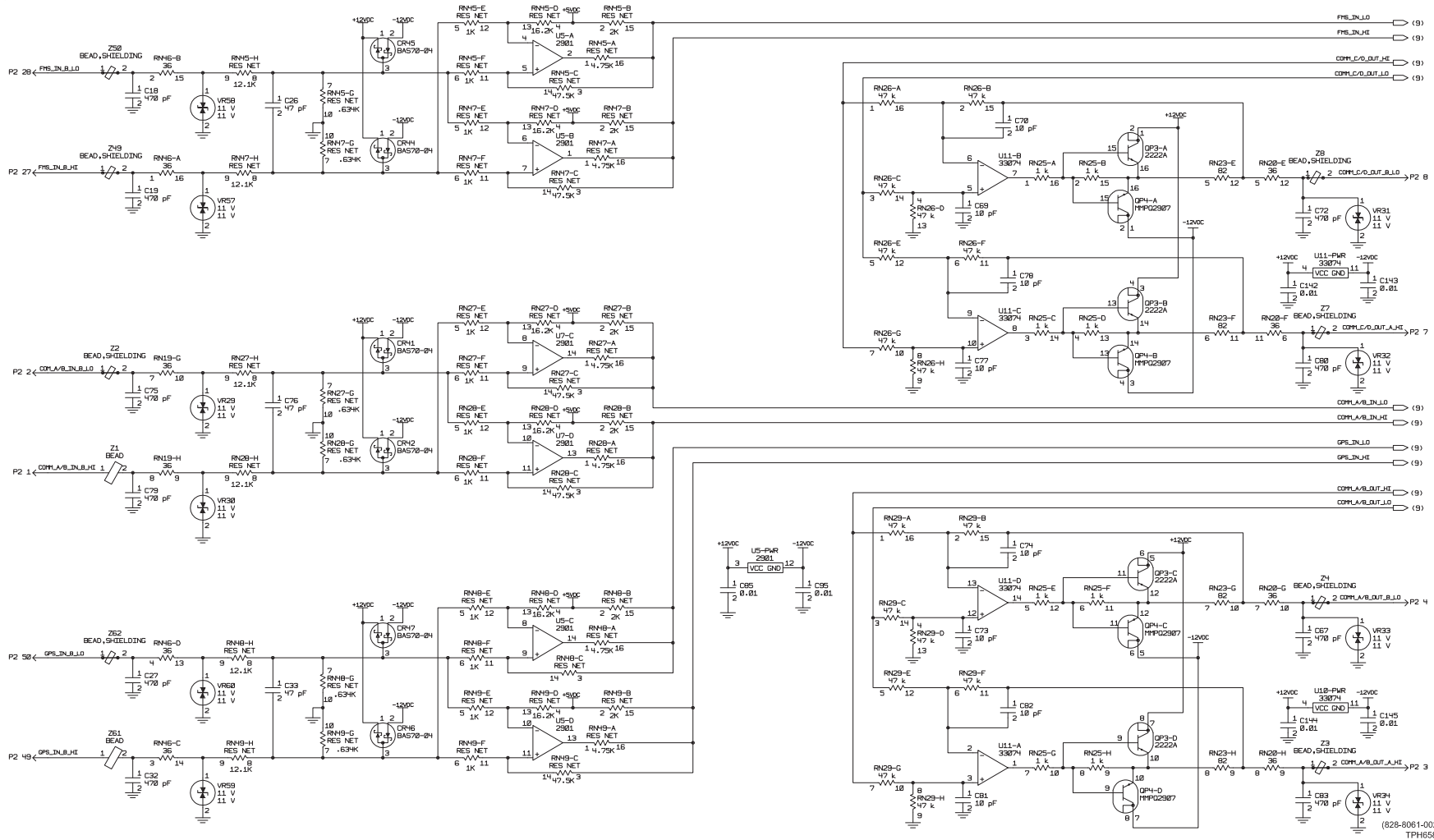
(828-8061-002K_3)
 TPH6586_03

CPU-I/O Programmed Assembly A5 (CPN 653-3674-001 thru -018) and CPU-I/O Circuit Card A5A1 (CPN 828-2700-002), Schematic Diagram
 Figure 2019 (Sheet 3 of 9)/GRAPHIC 34-50-96-99B-054-A01

34-50-96

Page 2105/2106
 May 18/06

ROCKWELL COLLINS
COMPONENT MAINTENANCE MANUAL with IPL
TDR-94, PART NO 622-9352



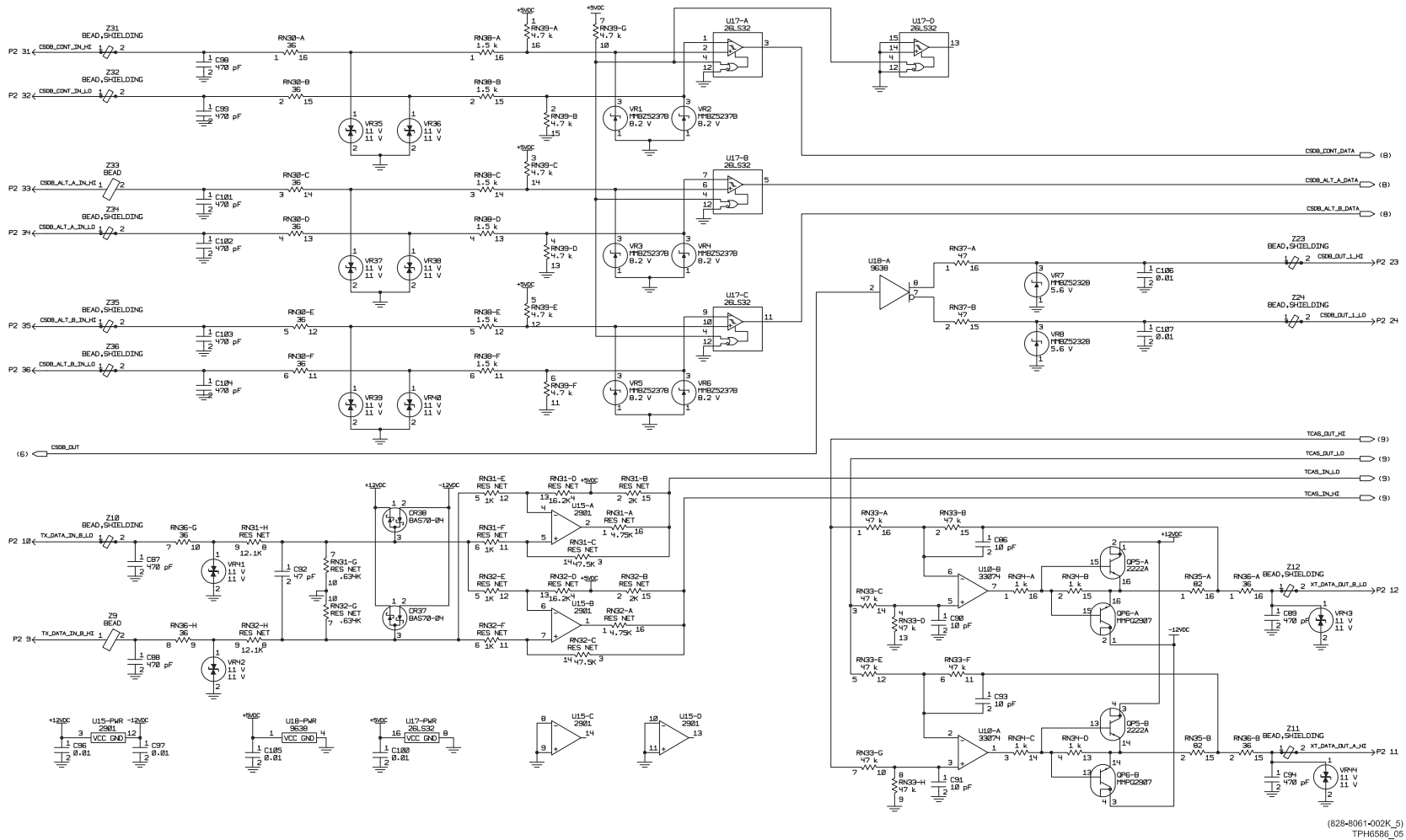
CPU-I/O Programmed Assembly A5 (CPN 653-3674-001 thru -018) and CPU-I/O Circuit Card A5A1 (CPN 828-2700-002), Schematic Diagram
 Figure 2019 (Sheet 4 of 9)/GRAPHIC 34-50-96-99B-054-A01

34-50-96

Page 2107/2108
 May 18/06

(828-8061-002K_4)
 TPH6586_04

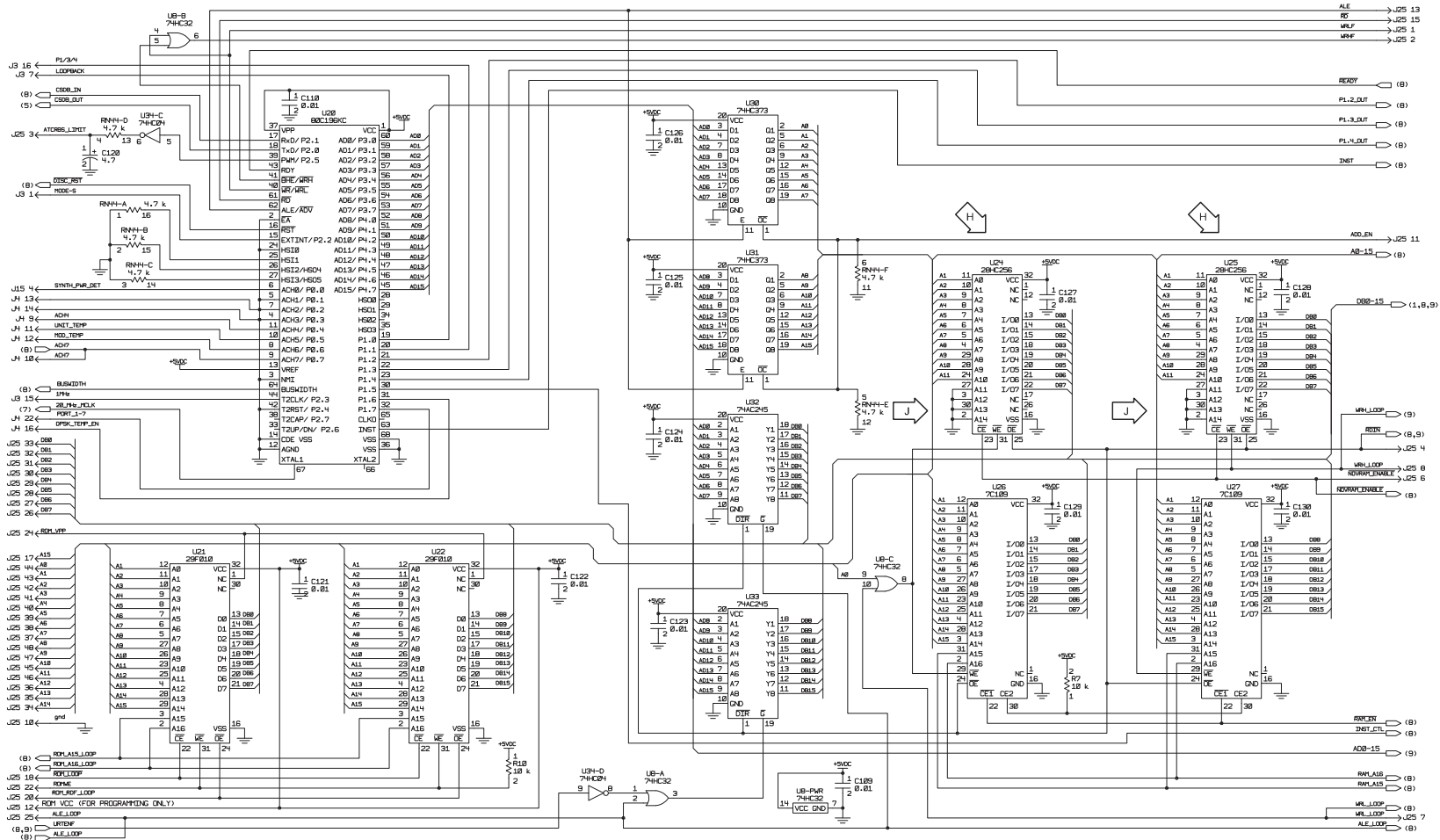
ROCKWELL COLLINS
COMPONENT MAINTENANCE MANUAL with IPL
TDR-94, PART NO 622-9352



(828-8061-002K_5)
 TPH6586_05

CPU-I/O Programmed Assembly A5 (CPN 653-3674-001 thru -018) and CPU-I/O Circuit Card A5A1 (CPN 828-2700-002), Schematic Diagram
 Figure 2019 (Sheet 5 of 9)/GRAPHIC 34-50-96-99B-054-A01

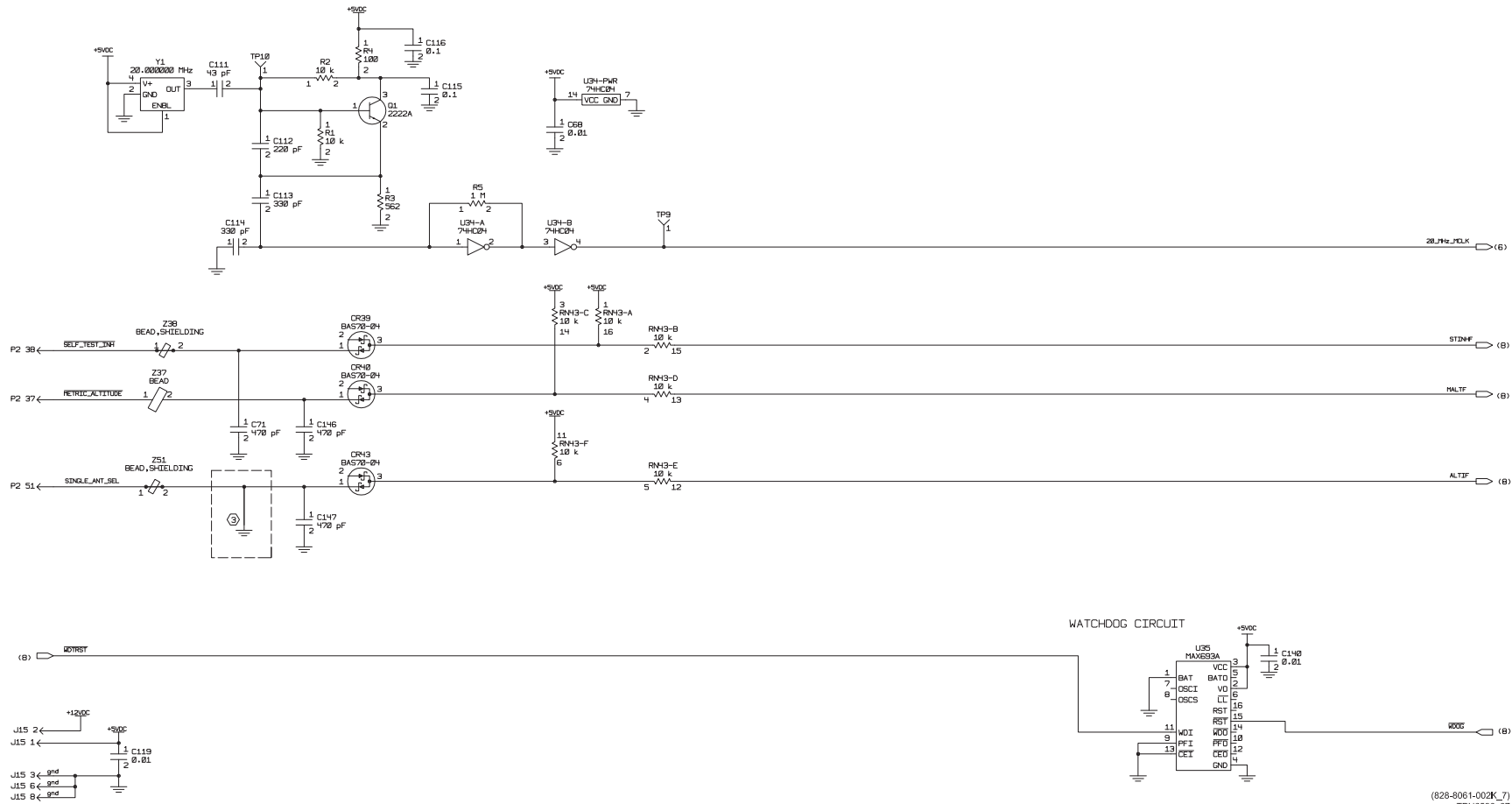
ROCKWELL COLLINS
COMPONENT MAINTENANCE MANUAL with IPL
TDR-94, PART NO 622-9352



(828-8061-002K_6)
 TPH6586_06

CPU-I/O Programmed Assembly A5 (CPN 653-3674-001 thru -018) and CPU-I/O Circuit
 Card A5A1 (CPN 828-2700-002), Schematic Diagram
 Figure 2019 (Sheet 6 of 9)/GRAPHIC 34-50-96-99B-054-A01

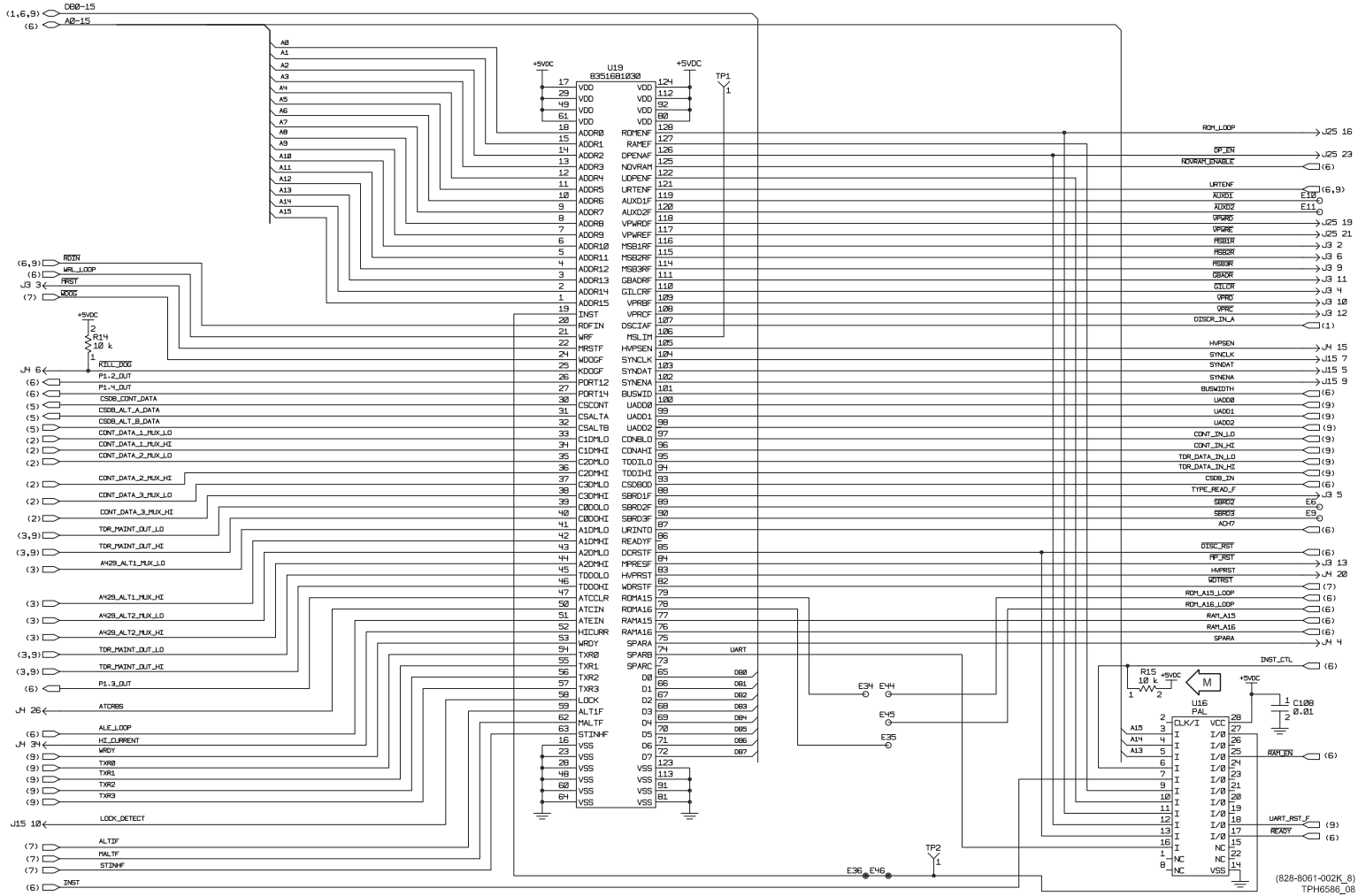
ROCKWELL COLLINS
COMPONENT MAINTENANCE MANUAL with IPL
TDR-94, PART NO 622-9352



CPU-I/O Programmed Assembly A5 (CPN 653-3674-001 thru -018) and CPU-I/O Circuit
 Card A5A1 (CPN 828-2700-002), Schematic Diagram
 Figure 2019 (Sheet 7 of 9)/GRAPHIC 34-50-96-99B-054-A01

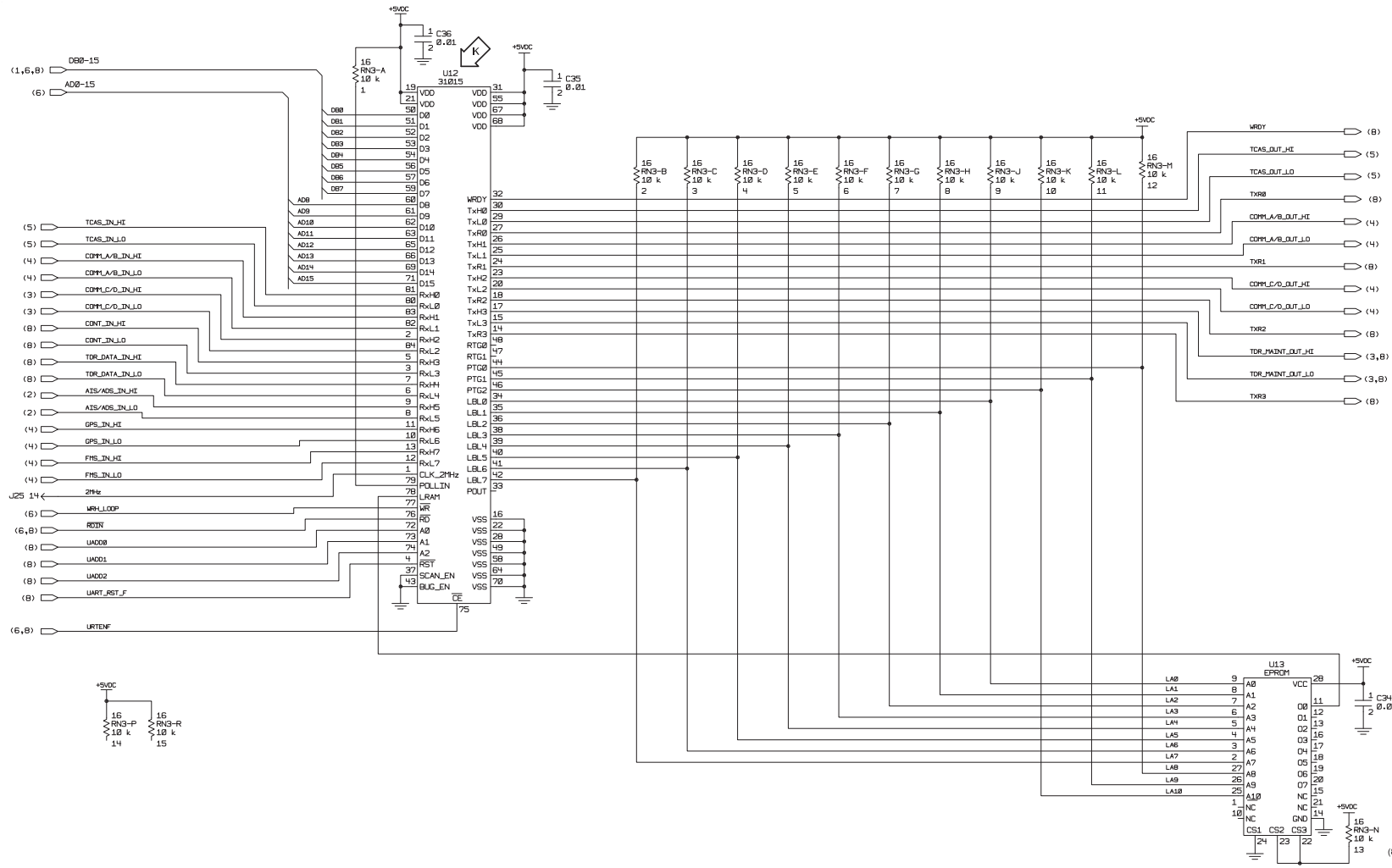
(828-9061-002K_7)
 TPF6558_07

ROCKWELL COLLINS
COMPONENT MAINTENANCE MANUAL with IPL
TDR-94, PART NO 622-9352



CPU-I/O Programmed Assembly A5 (CPN 653-3674-001 thru -018) and CPU-I/O Circuit
 Card A5A1 (CPN 828-2700-002), Schematic Diagram
 Figure 2019 (Sheet 8 of 9)/GRAPHIC 34-50-96-99B-054-A01

ROCKWELL COLLINS
COMPONENT MAINTENANCE MANUAL with IPL
 TDR-94, PART NO 622-9352



CPU-I/O Programmed Assembly A5 (CPN 653-3674-001 thru -018) and CPU-I/O Circuit Card A5A1 (CPN 828-2700-002), Schematic Diagram
 Figure 2019 (Sheet 9 of 9)/GRAPHIC 34-50-96-99B-054-A01

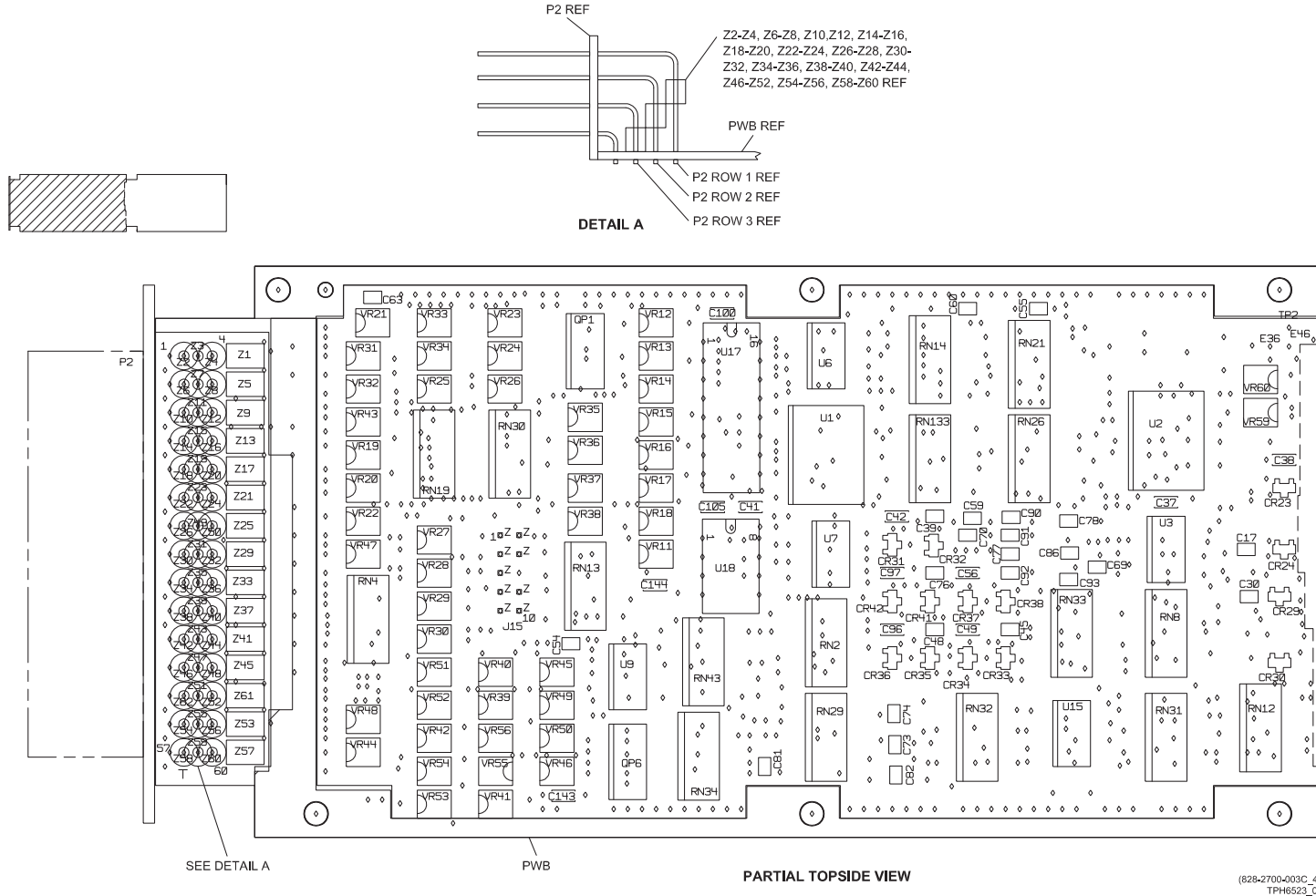
ROCKWELL COLLINS
COMPONENT MAINTENANCE MANUAL with IPL
TDR-94, PART NO 622-9352

MAINTENANCE AID/SCHEMATIC CHANGES

REVISION IDENT (SHEET)	DESCRIPTION OF REVISION AND CAUSE FOR CHANGE	SERVICE BULLETIN	EFFECTIVITY MARKING
N/A	Implemented circuit card into production.		REV A
B (6)	Data bus lines going to D0-D7 inputs of U25 were initially labelled incorrectly and have now been corrected.		REV B
C (7)	A modification to the circuit card has changed pins 8 and 9 of RN39 from +5V pullup to pulldown (ground).		REV C

CPU-I/O Circuit Card A5A1 (CPN 828-2700-003), Maintenance Aid and Schematic Changes
Table 2012/Table 34-50-96-99A-023-A01

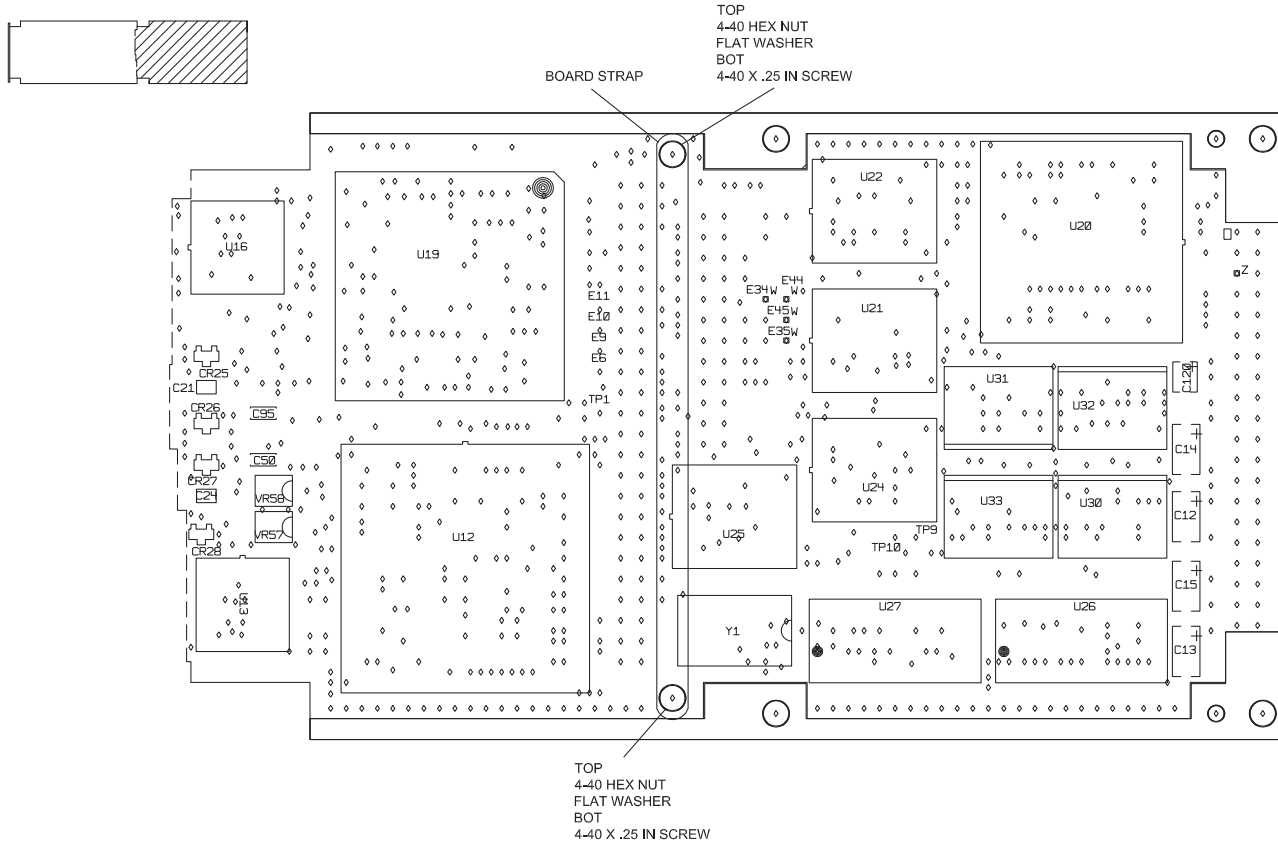
ROCKWELL COLLINS
 COMPONENT MAINTENANCE MANUAL with IPL
 TDR-94, PART NO 622-9352



CPU-I/O Circuit Card A5A1 (CPN 828-2700-003), Maintenance Aid Diagram
 Figure 2020 (Sheet 1 of 4)/GRAPHIC 34-50-96-99B-055-A01

(828-2700-003C_4)
 TPH6523_01

ROCKWELL COLLINS
 COMPONENT MAINTENANCE MANUAL with IPL
 TDR-94, PART NO 622-9352

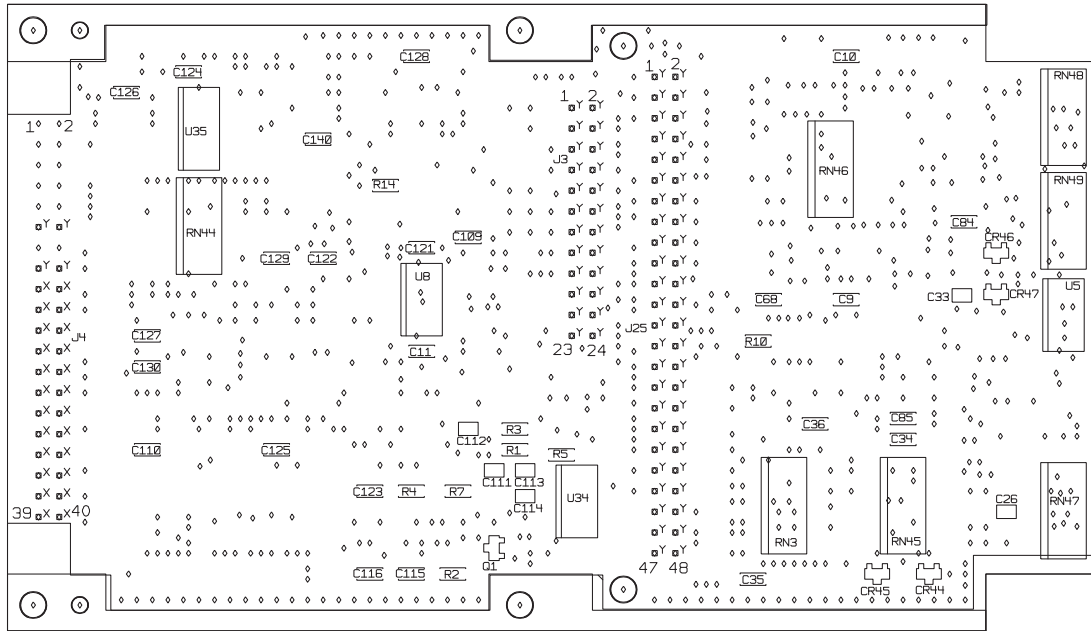
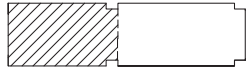


PARTIAL TOPSIDE VIEW

(828-2700-003C_4)
 TPH6523_02

CPU-I/O Circuit Card A5A1 (CPN 828-2700-003), Maintenance Aid Diagram
 Figure 2020 (Sheet 2 of 4)/GRAPHIC 34-50-96-99B-055-A01

ROCKWELL COLLINS
 COMPONENT MAINTENANCE MANUAL with IPL
 TDR-94, PART NO 622-9352

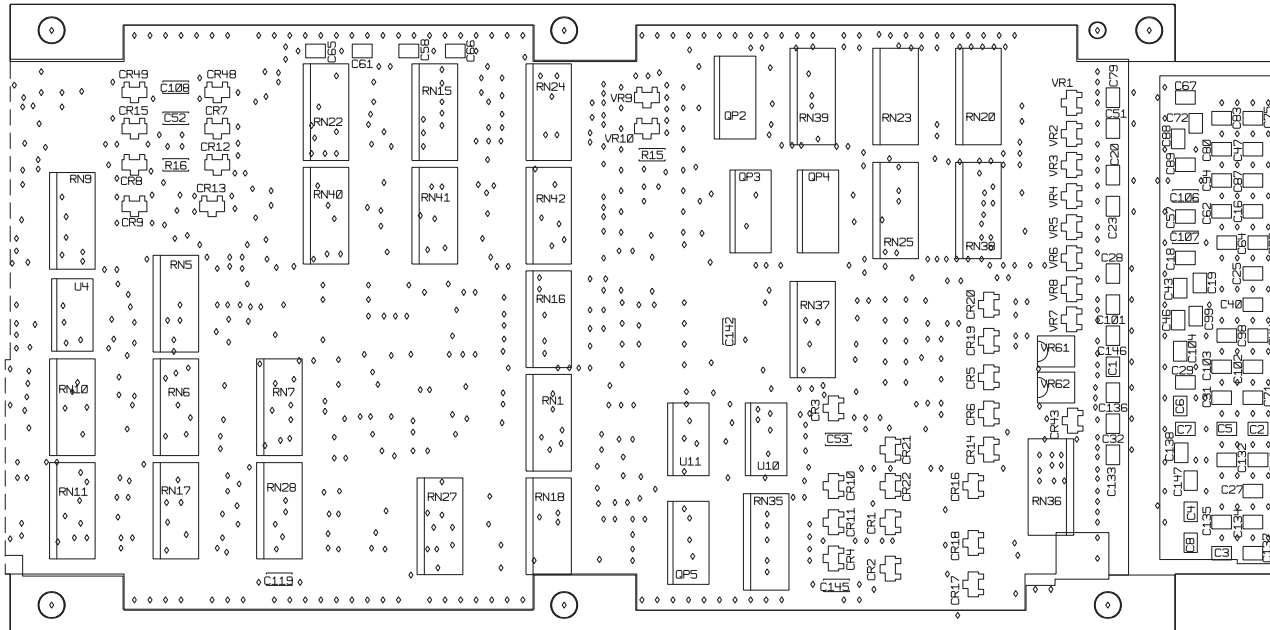
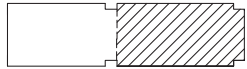


PARTIAL BACKSIDE VIEW

(828-2700-003C_5)
 TP6523_03

CPU-I/O Circuit Card A5A1 (CPN 828-2700-003), Maintenance Aid Diagram
 Figure 2020 (Sheet 3 of 4)/GRAPHIC 34-50-96-99B-055-A01

ROCKWELL COLLINS
COMPONENT MAINTENANCE MANUAL with IPL
TDR-94, PART NO 622-9352

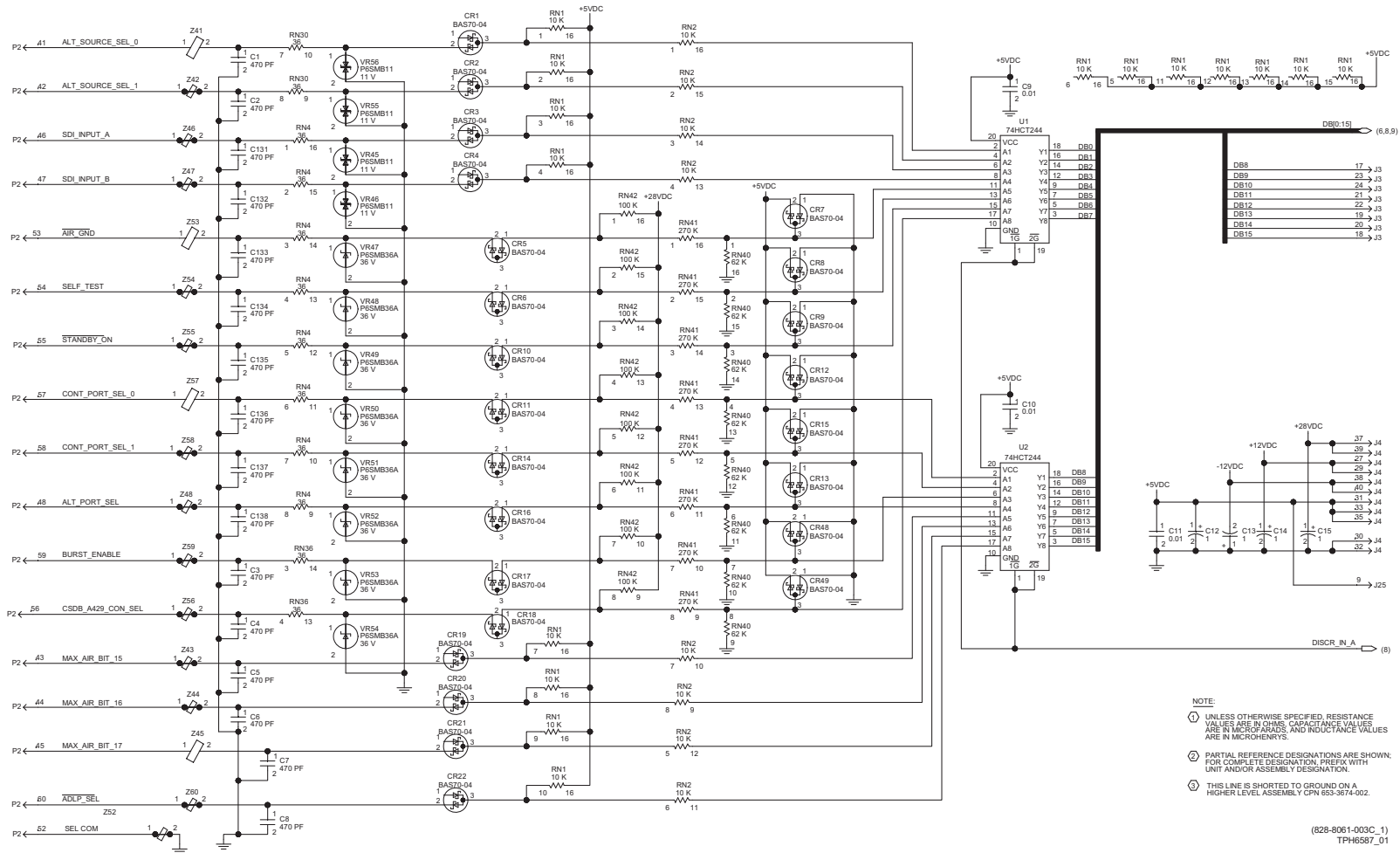


PARTIAL BACKSIDE VIEW

(828-2700-003C_5)
TPH6523_04

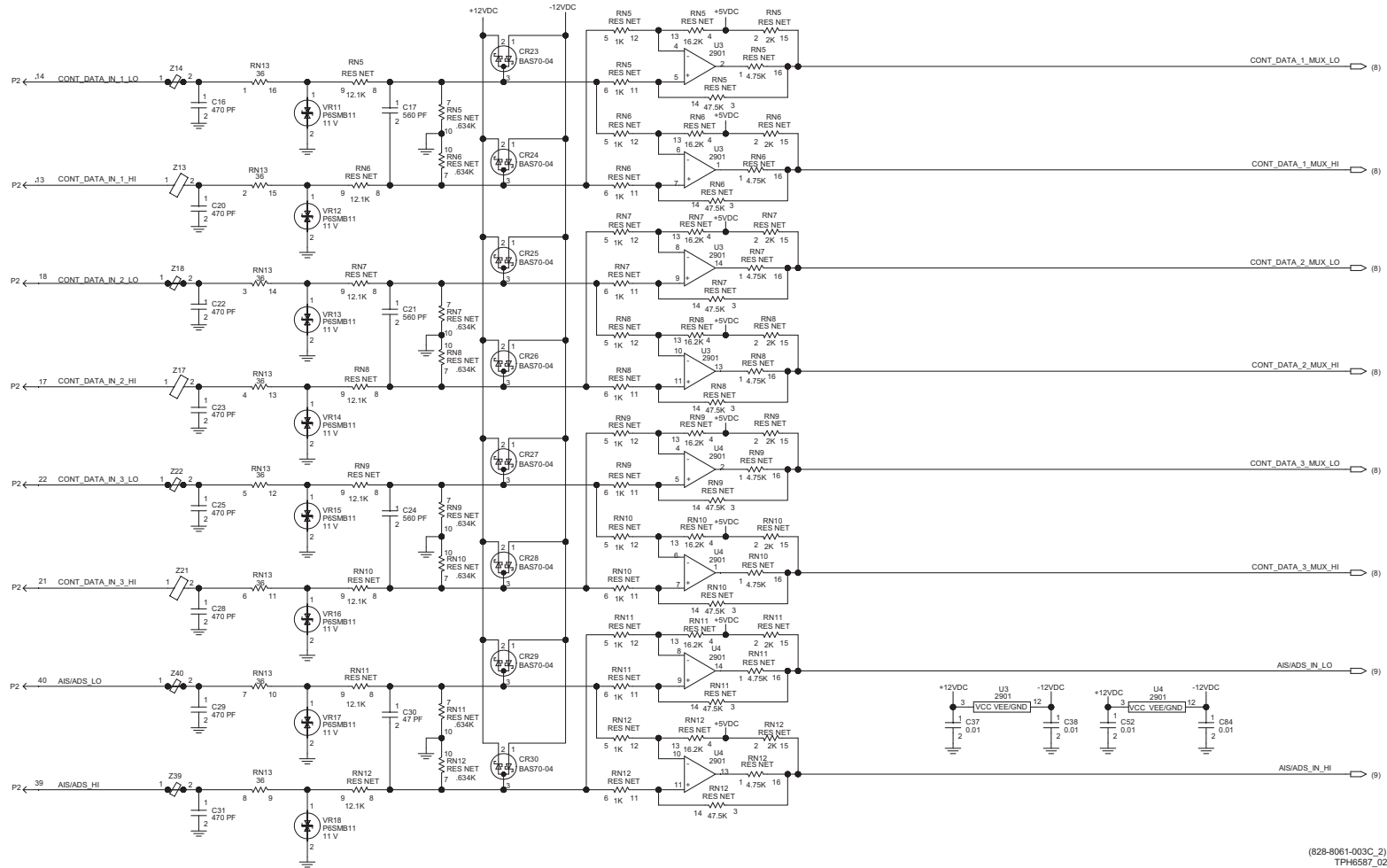
CPU-I/O Circuit Card A5A1 (CPN 828-2700-003), Maintenance Aid Diagram
Figure 2020 (Sheet 4 of 4)/GRAPHIC 34-50-96-99B-055-A01

ROCKWELL COLLINS
COMPONENT MAINTENANCE MANUAL with IPL
TDR-94, PART NO 622-9352



CPU-I/O Circuit Card A5A1 (CPN 828-2700-003), Schematic Diagram
 Figure 2021 (Sheet 1 of 9)/GRAPHIC 34-50-96-99B-056-A01

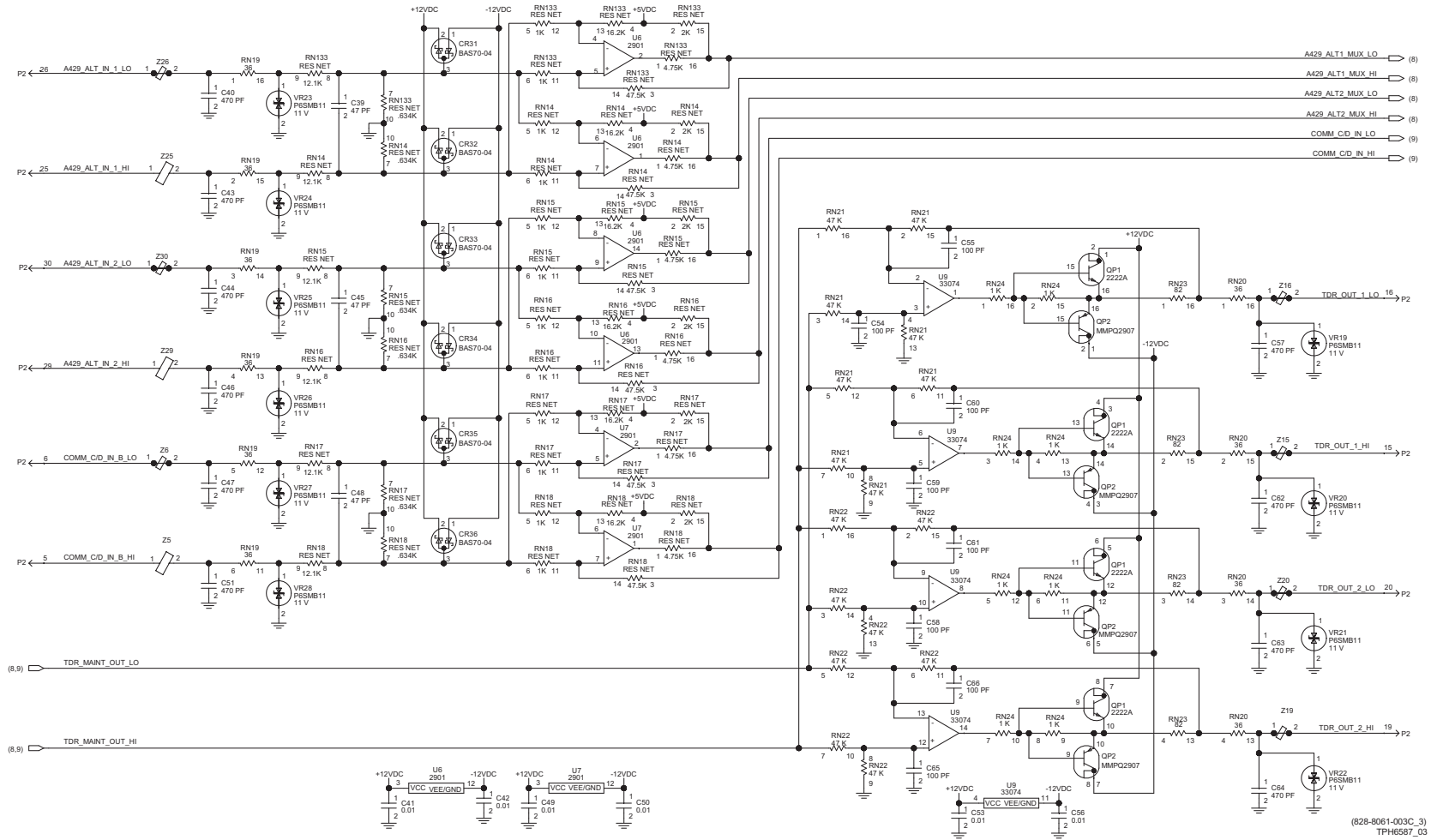
ROCKWELL COLLINS
 COMPONENT MAINTENANCE MANUAL with IPL
 TDR-94, PART NO 622-9352



(828-8061-003C_2)
 TPH6587_02

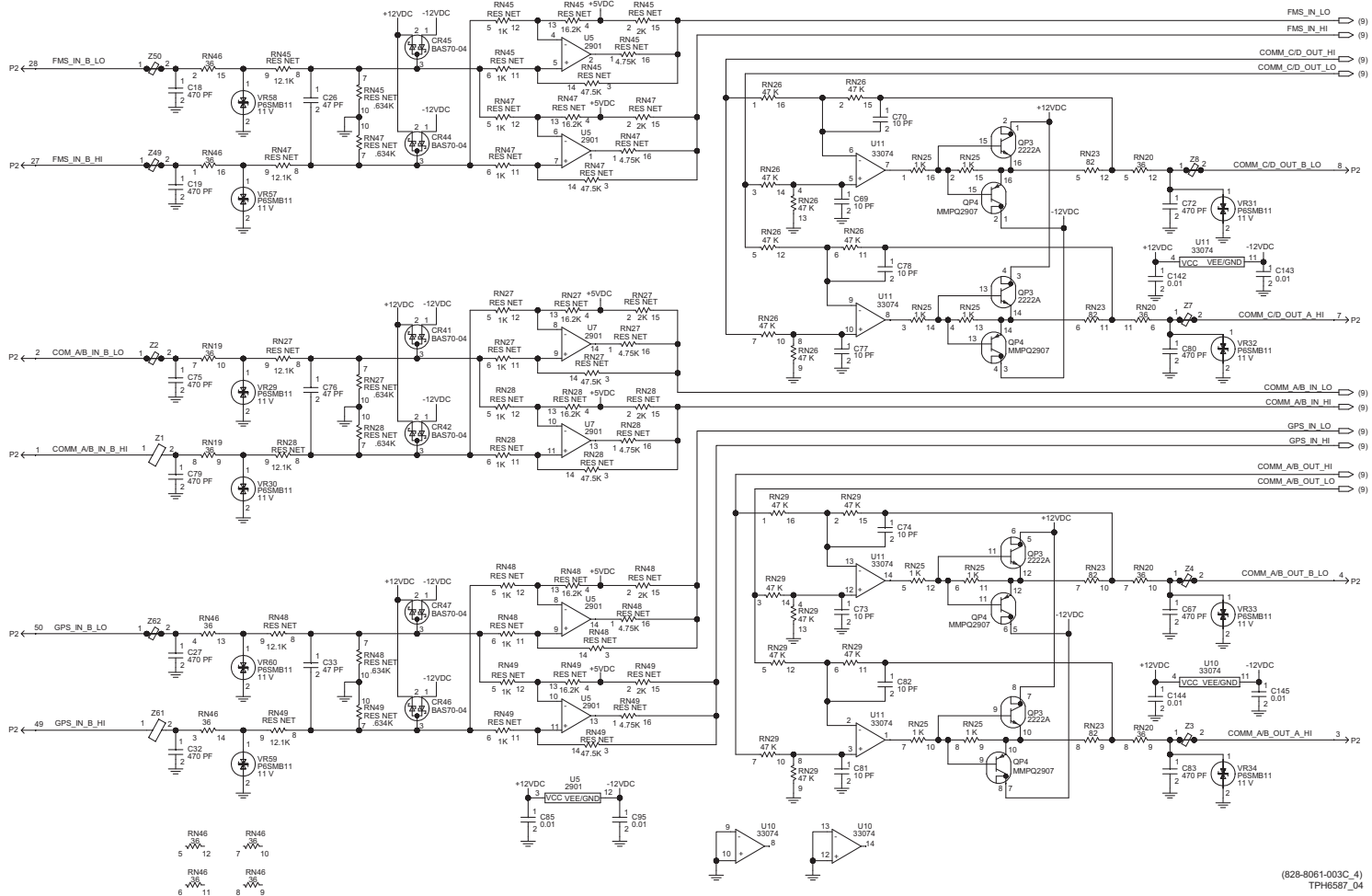
CPU-I/O Circuit Card A5A1 (CPN 828-2700-003), Schematic Diagram
 Figure 2021 (Sheet 2 of 9)/GRAPHIC 34-50-96-99B-056-A01

ROCKWELL COLLINS
 COMPONENT MAINTENANCE MANUAL with IPL
 TDR-94, PART NO 622-9352



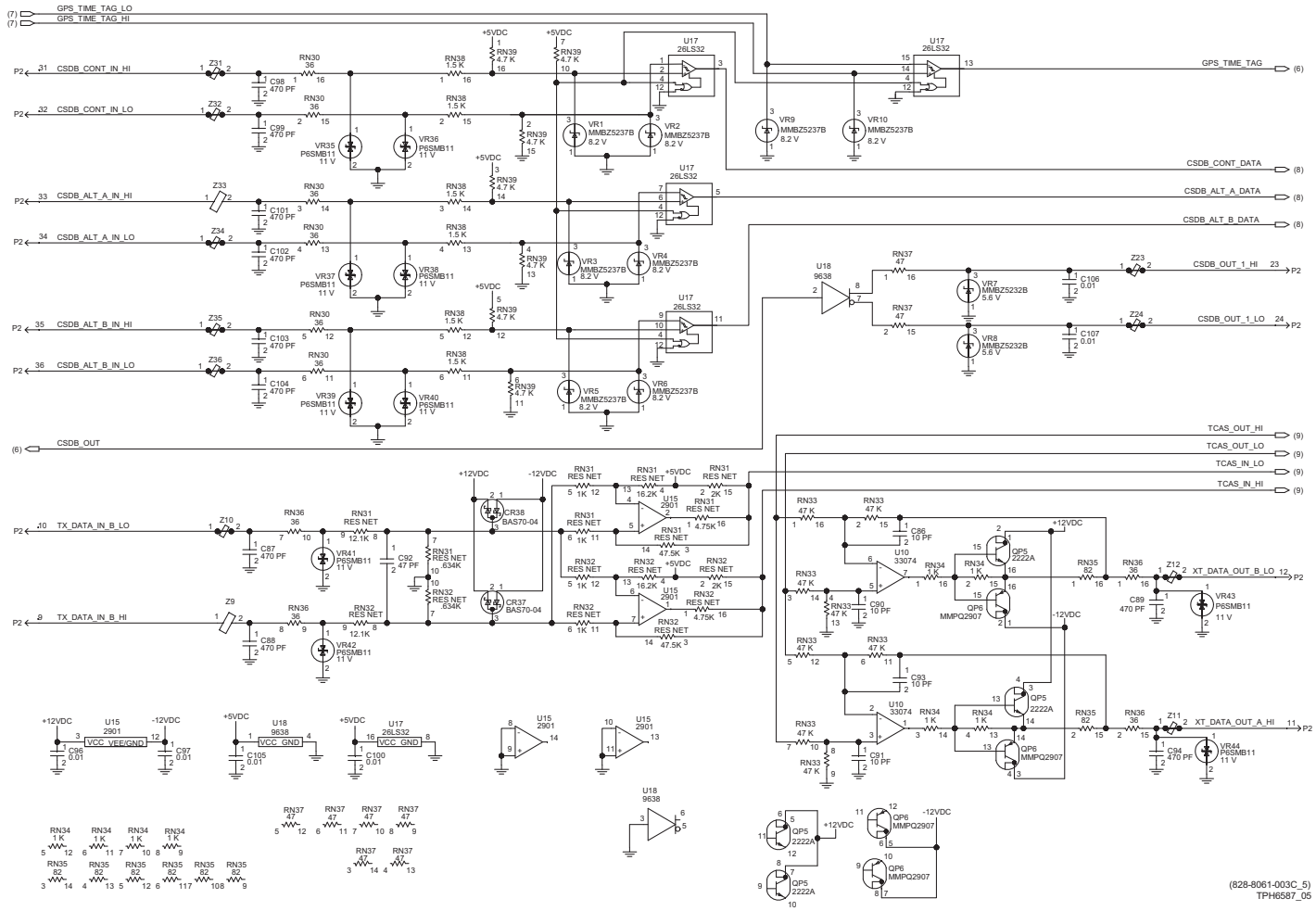
CPU I/O Circuit Card A5A1 (CPN 828-2700-003), Schematic Diagram
 Figure 2021 (Sheet 3 of 9)/GRAPHIC 34-50-96-99B-056-A01

ROCKWELL COLLINS
 COMPONENT MAINTENANCE MANUAL with IPL
 TDR-94, PART NO 622-9352



CPU I/O Circuit Card A5A1 (CPN 828-2700-003), Schematic Diagram
 Figure 2021 (Sheet 4 of 9)/GRAPHIC 34-50-96-99B-056-A01

ROCKWELL COLLINS
COMPONENT MAINTENANCE MANUAL with IPL
TDR-94, PART NO 622-9352

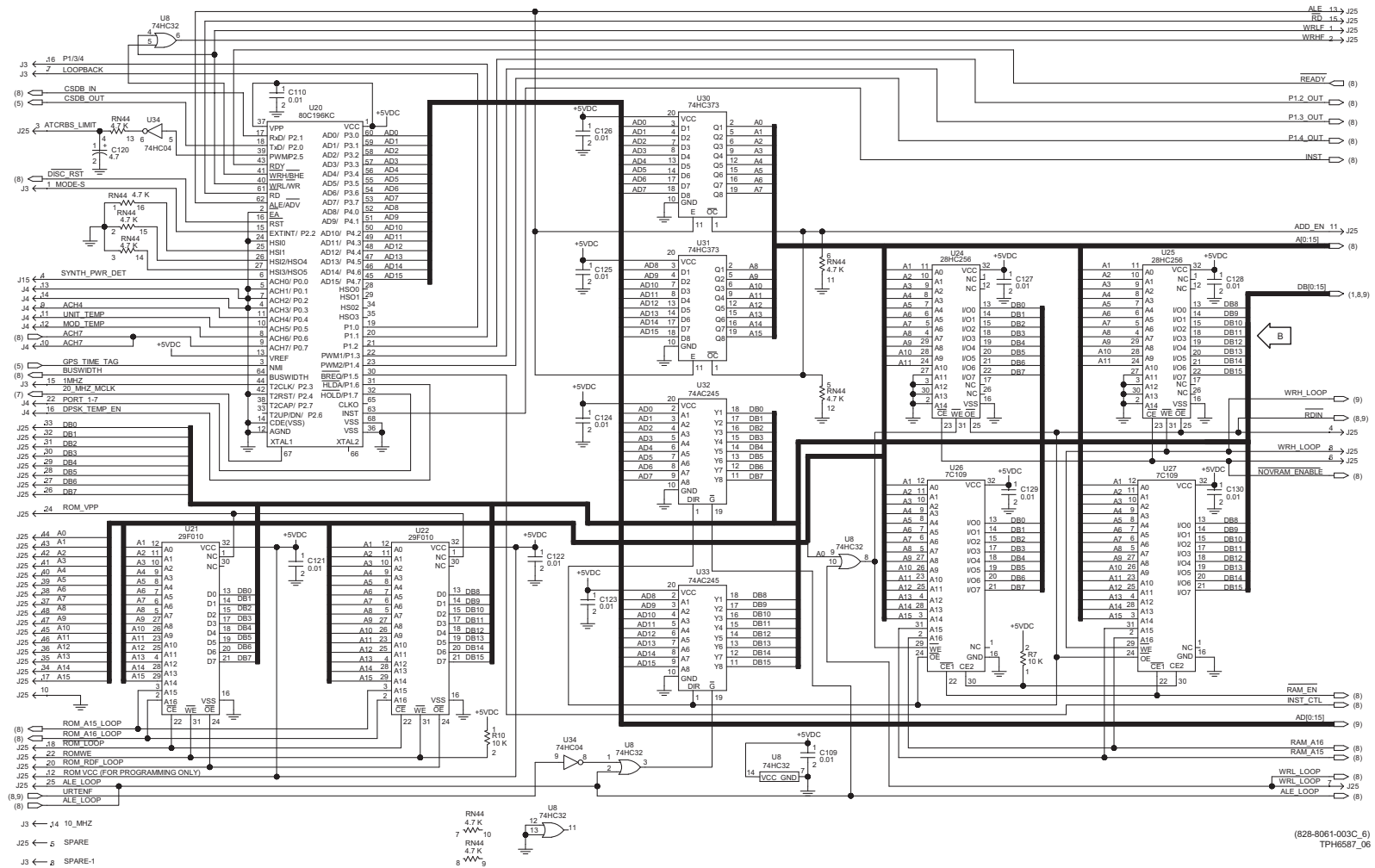


GPU-I/O Circuit Card A5A1 (CPN 828-2700-003), Schematic Diagram
 Figure 2021 (Sheet 5 of 9)/GRAPHIC 34-50-96-99B-056-A01

34-50-96

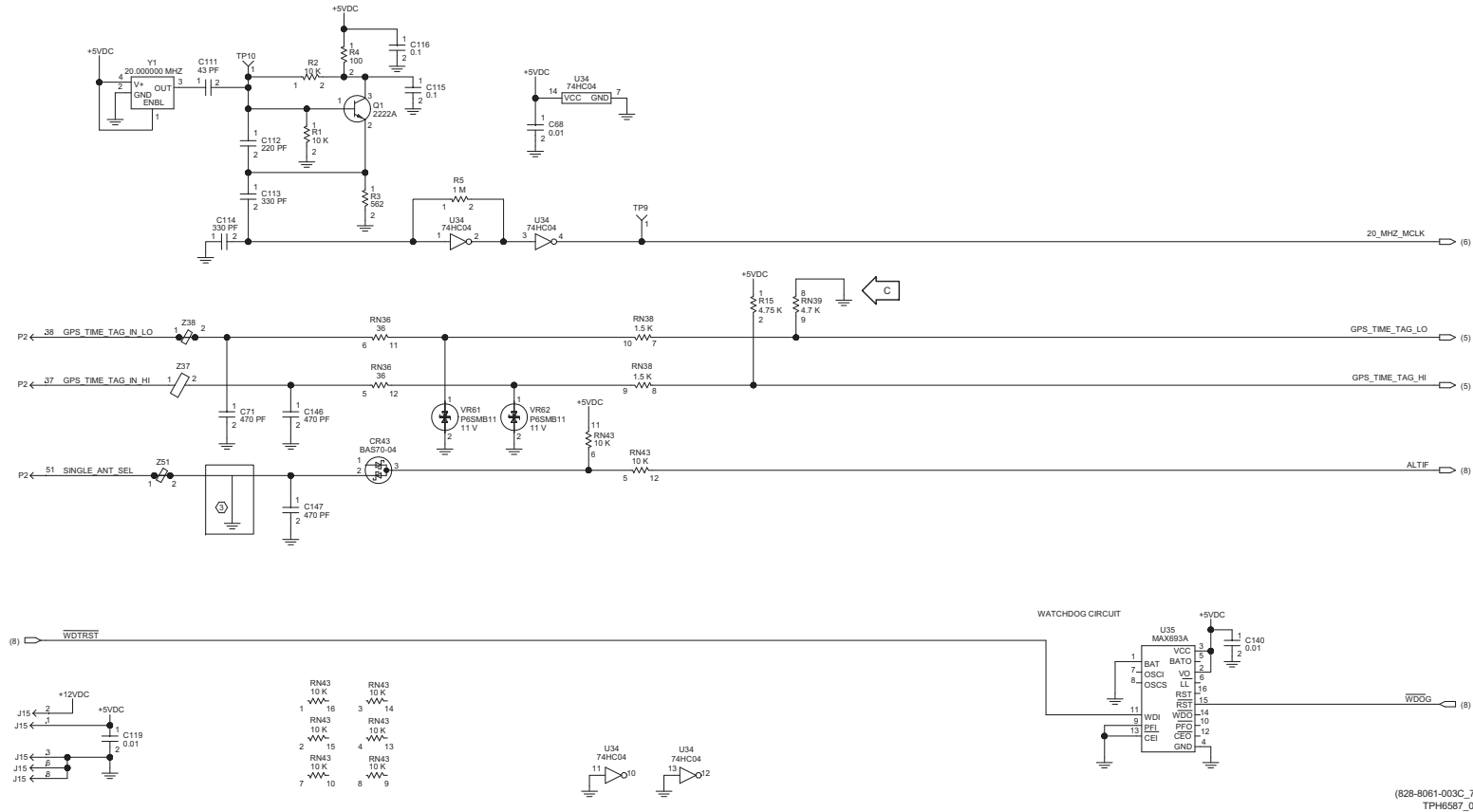
(828-8061-003C_5)
 TPH6587_05

**ROCKWELL COLLINS
COMPONENT MAINTENANCE MANUAL with IPL
TDR-94, PART NO 622-9352**



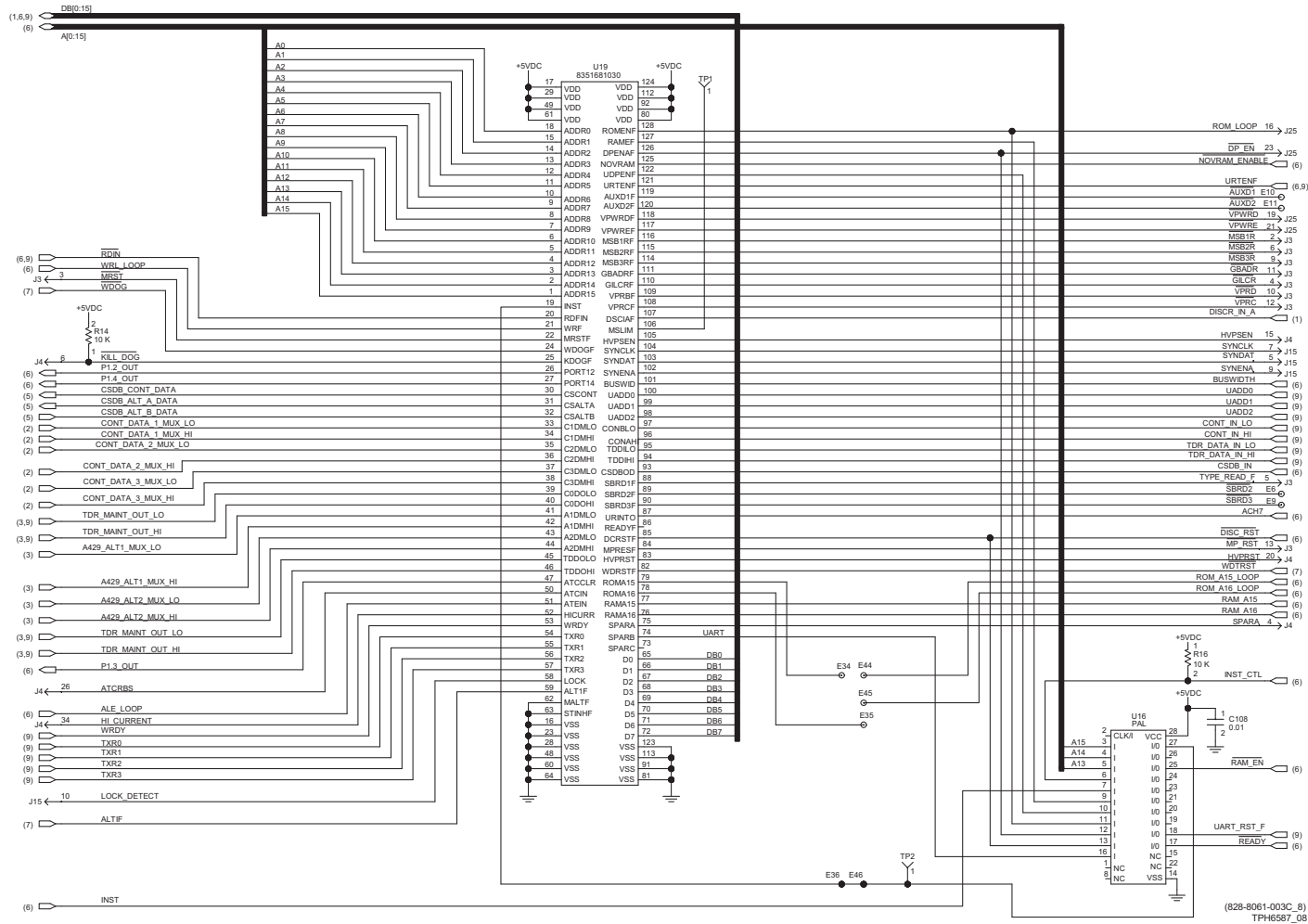
CPU/I/O Circuit Card A5A1 (CPN 828-2700-003), Schematic Diagram
Figure 2021 (Sheet 6 of 9)/GRAPHIC 34-50-96-99B-056-A01

ROCKWELL COLLINS
COMPONENT MAINTENANCE MANUAL with IPL
TDR-94, PART NO 622-9352



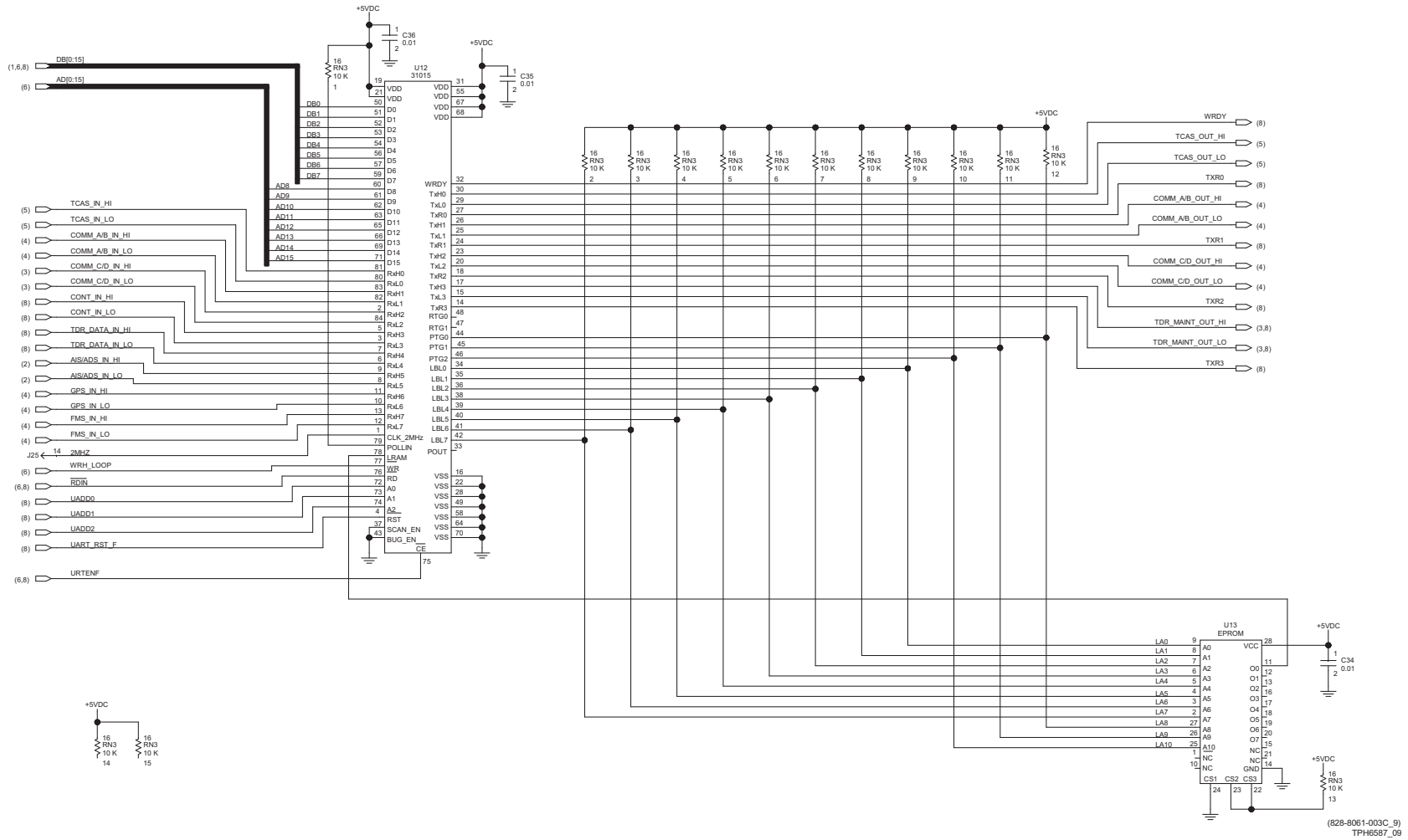
CPU-I/O Circuit Card A5A1 (CPN 828-2700-003), Schematic Diagram
 Figure 2021 (Sheet 7 of 9)/GRAPHIC 34-50-96-99B-056-A01

ROCKWELL COLLINS
COMPONENT MAINTENANCE MANUAL with IPL
TDR-94, PART NO 622-9352



CPU-I/O Circuit Card A5A1 (CPN 828-2700-003), Schematic Diagram
 Figure 2021 (Sheet 8 of 9)/GRAPHIC 34-50-96-99B-056-A01

ROCKWELL COLLINS
COMPONENT MAINTENANCE MANUAL with IPL
TDR-94, PART NO 622-9352



CPU-I/O Circuit Card A5A1 (CPN 828-2700-003), Schematic Diagram
 Figure 2021 (Sheet 9 of 9)/GRAPHIC 34-50-96-99B-056-A01

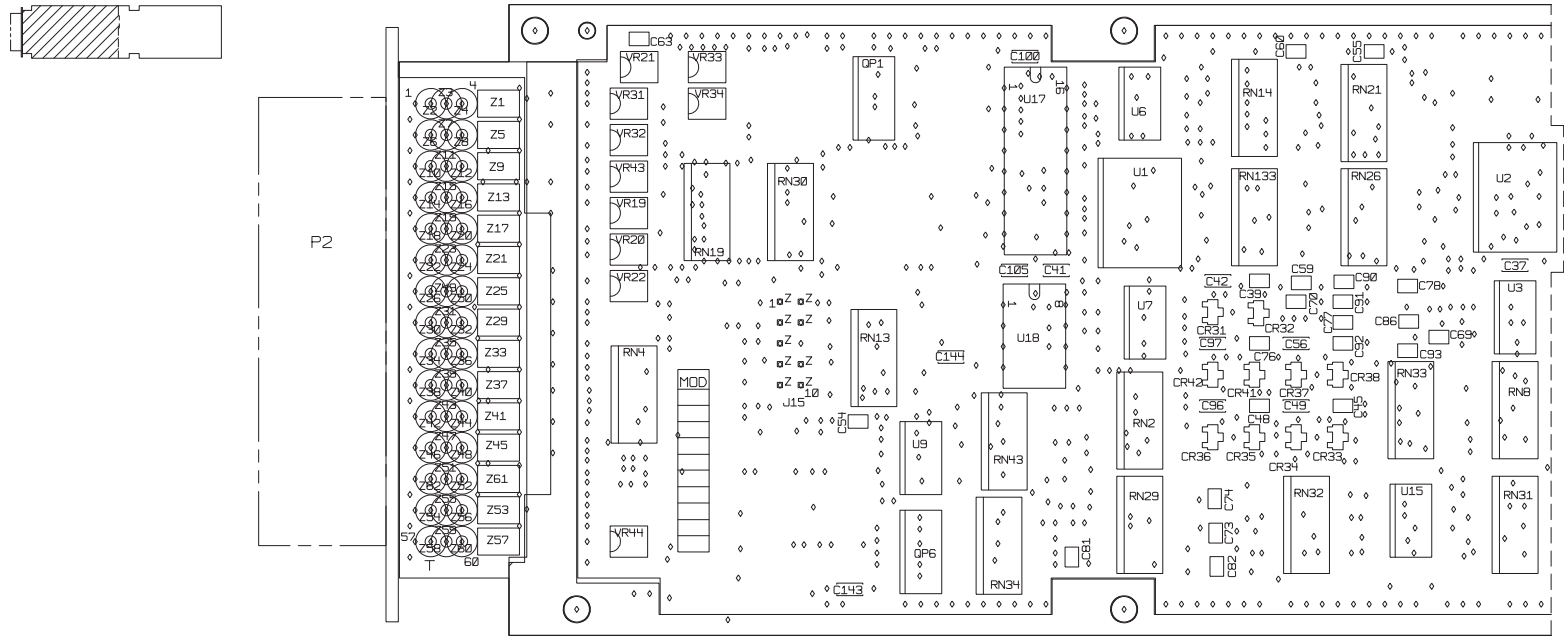
ROCKWELL COLLINS
COMPONENT MAINTENANCE MANUAL with IPL
TDR-94, PART NO 622-9352

MAINTENANCE AID/SCHEMATIC CHANGES

REVISION IDENT (SHEET)	DESCRIPTION OF REVISION AND CAUSE FOR CHANGE	SERVICE BULLETIN	EFFECTIVITY MARKING
	(This sheet will contain maintenance aid and schematic revision data.)		

CPU-I/O Programmed Assembly A5 (CPN 653-3674-025, -026) and CPU-I/O Circuit Card A5A1
(CPN 828-2700-004), Maintenance Aid and Schematic Changes
Table 2012.1/ Table 34-50-96-99A-044-A01

ROCKWELL COLLINS
 COMPONENT MAINTENANCE MANUAL with IPL
 TDR-94, PART NO 622-9352

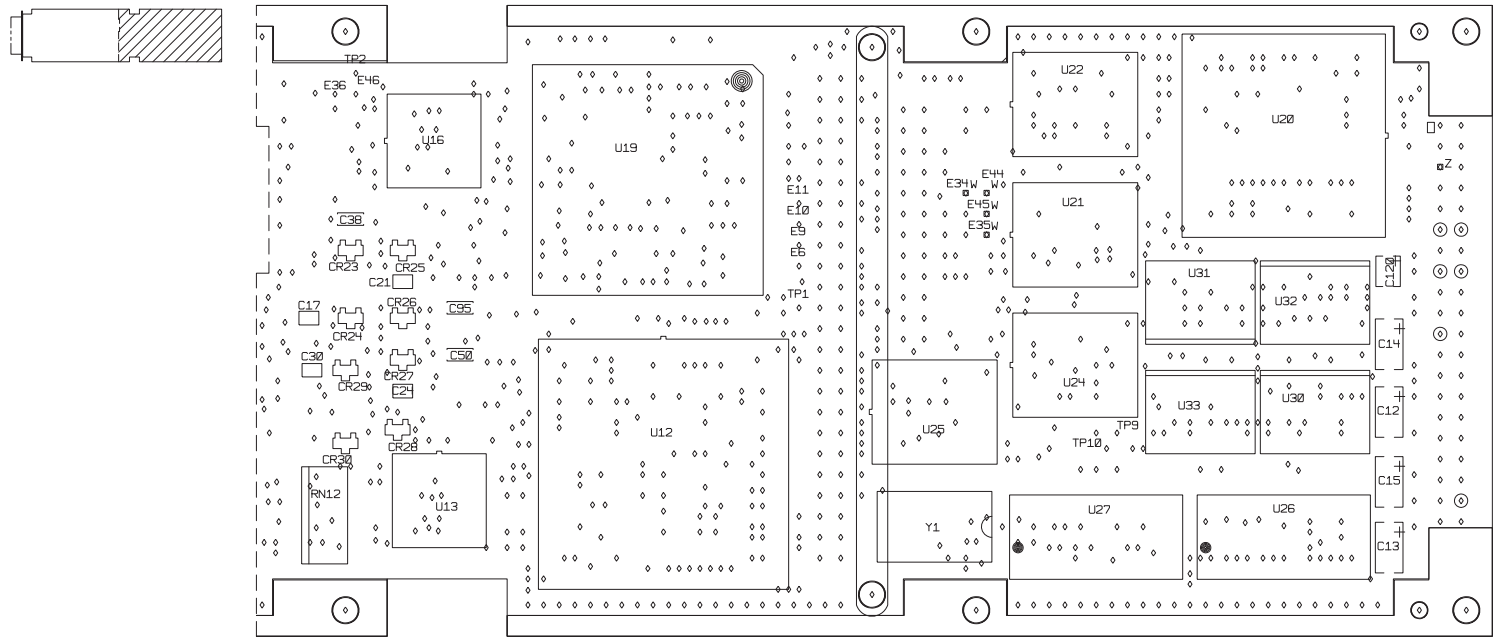


PARTIAL TOPSIDE VIEW

(828-2700-004A_4)
 TPK8998_01

CPU-I/O Programmed Assembly A5 (CPN 653-3674-025, -026) and CPU-I/O Circuit
 Card A5A1 (CPN 828-2700-004), Maintenance Aid Diagram
 Figure 2021.1 (Sheet 1 of 4)/GRAPHIC 34-50-96-99B-098-A01

ROCKWELL COLLINS
 COMPONENT MAINTENANCE MANUAL with IPL
 TDR-94, PART NO 622-9352

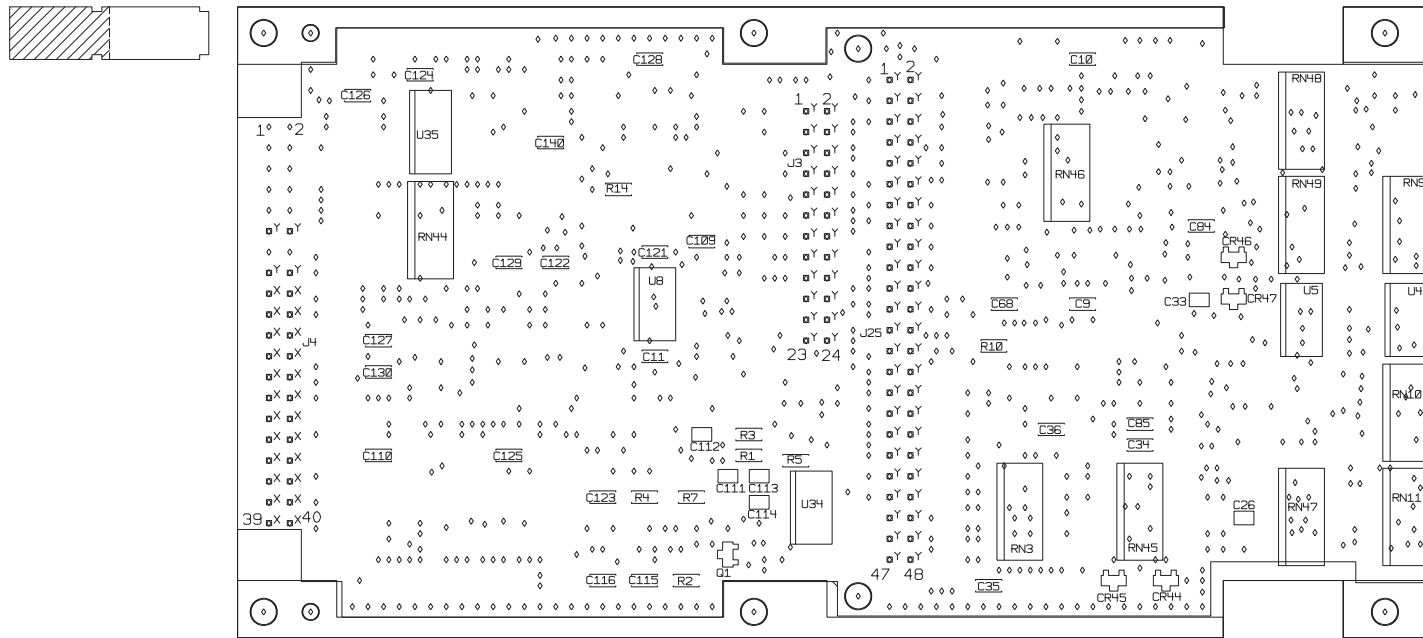


PARTIAL TOPSIDE VIEW

(828-2700-004A_4)
 TPK8996_02

CPU-I/O Programmed Assembly A5 (CPN 653-3674-025, -026) and CPU-I/O Circuit
 Card A5A1 (CPN 828-2700-004), Maintenance Aid Diagram
 Figure 2021.1 (Sheet 2 of 4)/GRAPHIC 34-50-96-99B-098-A01

ROCKWELL COLLINS
 COMPONENT MAINTENANCE MANUAL with IPL
 TDR-94, PART NO 622-9352

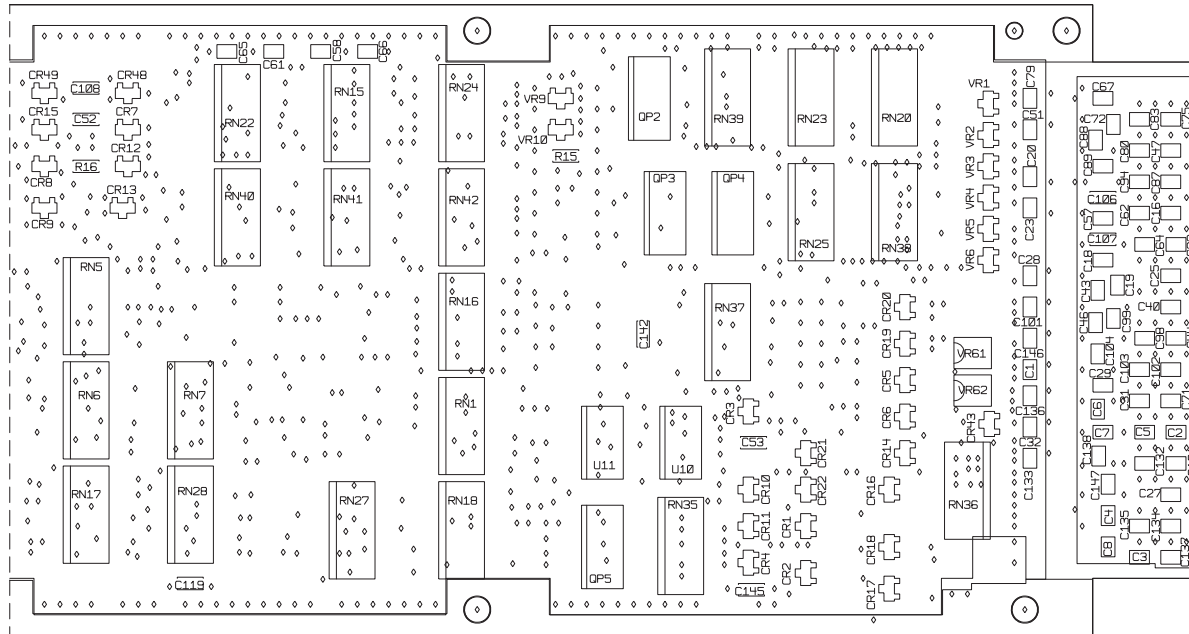
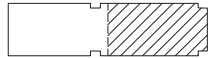


PARTIAL BACKSIDE VIEW

(828-2700-004A_5)
 TPK8998_03

CPU-I/O Programmed Assembly A5 (CPN 653-3674-025, -026) and CPU-I/O Circuit
 Card A5A1 (CPN 828-2700-004), Maintenance Aid Diagram
 Figure 2021.1 (Sheet 3 of 4)/GRAPHIC 34-50-96-99B-098-A01

ROCKWELL COLLINS
 COMPONENT MAINTENANCE MANUAL with IPL
 TDR-94, PART NO 622-9352

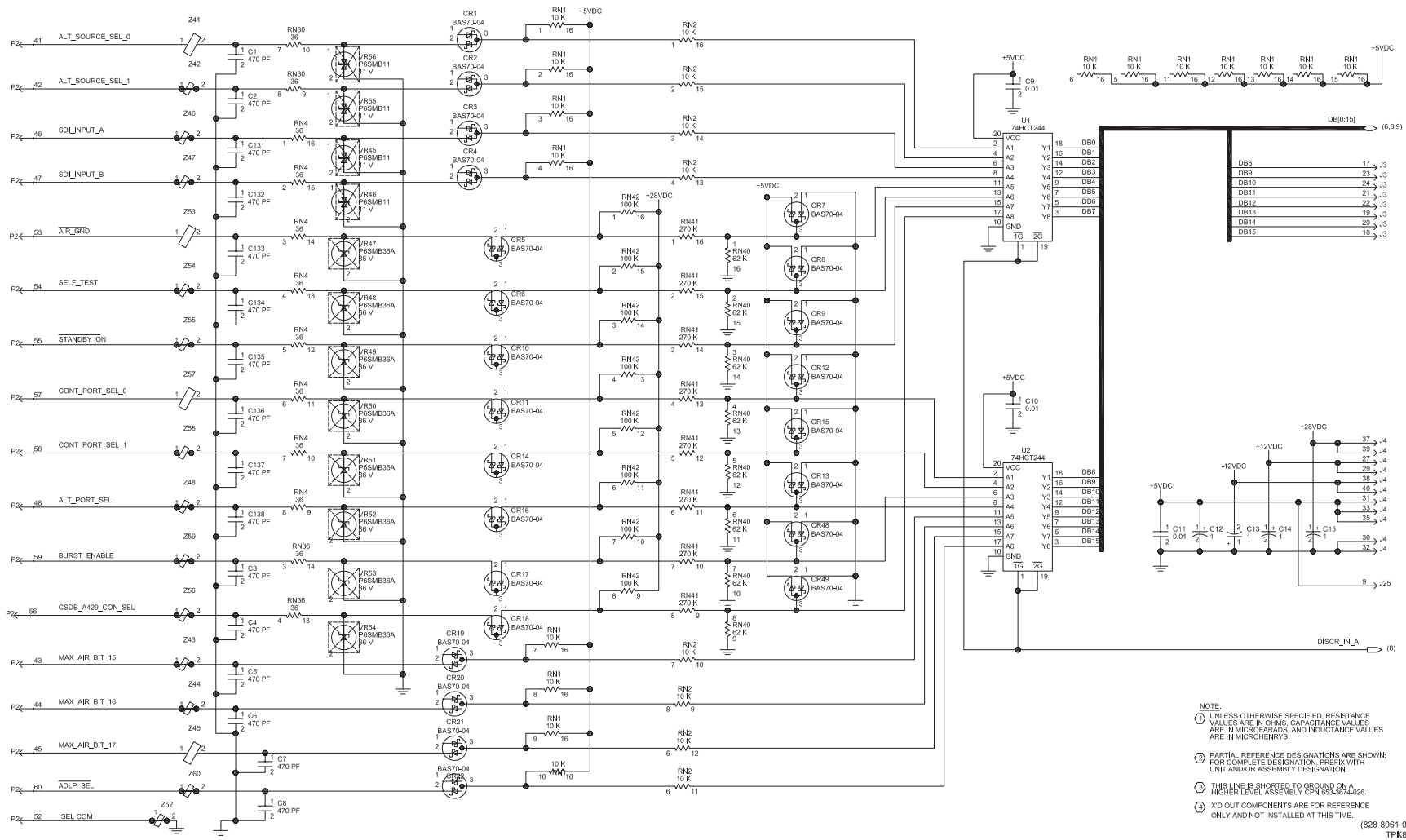


PARTIAL BACKSIDE VIEW

(828-2700-004A_5)
 TPK8998_04

CPU-I/O Programmed Assembly A5 (CPN 653-3674-025, -026) and CPU-I/O Circuit
 Card A5A1 (CPN 828-2700-004), Maintenance Aid Diagram
 Figure 2021.1 (Sheet 4 of 4)/GRAPHIC 34-50-96-99B-098-A01

ROCKWELL COLLINS
COMPONENT MAINTENANCE MANUAL with IPL
TDR-94, PART NO 622-9352

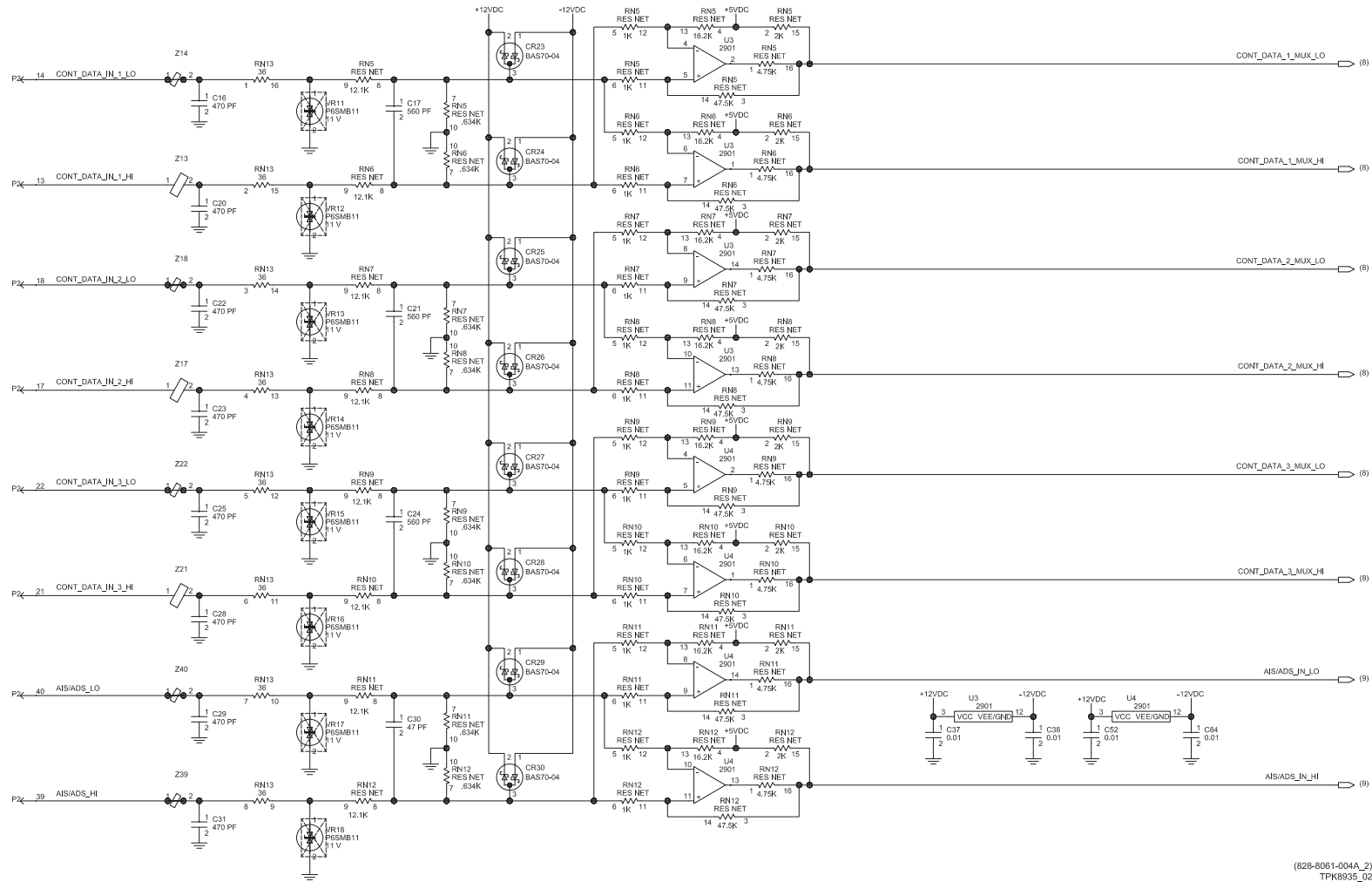


CPU-I/O Programmed Assembly A5 (CPN 653-3674-025, -026) and CPU-I/O Circuit
 Card A5A1 (CPN 828-2700-004), Schematic Diagram
 Figure 2021.2 (Sheet 1 of 9)/GRAPHIC 34-50-96-99B-099-A01

34-50-96

Page 2146.11/
 2146.12
 May 20/10

ROCKWELL COLLINS
 COMPONENT MAINTENANCE MANUAL with IPL
 TDR-94, PART NO 622-9352



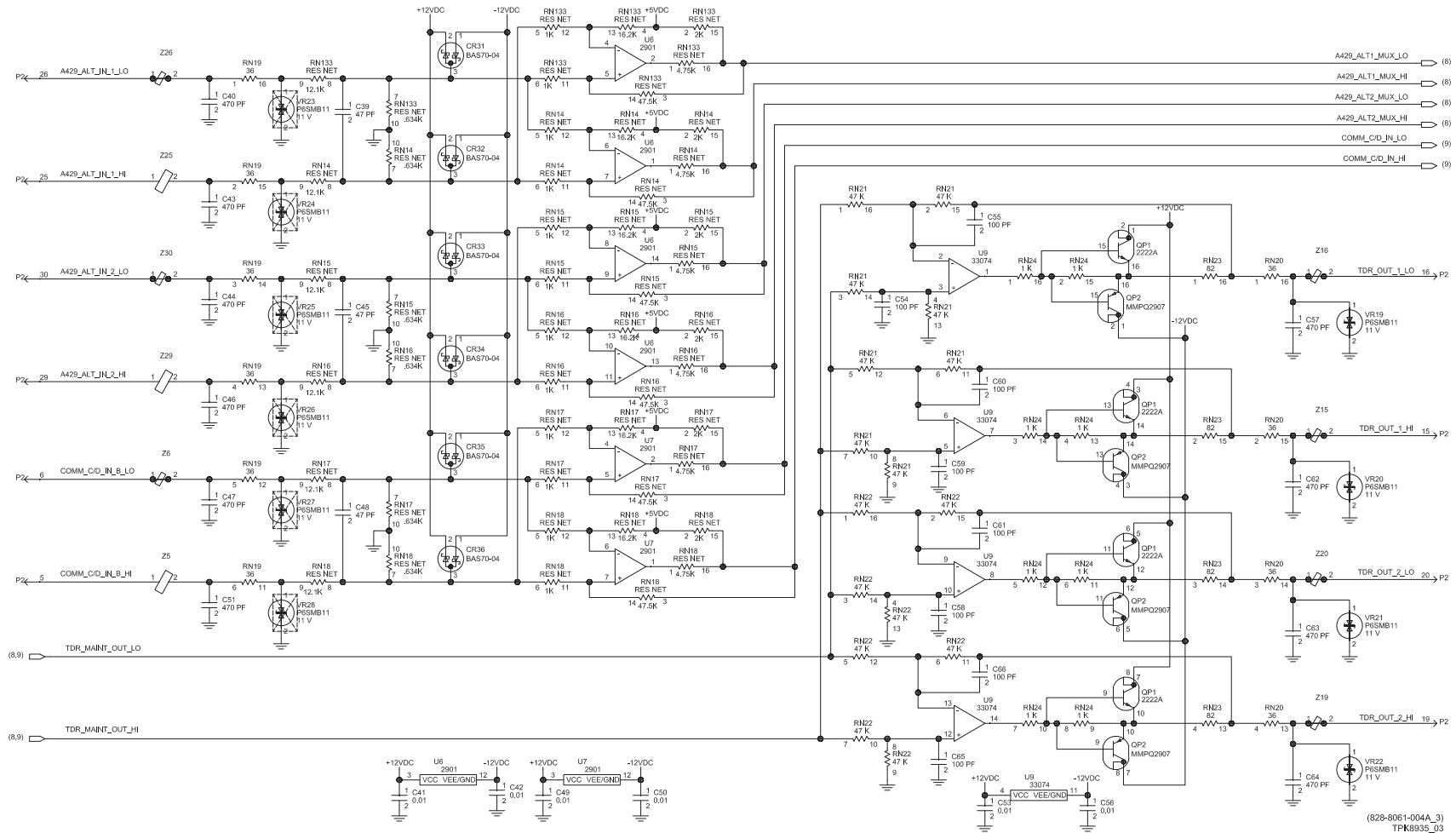
(828-8061-004A_2)
 TPK6935_02

CPU-I/O Programmed Assembly A5 (CPN 653-3674-025, -026) and CPU-I/O Circuit
 Card A5A1 (CPN 828-2700-004), Schematic Diagram
 Figure 2021.2 (Sheet 2 of 9)/GRAPHIC 34-50-96-99B-099-A01

34-50-96

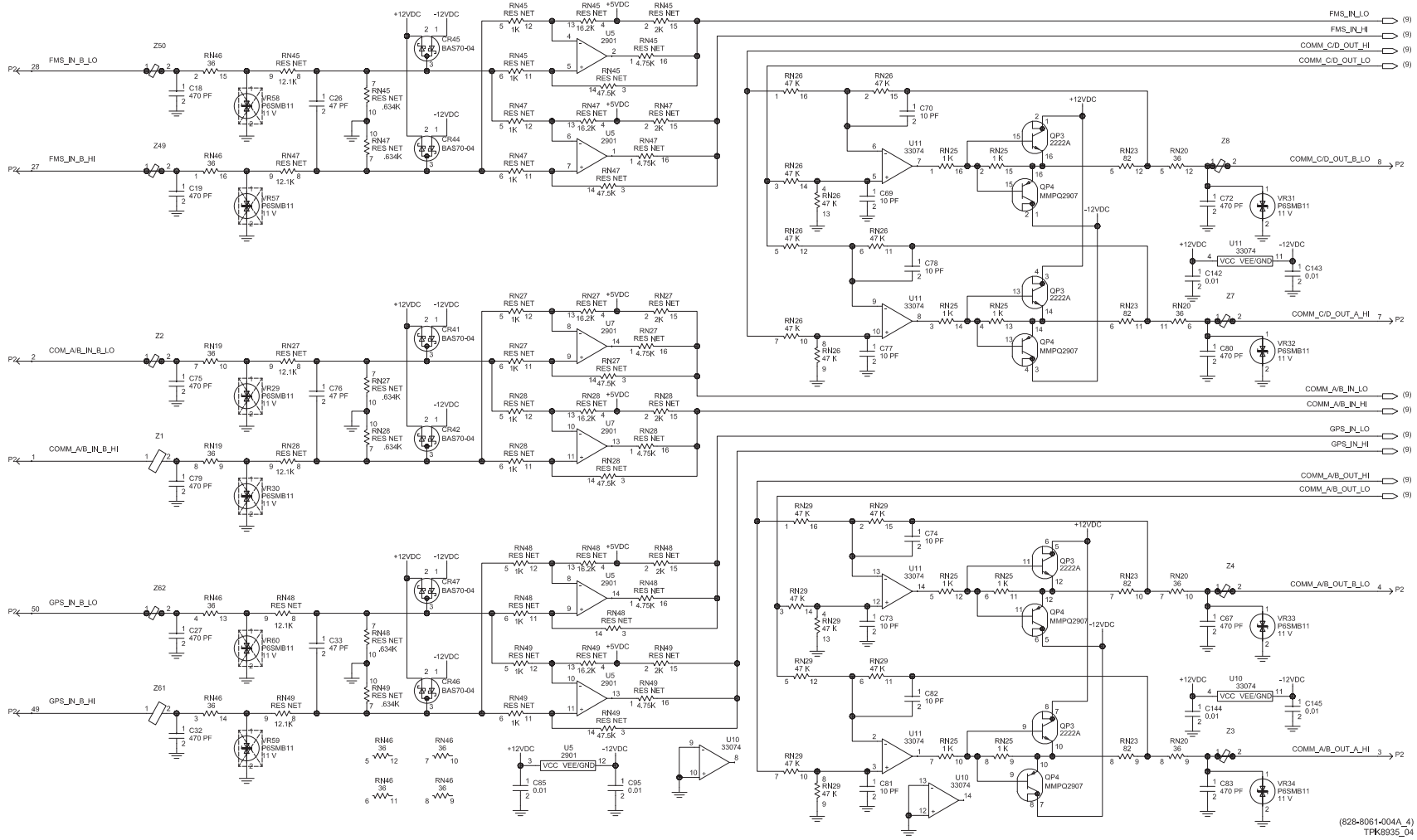
Page 2146.13/
 2146.14
 May 20/10

ROCKWELL COLLINS
COMPONENT MAINTENANCE MANUAL with IPL
TDR-94, PART NO 622-9352



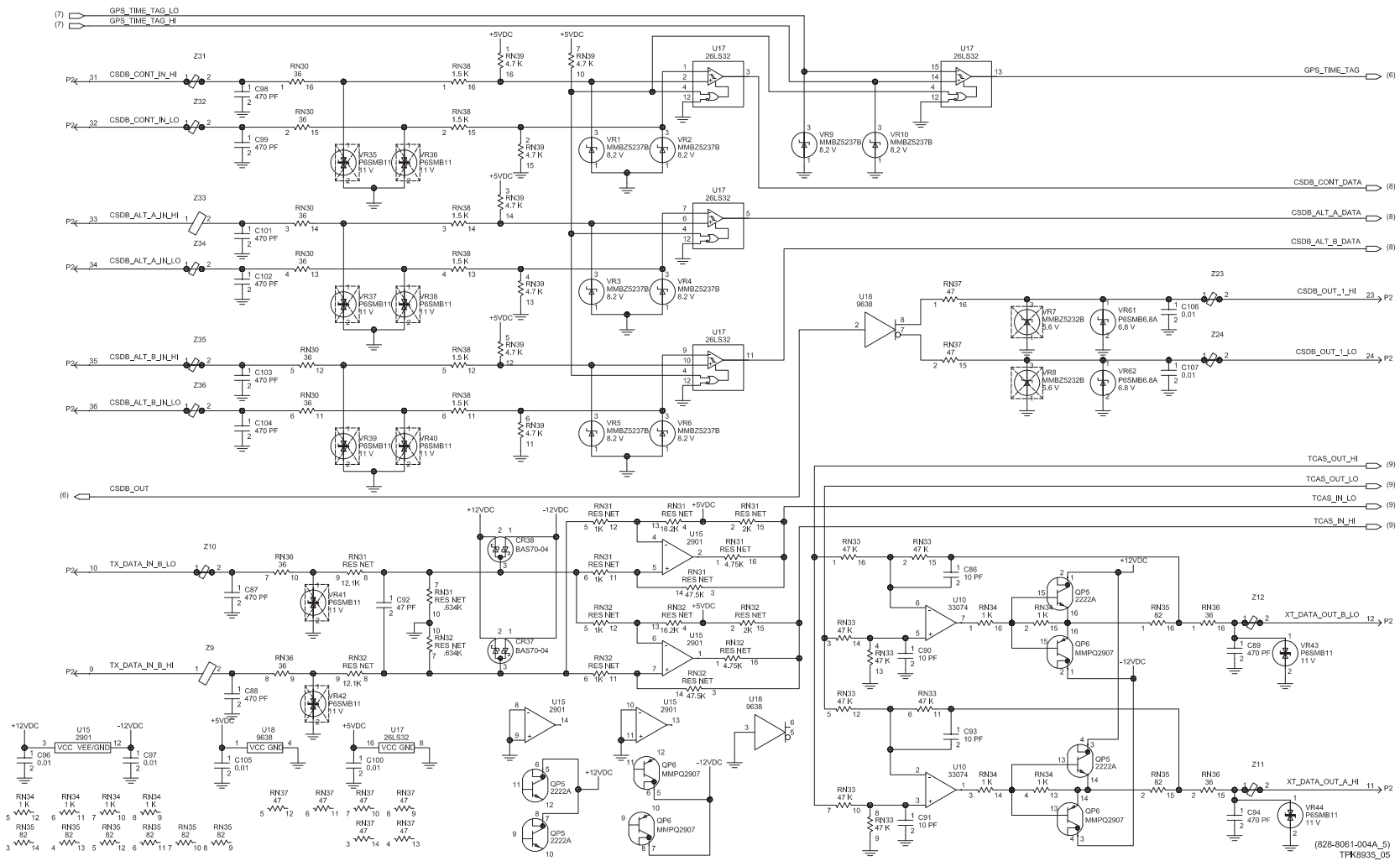
CPU-I/O Programmed Assembly A5 (CPN 653-3674-025, -026) and CPU-I/O Circuit
 Card A5A1 (CPN 828-2700-004), Schematic Diagram
 Figure 2021.2 (Sheet 3 of 9)/GRAPHIC 34-50-96-99B-099-A01

ROCKWELL COLLINS
COMPONENT MAINTENANCE MANUAL with IPL
TDR-94, PART NO 622-9352



CPU-I/O Programmed Assembly A5 (CPN 653-3674-025, -026) and CPU-I/O Circuit Card A5A1 (CPN 828-2700-004), Schematic Diagram
 Figure 2021.2 (Sheet 4 of 9)/GRAPHIC 34-50-96-99B-099-A01

ROCKWELL COLLINS
COMPONENT MAINTENANCE MANUAL with IPL
TDR-94, PART NO 622-9352

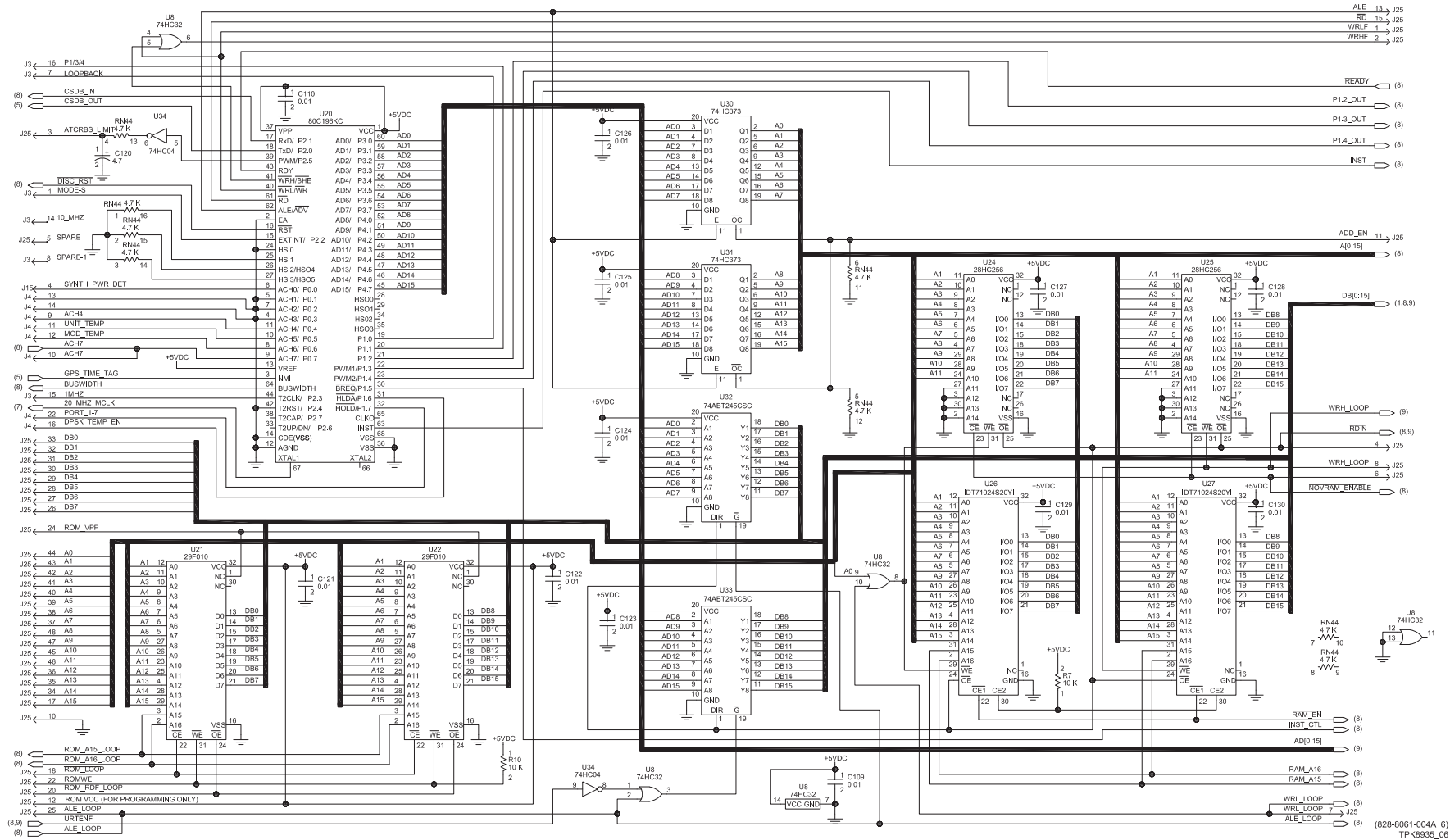


GPU-I/O Programmed Assembly A5 (CPN 653-3674-025, -026) and CPU-I/O Circuit
 Card A5A1 (CPN 828-2700-004), Schematic Diagram
 Figure 2021.2 (Sheet 5 of 9)/GRAPHIC 34-50-96-99B-099-A01

34-50-96

Page 2146.1/
 2146.20
 May 20/10

ROCKWELL COLLINS
COMPONENT MAINTENANCE MANUAL with IPL
TDR-94, PART NO 622-9352

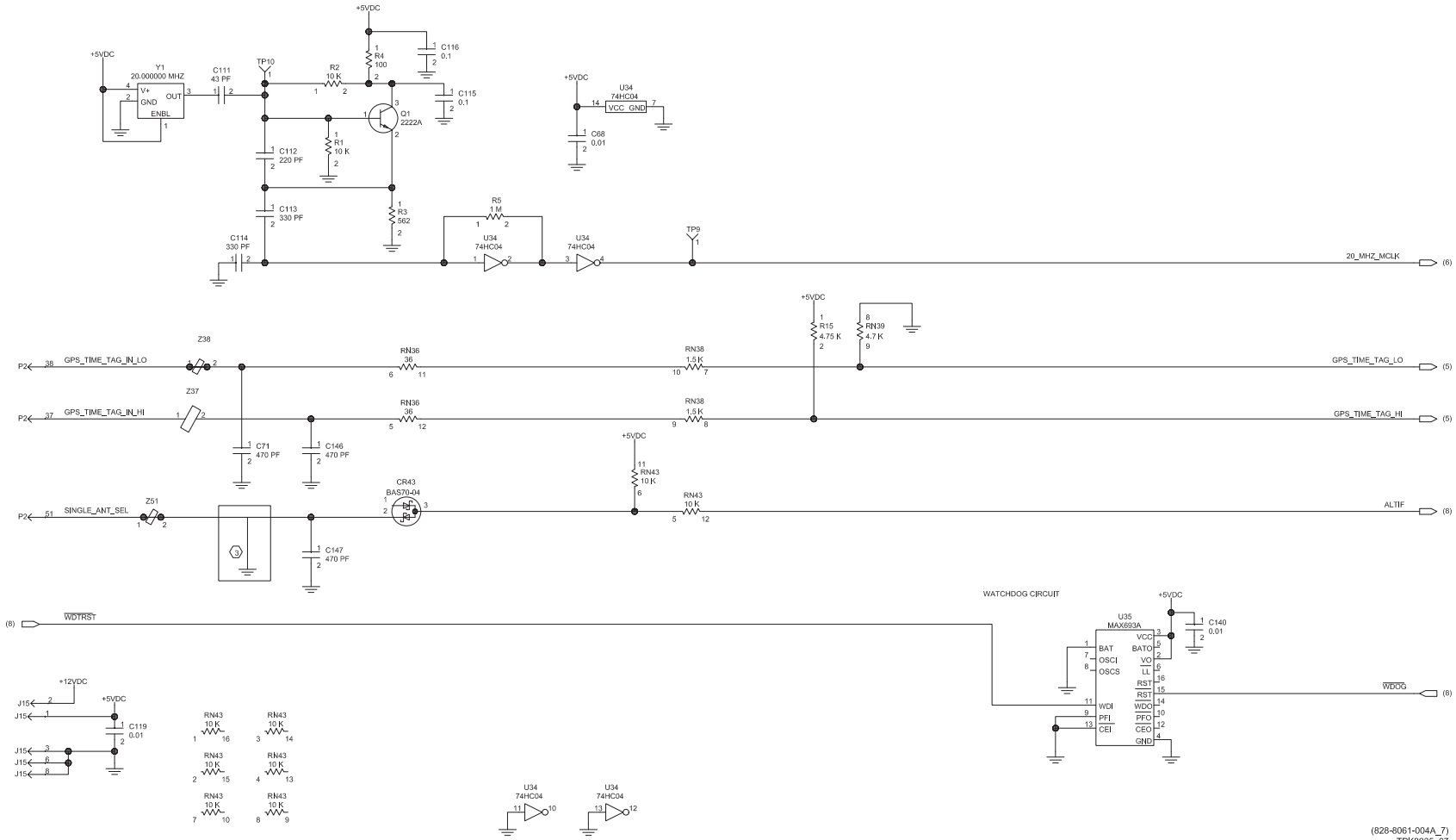


CPU-I/O Programmed Assembly A5 (CPN 653-3674-025, -026) and CPU-I/O Circuit
 Card A5A1 (CPN 828-2700-004), Schematic Diagram
 Figure 2021.2 (Sheet 6 of 9)/GRAPHIC 34-50-96-99B-099-A01

34-50-96

(828-8061-004A_6)
 TPK8935_06

ROCKWELL COLLINS
COMPONENT MAINTENANCE MANUAL with IPL
TDR-94, PART NO 622-9352



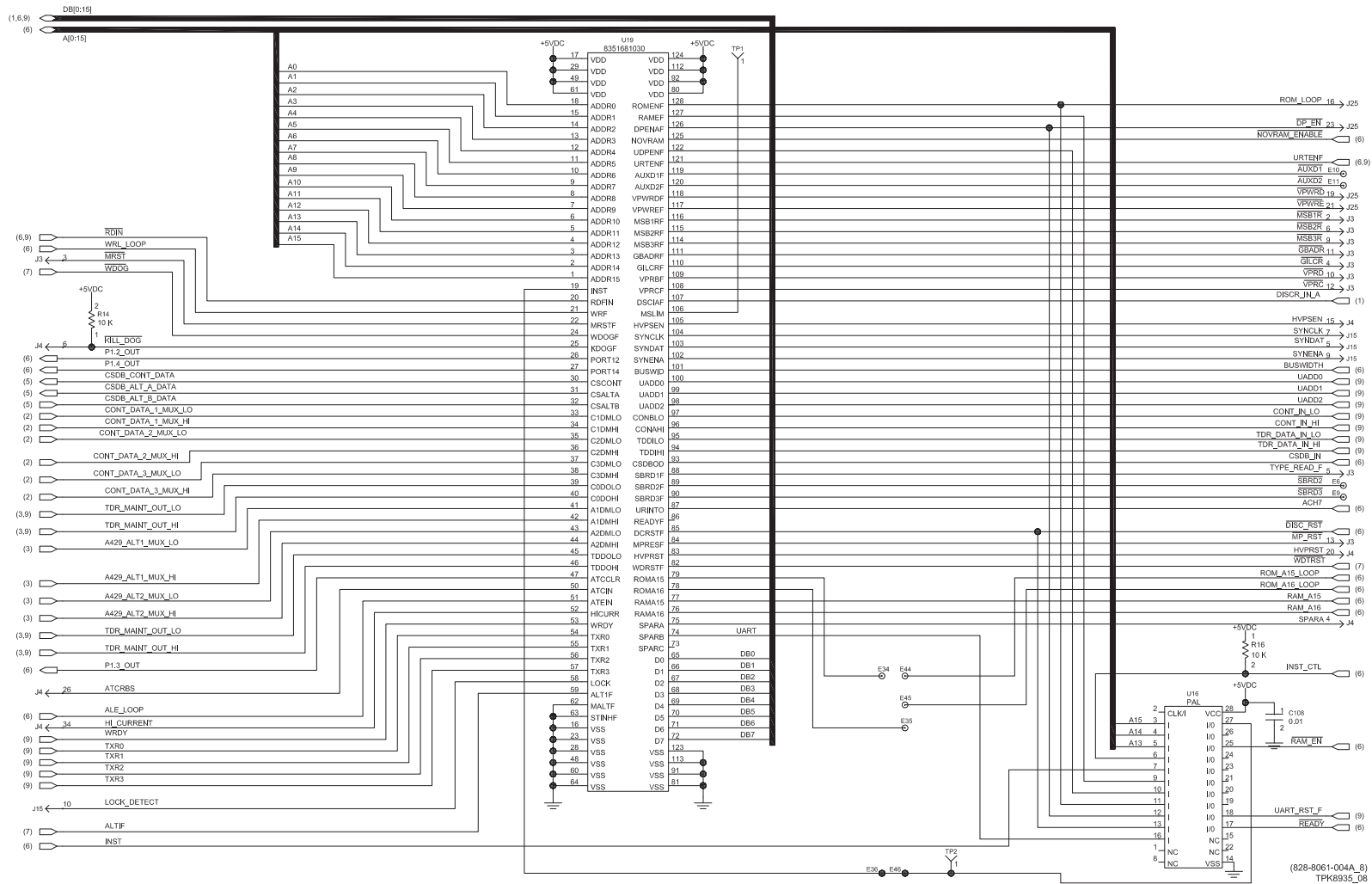
(828-8061-004A_7)
 TPK6935_07

CPU-I/O Programmed Assembly A5 (CPN 653-3674-025, -026) and CPU-I/O Circuit Card A5A1 (CPN 828-2700-004), Schematic Diagram
 Figure 2021.2 (Sheet 7 of 9)/GRAPHIC 34-50-96-99B-099-A01

34-50-96

Page 2146.23/
 2146.24
 May 20/10

ROCKWELL COLLINS
COMPONENT MAINTENANCE MANUAL with IPL
TDR-94, PART NO 622-9352

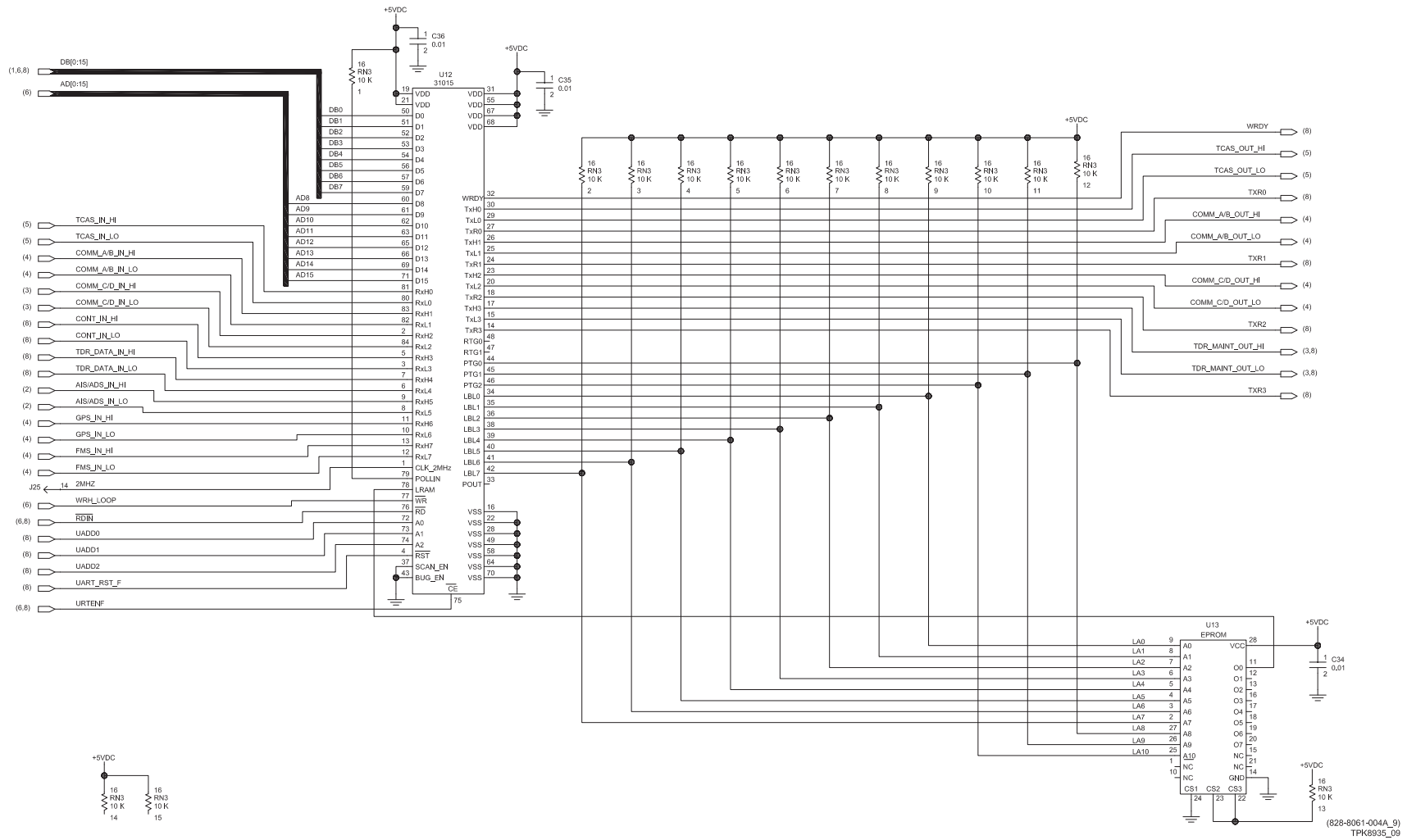


CPU-I/O Programmed Assembly A5 (CPN 653-3674-025, -026) and CPU-I/O Circuit
 Card A5A1 (CPN 828-2700-004), Schematic Diagram
 Figure 2021.2 (Sheet 8 of 9)/GRAPHIC 34-50-96-99B-099-A01

34-50-96

Page 2146.25/
 2146.26
 May 20/10

ROCKWELL COLLINS
COMPONENT MAINTENANCE MANUAL with IPL
TDR-94, PART NO 622-9352



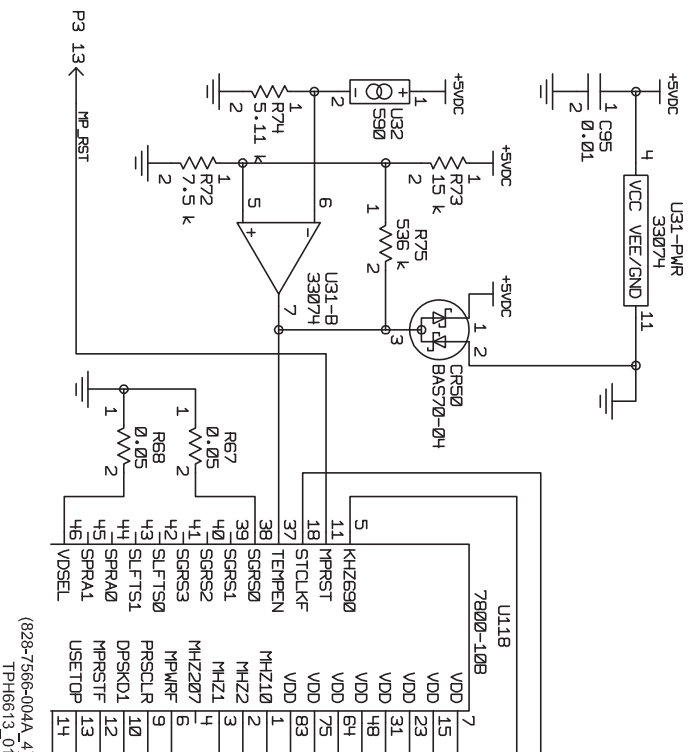
CPU-I/O Programmed Assembly A5 (CPN 653-3674-025, -026) and CPU-I/O Circuit
 Card A5A1 (CPN 828-2700-004), Schematic Diagram
 Figure 2021.2 (Sheet 9 of 9)/GRAPHIC 34-50-96-99B-099-A01

34-50-96

ROCKWELL COLLINS
COMPONENT MAINTENANCE MANUAL with IPL
TDR-94, PART NO 622-9352

MAINTENANCE AID/SCHEMATIC CHANGES

REVISION IDENT (SHEET)	DESCRIPTION OF REVISION AND CAUSE FOR CHANGE	SERVICE BULLETIN	EFFECTIVITY MARKING
N/A	Released to production.		REV B
N/A	Corrected data entry.		REV C
D (4)	Deleted U31 and U32 and associated components C95, CR50, and R72 thru R75. See partial schematic below before these changes.		REV D



Partial Schematic of Video Processor Circuit Card A6, (CPN 687-0726-004 at REV D)
Figure 2022/GRAPHIC 34-50-96-99B-057-A01

Video Processor Circuit Card A6 (CPN 687-0726-004), Maintenance Aid and Schematic Changes
Cont.
Table 2013/Table 34-50-96-99A-024-A01

**ROCKWELL COLLINS
COMPONENT MAINTENANCE MANUAL with IPL
TDR-94, PART NO 622-9352**

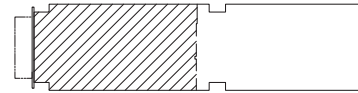
MAINTENANCE AID/SCHEMATIC CHANGES

REVISION IDENT (SHEET)	DESCRIPTION OF REVISION AND CAUSE FOR CHANGE	SERVICE BULLETIN	EFFECTIVITY MARKING
E (2)	Changed value of C217 and C218 from 220 pF to 0.0015 F to meet MOPS requirements. C217 and C218 are secured to board using adhesive.		REV E
F (2)	Added C250 and C251 with sleeving on leads.		REV F
N/A	Added plugs to P20 positions 13 and 14 to reduce the potential of shorting these two pins.		REV G
N/A	Replace P3 with a new part number; old number is not procurable.		REV H
N/A	Production process changes to reduce radiated emissions.		REV J
N/A	Added mod label and service bulletin marking information.	15	REV K
N/A	Data entry error; corrected jumper location.		REV L
N/A	CPN of P3 changed from 653-3984-001 to 372-0033-750. This change was initiated by a production review.		REV M
N (2,3,4,5)	Made one cut and added five jumpers wires to circuit card. This modification connects NOR gates U24C and U24D between U108-6 and the R53/R294 junction to correct an intermittent TCAS bus failure problem.	21	REV N
P (2)	U215 changes from 74HC4316 to MC74HC4316AD. The component being replaced is no longer procurable.		REV P
R (5)	U24 changes from 74HC02 to SN74HC02D. This changes was made to improve production yield.		REV R

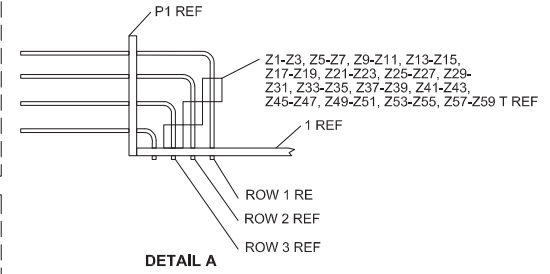
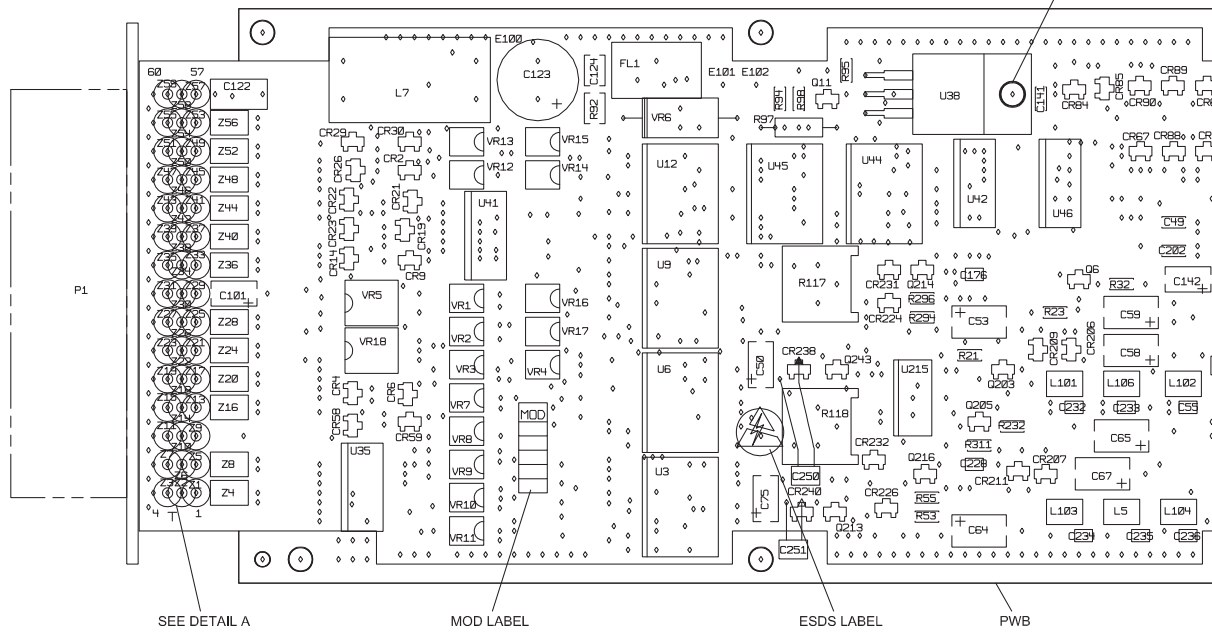
Video Processor Circuit Card A6 (CPN 687-0726-004), Maintenance Aid and Schematic Changes
Table 2013/Table 34-50-96-99A-024-A01

34-50-96

ROCKWELL COLLINS
 COMPONENT MAINTENANCE MANUAL with IPL
 TDR-94, PART NO 622-9352



TOP
 4-40 HEX NUT
 FLAT WASHER
 BOTTOM
 4-40 X .3125 IN SCREW

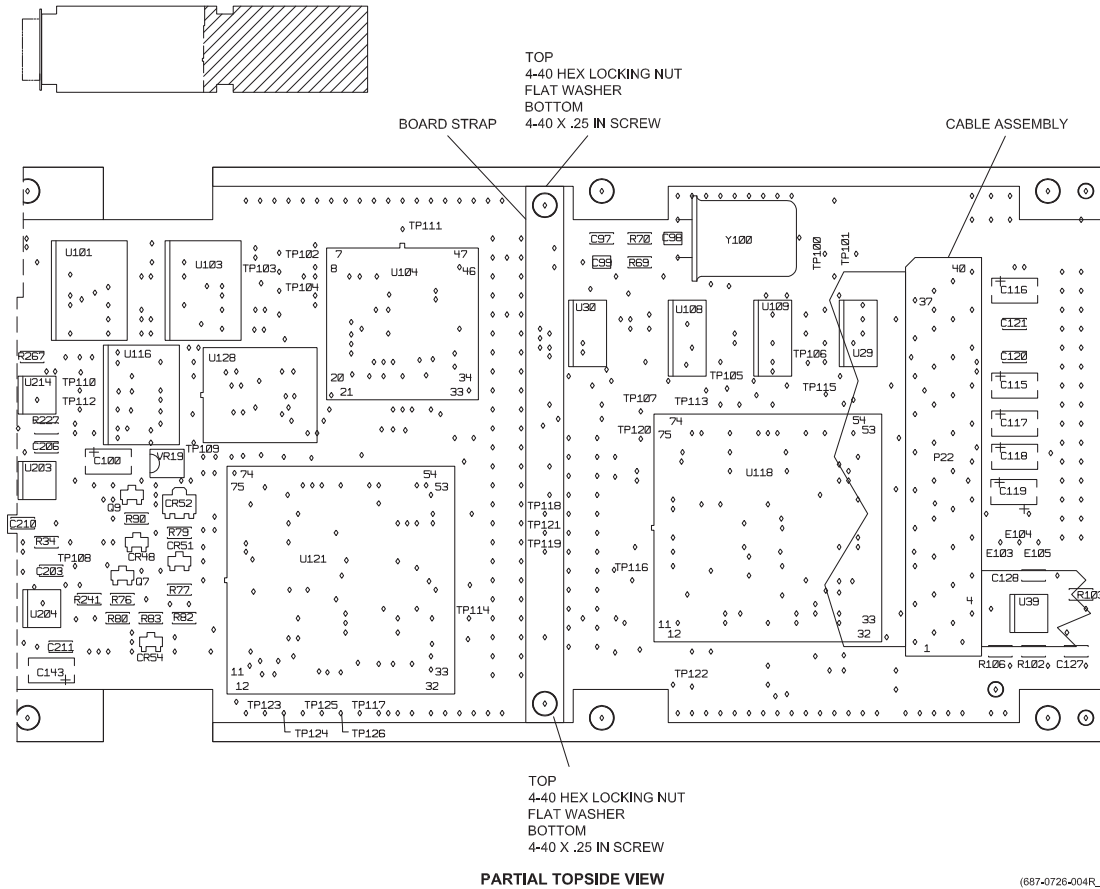


PARTIAL TOPSIDE VIEW

(687-0726-004R_4)
 CG0-4825-04-AC-01

Video Processor Circuit Card A6 (CPN 687-0726-004), Maintenance Aid Diagram
 Figure 2023 (Sheet 1 of 4)/GRAPHIC 34-50-96-99B-058-A01

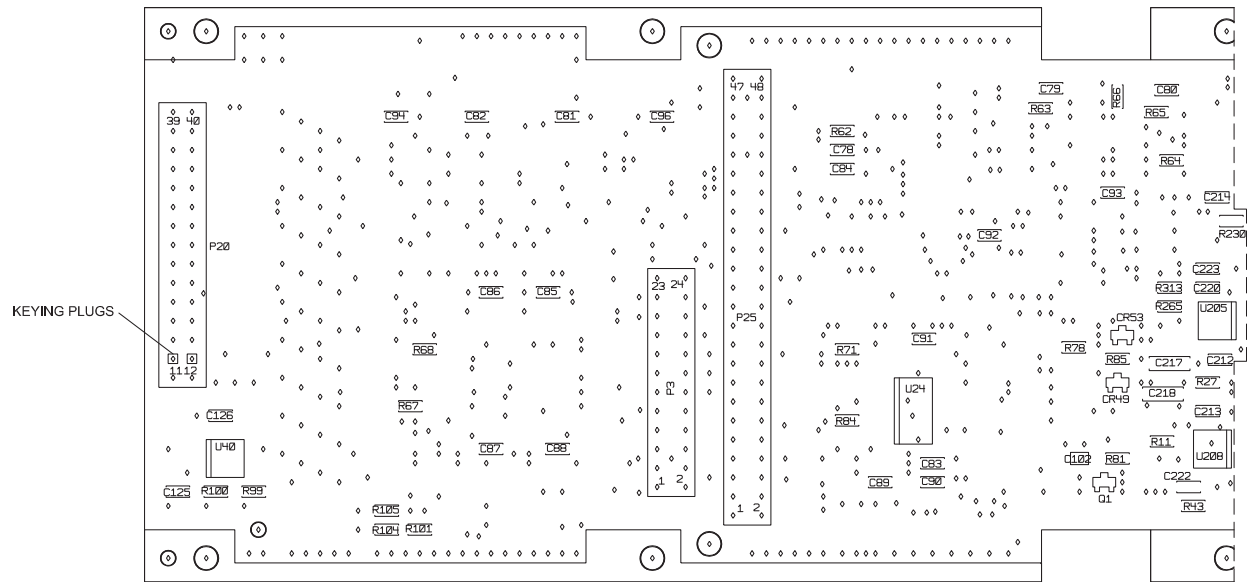
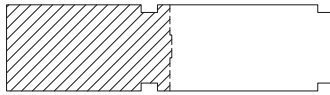
ROCKWELL COLLINS
 COMPONENT MAINTENANCE MANUAL with IPL
 TDR-94, PART NO 622-9352



(687-0726-004R_4)
 CGO-4825-04-AC-02

Video Processor Circuit Card A6 (CPN 687-0726-004), Maintenance Aid Diagram
 Figure 2023 (Sheet 2 of 4)/GRAPHIC 34-50-96-99B-058-A01

ROCKWELL COLLINS
 COMPONENT MAINTENANCE MANUAL with IPL
 TDR-94, PART NO 622-9352

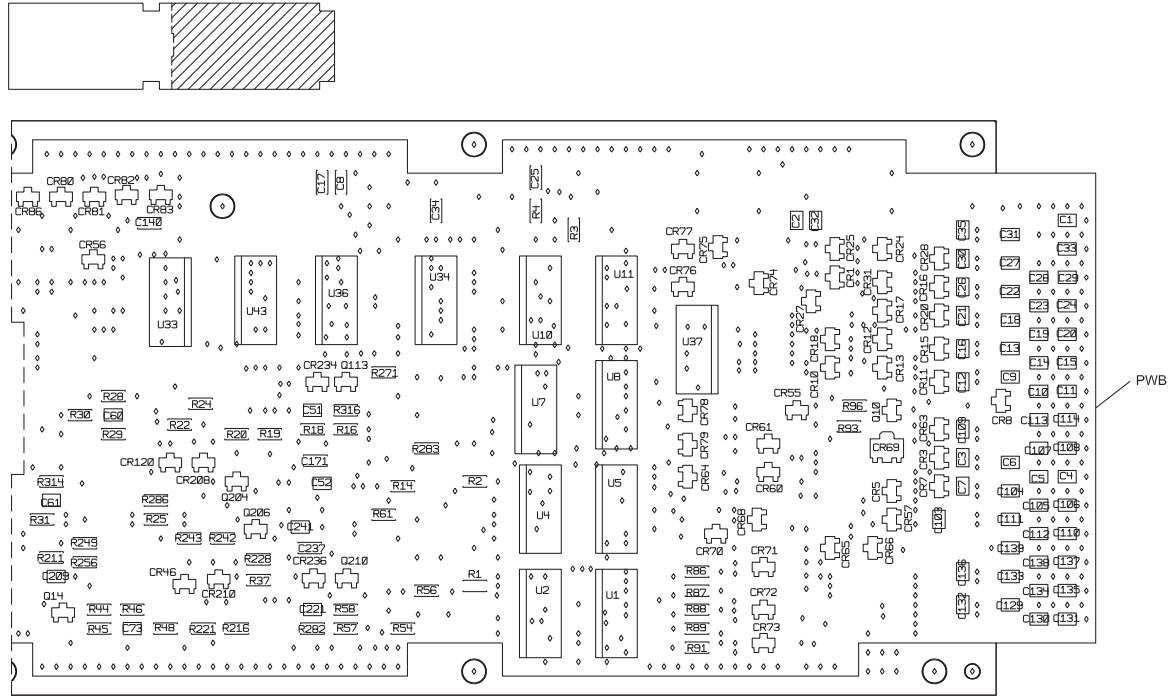


PARTIAL BACKSIDE VIEW

(687-0726-004R_5)
 CGO-4825-04-AC-03

Video Processor Circuit Card A6 (CPN 687-0726-004), Maintenance Aid Diagram
 Figure 2023 (Sheet 3 of 4)/GRAPHIC 34-50-96-99B-058-A01

ROCKWELL COLLINS
 COMPONENT MAINTENANCE MANUAL with IPL
 TDR-94, PART NO 622-9352

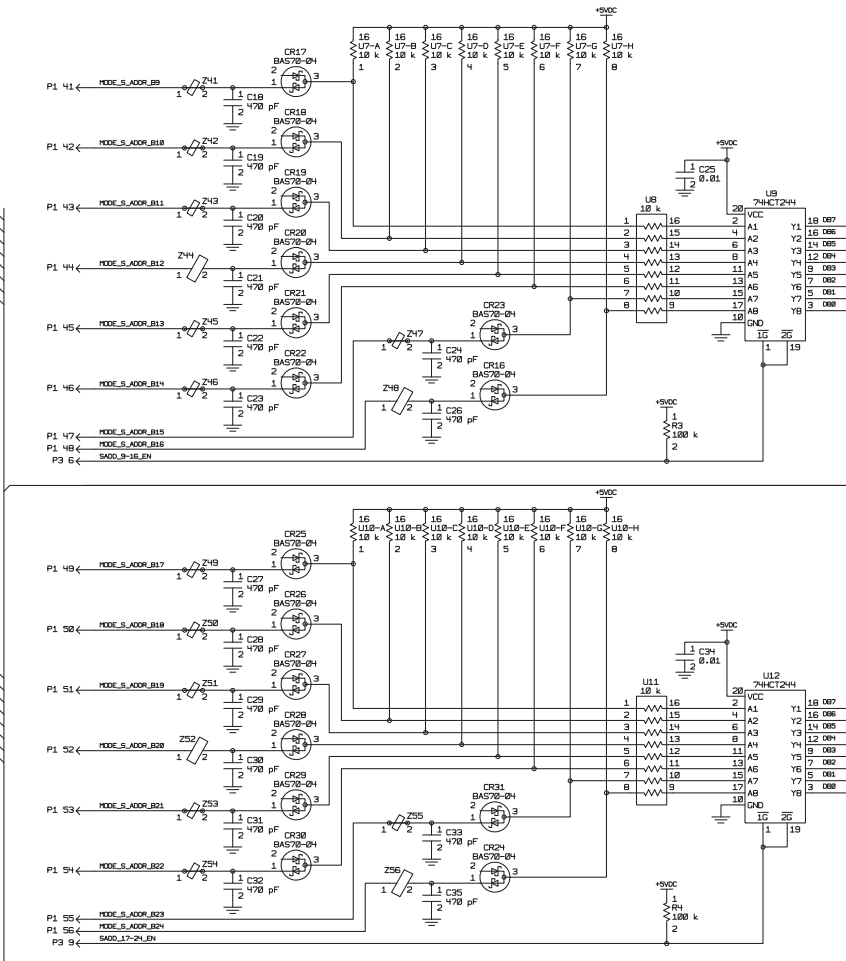
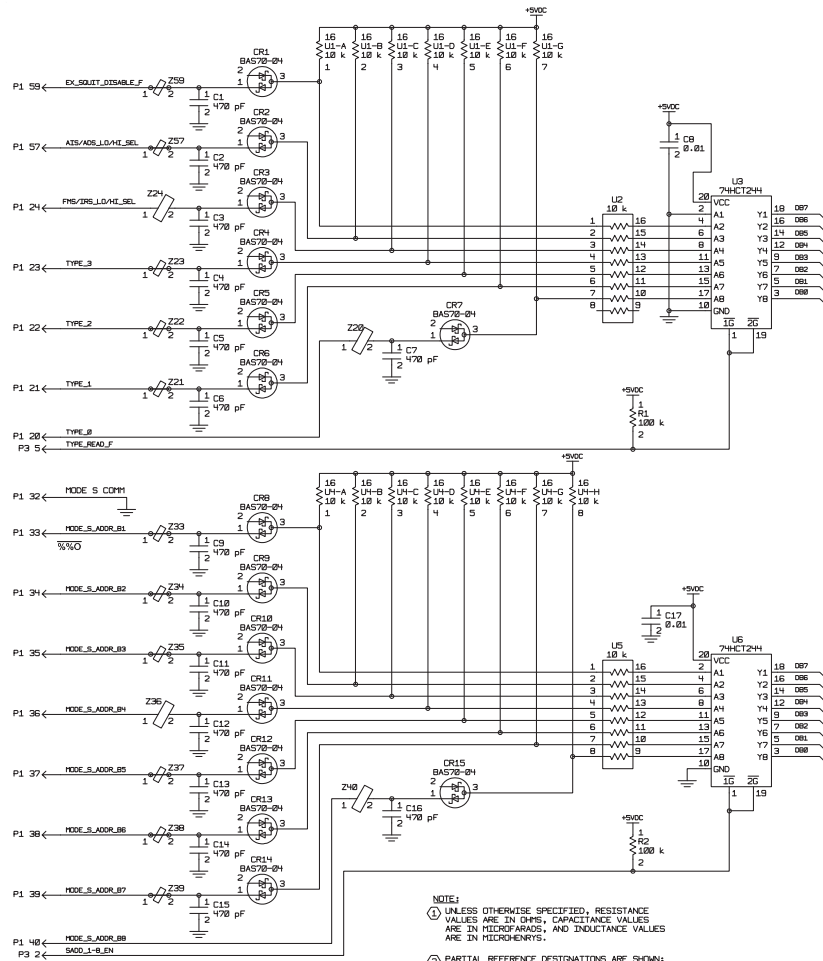


PARTIAL BACKSIDE VIEW

(687-0726-004R_5)
 CG0-4825-04-AC-04

Video Processor Circuit Card A6 (CPN 687-0726-004), Maintenance Aid Diagram
 Figure 2023 (Sheet 4 of 4)/GRAPHIC 34-50-96-99B-058-A01

ROCKWELL COLLINS
COMPONENT MAINTENANCE MANUAL with IPL
TDR-94, PART NO 622-9352

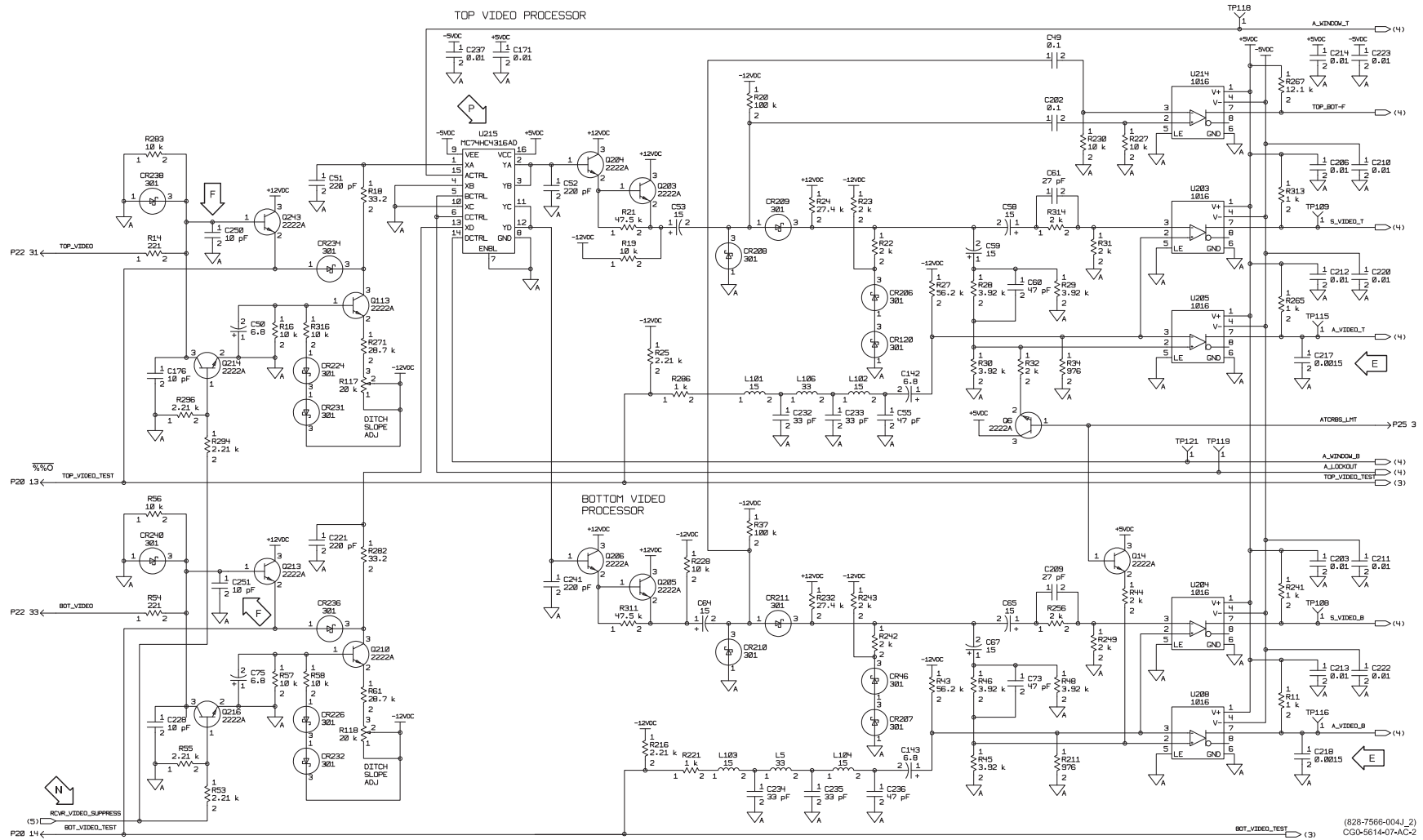


- NOTE:**
- ① UNLESS OTHERWISE SPECIFIED, RESISTANCE VALUES ARE IN OHMS, CAPACITANCE VALUES ARE IN MICROFARADS, AND INDUCTANCE VALUES ARE IN MICROHENRYS.
 - ② PARTIAL REFERENCE DESIGNATIONS ARE SHOWN FOR COMPLETE DESIGNATION, PREFIX WITH UNIT AND/OR ASSEMBLY DESIGNATION.
 - ③ TWISTED PAIR IN DASHED LINE TO BE USED AT A FUTURE DATE.

DBP-007 (13,7)
 (828-7566-004F)
 CGO-5614-07-AC-1

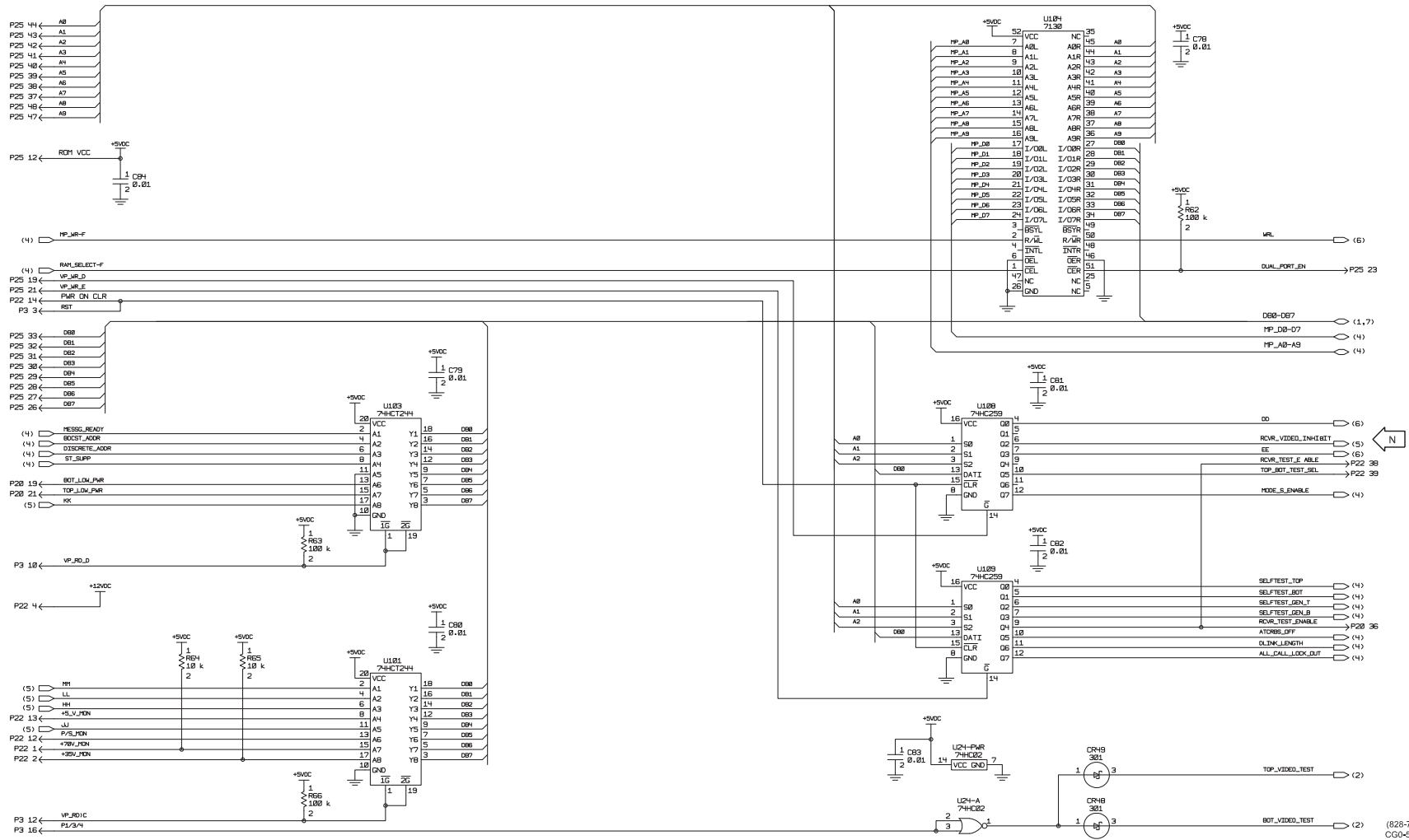
Video Processor Circuit Card A6 (CPN 687-0726-004), Schematic Diagram
 Figure 2024 (Sheet 1 of 7)/GRAPHIC 34-50-96-99B-059-A01

ROCKWELL COLLINS
COMPONENT MAINTENANCE MANUAL with IPL
 TDR-94, PART NO 622-9352



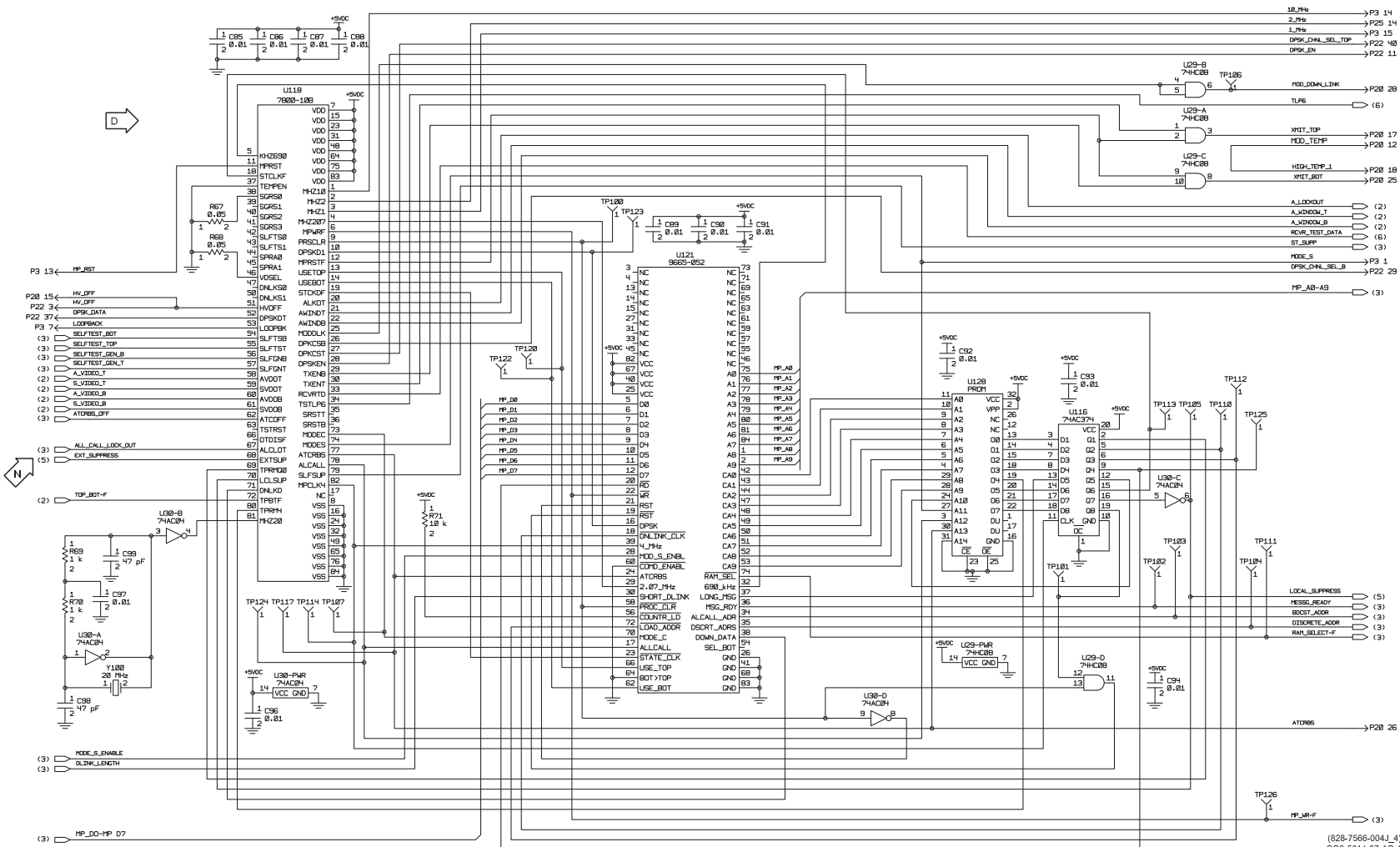
Video Processor Circuit Card A6 (CPN 687-0726-004), Schematic Diagram
 Figure 2024 (Sheet 2 of 7)/GRAPHIC 34-50-96-99B-059-A01

ROCKWELL COLLINS
 COMPONENT MAINTENANCE MANUAL with IPL
 TDR-94, PART NO 622-9352



Video Processor Circuit Card A6 (CPN 687-0726-004), Schematic Diagram
 Figure 2024 (Sheet 3 of 7)/GRAPHIC 34-50-96-99B-059-A01

ROCKWELL COLLINS
COMPONENT MAINTENANCE MANUAL with IPL
TDR-94, PART NO 622-9352



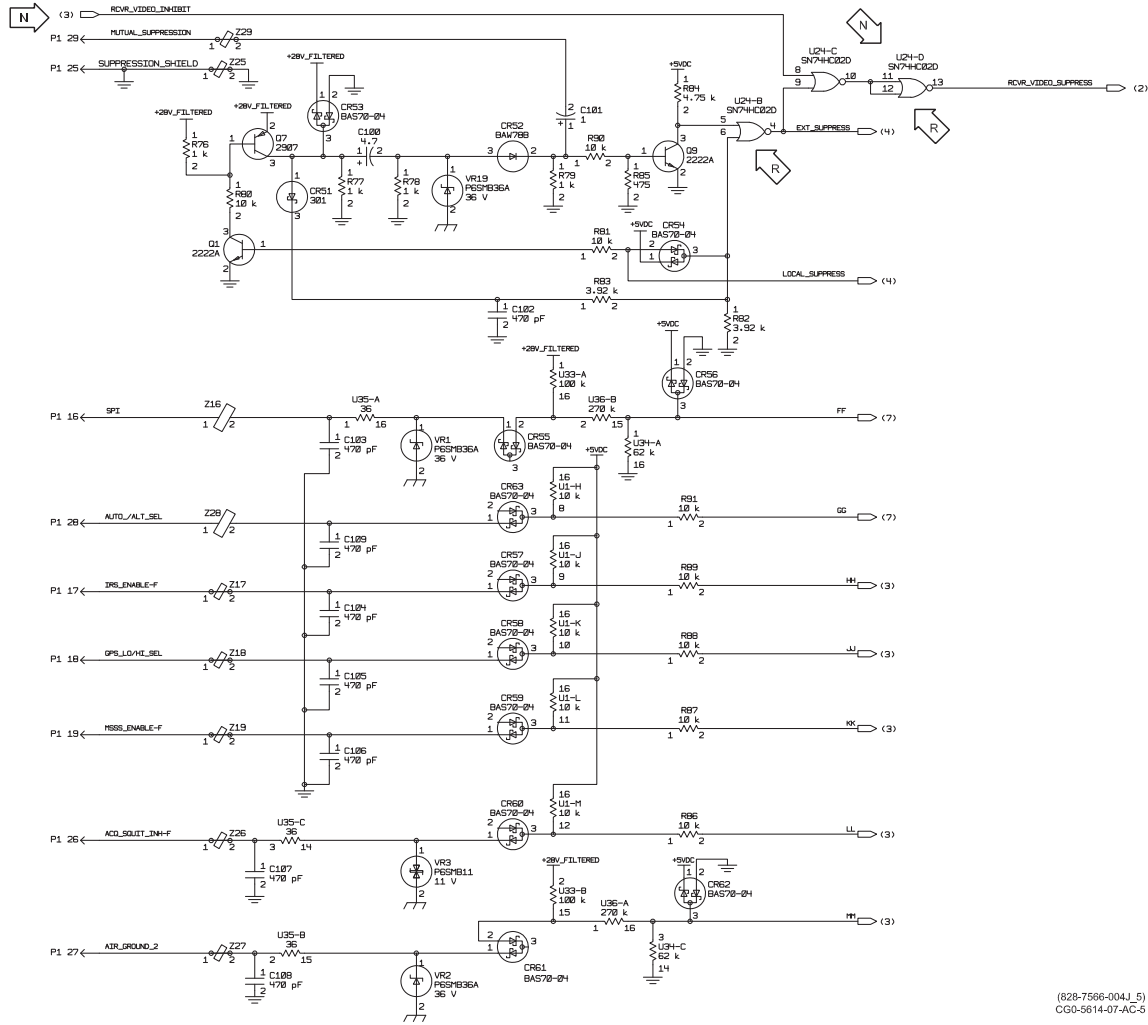
Video Processor Circuit Card A6 (CPN 687-0726-004), Schematic Diagram
Figure 2024 (Sheet 4 of 7)/GRAPHIC 34-50-96-99B-059-A01

34-50-96

Page 2163/2164
May 18/06

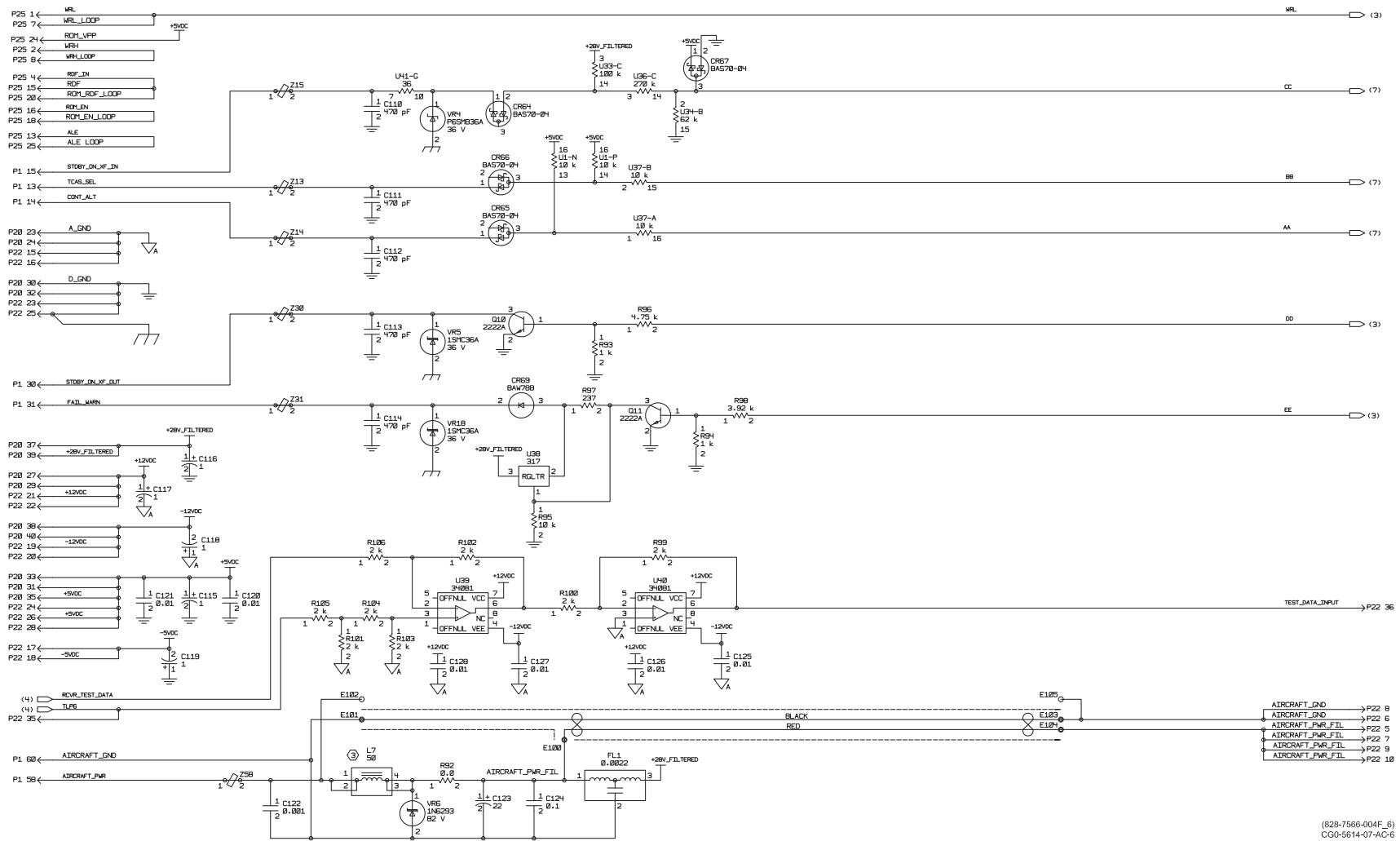
(828-7566-004)_4
CGO-5614-07-AC-4

ROCKWELL COLLINS
 COMPONENT MAINTENANCE MANUAL with IPL
 TDR-94, PART NO 622-9352



Video Processor Circuit Card A6 (CPN 687-0726-004), Schematic Diagram
 Figure 2024 (Sheet 5 of 7)/GRAPHIC 34-50-96-99B-059-A01

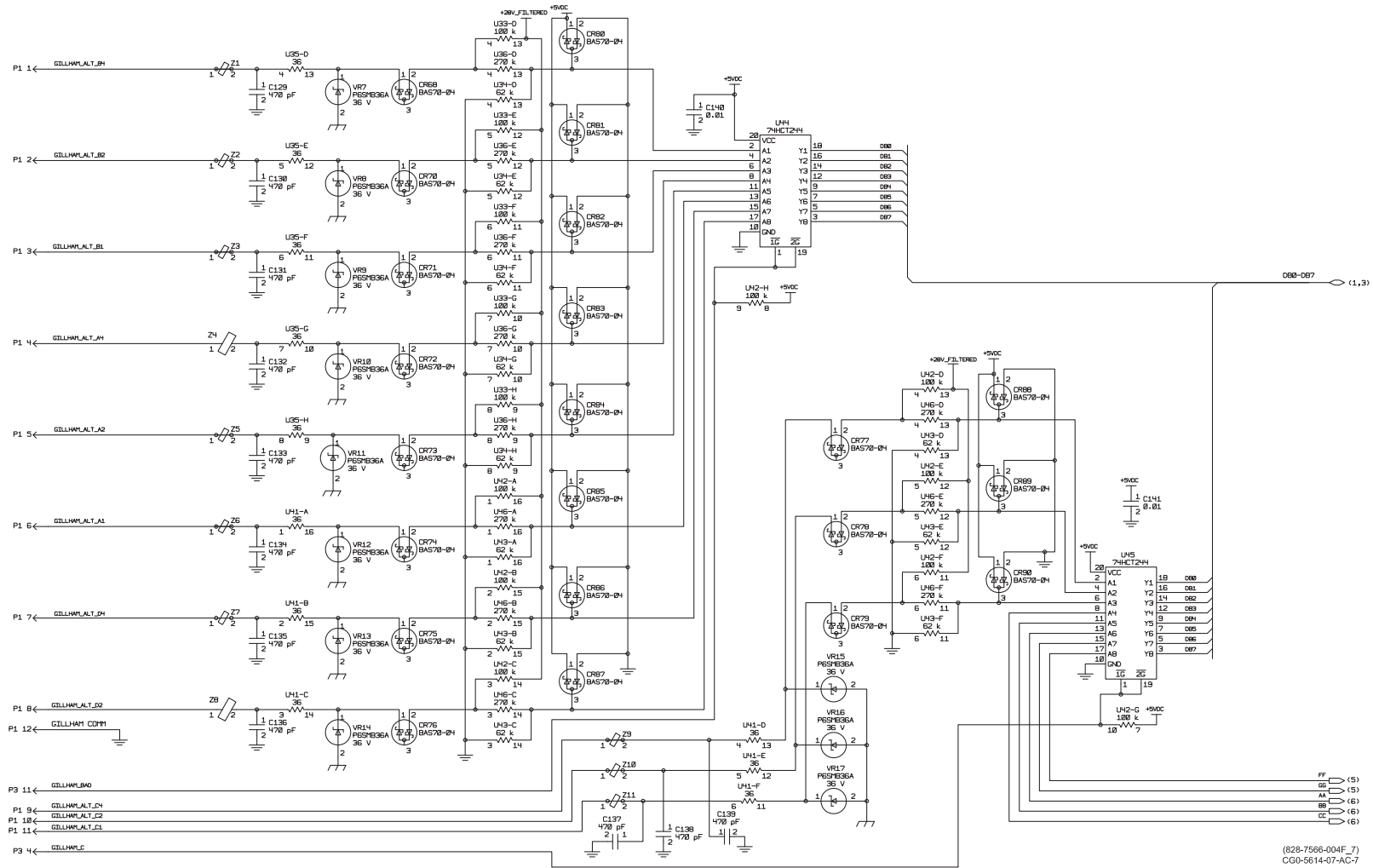
ROCKWELL COLLINS
 COMPONENT MAINTENANCE MANUAL with IPL
 TDR-94, PART NO 622-9352



(828-7566-004F_6)
 CG0-5614-07-AC-6

Video Processor Circuit Card A6 (CPN 687-0726-004), Schematic Diagram
 Figure 2024 (Sheet 6 of 7)/GRAPHIC 34-50-96-99B-059-A01

ROCKWELL COLLINS
COMPONENT MAINTENANCE MANUAL with IPL
TDR-94, PART NO 622-9352



Video Processor Circuit Card A6 (CPN 687-0726-004), Schematic Diagram
 Figure 2024 (Sheet 7 of 7)/GRAPHIC 34-50-96-99B-059-A01

34-50-96

(828-7566-004F_7)
 CGO-5614-07-AC-7

