

# **WRT-701X**

## **Exhibit D – Block Diagrams**

# WRT-701X

## Exhibit D – Block Diagrams

<b>Item</b>	<b>Photograph Description</b>	<b>Page</b>
D-1	A2 Power Supply	D-3
D-2	WRT-701X Receiver-Transmitter Simplified Block Diagram	D-4
D-3	WRT-701X RF Section Block Diagram	D-5
D-4	Sampler A31, Block Diagram	D-6
D-5	DSP A32 Block Diagram (CPN 828-0069-010)	D-7
D-6	Universal I/O A33 with EGPWS Capability Block Diagram (CPN 828-0133-003, -004, -005, -006, -007, -009, -010, and -020)	D-8
D-7	CPU A34 Detailed Block Diagram (CPN 828-0134-004, -005, -006, -010)	D-9
D-8	A51 RF Module Block Diagram	D-10
D-9	WRT-701X Receiver-Transmitter Simplified Block Diagram	D-11
D-10	WRT-701X RF Section Block Diagram	D-12

# WRT-701X

## Low Voltage Power Supply Block Diagram

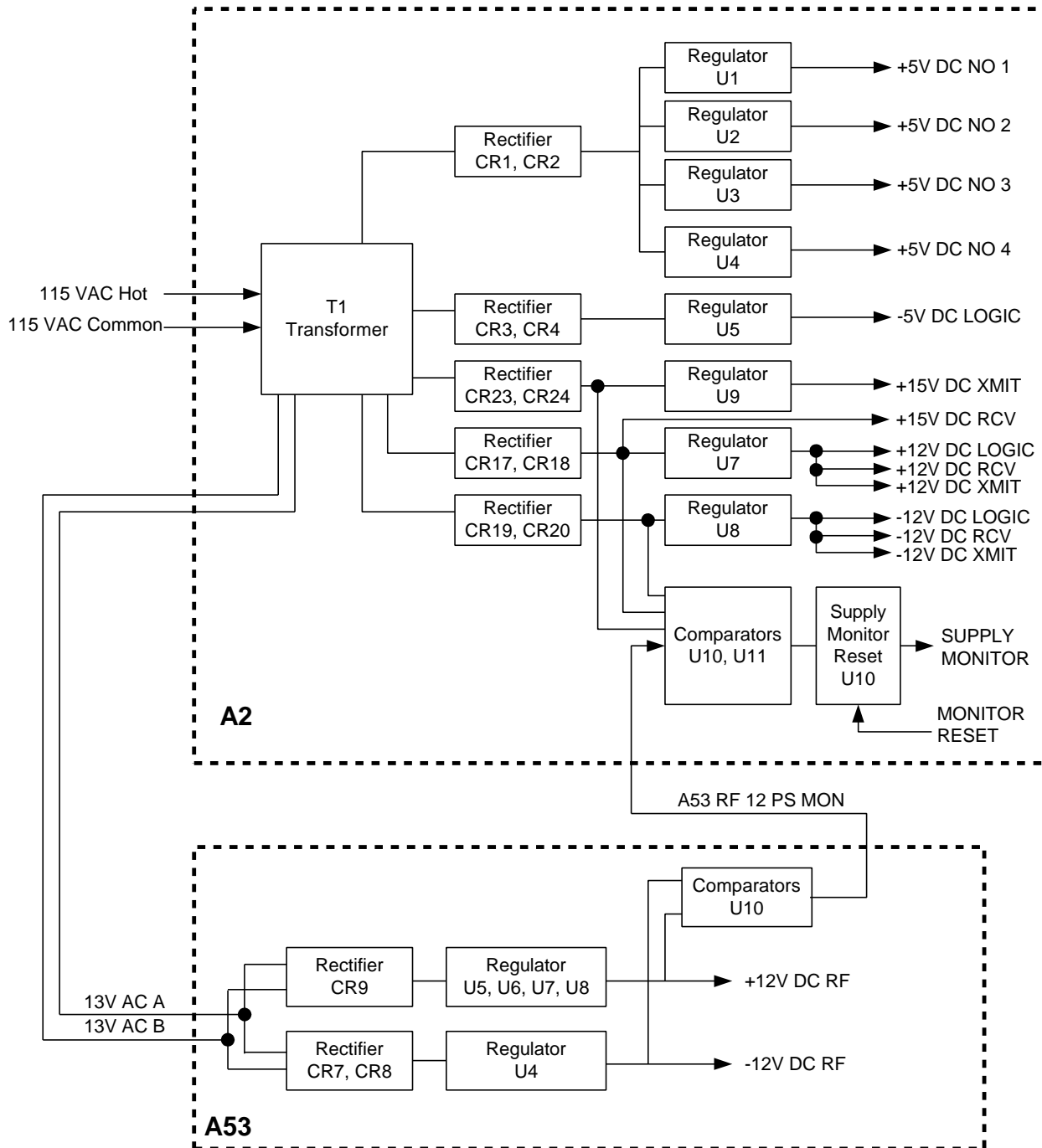


Exhibit D-1. A2 Power Supply

# WRT-701X

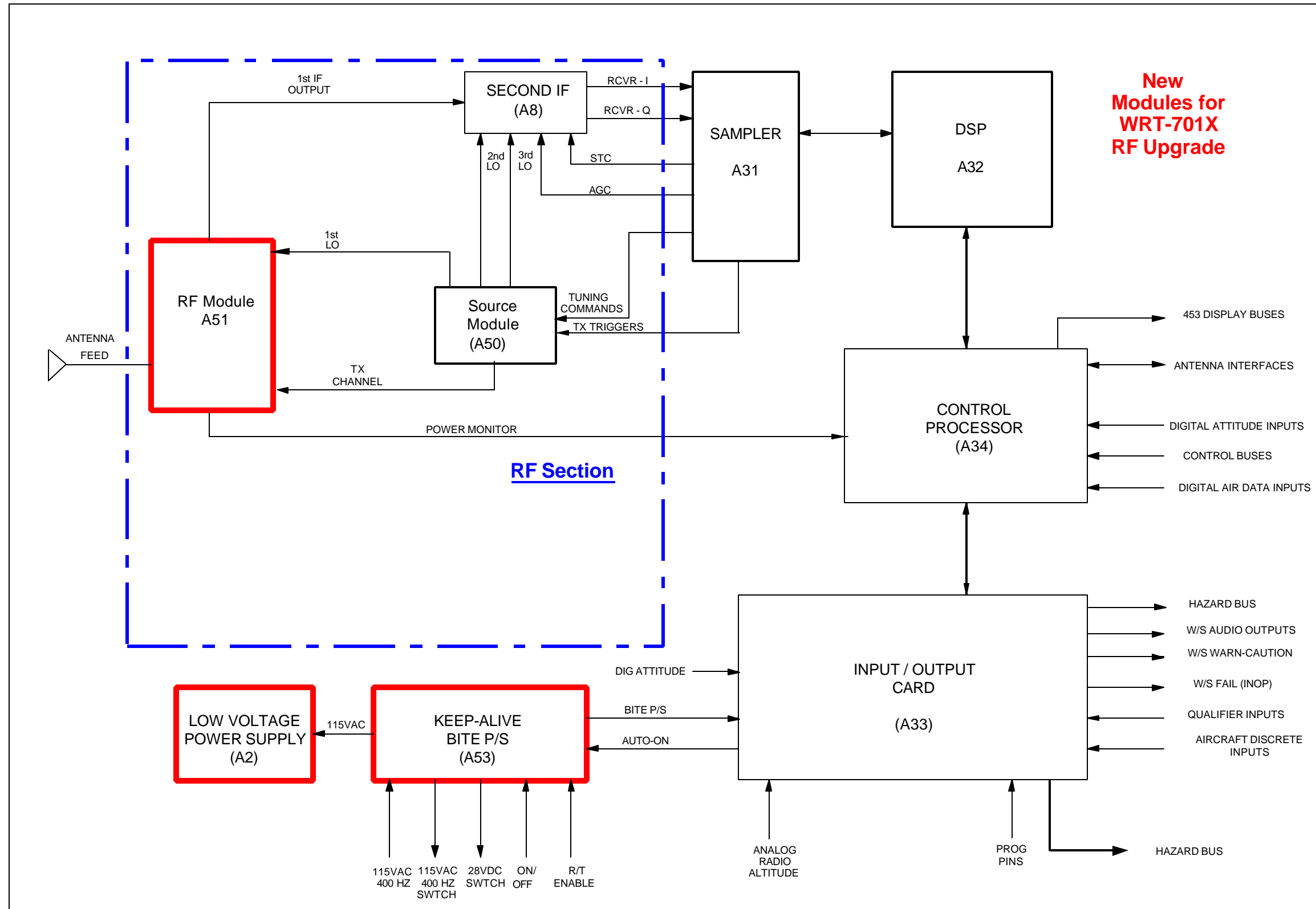


Exhibit D-2. WRT-701X Receiver-Transmitter Simplified Block Diagram

# WRT-701X

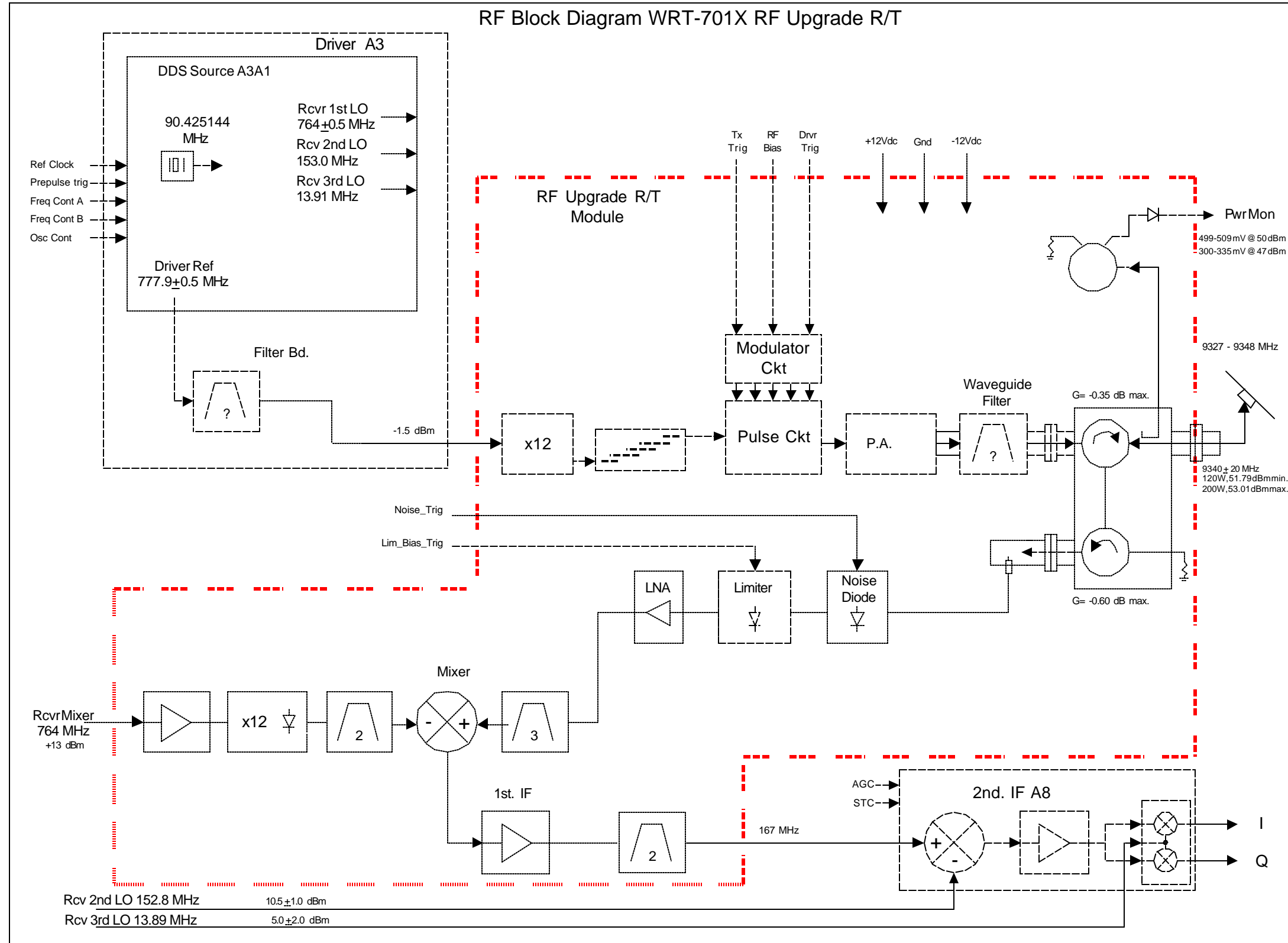


Exhibit D-3. WRT-701X RF Section Block Diagram

# WRT-701X

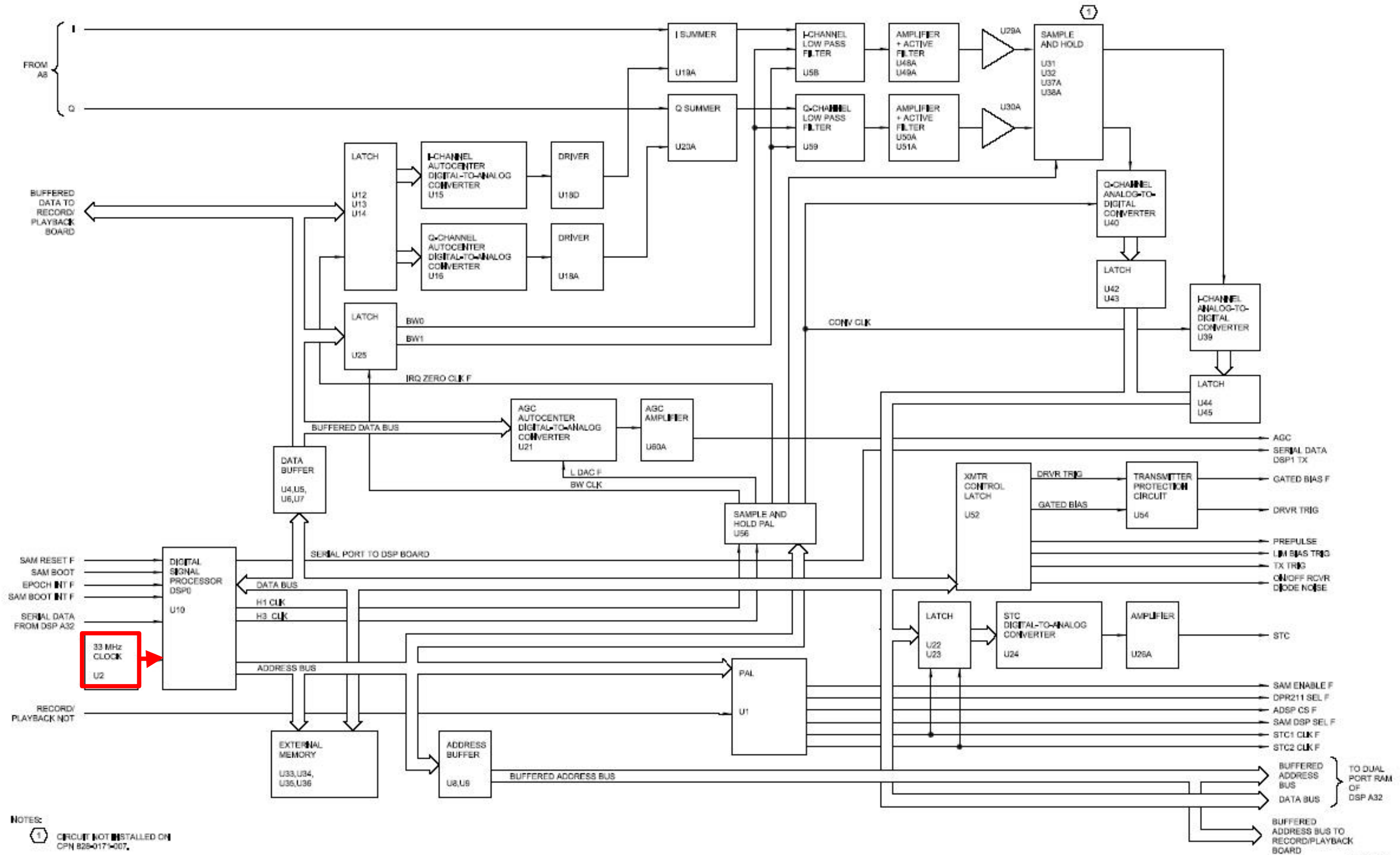


Exhibit D-4. Sampler A31, Block Diagram

# WRT-701X

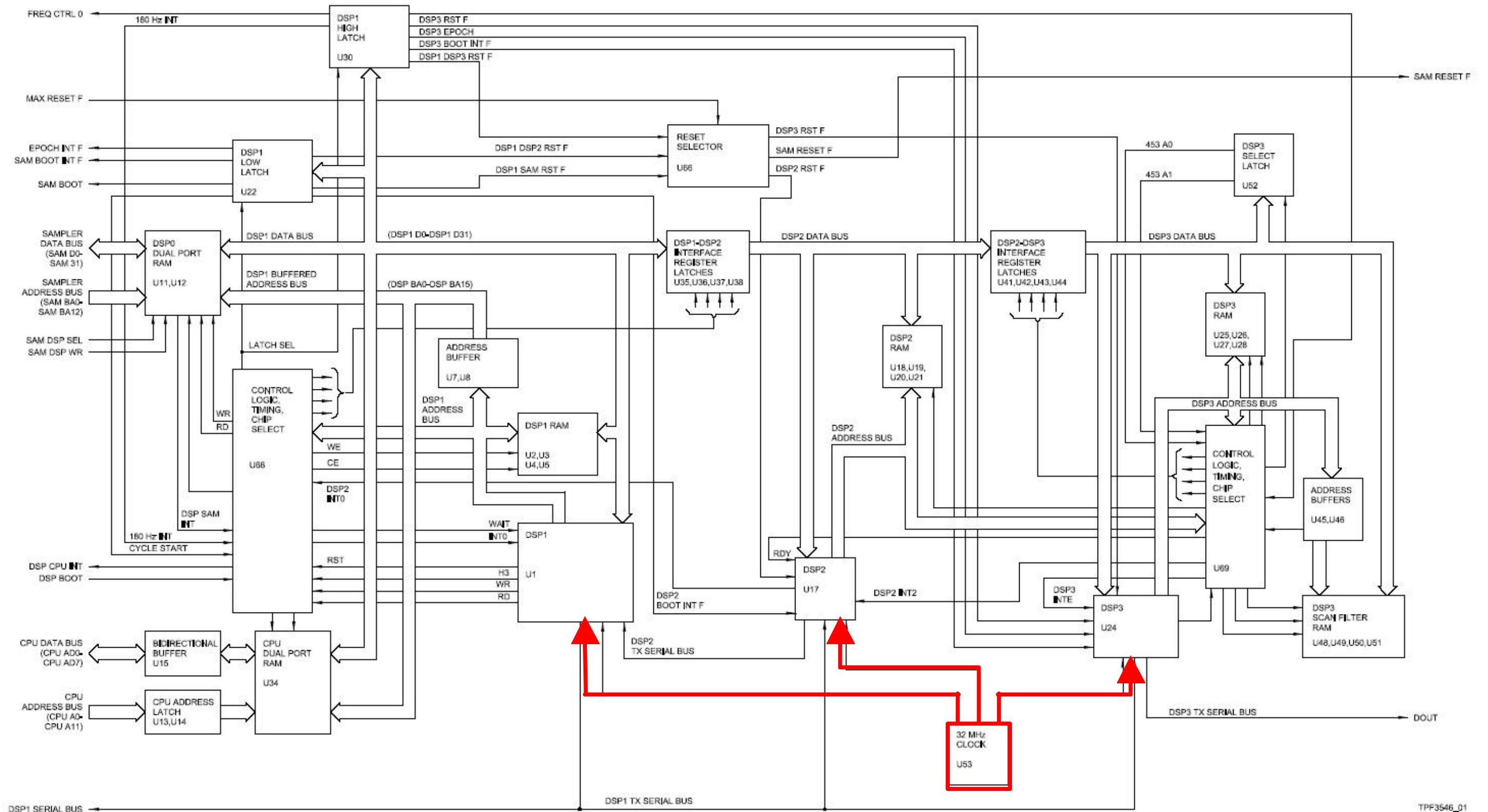


Exhibit D-5. DSP A32 Block Diagram (CPN 828-0069-010)

# WRT-701X

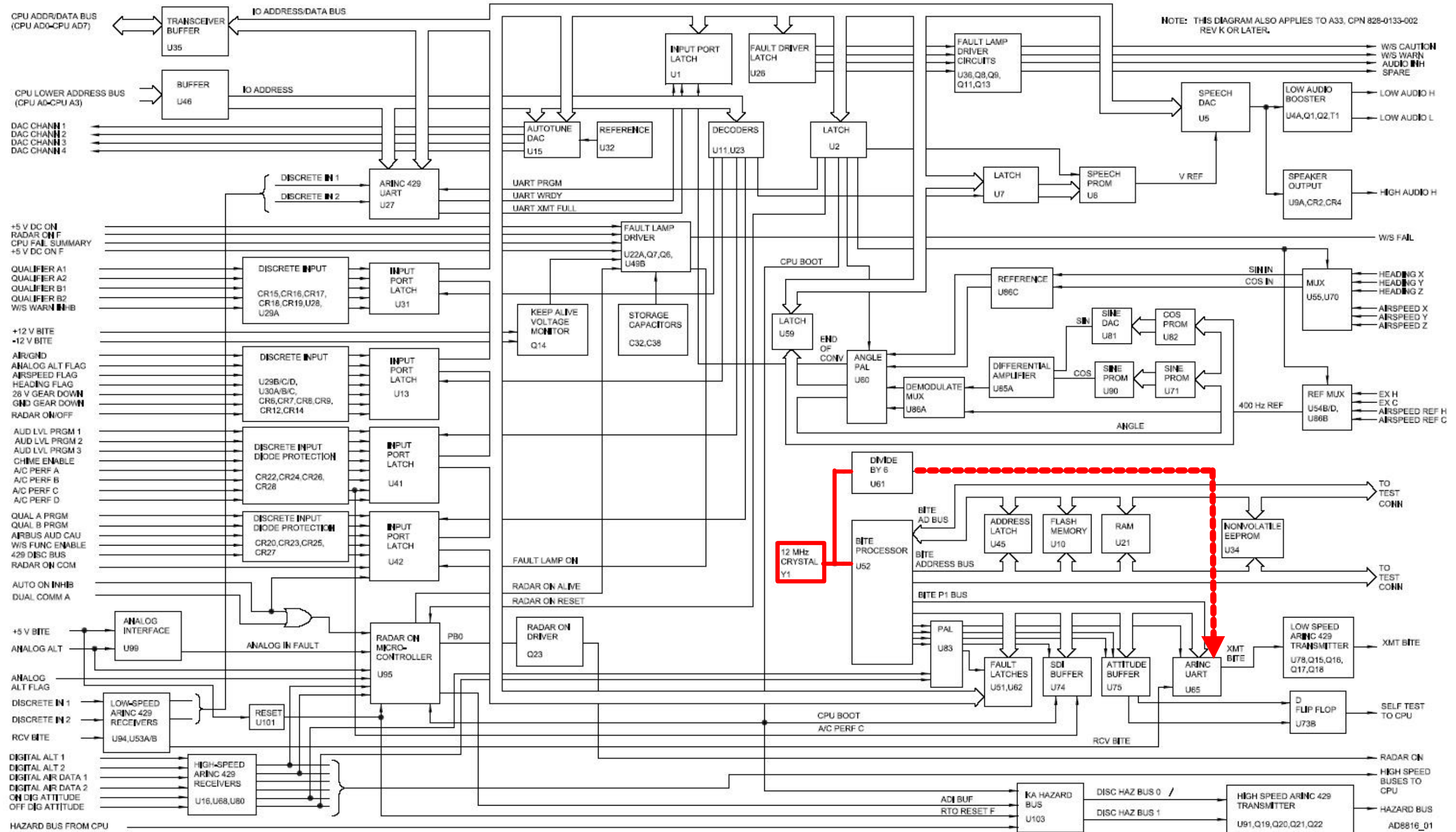


Exhibit D-6. Universal I/O A33 with EGPWS Capability Block Diagram (CPN 828-0133-003, -004, -005, -006, -007, -009, -010, and -020)



# WRT-701X

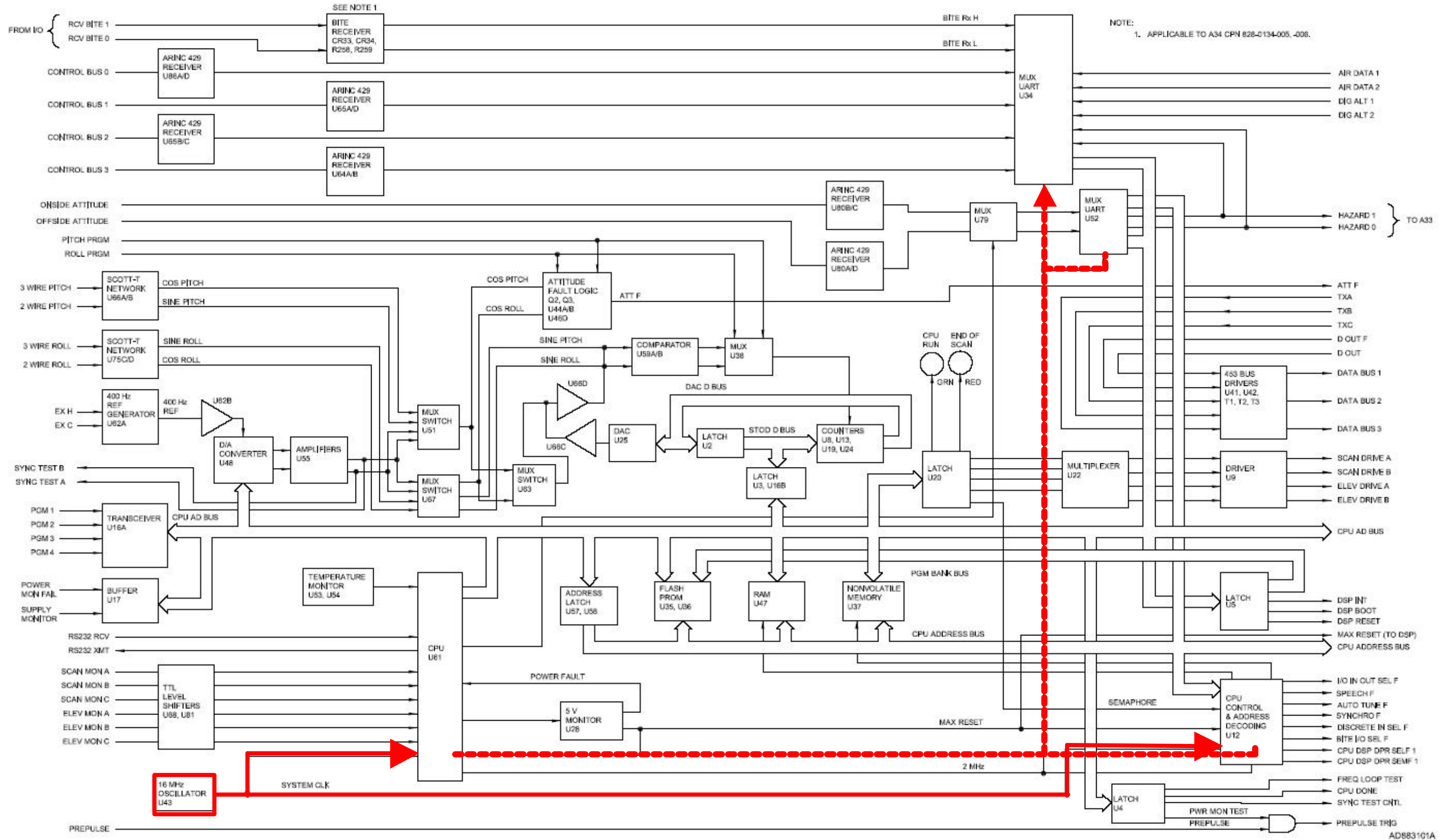


Exhibit D-7. CPU A34 Detailed Block Diagram  
(CPN 828-0134-004, -005, -006, -010)

# WRT-701X

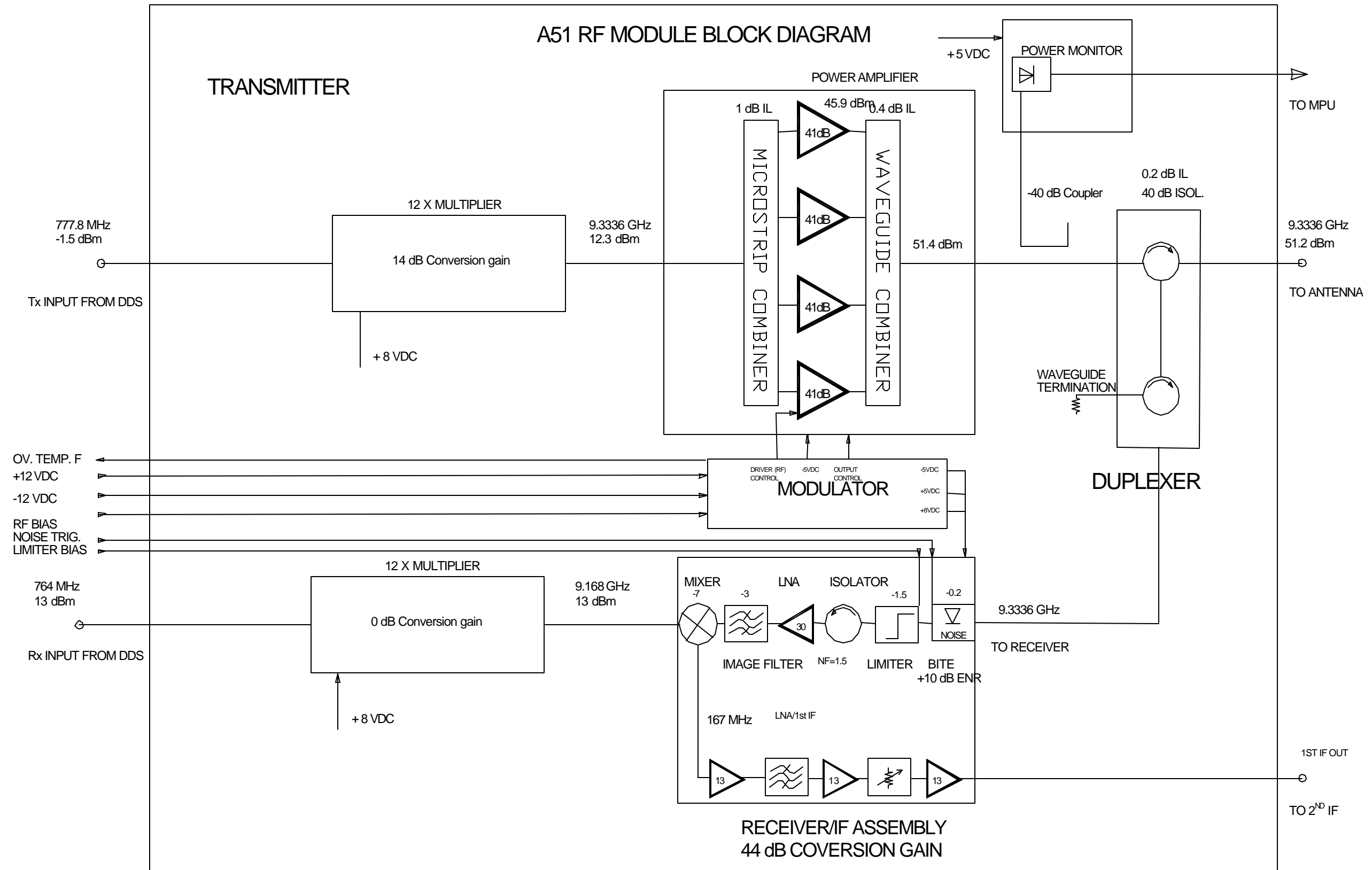


Exhibit D-8. RF Module Block Diagram

# WRT-701X

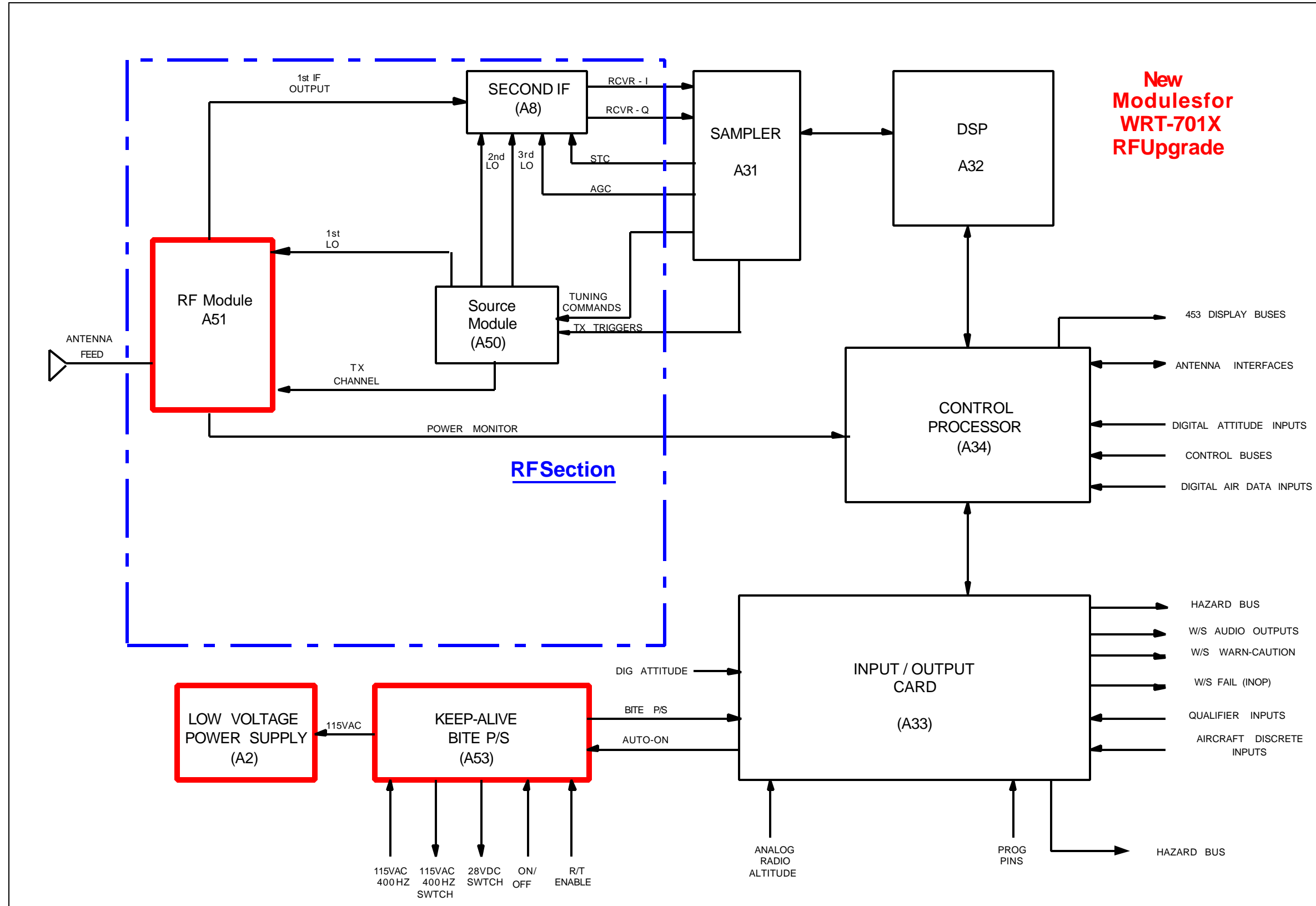


Exhibit D-9. WRT-701X Receiver-Transmitter Simplified Block Diagram

# WRT-701X

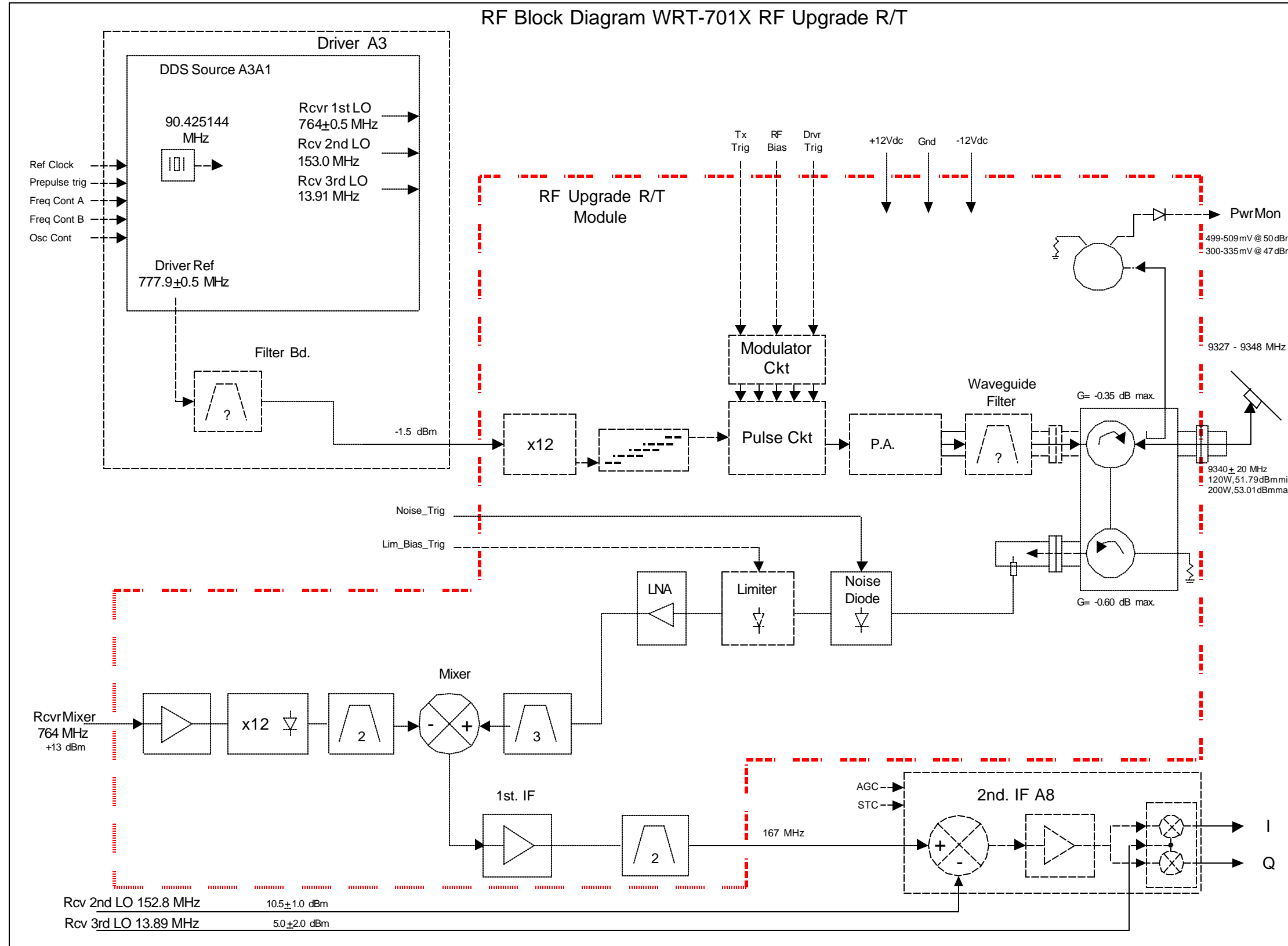


Exhibit D-10. WRT-701X RF Section Block Diagram