

**Pioneer**

---

English

## Operation Manual

DVD AV RECEIVER

# DVH-875AVBT



## Contents

### *Thank you for purchasing this PIONEER product.*

To ensure proper use, please read through this manual before using this product. It is especially important that you read and observe **WARNINGS** and **CAUTIONS** in this manual. Please keep the manual in a safe and accessible place for future reference.

<b>1</b>	<b>Precautions</b> .....	<b>3</b>	(for CD/VCD/MP3/WMA Only) .....	<b>14</b>	
	<b>IMPORTANT SAFEGUARDS</b> .....	<b>3</b>	Repeat.....	<b>14</b>	
	To ensure safe driving.....	<b>3</b>	Repeat A - B.....	<b>15</b>	
	To avoid battery exhaustion.....	<b>4</b>	GOTO.....	<b>15</b>	
	Information to User.....	<b>4</b>	PBC - Playback control ( for VCD 2.0 or up)...	<b>15</b>	
<b>2</b>	<b>Before you start</b> .....	<b>5</b>	DVD audio select .....	<b>15</b>	
<b>3</b>	<b>Operating this unit</b> .....	<b>6</b>	VCD audio select .....	<b>15</b>	
	<b>Basic operations</b> .....	<b>9</b>	DVD subtitle select.....	<b>15</b>	
	Removing the front panel to protect		DVD title select .....	<b>15</b>	
	your unit from theft .....	<b>9</b>	DVD angle select .....	<b>15</b>	
	Re-attaching the front panel.....	<b>9</b>	Zoom.....	<b>15</b>	
	Turning the unit on .....	<b>9</b>	<b>Bluetooth Operation</b> .....	<b>16</b>	
	Turning the unit off .....	<b>9</b>	Pairing .....	<b>16</b>	
	Selecting a source.....	<b>9</b>	Main menu .....	<b>16</b>	
	Adjusting the volume.....	<b>9</b>	Making a call .....	<b>17</b>	
	<b>Use and care of the remote control</b> .....	<b>10</b>	Answering a call .....	<b>17</b>	
	Using the remote control .....	<b>10</b>	Transfer the call .....	<b>17</b>	
	Replacing the battery .....	<b>10</b>	Call from Phonebook.....	<b>17</b>	
	<b>Basic menu operations</b> .....	<b>10</b>	Audio Streaming Operations .....	<b>17</b>	
	Source (selecting a source) .....	<b>11</b>	What is audio streaming?.....	<b>17</b>	
	List (operating a list menu).....	<b>10</b>	Play / Pause a track .....	<b>17</b>	
	Audio/Video (setting an audio menu) .....	<b>10</b>	Selecting a track.....	<b>17</b>	
	System (setting a system menu).....	<b>10</b>	<b>APP Operation</b> .....	<b>18</b>	
	<b>Radio</b> .....	<b>11</b>	<b>System setup</b> .....	<b>19</b>	
	Radio menu.....	<b>11</b>	<b>Audio setting</b> .....	<b>21</b>	
	Band selecting.....	<b>11</b>	<b>Video setting</b> .....	<b>21</b>	
	Manual tuning (step by step).....	<b>11</b>	<b>Other Function</b> .....	<b>21</b>	
	Seeking .....	<b>11</b>	Using an AUX source.....	<b>21</b>	
	Storing and recalling stations .....	<b>11</b>	Using an AV source .....	<b>21</b>	
	LOC/DX (local / distant seek tuning) .....	<b>11</b>	<b>4</b>	<b>Installation</b> .....	<b>22</b>
	<b>USB playback</b> .....	<b>12</b>		<b>Connecting the unit</b> .....	<b>22</b>
	Playing files on a USB storage device .....	<b>12</b>		Wiring diagram .....	<b>24</b>
	Stopping playback of files on a USB			<b>Installation</b> .....	<b>25</b>
	storage device.....	<b>12</b>		Before installing this unit .....	<b>25</b>
	List menu.....	<b>12</b>		Mounting sleeve installation .....	<b>25</b>
	Selecting file category .....	<b>12</b>		Kit installation .....	<b>26</b>
	Selecting a folder .....	<b>12</b>		ISO installation .....	<b>27</b>
	Selecting a file (chapter) .....	<b>12</b>		Fuse .....	<b>27</b>
	Playing audio files .....	<b>12</b>		Reconnect battery .....	<b>27</b>
	Playing photo files .....	<b>13</b>		<b>Remove the Unit</b> .....	<b>27</b>
	Playing video files .....	<b>13</b>	<b>5</b>	<b>Additional information</b> .....	<b>28</b>
	Playing DivX® VOD content.....	<b>13</b>		<b>Troubleshooting</b> .....	<b>28</b>
	<b>Disc playback</b> .....	<b>14</b>		<b>Error messages</b> .....	<b>29</b>
	Insert a disc.....	<b>14</b>		<b>Handling guidelines</b> .....	<b>30</b>
	Eject the disc.....	<b>14</b>		<b>Specifications</b> .....	<b>34</b>
	Disc playback.....	<b>14</b>			
	Stop playback temporarily.....	<b>14</b>			
	Stop playback entirely .....	<b>14</b>			
	Select desired track.....	<b>14</b>			
	Fast forward/backward during playback.....	<b>14</b>			
	Random track playback				


## Precautions

### IMPORTANT SAFEGUARDS

Please read all of these instructions regarding your display and retain them for future reference.

- 1 Read this manual fully and carefully before operating your display.
- 2 Keep this manual handy as a reference for operating procedures and safety information.
- 3 Pay close attention to all warnings in this manual and follow the instructions carefully.
- 4 Do not allow other persons to use this system until they have read and understood the operating instructions.
- 5 Do not install the display where it may (i) obstruct the driver's vision, (ii) impair the performance of any of the vehicle's operating systems or safety features, including air bags, hazard lamp buttons or (iii) impair the driver's ability to safely operate the vehicle.
- 6 Do not operate this display if doing so in any way will divert your attention from the safe operation of your vehicle. Always observe safe driving rules and follow all existing traffic regulations. If you experience difficulty in operating the system or reading the display, park your vehicle in a safe location and make necessary adjustments.
- 7 Please remember to fasten your seat belt at all times while operating your vehicle. If you are ever in an accident, your injuries can be considerably more severe if your seat belt is not properly buckled.
- 8 Never use headphones while driving.
- 9 To promote safety, certain functions are disabled unless the parking brake is on, and the vehicle is not in motion.
- 10 Never set the volume of your display so high that you cannot hear outside traffic and emergency vehicles.


### WARNING

**Do not attempt to install or service your display by yourself. Installation or servicing of the display by persons without training and experience in electronic equipment and automotive accessories may be dangerous and could expose you to the risk of electric shock or other hazards. **

### To ensure safe driving

#### WARNING

- LIGHT GREEN LEAD AT POWER CONNECTOR IS DESIGNED TO DETECT PARKED STATUS AND MUST BE CONNECTED TO THE POWER SUPPLY SIDE OF THE PARKING BRAKE SWITCH. IMPROPER CONNECTION OR USE OF THIS LEAD MAY VIOLATE APPLICABLE LAW AND MAY RESULT IN SERIOUS INJURY OR DAMAGE.
- To avoid the risk of damage and injury and the potential violation of applicable laws, this unit is not for use with video that is visible to the driver.
- To avoid the risk of accident and the potential violation of applicable laws, no viewing of front seat video should ever occur while the vehicle is being driven.
- In some countries or states the viewing of images on a display inside a vehicle even by persons other than the driver may be illegal. Where such regulations apply, they must be obeyed.


When you attempt to watch a video image while driving, the warning "**Viewing of front seat video source while driving is strictly prohibited.**" will appear on the front display. To watch a video image on the front display, park your vehicle in a safe place and apply the parking brake. 

**To avoid battery exhaustion**

Keep the vehicle engine running when using this unit to avoid draining the battery power.

- When no power is supplied to this unit, such as when the vehicle battery is being replaced, the microcomputer of this unit returns to its initial condition. We recommend that you transcribe the audio adjustment data.

**⚠ WARNING**

Do not use with vehicles that do not feature an ACC position. 

CAUTION: USE OF CONTROLS OR ADJUSTMENTS OR PERFORMANCE OF PROCEDURES OTHER THAN THOSE SPECIFIED HEREIN MAY RESULT IN HAZARDOUS RADIATION EXPOSURE. CAUTION: THE USE OF OPTICAL INSTRUMENTS WITH THIS PRODUCT WILL INCREASE EYE HAZARD.

**CAUTION**

This product is a class 1 laser product classified under the Safety of laser products, IEC 60825-1:2007.

**CLASS 1 LASER PRODUCT**

**Information to User**

This device complies with part 15 of the FCC Rules. Operation is subject to the following two conditions: (1) This device may not cause harmful interference, and (2) this device must accept any interference received, including interference that may cause undesired operation.

This transmitter must not be co-located or operated in conjunction with any other antenna or transmitter.

This equipment complies with FCC radiation exposure limits set forth for an uncontrolled environment and meets the FCC radio frequency (RF) Exposure Guidelines in Supplement C to OET65. This equipment has very low levels of RF energy that it deemed to comply without maximum permissive exposure evaluation (MPE). But it is desirable that it should be installed and operated keeping the radiator at least 20cm or more away from person's body (excluding extremities: hands, wrists, feet and ankles).

Information to User - Alteration or modifications carried out without appropriate authorization may invalidate the user's right to operate the equipment.

**NOTE:** This equipment has been tested and found to comply with the limits for a Class B digital device, pursuant to Part 15 of the FCC Rules. These limits are designed to provide reasonable protection against harmful interference in a residential installation. This equipment generates, uses and can radiate radio frequency energy and, if not installed and used in accordance with the instructions, may cause harmful interference to radio communications. However, there is no guarantee that interference will not occur in a particular installation. If this equipment does cause harmful interference to radio or television reception, which can be determined by turning the equipment off and on, the user is encouraged to try to correct the interference by one or more of the following measures:

- Reorient or relocate the receiving antenna.
- Increase the separation between the equipment and receiver.
- Connect the equipment into an outlet on a circuit different from that to which the receiver is connected.
- Consult the dealer or an experienced radio/TV technician for help.
- Consult the dealer or an experienced radio/TV technician for help.

**About this manual**

- The screen display language is used in English to the explanations in this manual. You can change the display language. For details, see Language on page 20.

## Before you start

### About this unit

#### ⚠ CAUTION

- Do not allow this unit to come into contact with liquids. Electrical shock could result. Also, damage to this unit, smoke, and overheating could result from contact with liquids.
- Always keep the volume low enough to hear outside sounds.
- Avoid exposure to moisture.

#### Note

Function setting operations are completed even if the menu is cancelled before the operations are confirmed.

### In case of trouble

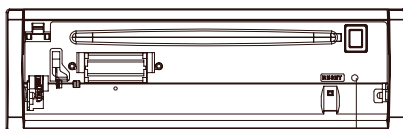
Should this product fail to operate properly, please contact your dealer or nearest authorized Pioneer Service Station.

### Resetting the microprocessor

The microprocessor must be reset in the following situations:

- Before using this unit for the first time after installation
- If the unit fails to operate properly
- When strange or incorrect messages appear on the display

- 1 Press the (page 6, ①) button on the top right of the front panel to flip down it.
- 2 Press [RESET] with a pen tip or other pointed instrument.



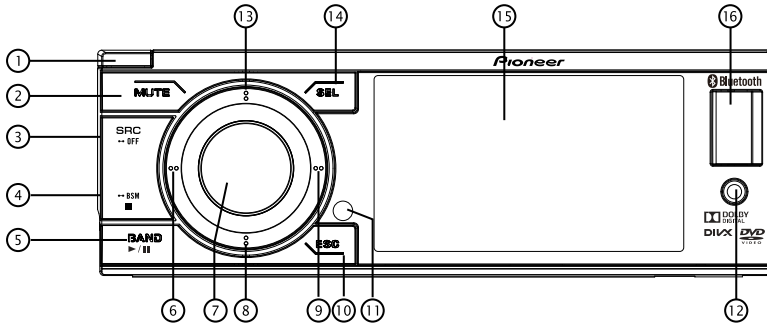
RESET

### Disable the demonstration mode

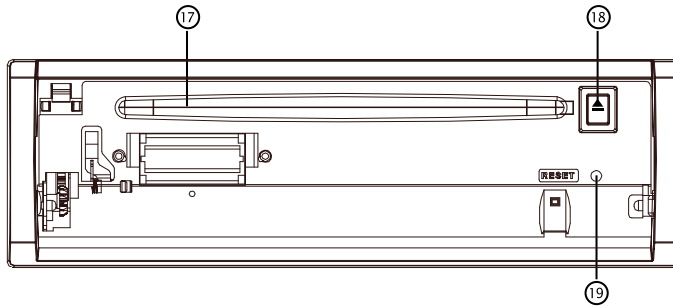
The demonstration mode should be turned off as in the following process.

- Press the **SRC** key to turn on this unit.
- Press and hold the **SEL** key to display **SETTING** menu.
- Select General menu and then choose **DEMO** menu.
- Select **Off** and then press the center of **Multi Control** to set the **DEMO** mode off.
- Press the **ESC** key to deselect the **SETTING** menu.

The demonstration mode is also disabled automatically by turning ignition key on and off.



Press the [ ① ] button to flip down the front panel.



Part	Operation	Part	Operation
①	<ul style="list-style-type: none"> <li>Panel open</li> </ul>		
②	<p><b>MUTE</b></p> <ul style="list-style-type: none"> <li>Mute on/off</li> <li>Enter the source menu (2 sec.)</li> <li>Return to main source menu (2 sec.), use [ ● ] (Left) / [ ● ] (Right) button on the front panel or [ ◀ ] / [ ▶ ] button on the remote control to select the desired mode, and press [M.C.] button on the front panel or [ENTER] button on the remote control to confirm.</li> </ul>	③	<p><b>SRC</b></p> <ul style="list-style-type: none"> <li>Power off (2 sec.)</li> <li>Select playing mode: <ul style="list-style-type: none"> <li>RADIO</li> <li>DISC (when disc inserted)</li> <li>USB (when USB connected)</li> <li>AUX-IN (front audio &amp; video input. External peripheral devices with RCA audio and video outputs can be connected with the unit.)</li> <li>AV Input (rear audio &amp; video input. External peripheral devices with RCA audio and video outputs can be connected with the unit.)</li> <li>BT</li> <li>APP</li> </ul> </li> <li>Preset scan (in Radio mode)</li> <li>Best Stations Memory (2 sec.) (in Radio mode)</li> <li>Stop playback</li> <li>Reject the incoming call or hang up the current conversation</li> </ul>
		④	<p><b>BSM</b></p> <ul style="list-style-type: none"> <li>Best Stations Memory (2 sec.) (in Radio mode)</li> <li>Stop playback</li> <li>Reject the incoming call or hang up the current conversation</li> </ul>

## Operating this unit

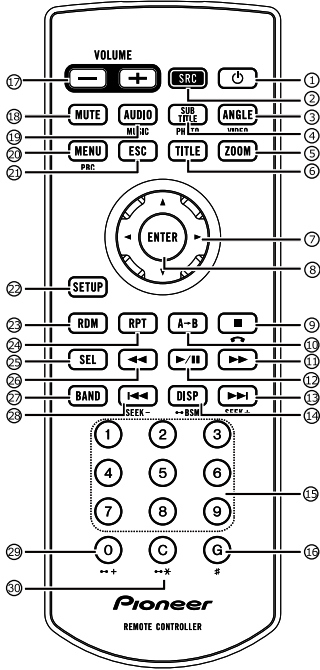
Part	Operation
⑤ <b>▶/II</b> <b>BAND</b>	<ul style="list-style-type: none"> <li>• Play/Pause (in DVD, CD and MP3/WMA modes)</li> <li>• Band switch (in Radio mode)</li> </ul>
⑥ <b>••</b> (Left)	<ul style="list-style-type: none"> <li>• Search the previous station automatically (press more than 2 seconds) (in Radio mode).</li> <li>• Search the previous station manually (in Radio mode).</li> <li>• Search the previous track or chapter (in CD, MP3/WMA, and DVD video mode).</li> <li>• Fast backward by 2, 4, 8, 16 step (2 sec.) (in CD, MP3/WMA and DVD video mode).</li> <li>• Navigate left among option items</li> </ul>
⑦ <b>MULTI-CONTROL</b> <b>(M.C.)</b>	<ul style="list-style-type: none"> <li>• Adjust volume level (rotate).</li> <li>• Confirm operation (press).</li> <li>• Stop auto seeking (in Radio mode) (press).</li> </ul>
⑧ <b>⏮</b> (Down)	<ul style="list-style-type: none"> <li>• Navigate down among option items (in DVD, CD and MP3/WMA modes)</li> <li>• Play the next preset radio station (in Radio mode)</li> </ul>
⑨ <b>••</b> (Right)	<ul style="list-style-type: none"> <li>• Search the next station automatically (press more than 2 seconds) (in Radio mode).</li> <li>• Search the next station manually (in Radio mode).</li> <li>• Search the next track or chapter (in CD, MP3/WMA, and DVD video mode).</li> <li>• Fast forward by 2, 4, 8, 16 step (2 sec.) (in CD, MP3/WMA and DVD video mode).</li> <li>• Navigate right among option items</li> </ul>

Part	Operation
⑩ <b>ESC</b>	<ul style="list-style-type: none"> <li>• Cancel source select menu and return to previous menu</li> <li>• When play back videos, press to show information.</li> <li>• Display off (press 2 sec.) Press any button to resume.</li> </ul>
⑪	<ul style="list-style-type: none"> <li>• Remote sensor</li> </ul>
⑫	<ul style="list-style-type: none"> <li>• AV in AUX input jack (3.5mm stereo/video jack) Use to connect an auxiliary device.</li> </ul>
⑬ <b>⏪</b> (Up)	<ul style="list-style-type: none"> <li>• USB port</li> <li>• Navigate up among option items (in DVD, CD and MP3/WMA modes)</li> <li>• Play the previous preset radio station (in Radio mode)</li> </ul>
⑭ <b>SEL</b>	<ul style="list-style-type: none"> <li>• Audio/video Setting (press).</li> <li>• Setting menu (press 2 sec.).</li> </ul>
⑮	<ul style="list-style-type: none"> <li>• 3.5 inch TFT display</li> </ul>
⑯	<ul style="list-style-type: none"> <li>• USB port</li> </ul>
⑰	<ul style="list-style-type: none"> <li>• Disc loading slot</li> </ul>
⑱	<ul style="list-style-type: none"> <li>• Eject button</li> </ul>
⑲	<ul style="list-style-type: none"> <li>• RESET</li> </ul>

### ⚠ CAUTION

- Use an optional Pioneer USB cable (CD-U50E) to connect the USB audio player/USB memory as any device connected directly to the unit will protrude out from the unit and may be dangerous.
- Connect the USB port to the USB connector on the front of the panel, and insert the video-out line in the AV-in jack.
- Do not use unauthorized products.

Operating this unit



Part	Operation
①	Power on/off.
②	SRC • Play source selection. • Return to main source menu (2 sec.).
③	ANGLE/ VIDEO • Select a difference angle/ version of the current DVD scene. • Show video list.
④	SUB TITLE/ PHOTO • Select DVD or DivX subtitle language. • Show photo list.
⑤	ZOOM • Enlarge or reduce picture or active image size.
⑥	TITLE • Enter DVD title menu.
⑦	▲▼◀▶ • Menu cursor. • Enter • Connect or disconnect HFP/A2DP. (press 2 sec.) • Answer the incoming call. • Dial out
⑧	ENTER • Press to stop playback. • Reject the incoming call or hang up the current conversation.
⑨	■/☎ • Press to stop playback. • Reject the incoming call or hang up the current conversation.

⑩	A+B • Repeat A-B
⑪	▶▶ • Fast forward • Press to pause or resume playback.
⑫	▶/   • Switch the HFP voice between unit and HFP device. • Next track/chapter.
⑬	▶▶1/ SEEK + • Seek station by step. • Seek the next available station. (2 sec.)
⑭	DISP/ --BSM • Display playback information. • Radio preset scan / Radio auto preset.
⑮	1-9 • Digit buttons • Goto search
⑯	G / # • "#" there is no function in this model.
⑰	VOLUME +/- • Press to increase or decrease volume.
⑱	MUTE • Press to mute. Press again to unmute. • Switch audio channel. • Switch DVD audio language • Show music list.
⑲	AUDIO/ MUSIC • Access DVD menu. • Access PBC menu (for VCD 2.0 or up)
⑳	MENU/ PBC • Exit the current menu, and return to last menu.
㉑	ESC • Enter setting menu.
㉒	SETUP • Enable/disable random playback.
㉓	RDM • Enable/disable repeat playback.
㉔	RPT • Enter audio/video setting menu
㉕	SEL • Fast reverse
㉖	◀◀ • Select tuner band.
㉗	BAND • Previous track/chapter. • Press to seek the previous station. • Seek the previous available station. (2 sec.)
㉘	◀◀/ SEEK - • Previous track/chapter. • Press to seek the previous station. • Seek the previous available station. (2 sec.)
㉙	0 / --+ • Input number "0". • Input "+".
㉚	C / --* • Clear the input number. • Input "*".



## Operating this unit

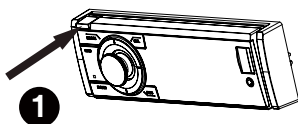
### Basic operations

#### ► Important

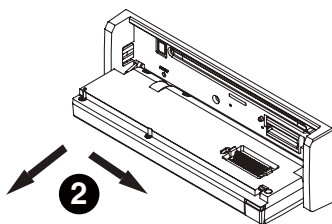
- Handle gently when removing or attaching the front panel.
- Avoid subjecting the front panel to excessive shock.
- Keep the front panel out of direct sunlight and high temperatures.
- To avoid damaging the device or vehicle interior, remove any cables and devices attached to the front panel before detaching it.

### Removing the front panel to protect your unit from theft

- 1 Press the (page 6, ①) button to flip down the front panel.



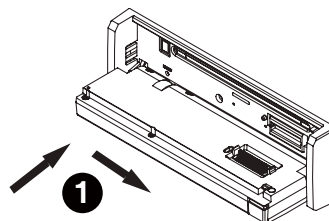
- 2 Grab the left side of the front panel, push it to the right, then pull it out.



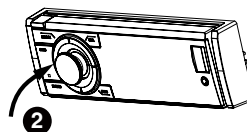
- \* The indicator light flashes after the panel removed.
- 3 Always keep the detached front panel in a protection device such as a protection case.

### Re-attaching the front panel

- 1 Grab the left side of the front panel, push it to the right, then push it in until it clicks.



- Make sure that the front panel has been properly connected to the main unit.
- 2 Press the upper right end of the front panel until it is firmly seated.



- If you can't attach the front panel to the main unit successfully, try again. Forcing the front panel into place may result in damage.

### Turning the unit on

Press [SRC] button to turn the unit on.

### Turning the unit off

Press and hold [SRC] until the unit turns off.

### Selecting a source

Press [SRC] to cycle between:  
 RADIO (tuner)—DISC (when disc inserted)—USB (when USB connected)—AUX (AUX-IN cannot carry out a source selection, unless it turns ON AUX by Setting menu.)—AV Input (AV-IN cannot carry out a source selection, unless it turns ON AV Input by Setting menu.)—BT (Bluetooth)—APP

### Adjusting the volume

Turn [M.C.] to adjust the volume. Turn counterclockwise to decrease and clockwise to increase the volume.

## Use and care of the remote control

### Using the remote control

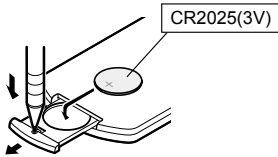
Point the remote control in the direction of the front panel to operate.

When using for the first time, pull out the film protruding from the tray.

### Replacing the battery

Slide the tray on the back of the remote control out and insert the battery with the plus (+) and minus (-) poles aligned properly.

- When using for the first time, pull out the film protruding from the tray.



### ⚠ WARNING

- Keep the battery out of the reach of children.  
Should the battery be swallowed, consult a doctor immediately.
- Batteries (battery pack or batteries installed) must not be exposed to excessive heat such as sunshine, fire or the like.

### ⚠ CAUTION

- Remove the battery if the remote control is not used for a month or longer.
- There is a danger of explosion if the battery is incorrectly replaced. Replace only with the same or equivalent type.
- Do not handle the battery with metallic tools.
- Do not store the battery with metallic objects.
- If the battery leaks, wipe the remote control completely clean and install a new battery.
- When disposing of used batteries, comply with governmental regulations or environmental public institutions' rules that apply in your country/area.

### ➤ Important

- Do not store the remote control in high temperatures or direct sunlight.
- The remote control may not function properly in direct sunlight.
- Do not let the remote control fall onto the floor, where it may become jammed under the brake or accelerator pedal.

## Basic menu operations

### Source (selecting a source)

- 1 Press and hold [SRC] button to display the home menu.
- 2 Use [••] (Left) / [••] (Right) button on the front panel or [◀] / [▶] button on the remote control to select the desired source.

Press [M.C.] button on the front panel or [ENTER] button on the remote control to select.

### List (operating a list menu)

Press [ESC] to display the list menu (in MP3/WMA/CD-DA mode) (page 12).

### Audio/Video (setting an audio menu)

Press [SEL] to display the audio/Video menu.

Refer to Audio Adjustments (page 20).

### System (setting a system menu)

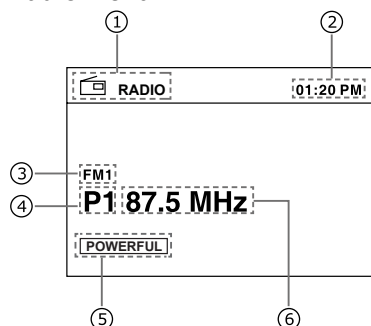
Press and hold [SEL] more than 2 seconds to display the system menu.

Refer to System settings (page 19).

## Operating this unit

### Radio

#### Radio menu



①	Source indicator
②	Time
③	Band
④	Preset station No.
⑤	Sound effect indicator
⑥	Frequency

#### Band selecting

Press [BAND ▶/II] button repeatedly to select desired band. The band indicator (FM1, FM2, FM3 or AM) will be displayed.

#### Manual tuning (step by step)

Press the [••] (Left) or [••] (Right) button to tune step by step.

#### Seeking

- 1 Press and hold the [••] (Left) or [••] (Right) button more than 2 seconds to seek previous/next available station.
- 2 You can cancel seek tuning by press [M.C.] or [••] (Left) / [••] (Right) button.

#### Storing and recalling stations

You can easily store up to six stations for each band as presets.

##### Storing a preset station manually

- 1 Tune to a desired station as above method.
- 2 Press and hold [M.C.] button until the preset station flashes on the screen,

press [•] (Up) or [•] (Down) button to select a preset number, then press [M.C.] button to store it.

You may also do the operation by the remote control as following step:

Press and hold a number button (1-6) on the remote control, the current station will be stored in the memory.

#### Storing a preset station automatically

BSM (best stations memory) automatically stores the 6 strongest stations of each band, the unit can store 18 stations in total.

#### Best stations memory

- 1 Press and hold [■/↔ BSM] button more than 2 seconds to search and store stations. During searching and storing, "BSM" appears on the display.
  - 2 The unit will scan play the preset stations automatically and "AMS-" appears on the display.
- To cancel, press [■/↔ BSM] button again.

#### Recalling preset stations

Press [■/↔ BSM] button to scan play all the preset stations.

#### LOC/DX (local / distant seek tuning)

Local seek tuning lets you tune to only those radio stations with sufficiently strong signals for good reception.

Distant seek tuning allows to receive all the signals.

- 1 Press and hold the [SEL] button to display the setting mode.
- 2 Press [••] (Left) / [••] (Right) button on the front panel or [◀] / [▶] button on the remote control to select Radio setting menu.
- 3 Rotate the [M.C.] or press [•:] (Down) button on the front panel or [▼] button on the remote control to move the cursor to LOC DX option.
- 4 Press [M.C.] or [ENTER] button to spread the sub-menu.
- 5 Rotate the [M.C.] or press [•:] (Up) / [•:] (Down) button on the front panel or [▲] / [▼] button on the remote control to select desired option.
- 6 Press [M.C.] or [ENTER] button to confirm.

## USB playback

### Playing files on a USB storage device

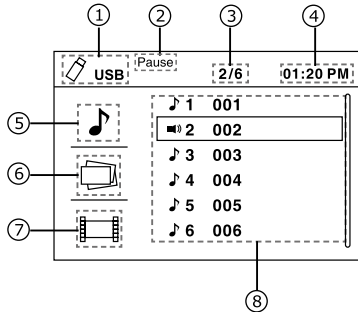
- 1 Open the USB port cover.
- 2 Plug in the USB storage device using a USB cable.
- 3 The unit will switch to USB mode and load the files in the USB device automatically.

### Stopping playback of files on a USB storage device

- Switch to other mode.
- Disconnect the USB storage device.

### List menu

The unit will enter list menu after connecting the USB storage, it will enter playing audio files automatically after 15 seconds, press [ESC] button to return to list menu.



- |   |                                         |
|---|-----------------------------------------|
| ① | Source indicator                        |
| ② | Playback status indicator               |
| ③ | Current track number/Total track number |
| ④ | Time                                    |
| ⑤ | Audio list indicator                    |
| ⑥ | Photo list indicator                    |
| ⑦ | Video list indicator                    |
| ⑧ | File list                               |

### Selecting file category

The unit will enter file list after loading the storage, press [••] (Left) button on the front panel or [◀] button on the remote control to return to file type selecting. Press [⏮] (Up) / [⏭] (Down) button on the front panel or [▲] / [▼] button on the remote

control to select file category (Audio, Photo, Video), press [M.C.] or [ENTER] to confirm.

### Selecting a folder

- 1 Press [⏮] (Up) / [⏭] (Down) or [▲] / [▼] button to select a folder (if there are folders in the storage), press [M.C.] or [ENTER] to confirm.
- 2 To find a sub-folder, repeat above step.

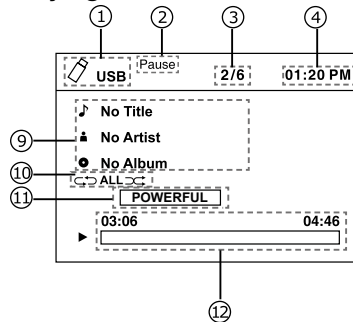
### Selecting a file (chapter)

In file list menu, press [⏮] (Up) / [⏭] (Down) or [▲] / [▼] button to select a file, press [M.C.] or [ENTER] button, the unit will load the file and start playback.

### Selecting a file of other folder:

1. If there are more than 1 folder in the storage, a folder icon appears upon the file's names, press [⏮] (Up) / [⏭] (Down) or [▲] / [▼] button to select it and press [M.C.] or [ENTER] button to show all the folders.
2. Press [⏮] (Up) / [⏭] (Down) or [▲] / [▼] button to select a folder and press [M.C.] or [ENTER] button to show the files in the folder.

### Playing audio files



- |   |                                      |
|---|--------------------------------------|
| ⑨ | Track information                    |
| ⑩ | Repeat and Random information        |
| ⑪ | Sound effect indicator               |
| ⑫ | Elapsed time/Total time of the track |

- In playback menu, press [ESC] button to return to upper category.

### Play/Pause

Press [BAND ▶ / ||] button on the front panel or [▶ / ||] button on the remote control to play/pause.

## Operating this unit

### Previous/next track

Press [••] (Left) or [••] (Right) button to go to previous or next track.

### Fast forwarding or reversing

Press and hold [••] (Left) or [••] (Right) button more than 2 seconds to fast backward/forward by 2, 4, 8, 16 step.

### Back to list menu

Press [ESC] button to back to list menu.

## Playing photo files

### Play/Pause

Press [BAND ►/||] or [►/||] button to play/pause.

### Previous/next photo

Press [••] (Left) or [••] (Right) button to go to previous or next photo.

### Rotating photo

Press [◀] button to rotate the photo 270° -> 180° -> 90°, press [▶] button to rotate the photo 90° -> 180° -> 270°, each press to rotate the photo 90°, press [⋮] (Up) / [⋮] (Down) or [▲] / [▼] button to rotate the photo 180°.

### Back to list menu

Press [■/↔ BSM] button to back to list menu.

## Playing video files

### Play/Pause

Press [BAND ►/||] or [►/||] button to play/pause.

### Previous/next chapter

Press [••] (Left) or [••] (Right) button to go to previous or next chapter.

### Fast forwarding or reversing

Press and hold [••] (Left) or [••] (Right) button more than 2 seconds to fast backward/forward by 2, 4, 8, 16 step.

### Back to list menu

Press [■/↔ BSM] button to back to list menu.

### Notes

- Disconnect USB storage devices from the unit when not in use.
- It will take several minutes when playing external storage devices that contain a mixture of various media file types.

- Use an optional Pioneer USB cable (CD-U50E) to connect the USB audio player/USB memory as any device connected directly to the unit will protrude out from the unit and may be dangerous.
- Do not use unauthorized products.

## Playing DivX® VOD content

Some DivX® VOD (video on demand) content may only be playable a fixed number of times.

When you attempt to play back this type of content saved on an external storage device, the remaining number of times it can be played is shown on-screen. You can then decide whether or not to play back the contents of the external storage device.

- If there is no limit to the number of times the DivX® VOD content can be viewed, then you may insert the external storage device into your player and play the content as often as you like, and no message will be displayed.
- You can confirm the number of times that the content can be played by checking the number displayed after Remaining Views.

### ► Important

- In order to play DivX® VOD contents on this unit, you first need to register the unit with your DivX® VOD contents provider. For details on your registration code, refer to Displaying the DivX® VOD registration code .
- DivX® VOD content is protected by a DRM (Digital Rights Management) system. This restricts playback of content to specific, registered devices.

If a message is displayed after inserting the external storage device containing DivX® VOD content, use M.C. to select a desired mode.

Turn to change the mode. Press to select.

- Play – Playback of the DivX® VOD content
- Next Play – Skip to the next file
- Stop – If you do not want to play the DivX® VOD content

## Disc playback

### Insert a disc

- 1 Press (page 6, ①) button to flip down the panel.
- 2 Insert a disc into the disc loading slot (page 6, ①⑦).
- 3 Close the panel, and the unit will change to disc mode automatically.

### Notes

- Please confirm whether there is a disc in the unit before you insert another one.
- The unit will exit current playing source and enter DVD mode when one disc is inserted.
- The following format disc will be support: CD-R, CD-RW, DVD-R, DVD+R, DVD-RW, DVD + RW .

### Eject the disc

- 1 Press (page 6, ①) button to flip down the panel.
- 2 Press [ ▲ ] button (page 6, ①⑨) to eject the disc.
- 3 Close the panel.

### Notes

- After ejecting the disc, the unit reverts to other mode automatically.
- You can eject a disc when the unit powered off. The unit remains off after the disc ejected.
- If the disc is not removed from the unit within 10 seconds, the disc will be reloaded to prevent accidental damage.

### Disc playback

- 1 When a disc is inserted, display shows "Loading". For MP3/WMA or disc with mixed files, reading time may exceed 1 minute.
- 2 While audio/photo/video files playback, list menu will appear on the display. The list menu and operations are the same with USB playback (page 12).

### Stop playback temporarily

- During playback, press [ BAND ►/|| ] or [ ►/|| ] to pause playback.
- The sound will be muted.
- Display shows "PAUSE".

Press [ BAND ►/|| ] or [ ►/|| ] again to continue playback.

To resume normal play, repeat the operation.

### Stop playback entirely

- 1 During playback, press [ ■/↔ BSM ] button once to stop the playback and the relevant location on the disc is saved, press [ BAND ►/|| ] or [ ►/|| ] to resume the playback from the saved disc location.
- 2 Press [ ■/↔ BSM ] twice to cease the playback. Press [ BAND ►/|| ] or [ ►/|| ] to start the playback from the very beginning the Title page of the DVD or the first track of VCD / CD.

### Select desired track

- Press [ •• ] (Left) or [ •• ] (Right) button to skip to the previous/next track.

### Fast forward/backward during playback

Press [ •• ] (Left) or [ •• ] (Right) button for more than 2 seconds repeatedly to select X2, X4, X8, X16 to fast backward or forward track during playback.

- During the fast forward or backward operation, press [ BAND ►/|| ] or [ ►/|| ] briefly to playback again.
- During the fast forward or backward operation, the volume will be muted.

### Random track playback (for CD/ VCD/MP3/WMA Only)

You can play all the tracks in random order.

- 1 During playback, press [ RDM ] button on the remote control unit to select random playback.
- 2 Press [ RDM ] button again to select normal playback.

### Repeat

During playback, press [ RPT ] button on the remote control unit to select repeat playback.

## Operating this unit

### Repeat A - B

Select desired passage to repeat playback.

- Press [A->B] on the remote control once to select starting point.
- Press [A->B] again to select ending point, selected passage start to replay.
- Press [A->B] once again to exit.

### GOTO

Goto desired title/chapter or time point directly of video.

- 1 Press [ G ](GOTO) button on the remote control, search menu display on top of the screen.
- 2 Use [ : ] (Up) / [ ; ] (Down) button on the front panel or [ ▲ ] / [ ▼ ] button on the remote control to select Title, Chapter or Time, if necessary.  
The options of the search menu depends on the video type, it maybe display only one or two of the options.
- 3 Use [ ◀ ] or [ ▶ ] button to select desired title/chapter or input the number by digit buttons.
- 4 Press [M.C.] or [ENTER] button to confirm.

### PBC - Playback control ( for VCD 2.0 or up)

- 1 If you insert a VCD with PBC, press [ MENU/PBC ] button to set the PBC On/Off.
- 2 When PBC is set to Off, playback starts from the beginning of the 1st track automatically.
- 3 When PBC is set to On, the PBC menu will be displayed, use navigation buttons or digit buttons to select desired track, press [M.C.] or [ENTER] button to confirm the playback, then the PBC will be set to Off automatically.

### DVD audio select

Press [AUDIO/MUSIC] button to select audio language to listen if the DVD has multiple audio languages.

### VCD audio select

Press [AUDIO/MUSIC] button to select audio channel to listen (L, R, Stereo).

### DVD subtitle select

Press [SUBTITLE/PHOTO] button to select the subtitle language to show if the DVD has multiple language subtitles.

### DVD title select

Press [TITLE] button to display title or chapter list, use [ : ] (Up) / [ ; ] (Down) button on the front panel or [ ▲ ] / [ ▼ ] / [ ◀ ] / [ ▶ ] button on the remote control or digit number to select, press [M.C.] or [ENTER] button to play.

### DVD angle select

Press [ANGLE/VIDEO] button to select different angle to view if the DVD has multiple-angle views.

### Zoom

Press [ZOOM] button, the picture will be zoomed accordingly.

## Bluetooth Operation

The Bluetooth allows you to utilize your car's built-in audio system for wireless mobile phone or music handsfree communication. Some Bluetooth mobile phones have the audio features, and some portable audio players support Bluetooth feature. This system can play audio data stored in a Bluetooth audio device. The car stereo with Bluetooth will be able to retrieve phonebook contacts, received call, dialled call, missed call, incoming calls, outgoing call and listen to music.

### Notes

- Do not leave the microphone of Bluetooth handsfree in the places with wind passing such as air outlet of the air conditioner, etc. This may cause a malfunction.
- If leave it in the places subjected to direct sun, high temperature can cause distortion, discoloration which may result in a malfunction.
- This system will not operate or may operate improperly with some Bluetooth audio players.
- The unit cannot guarantee the compatibility of all mobile phones together with the unit.

### Pairing

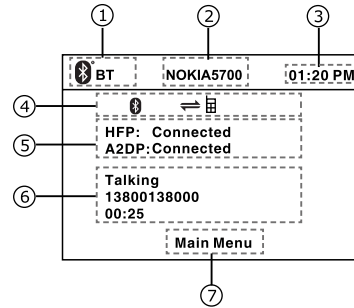
- 1 Switch the Bluetooth on in the system setting menu. (see page 20 <System setup> <Bluetooth>)
- 2 Turn on Bluetooth function of your mobile phone.
- 3 Enter mobile phone's Bluetooth setup menu.
- 4 Search for new Bluetooth devices.
- 5 Select DVH-870AVBT from the pairing list on the mobile phone, and paired automatically.
- 6 After pairing successfully, the unit will show "HFP: Connected", "A2DP: Connected".  
If the connection doesn't establish after pairing, Use [▲] (Up) / [▼] (Down) button on the front panel or [▲] / [▼] button on the remote control to select HFP or A2DP, then press and hold [M.C.] button to connect it manually.

### Notes

- The unit only pair one mobile phone, and only memry the last pair device.  
When power on, only search the last pair device.
- All HFP function sources can connect; A2DP function only can connect the BT source and APP source, enter other source will disconnect automatically, and switch BT source again will paired automatically.

### Main menu

Press the [SRC] button to switch the source to "BT".  
"BLUETOOTH" must be ON to access to the BT source.



- |   |                    |
|---|--------------------|
| ① | Source indicator   |
| ② | Device name        |
| ③ | Time               |
| ④ | Status indicator   |
| ⑤ | HFP/A2DP status    |
| ⑥ | Device Information |
| ⑦ | Indication message |

### Music display

On BT main menu, press the [ESC] button to display the music interface, press [ESC] again to return the BT main menu.

### Note

- The display information only include:  
Char Title、Char Artist、Char Album、  
Total time、Play time.



## Operating this unit

### Making a call

Press the [SRC] button to switch the source to "BT". Input numbers by remote control then press [M.C.] button on the front panel or [ENTER] button on the remote control to dial out.

### Answering a call

You can answer an incoming call by pressing the [M.C.] or [ENTER] button.

\* Press [■/↔ BSM] button on the front panel or [■] button on the remote control to hang up the current conversation or reject an incoming call.

### Transfer the call

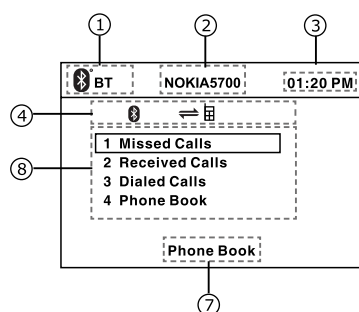
Press [BAND ►/||] button on the front panel or [►/||] button on the remote control to switch the HFP voice between unit and HFP device.

#### Note

Some cellular phones may not be able to transfer the Phone Book data.

### Call from Phonebook

Press and hold [■/↔ BSM] button on the front panel or [■] button on the remote control will toggle between BT main menu and phone book menu when BT device is connected, if BT is not connected, the menu could not be switched to phone book menu.



⑧ Phone book list

Use [●] (Up) / [●] (Down) button on the front panel or [▲] / [▼] button on the remote control to select from:

- 1 Missed Calls
- 2 Received Calls
- 3 Dialed Calls
- 4 Phone Book

Press [M.C.] button on the front panel or [ENTER] button on the remote control to loading the data, then the numbers list on the display.

Use [●] (Up) / [●] (Down) button on the front panel or [▲] / [▼] button on the remote control to select a number, press [M.C.] button on the front panel or [ENTER] button on the remote control to dial out.

### Audio Streaming Operations

#### What is audio streaming?

Audio streaming is a technique for transferring audio data such that it can be processed as a steady and continuous stream. Users can stream music from their external audio player to their car stereo wirelessly and listen to the tracks through the car's speakers. Please consult your nearest dealer for more information on the product of wireless audio streaming transmitter offered.

#### ⚠ CAUTION

**Please avoid operating your connected mobile phone while audio streaming as this may cause noise or sound choppy on the song playback.**

**Audio streaming may or may not resume after telephone interrupt as this is dependent on mobile phone.**

**System will always return to Radio mode if audio streaming is disconnected.**

#### Note

Be sure to read the chapter "Pairing" before proceeding.

### Play / Pause a track

1. Press the [BAND ►/||] button to pause audio playback.
2. To resume audio playback, press the [BAND ►/||] button again.

### Selecting a track

#### Track-up

1. Press the [●] (Right) button on the front panel or [►] button on the remote to move to the beginning of the next track.
2. Each time the [●] (Right) or [►] button is pressed, playback proceeds to another track in the advancing direction.

**Track-down**

1. Press the [•] (Left) on the front panel or [◀◀] button on the remote to move the to beginning of the previous track.
2. Each time the [•] (Left) or [◀◀] button is pressed, playback proceeds to previous track in the reverse direction.

**Note**

Playing order will depend on Bluetooth audio player. When [•] (Left) or [◀◀] button is pressed, some A2DP devices will restart the current track depends on the duration of playback.

**APP Operation****Starting procedure for Android device users**

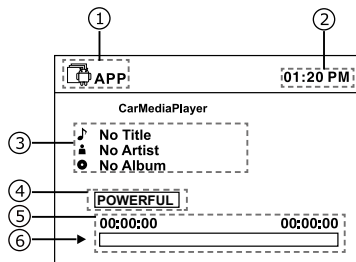
Connect your Android device to this unit using Bluetooth wireless technology.

To use the CarMediaPlayer with the compatible Pioneer product, AppRadio app should be installed.

AppRadio app can be downloaded from Google Play.

**Main menu**

- 1 Press the [SRC] button to switch the source to "APP".  
"BLUETOOTH" must be ON to access to the BT source.
- 2 Select [CarMediaPlayer] to enter.



①	Source indicator
②	Time
③	Track information
④	Sound effect indicator
⑤	Elapsed time/Total time of the track
⑥	Play/Pause

**Play/Pause**

Press [BAND ▶/||] button on the front panel to play/pause.

**Select desired track**

Press [•] (Left) or [•] (Right) button to skip to the previous/next track.

**Fast forward/backward during playback**

Press [•] (Left) or [•] (Right) button for more than 2 seconds repeatedly to select X2, X4, X8, X16 to fast backward or forward track during playback.

- During the fast forward or backward operation, undo the button to playback again.

**Information for compatibility of connected devices**

The following is the detailed information regarding the terminals required to use the application for smartphone on this unit.

For smartphone users

- The device has Android OS 2.3 or later.
- The device supports Bluetooth SPP (Serial Port Profile) and A2DP (Advanced Audio Distribution Profile).  
The device is connected to this unit via Bluetooth.
- Compatibility with all Android devices is not guaranteed.

**Notes**

- Pioneer is not liable for any issues that may arise from incorrect or flawed app-based content.
- The content and functionality of the supported applications are the responsibility of the App providers.

## Operating this unit

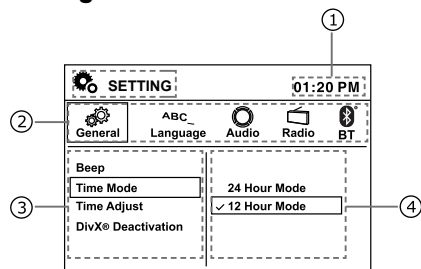
### System setup

In all mode, press and hold [SEL] to enter system setting menu.

The unit could not enter the setting menu when the system is busy, such as loading disc or USB.

- 1 Press [◀] (Left) / [▶] (Right) or [◀] / [▶] button to select category.
- 2 Rotate [M.C.] or press [▲] (Up) / [▼] (Down) or [▲] / [▼] button to select a number, press [M.C.] or [ENTER] button to select options, then press the [M.C.] or [ENTER] button to spread the sub-menu.
- 3 Rotate the [M.C.] or press [▲] (Up) / [▼] (Down) or [▲] / [▼] button to highlight the desired selection, press [M.C.] or [ENTER] to confirm.
  - Pressing [◀] will return to upper catalog.

### Setting menu



- |   |          |
|---|----------|
| ① | Time     |
| ② | Category |
| ③ | Options  |
| ④ | Sub-menu |

#### General

##### Beep:

Turn on or off the beep sound.

##### Time Mode:

Select 12 Hour or 24 Hour Mode.

##### Time Adjust:

Press [▶] (Right) or [▶] button to switch between hour and minute, rotate the [M.C.] or press [▲] (Up) / [▼] (Down) or [▲] / [▼] button to adjust.

#### DivX® Deactivation

Display the DivX® activation information.

In order to play DivX® VOD (video on demand) contents on this unit, the unit must first be registered with a DivX® VOD contents provider.

#### DivX® Registration

To show the DivX® registration code and web site.

#### Parental control

- 1 When "Enter password" appears on the display, input a 4-digit password by remote control (Original password: 8888), press [M.C.] or [ENTER] button to confirm and "Correct Password" appears.
- 2 Press [M.C.] or [ENTER], then rotate [M.C.] or press [▲] (Up) / [▼] (Down) or [▲] / [▼] button to select a rating level. The rating is from 1 to 8:  
(1) with the most limits when playing.  
(8) with the least limits when playing.
- 3 Press the [M.C.] or [ENTER] button to confirm.

#### Set Password

- 1 When "Enter password" appears on the display, input the old password by remote control, press [M.C.] or [ENTER] button to confirm and "Correct Password" appears.
- 2 Press the [M.C.] or [ENTER], enter a new 4-digit password by the remote control, press the [M.C.] or [ENTER] button to confirm.
- 3 Then input the new password again for double confirm, press the [M.C.] or [ENTER] button and "Set Password Successful" appears.
  - Original password: 8888
  - If you forget your password, enter original password to unlock.

#### Default Settings

Load the default settings.

When the selection menu appears, press [▶] (Left) / [▶] (Right) or [◀] / [▶] button to select Yes or No, press [M.C.] or [ENTER] button to confirm.

#### Color Key

Select the key backlight color Blue or Red.

**Aspect Ratio:**

4:3: For 4:3 TV picture.

16:9: For 16:9 wide screen TV.

**Note**

There is no 16:9 specification for VCD; for VCD the video output only in 4:3 format; in our setting menu, 4:3 or 16:9 setting is for video monitor setting, but not mean that DVD will output video signal in 4:3 or 16:9 format; which means current our TFT is in 16:9, when we play VCD, if we want to keep the video signal without distortion, the video should not be set to full screen like 16:9.

**Mirror:**

When select "Mirror on", the video of camera is mirror image.

**Camera Polarity**

Select Camera Polarity Battery, Ground or Off.

Battery: When the polarity of the connected lead is positive while the gear shift is in REVERSE (R) position

Ground: When the polarity of the connected lead is negative while the gear shift is in REVERSE (R) position

Off: The camera polarity is disabled.

**AV Input**

Select Av Input on or off.

**AUX**

Select auxiliary device on or off.

**Demo**

Select Demo, press [M.C.] or [ENTER] to run. "Demo" will be flashed on the top right corner, then DEMO mode is engaged.

**Text Scroll**

Select Text Scroll on or off.

**Language**

Setting on screen display, Subtitle, Audio, DVD Menu Language.

If the DVD disc has the audio file in the selected language, the dialogues you listened to will be in the selected language.

**Audio****Loudness:**

Turn on or off the loudness.

**Subwoofer:**

Selecting 80Hz, 120Hz or 160Hz to activate subwoofer-out.

Selecting subwoofer off to activate rear line-out.

**Sub Volume:**

Select subwoofer volume: 0 to 33.

- Sub Volume couldn't be adjusted when SubWoofers Off is selected.

**Radio****LOC DX:**

Select radio local or distant.

LOC: Only stations with strong signal can be received.

DX: Stations with strong and weak signals can be received.

**Stereo / Mono:**

Select FM stereo or mono.

**FM Step(FM tuning step):**

Select FM step 50kHz or 100kHz

**seek tuning step**

- The tuning step remains at 50kHz during manual tuning.

**AM Step:**

Select AM step 9kHz or 10kHz

The AM tuning step can be switched between 9kHz and 10kHz.

**Bluetooth****Bluetooth:**

If the Bluetooth is setting is On, then the BT will be available, otherwise the BT will never work and in disable status.

**Connect:**

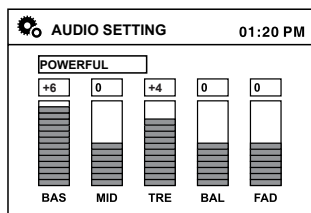
If the Connect is set to Auto, then BT of the unit will connect automatically with the HFP device which is already paired in every disconnect status (Bluetooth must be "On").

**Auto Answer:**

If the Auto Answer is set to Auto, then BT of the unit will answer the in-coming call automatically when the BT is already connected with your HFP device( Bluetooth must be "On"), otherwise you have to answer the in-coming call by press answer button of the remote or panel.

## Operating this unit

### Audio setting

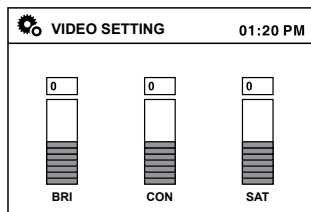


Press the [SEL] button to enter audio setting menu. First press shows current EQ. Press [▲]/[▼] button on the remote control to changes EQ in this order:

POWERFUL -> NATURAL -> VOCAL  
-> CUSTOM -> FLAT->SUPERBASS

To set user definition, press [SEL] button or [●] (Left) / [●] (Right) button on the front panel or [◀] / [▶] button on the remote control to select it including: BAS(bass)/MID(middle)/TRE(treble)/BAL(balance)/FAD(fader), press [▲]/[▼] button on the remote control to adjust value.

### Video setting



At Audio setting menu, press [SEL] button or [●] (Left) / [●] (Right) button on the front panel or [◀] / [▶] button on the remote control to select it including: BRI(brightness)/CON(contrast)/SAT(saturation), press [▲] / [▼] button on the remote control to adjust value.

\* Rear monitor is not adjustable.

#### Note

Video setting is adjustable for this product display only, it is not adjustable when video output to the other devices display.

### Other Function

#### Using an AUX source

A separately sold auxiliary device such as a VCR or portable device can be connected to this unit.

When connecting auxiliary device using the front AUX input.

- You need to activate the AUX function in the initial setting menu. Refer to previous page.
- A portable audio/video player can be connected by using a 3.5mm plug (4 pole) with an RCA cable (sold separately). However, depending on the cable, a reverse connection between the red (right side audio) cable and yellow (video) cable may be required in order for the sound and video image to be reproduced correctly.

#### Using an AV source

When connecting auxiliary device using the rear AV input.

- You need to activate the AV function in the initial setting menu. Refer to previous page.
- A portable audio/video player can be connected by using a standard plug with an RCA cable (sold separately). However, depending on the cable, a reverse connection between the red/white (right/left side audio) cable and yellow (video) cable may be required in order for the sound and video image to be reproduced correctly.

## Connecting the unit

### ⚠ WARNING

- To avoid the risk of accident and the potential violation of applicable laws, no viewing of front seat video should ever occur while the vehicle is being driven.
- In some countries or states the viewing of images on a display inside a vehicle even by persons other than the driver may be illegal. Where such regulations apply, they must be obeyed.

### ⚠ WARNING

LIGHT GREEN LEAD AT POWER CONNECTOR IS DESIGNED TO DETECT PARKED STATUS AND MUST BE CONNECTED TO THE POWER SUPPLY SIDE OF THE PARKING BRAKE SWITCH. IMPROPER CONNECTION OR USE OF THIS LEAD MAY VIOLATE APPLICABLE LAW AND MAY RESULT IN SERIOUS INJURY OR DAMAGE.

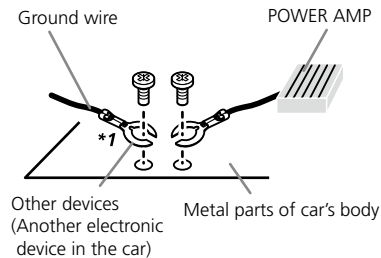
### ⚠ CAUTION

- PIONEER does not recommend that you install or service your display unit yourself. Installing or servicing the product may expose you to risk of electric shock or other hazards. Refer all installation and servicing of your display unit to authorized Pioneer service personnel.
- Secure all wiring with cable clamps or electrical tape. Do not allow any bare wiring to remain exposed.
- Do not drill a hole into the engine compartment to connect the yellow cable of the display unit to the vehicle battery. Engine vibration may eventually cause the insulation to fail at the point where the wire passes from the passenger compartment into the engine compartment. Take extra care in securing the wire at this point.
- It is extremely dangerous to allow the microphone lead to become wound around the steering column or gearstick. Be sure to install the unit in such a way that it will not obstruct driving.

- Make sure that cables will not interfere with moving parts of the vehicle, such as the gearshift, parking brake or seat sliding mechanism.
- Do not shorten any cables. If you do, the protection circuit may fail to work properly.

### ⚠ WARNING

- Use speakers over 50 W (output value) and between 4 Ω to 8 Ω (impedance value). Do not use 1 Ω to 3 Ω speakers for this unit.
- The black cable is ground. When installing this unit or power amp (sold separately), make sure to connect the ground wire first. Ensure that the ground wire is properly connected to metal parts of the car's body. The ground wire of the power amp and the one of this unit or any other device must be connected to the car separately with different screws. If the screw for the ground wire loosens or falls out, it could result in fire, generation of smoke or malfunction.



\*1Not supplied for this unit.

### ➤ Important

- This unit cannot be installed in a vehicle without ACC (accessory) position on the ignition switch.



ACC position



No ACC position

- Use this unit with a 12-volt battery and negative grounding only. Failure to do so may result in a fire or malfunction.

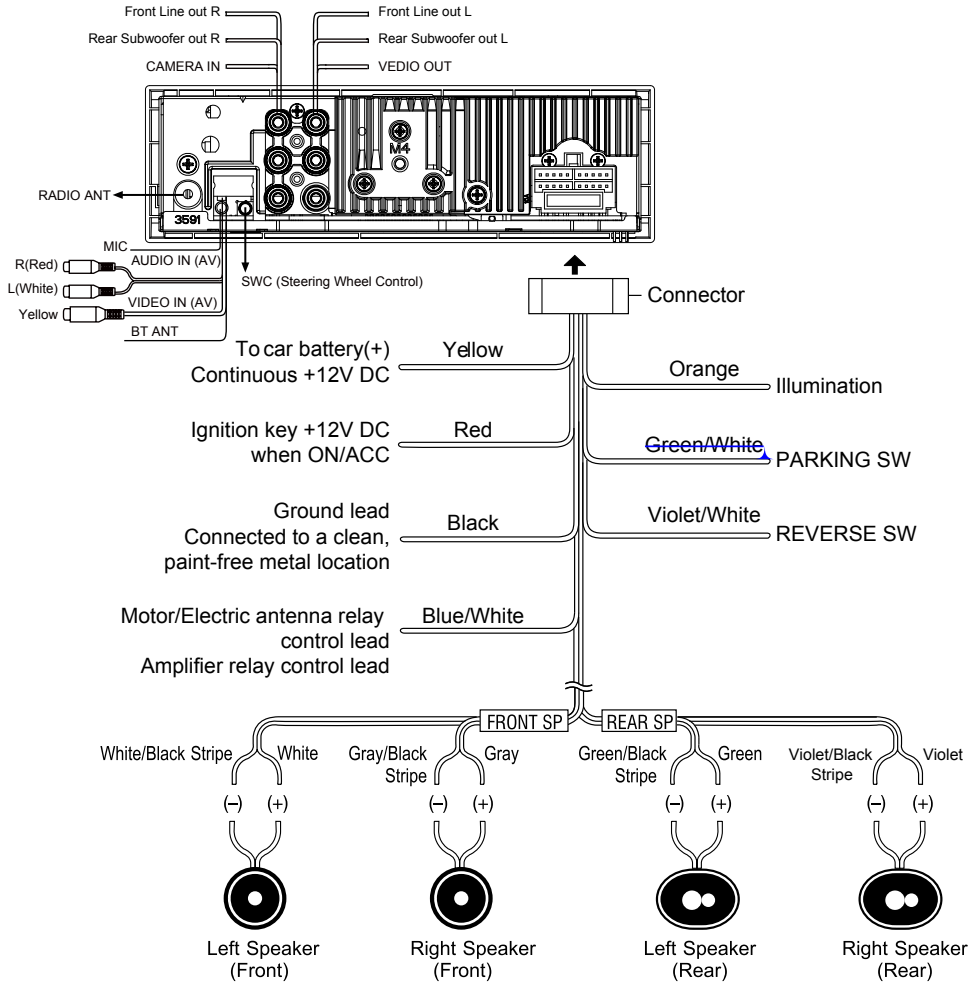
## Installation

- To prevent a short-circuit, overheating or malfunction, be sure to follow the directions below.
  - Disconnect the negative terminal of the battery before installation.
  - Secure the wiring with cable clamps or adhesive tape. Wrap adhesive tape around wiring that comes into contact with metal parts to protect the wiring.
  - Place all cables away from moving parts, such as the gear shift and seat rails.
  - Place all cables away from hot places, such as near the heater outlet.
  - Do not connect the yellow cable to the battery by passing it through the hole to the engine compartment.
  - Cover any disconnected cable connectors with insulating tape.
  - Do not shorten any cables.
  - Never cut the insulation of the power cable of this unit in order to share the power with other devices. The current capacity of the cable is limited.
  - Use a fuse of the rating prescribed.
  - Never wire the negative speaker cable directly to ground.
  - Never band together negative cables of multiple speakers.
- When this unit is on, control signals are sent through the blue/white cable. Connect this cable to the system remote control of an external power amp or the vehicle's auto-antenna relay control terminal (max. 300 mA 12 V DC).

If the vehicle is equipped with a glass antenna, connect it to the antenna booster power supply terminal.
- Never connect the blue/white cable to the power terminal of an external power amp.

Also, never connect it to the power terminal of the auto antenna. Doing so may result in battery drain or a malfunction.

Wiring diagram





## Installation

### Installation

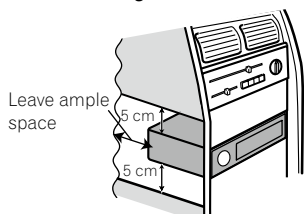
#### Before installing this unit

##### 1 Disconnect battery

Before you begin, always disconnect the battery negative terminal.

##### Notes

- If the unit is to be installed in a car equipped with an on-board drive or navigation computer, if the battery cable is disconnected, the computer memory may be lost. Under these conditions, use extra caution during installation to avoid causing a short circuit.
- When installing, to ensure proper heat dispersal when using this unit, make sure you leave ample space behind the rear panel and wrap any loose cables so they are not blocking the vents.



##### 2 Remove transport screws

##### ► Important

Remove these two transport screws before installation. Otherwise, the DVD player will not work.

##### 3 Remove unit from sleeve

Lift latches on both sides of sleeve to remove half-sleeve from the unit.

#### Control Cables

##### Auto Brightness Control

To avoid the display being too bright at night time, if the headlight cable is connected to ILLUMI, turning on the headlight will dim the backlight of the TFT LCD and vice versa.

##### Telephone Mute

~~If the MUTE cable is connected to a car phone, other audio outputs mute when one call is received by the car phone.~~

#### Reverse Driving

If a rear view camera is connected with the unit, the playing source switches to CAMERA automatically when you start reverse driving.

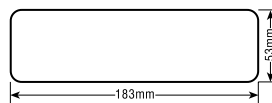
As the reverse driving is done, the playing source switches to the previous.

#### Parking Brake

- 1 If "PARKING SW" cable is connected to hand brake switch, video display on the TFT monitor will be controlled by this function. Parking cable function ceases when the playing source is CAMERA.
- 2 The monitor displays the black screen with warning information to prevent the driver watching video contents during driving, but the passengers at the rear seat can watch video contents normally.

#### Mounting sleeve installation

- 1 Slide the mounting sleeve off the chassis. If it is locked into position, use the removal tools (supplied) to disengage it.
- 2 Check the dashboard opening size by sliding the mounting sleeve into it.



If the opening is too small, carefully cut or file as necessary until the sleeve easily slides into the opening. Do not force the sleeve into the opening or cause it to bend or bow. Check for sufficient space behind the dashboard for the unit chassis.

This unit can be installed in any dashboard with a suitable 183 mm (W) x 53 mm (H) opening as shown above. The dashboard should be 4.75 mm to 5.56 mm thick in order to be able to support the unit.

- 3 Locate the series of bend tabs along the top, bottom, and sides of the mounting sleeve. With the sleeve fully inserted into the dashboard opening, bend as many of the tabs outward as necessary to firmly secure the sleeve to the dashboard (page 26).

**⚠ CAUTION**

For proper operation of the DVD player, the chassis must be mounted within 30° of horizontal. Make sure the unit is mounted within this limitation.

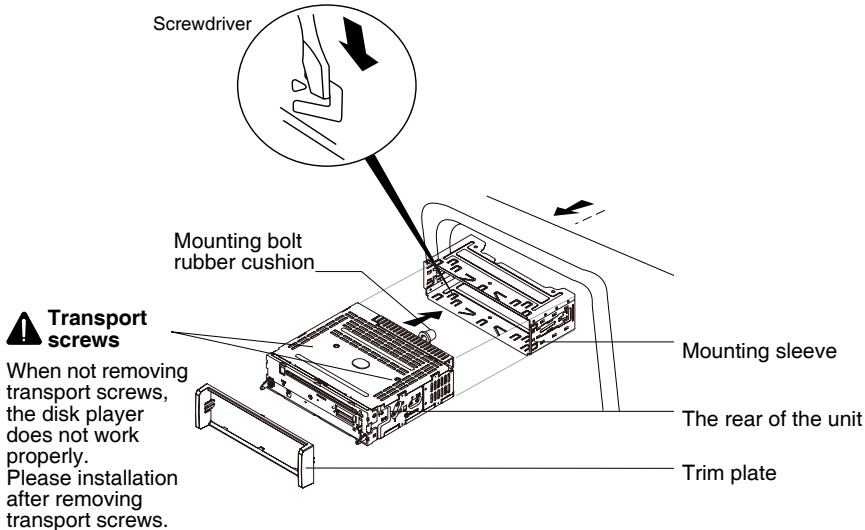
- 4 Place the unit in front of the dashboard opening so the wiring can be brought through the mounting sleeve. Follow the wiring diagram carefully and make certain all connections are secure and insulated with wire nuts or electrical tape. After completing the wiring connections, turn the unit on to confirm operation (vehicle ignition must be on). If the unit does not operate, re-check all wiring until the problem is corrected.
- 5 Make sure the radio is right-side up, then carefully slide the radio into the mounting sleeve until it is fully seated and the spring clips lock it into place. Optimum performance is obtained when the unit is installed at an angle of less than 20°.

- 6 Secure the rear of the unit to the car body using the mounting bolt and rubber cushion.
- 7 Test the unit using the "Operation" instructions that follow.

**Kit installation**

If your vehicle requires the use of an installation kit to mount this unit, follow the instructions included with the installation kit to attach the unit to the mounting plate supplied with the kit.

- 1 Wire and test the unit as outlined in the Mounting Sleeve Installation instructions.
- 2 Install the radio/mounting plate assembly to the sub-dashboard according to the instructions in the installation kit.
- 3 Replace the dashboard trim panel.

**Note**

Fix the trim plate at proper direction, the upper side is thicker than lower side.

## Installation

### ISO installation

This unit has threaded holes in the chassis side panels which may be used with the original factory mounting brackets of some vehicles to mount the radio to the dashboard. Please consult with your local car stereo shop for assistance on this type of installation.

- 1 Remove the existing factory radio from the dashboard or center console mounting. Save all hardware and brackets as they will be used to mount the new radio.
- 2 Carefully unsnap the plastic frame from the front of the new unit chassis. Remove and discard the frame.
- 3 Remove the factory mounting brackets and hardware from the existing unit and attach them to the new unit. Do not exceed M5 x 6mm maximum screw size. Longer screws may damage components inside the chassis.
- 4 Wire the new unit as outlined in the Mounting Sleeve Installation instructions.
- 5 Mount the new unit assembly to the dashboard or center console using the reverse procedure of step 1.

### Fuse

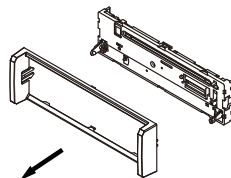
When replacing a fuse, make sure the new fuse is the correct type and amperage. Using an incorrect fuse could damage the radio.

### Reconnect battery

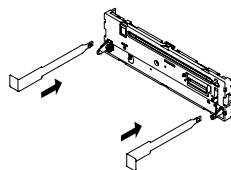
When wiring is complete, reconnect the battery negative terminal.

### Remove the Unit

- 1 Remove the panel (Reference page 9).
- 2 Remove the trim ring by firmly grasping one side and pulling.



- 3 Insert the removal keys straight back until they lock, then pull the radio out. If the removal keys are inserted at an angle, they will not lock properly and will not release the unit.



## Troubleshooting

### Common

Symptom	Cause	Action
The power will not turn on. The unit will not operate.	Leads and connectors are incorrectly connected.	Confirm once more that all connections are correct.
	The fuse is blown.	Rectify the cause and then replace the fuse. Be sure to install a fuse with the same rating.
	Noise and/or other factors are causing the built-in microprocessor to operate incorrectly.	Press [RESET].
	The power isn't enabled correctly.	Press [SRC] button to turn on the unit.
Operation with the remote control is not possible. The unit does not operate correctly even when the appropriate remote control buttons are pressed.	Battery power is low.	Load a new battery.
There is no sound. The volume level will not rise.	Cables are not connected correctly.	Connect the cables correctly.
There is no sound.	Mute is On at the time of the source of "AV/AUX."	Press [MUTE].
Demo mode always starts. System setting returns to initial state.	Wiring of "ACC+" and "Battery" are reversed each other.	Please confirm wiring of "Battery" and "ACC+". Refer to "Wiring diagram" (page 24)
The aspect ratio is incorrect and the image is stretched.	The aspect ratio setting is incorrect for the display.	Select the appropriate setting for your display.
There is no image displayed.	The parking brake cable is not connected.	Connect the parking brake cable, and apply the parking brake.
The image displayed stops (pauses) and the unit cannot be operated.	The data could no longer be read during playback.	Stop playback once, and start playback again.
There is no sound. The volume level is low.	The volume level is low.	Adjust the volume level.
The sound and video skip.	The unit is not firmly secured.	Firmly secure the unit.

## Additional information

Symptom	Cause	Action
Sub-folders cannot be played back.	Folder repeat play has been selected.	Select the repeat range again.
The repeat range changes automatically.	Another folder was selected during repeat play.	Select the repeat range again.
	Track search or fast forward/reverse was performed during file repeat play.	Select the repeat range again.

## Error messages

When you contact your dealer or your nearest Pioneer Service Center, be sure to note the error message.

Message	Cause	Action
Loading	Disc is being read.	Please wait, it may take several minutes for some disc or storage device.
	Disc is dirty.	Clean disc with soft cloth.
No Disc	Disc is upside down.	Insert disc with label side up.
	Disc not present in loading compartment.	Insert disc.
	Disc is dirty.	Clean disc with soft cloth.
ERROR DISC	Disc is upside down.	Insert disc with label side up.
	Disc format is not compatible with this unit.	Change another disc.
Video resolution not supported	The video resolution exceeds 720X576.	Change to a supported file.
WRONG REGION	DVD is not compatible with region code of unit.	Use discs with corresponding regional code.
Error	Illegal mechanism operation.	Press EJECT key for 5 seconds to reset loading mechanism.
AMP ERROR	Unit fails to operate or speaker connection is incorrect; protective circuit is activated.	Check the speaker connection. If the message fails to disappear even after the engine is switched off/on, contact your dealer or an authorized Pioneer Service Station for assistance.
Check USB	The USB over rated current.	Check the USB device or change the USB device.

## Handling guidelines

### Disc

- New discs may have some roughness around the edges. If such discs are used, the player may not work or the sound may skip. Use a ball-point pen or the like to remove any roughness from the edge of the disc.
- Never stick labels on the surface of the disc or mark the surface with a pencil or pen.
- Never play a disc with any cellophane tape or other glue on it or with peeling off marks. If you try to play such a disc, you may not be able to get it back out of the player or it may damage the player.
- Do not use discs that have large scratches, are misshapen, cracked, etc. Use of such discs may cause misoperation or damage.
- To remove a disc from its storage case, press down on the center of the case and lift the disc out, holding it carefully by the edges.
- Do not use commercially available disc protection sheets or discs equipped with stabilizers, etc. These may damage the disc or cause breakdown of the internal mechanism.
- This unit is not compatible with discs recorded in AVCHD (Advanced Video Codec High Definition) format. Do not insert AVCHD discs. If inserted, the disc may not be ejected.
- When using discs that can be printed on label surfaces, check the instructions and the warnings of the discs. Depending on the discs, inserting and ejecting may not be possible. Using such discs may result in damage to this equipment. Do not attach commercially available labels or other materials to the discs. The discs may warp making the disc unplayable. The labels may come off during playback and prevent ejection of the discs, which may result in damage to the equipment.
- Do not attach commercially available labels or other materials to the discs.
  - The discs may warp making the disc unplayable.

- The labels may come off during playback and prevent ejection of the discs, which may result in damage to the equipment.

### DualDisc

DualDiscs are two-sided discs that have a recordable CD for audio on one side and a recordable DVD for video on the other.

Playback of the DVD side is possible with this unit.

However, since the CD side of DualDiscs is not physically compatible with the general CD standard, it may not be possible to play the CD side with this unit.

Frequent loading and ejecting of a DualDisc may result in scratches on the disc.

Serious scratches can lead to playback problems on this unit. In some cases, a DualDisc may become stuck in the disc loading slot and will not eject.

To prevent this, we recommend you refrain from using DualDisc with this unit.

Please refer to the information from the disc manufacturer for more detailed information about DualDiscs.

### USB storage device

- Address any questions you have about your external storage device (USB) to the manufacturer of the device.
- Do not leave the external storage device (USB) in places with high temperatures.
- Depending on the external storage device (USB), the following problems may occur.
  - Operations may vary.
  - The storage device may not be recognized.
  - Files may not be played back properly.
- Connections via USB hub are not supported.
- Do not connect anything other than a USB storage device.
- Firmly secure the USB storage device when driving. Do not let the USB storage device fall onto the floor, where it may become jammed under the brake or accelerator pedal.
- Firmly secure the USB storage device when driving. Do not let the USB storage

## Additional information

- device fall onto the floor, where it may become jammed under the brake or accelerator pedal.
- Depending on the USB storage device, the device may cause noise to occur in the radio.
    - The device may generate noise in the radio.
  - This unit can play back files in the USB portable audio player/USB memory that is USB Mass Storage Class. However, copyright protected files that are stored in the USB devices cannot be played back.
  - You cannot connect a USB portable audio player/USB memory to this unit via USB hub.
  - Partitioned USB memory is not compatible with this unit.
  - Depending on the kind of USB portable audio player/USB memory you use, the device may not be recognized or audio files may not be played back properly.
  - Do not leave the USB portable audio player/USB memory in direct sunlight for extended amounts of time. Doing so may cause the device to malfunction from the extreme rise in temperature.
  - Up to 1 000 folders and 1 500 files can be recognized.
  - There may be a slight delay at the start of playback of audio files embedded with image data or audio files stored on a USB storage device that has numerous folder hierarchies.

### JPEG picture files

- JPEG is short for Joint Photographic Experts Group and refers to a still image compression technology standard.
- There is no progressive JPEG compatibility.
- EXIF format not support.

### ➤ Important

- When naming a JPEG image file, add the corresponding filename extension (.jpg, .jpeg, .jpe or .jfif).
- This unit plays back files with these filename extensions (.jpg, .jpeg, .jpe or .jfif) as a JPEG image file. To prevent malfunctions, do not use these

extensions for files other than JPEG image files.

### ⚠ CAUTION

Pioneer accepts no responsibility for data lost on the USB memory/USB portable audio player even if that data is lost while using this unit.

## Compressed audio compatibility (Disc, USB)

### WMA

File extension: .wma  
 Bit rate: 32 kbps to 320 kbps (CBR), VBR  
 Sampling frequency: 32 kHz to 48 kHz  
 Windows Media™ Audio Professional, Lossless, Voice/DRM Stream/Stream with video: Not compatible

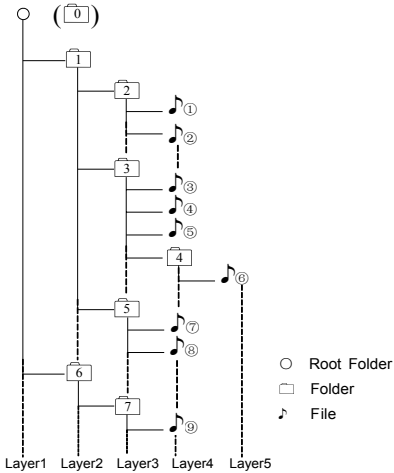
### MP3

File extension: .mp3  
 Bit rate: 8 kbps to 320 kbps (CBR), VBR  
 Sampling frequency: 8 kHz to 48 kHz  
 Compatible ID3 tag version: 1.0, 2.3 (ID3 tag Version 2.3 is given priority over Version 1.0.)  
 M3u playlist: Not compatible  
 MP3i (MP3 interactive), mp3 PRO: Not compatible

### DivX compatibility

Compatible format: DivX video format implemented in relation to DivX standards.  
 File extensions: .avi or .divx  
 DivX Ultra format: Not compatible  
 DivX HD format: Not compatible  
 DivX files without video data: Not compatible  
 DivX plus: Not compatible  
 Compatible audio codec: MP2, MP3, Dolby Digital  
 LPCM: Compatible  
 Bit rate: 8 kbps to 320 kbps (CBR), VBR  
 Sampling frequency: 8 kHz to 48 kHz  
 Compatible external subtitle file extension: .srt, .txt

### Example of a hierarchy



### External storage device (USB)

The playback sequence is the same as the recorded sequence in the external storage device (USB).

To specify the playback sequence, the following method is recommended.

- 1 Create a file name that includes numbers that specify the playback sequence (e.g., 01xxx.mp3 and 099yyy.mp3).
- 2 Put those files into a folder.
- 3 Save the folder that contains the files to the external storage device (USB).

However, depending on the system environment, you may not be able to specify the playback sequence.

For USB portable audio players, the sequence is different and depends on the player. ■

### Using the display correctly

#### ⚠ CAUTION

- If liquid or foreign matter should get inside this unit, turn off the power immediately and consult your dealer or the nearest authorized PIONEER Service Station. Do not use the unit in this condition because doing so may result in fire, electric shock, or other failure.

- If you notice smoke, a strange noise or smell, or any other abnormal signs from the display, turn off the power immediately and consult your dealer or the nearest authorized PIONEER Service Station. Using this unit in this condition may result in permanent damage to the system.
- Do not disassemble or modify this unit, as there are high-voltage components inside which may cause electric shock. Be sure to consult your dealer or the nearest authorized PIONEER Service Station for internal inspection, adjustments, or repairs.

### Handling the display

- When the display is subjected to direct sunlight for a long period of time, it will become very hot resulting in possible damage to the LCD screen. You should avoid exposing the display unit to direct sunlight as much as possible.
- The display should be used within the temperature range of  $-20^{\circ}\text{C}$  to  $+60^{\circ}\text{C}$ . At temperatures higher or lower than this operating temperature range, the display may not operate normally.

### Liquid crystal display (LCD) screen

- Heat from the heater may damage the LCD screen, and cool air from the cooler may cause moisture to form inside the display resulting in possible damage. Also, if the display is cooled down by the cooler, the screen may become dark, or the life span of the small fluorescent tube used inside the display may be shortened.
- Small black dots or white dots (bright dots) may appear on the LCD screen. These are due to the characteristics of the LCD screen and do not indicate a malfunction.
- When using a cellular phone, keep the antenna away from the display to prevent disruption of the video image by the appearance of spots, colored stripes, etc.

### LED (light-emitting diode) backlight

- At low temperatures, using the LED backlight may increase image lag and




## Additional information

degrade the image quality due to the characteristics of the LCD screen. Image quality will improve with an increase in temperature.

- To protect the LED backlight, the display will darken in the following environments:
  - In the direct sunlight
  - Near the heater vent
- The product lifetime of the LED backlight is more than 10 000 hours. However, it may decrease if used in high temperatures.
- If the LED backlight reaches the end of its product lifetime, the screen will become dark and the image will no longer be projected. In such cases, please consult your dealer or the nearest authorized PIONEER Service Station.

### Copyright and trademark

#### DVD video

 is a trademark of DVD Format/Logo.

#### Rovi

This item incorporates copy protection technology that is protected by U.S. patents and other intellectual property rights of Rovi Corporation. Reverse engineering and disassembly are prohibited.

This item incorporates copy protection technology that is protected by U.S. patents and other intellectual property rights of Rovi Corporation. Reverse engineering and disassembly are prohibited.

#### MP3

Supply of this product only conveys a license for private, non-commercial use and does not convey a license nor imply any right to use this product in any commercial (i.e. revenue-generating) real time broadcasting (terrestrial, satellite, cable and/or any other media), broadcasting/streaming via internet, intranets and/or other networks or in other electronic content distribution systems, such as pay-audio or audio-on-demand applications. An independent license for such use is required. For details, please visit <http://www.mp3licensing.com>.

#### WMA

Windows Media is either a registered trademark or trademark of Microsoft Corporation in the United States and/or other countries.

This product includes technology owned by Microsoft Corporation and cannot be used or distributed without a license from Microsoft Licensing, Inc.

#### DivX®

“DivX®”, DivX Certified® and associated logos are trademarks of Rovi Corporation or its subsidiaries and are used under license.

**ABOUT DIVX VIDEO:** DivX® is a digital video format created by DivX, LLC, a subsidiary of Rovi Corporation. This is an official DivX Certified® device that plays DivX video. Visit [divx.com](http://divx.com) for more information and software tools to convert your files into DivX video.

**ABOUT DIVX VIDEO-ON-DEMAND:** This DivX Certified® device must be registered in order to play purchased DivX Video-on-Demand (VOD) movies. To obtain your registration code, locate the DivX VOD section in setting menu. Go to [vod.divx.com](http://vod.divx.com) for more information on how to complete your registration.

#### Dolby Digital

Manufactured under license from Dolby Laboratories. “Dolby” and the double-D symbol are trademarks of Dolby Laboratories.

#### Bluetooth

The Bluetooth® word mark and logos are registered trademarks owned by Bluetooth SIG, Inc. and any use of such marks by PIONEER CORPORATION is under license. Other trademarks and trade names are those of their respective owners.

#### Android™ & Google Play

Android and Google Play are trademarks of Google Inc.

## Specifications

### General

Rated power source:	14.4 V cc (12.0 V to 14.4 V allowable)
Grounding system:	Negative type
Maximum current consumption:	10.0 A
Dimensions (W × H × D):	
Chassis:	178 mm × 50 mm × 165 mm
Nose:	188 mm × 58 mm × 22 mm
Weight:	1.4 kg

### Display

Screen size/aspect ratio:	3.5 inch wide/16:9 (effective display area: 76.80 mm × 43.20 mm)
Pixels:	320 × (RGB) × 240
Display method:	TFT active matrix
Durable temperature range (power off) ...	-20 °C to + 60 °C

### DVD Player

System:	DVD video, Video CD, CD,WMA, MP3, DivX, JPEG system
Usable discs:	DVD video, Video CD, CD, CD-R/RW, DVD±R/RW/ R DL
Region number:	4 for Latin America models 2 for Middle East Asian models
Frequency response:	20 Hz to 20 kHz (with DVD, at sampling frequency 96 kHz)
Signal-to-noise ratio:	75 dB (1 kHz) (IEC-A network) (RCA level)
Output level:	
Video:	1.0 Vp-p/75 Ω (±0.2 V)
Number of channels:	2 (stereo)
MP3 decoding format:	MPEG-1 & 2 Audio Layer 3
WMA decoding format:	Ver. 7, 7.1, 8, 9, 10, 11 (2ch audio) (Windows Media Player)
DivX decoding format:	Home Theater Ver. 3, 4, 5.2, 6 (.avi, .divx)
DVD video output:	NTSC

### Audio

Maximum power output:	50 W × 4
Continuous power output ...	22 W × 4 (50 Hz to 15 000 Hz, 5 %THD, 4 Ω load, both channels driven)
Load impedance:	4 Ω (4 Ω to 8 Ω allowable)
Preout maximum output level:	4.0 V
Equalizer (3-Band Graphic Equalizer):	
Frequency:	100Hz/1kHz/10kHz
Gain:	-14 to +14 dB

## Additional information

### Subwoofer (mono):

Frequency ..... 80 Hz/120 Hz/160 Hz  
Gain ..... -79 dB to 0 dB

### USB

USB standard specification: ..... USB 1.1, USB 2.0 full speed  
Maximum current supply ..... 500 mA  
File system: ..... FAT16, FAT32

### FM tuner

Frequency range: ..... 87.5 MHz to 108.0 MHz)  
Usable sensitivity ..... 10 dB $\mu$  (S/N: 30 dB)

### AM tuner

Frequency range: ..... 531 kHz to 1 602 kHz (9 kHz)  
..... 530 kHz to 1 640 kHz (10 kHz)  
Usable sensitivity: ..... 30 dB $\mu$  (S/N: 20 dB)

### Bluetooth

Version ..... Bluetooth 2.0 certified  
Output power ..... +4 dBm Maximum (Power class 2)

### Note

Specifications and the design are subject to modifications without notice.

Visit us on the World Wide Web at

<http://pioneer.jp/group/index-e.html>

**<Middle East & Africa>**

*Pioneer Gulf.FZE*

<http://www.pioneer-uae.com>

**<Oceania>**

*Pioneer Electronics Australia. Pty. Ltd.*

<http://www.pioneer.com.au>

**<Asia>**

*Pioneer Electronics Asiacentre.Pte*

<http://www.pioneer.com.sg>

*Pioneer (HK) Ltd.*

<http://www.pioneerhongkong.com.hk>

*Pioneer High Fidelity Taiwan Co., Ltd.*

<http://www.pioneer-twn.com.tw>

**<Latin>**

*Pioneer International Latin America S.A.* <http://www.pioneer-latin.com>

**PIONEER CORPORATION**

1-1, Shin-ogura, Saiwai-ku, Kawasaki-shi,  
Kanagawa 212-0031, JAPAN

**PIONEER ELECTRONICS (USA) INC.**

P.O. Box 1540, Long Beach, California 90801-1540, U.S.A.  
TEL: (800) 421-1404

**PIONEER EUROPE NV**

Haven 1087, Keetberglaan 1, B-9120 Melsele, Belgium/Belgique  
TEL: (0) 3/570.05.11

**PIONEER ELECTRONICS ASIACENTRE PTE. LTD.**

253 Alexandra Road, #04-01, Singapore 159936  
TEL: 65-6472-7555

**PIONEER ELECTRONICS AUSTRALIA PTY. LTD.**

5 Arco Lane, Heatherton, Victoria, 3202 Australia  
TEL: (03) 9586-6300

**PIONEER ELECTRONICS OF CANADA, INC.**

340 Ferrier Street, Unit 2, Markham, Ontario L3R 2Z5, Canada  
TEL: 1-877-283-5901  
TEL: 905-479-4411

**PIONEER ELECTRONICS DE MEXICO, S.A. de C.V.**

Blvd.Manuel Avila Camacho 138 10 piso  
Col.Lomas de Chapultepec, Mexico, D.F. 11000  
TEL: 55-9178-4270

先鋒股份有限公司

台北市內湖區瑞光路407號8樓

電話: 886-(0)2-2657-3588

先鋒電子(香港)有限公司

香港九龍長沙灣道909號5樓

電話: 852-2848-6488

© 2014 PIONEER CORPORATION.  
All rights reserved.