




RADIO TEST REPORT


Test Report No.: 32DE0001-SH-01-A

Applicant : PIONEER CORPORATION
Type of Equipment : DVD RDS AV RECEIVER
Model No. : AVH-P8400BH
FCC ID : AJDK048
Test regulation : FCC Part15 Subpart C: 2011
Test result : Complied

1. This test report shall not be reproduced in full or partial, without the written approval of UL Japan, Inc.
2. The results in this report apply only to the sample tested.
3. This sample tested is in compliance with the limits of the above regulation.
4. The test results in this test report are traceable to the national or international standards.
5. This test report must not be used by the customer to claim product certification, approval, or endorsement by any agency of the Federal Government.
6. The opinions and the interpretations to the result of the description in this report are outside scopes where UL Japan has been accredited.

Date of test: November 28 to 30, 2011

Tested by: 
Akio Hayashi
Engineer of WiSE Japan,
UL Verification Service

Approved by : 
Ichiro Isozaki
Leader of WiSE Japan,
UL Verification Service

- The testing in which "Non-accreditation" is displayed is outside the accreditation scopes in UL Japan.
 There is no testing item of "Non-accreditation".



UL Japan, Inc.
Shonan EMC Lab.

1-22-3 Megumigaoka, Hiratsuka-shi, Kanagawa-ken, 259-1220 JAPAN
Telephone : +81 463 50 6400
Facsimile : +81 463 50 6401

13-EM-F0429

Contents

	<u>Page</u>
SECTION 1: Customer information.....	3
SECTION 2: Equipment under test (E.U.T.)	3
SECTION 3: Test specification, procedures & results.....	5
SECTION 4: Operation of E.U.T. during testing.....	8
SECTION 5: Carrier frequency separation.....	11
SECTION 6: 20dB bandwidth & Occupied bandwidth (99%)	11
SECTION 7: Number of hopping frequency	11
SECTION 8: Dwell time	11
SECTION 9: Maximum peak output power	11
SECTION 10: Spurious emissions (Antenna port conducted).....	11
SECTION 11: Radiated emission.....	12
Contents of APPENDIXES.....	14
APPENDIX 1: Test data.....	15
APPENDIX 2: Test instruments	55
APPENDIX 3: Photographs of test setup	56

UL Japan, Inc.

Shonan EMC Lab.

1-22-3 Megumigaoka, Hiratsuka-shi, Kanagawa-ken, 259-1220 JAPAN

Telephone : +81 463 50 6400

Facsimile : +81 463 50 6401

SECTION 1: Customer information

Company Name : PIONEER CORPORATION
Brand name : Pioneer
Address : 25-1 Aza-Nishi-machi, Yamada, Kawagoe-shi, Saitama, 350-8555, JAPAN
Telephone Number : +81-49-228-6415
Facsimile Number : +81-49-228-6493
Contact Person : Makoto Kaieda

SECTION 2: Equipment under test (E.U.T.)

2.1 Identification of E.U.T.

Type of Equipment : DVD RDS AV RECEIVER
Model No. : AVH-P8400BH
Serial No. : See Section 4
Rating : DC 12.0V
Country of Mass-production : China
Condition of EUT : Engineering prototype
(Not for Sale: This sample is equivalent to mass-produced items.)
Modification of EUT : No modification by the test lab.
Receipt Date of Sample : November 28, 2011

UL Japan, Inc.

Shonan EMC Lab.

1-22-3 Megumigaoka, Hiratsuka-shi, Kanagawa-ken, 259-1220 JAPAN

Telephone : +81 463 50 6400

Facsimile : +81 463 50 6401

2.2 Product description

Model: AVH-P8400BH (referred to as the EUT in this report) is a DVD RDS AV RECEIVER.

Clock Frequency:

- (1) FM/AM TUNER: 36.48MHz
- (2) DVD DRIVE
 - DVD DECODER: 27MHz, 33.8688MHz, 36.864MHz, 33.8MHz, 40.5MHz, 67.5MHz, 108MHz
 - Motor Driver: 100kHz
- (3) DC-DC CONVERTER: 365.78kHz/413.9kHz, 477kHz / 524kHz
- (4) SYSTEM MICRO COMPUTER: 3.93216MHz, 47.18592MHz -45.29848MHz
- (5) RISC MICROCOMPUTER: 500MHz, 166.7MHz, 41.7MHz, 27MHz, 22.5792MHz, 48MHz, 33.333MHz
- (6) Bluetooth module OSC: 26MHz
- (7) LCD BACK LIGHT DRIVER: 476.6kHz / 515.7kHz
- (8) VIDEO DECORDER 27MHz, 33.231MHz, 33.333MHz, 32MHz

Equipment type	: Transceiver
Frequency of operation	: 2402-2480.0MHz
Bandwidth & channel spacing	: 1MHz
Type of modulation	: GFSK, $\pi/4$ DQPSK, 8DPSK
Antenna type	: PWB pattern antenna
Antenna gain with cable loss	: -8.2dBi (max)
Antenna connector type	: None
Operation temperature range	: -10 to +60 deg.C.

FCC 15.31 (e)

The equipment provides the Bluetooth transmitter with stable power supply (DC1.8V and DC3.3V). Therefore, the equipment complies with the requirement.

FCC Part 15.203

The equipment and its antenna comply with this requirement since this antenna is built in the equipment and it cannot be replaced by end users.

SECTION 3: Test specification, procedures & results

3.1 Test specification

Test specification : FCC Part 15 Subpart C: 2011, final revised on July 8, 2011 and effective August 8, 2011

Title : FCC 47CFR Part15 Radio Frequency Device Subpart C Intentional Radiators
Section 15.207 Conducted limits
Section 15.209 Radiated emission limits, general requirements
Section 15.247 Operation within the bands 902-928MHz, 2400-2483.5MHz,
and 5725-5850MHz

The EUT complies with FCC Part 15 Subpart B. The test is performed by the customer.

3.2 Procedures & Results

Item	Test Procedure	Specification	Remarks	Deviation	Worst Margin	Results
Conducted emission	ANSI C63.4:2003 7. AC powerline conducted emission measurements	FCC Section 15.207	-	N/A *1)	-	N/A *1)
Carrier frequency separation	FCC Public Notice DA 00-705 & ANSI C63.4:2003 13. Measurement of intentional radiators	FCC Section15.247 (a)(1)	Conducted	N/A	*See data.	Complied
20dB bandwidth	FCC Public Notice DA 00-705 & ANSI C63.4:2003 13. Measurement of intentional radiators	FCC Section15.247 (a)(1)	Conducted	N/A		Complied
Number of hopping frequency	FCC Public Notice DA 00-705 & ANSI C63.4:2003 13. Measurement of intentional radiators	FCC Section15.247 (a)(1)(iii)	Conducted	N/A		Complied
Dwell time	FCC Public Notice DA 00-705 & ANSI C63.4:2003 13. Measurement of intentional radiators	FCC Section15.247 (a)(1)(iii)	Conducted	N/A		Complied
Maximum peak output power	FCC Public Notice DA 00-705 & ANSI C63.4:2003 13. Measurement of intentional radiators	FCC Section15.247 (b)(1)	Conducted	N/A		Complied
Band edge compliance & Spurious emission	FCC Public Notice DA 00-705 & ANSI C63.4:2003 13. Measurement of intentional radiators	FCC Section15.247 (d) Section15.209	Conducted/ Radiated	N/A		3.4dB (152.393MHz, Horizontal, Quasi Peak, Tx 2441MHz, 3-DH5)

Note: UL Japan's Work Procedures No. 13-EM-W0420 and 13-EM-W0422

*1) The test is not applicable since the EUT has no AC mains.

*2) No spurious noise was detected at the frequency range of 9kHz to 30MHz.

UL Japan, Inc.

Shonan EMC Lab.

1-22-3 Megumigaoka, Hiratsuka-shi, Kanagawa-ken, 259-1220 JAPAN

Telephone : +81 463 50 6400

Facsimile : +81 463 50 6401

3.3 Addition to standard

Item	Test Procedure	Specification	Remarks	Worst Margin	Results
Occupied Bandwidth (99%)	ANSI C63.4:2003 13. Measurement of intentional radiators, RSS-Gen 4.6.1	RSS-Gen 4.6.1	Conducted	-	N/A *1)
Note: UL Japan's Work Procedures No. 13-EM-W0420 and 13-EM-W0422					

* Other than above, no addition, exclusion nor deviation has been made from the standard.

3.4 Uncertainty

The following uncertainties have been calculated to provide a confidence level of 95% using a coverage factor k=2.

Item	Frequency range	No.1 SAC ^{*1} /SR ^{*2} (±)	No.2 SAC/SR (±)	No.3 SAC/SR (±)
Radiated emission (Measurement distance: 3m)	30MHz-300MHz	4.9 dB	5.1 dB	5.0 dB
	300MHz-1GHz	5.0 dB	5.2 dB	5.0 dB
	1GHz-13GHz	4.8 dB	4.8 dB	4.9 dB
Radiated emission (Measurement distance: 1m)	13GHz-18GHz	5.6 dB	5.6 dB	5.6 dB
	18GHz-40GHz	4.8 dB	4.3 dB	4.4 dB

*1: SAC=Semi-Anechoic Chamber

*2: SR= Shielded Room is applied besides radiated emission

*3: Value of Antenna Terminal Voltage measurement is also applies to the No.5 and No.6 Shielded Room.

Radiated emission test

The data listed in this report meets the limits unless the uncertainty is taken into consideration.

Antenna port conducted test

Power Measurement uncertainty above 1GHz for this test was: (±) 1.9dB

Conducted emissions, Power Density Measurement (below 1GHz) uncertainty for this test was: (±) 1.8dB

Conducted emissions, Power Density Measurement (1G-3GHz) uncertainty for this test was: (±) 2.3dB

Conducted emissions, Power Density Measurement (3G-18GHz) uncertainty for this test was: (±) 3.6dB

Conducted emissions Measurement (18G-26.5GHz) uncertainty for this test was: (±) 4.0dB

Bandwidth Measurement uncertainty for this test was: (±) 5.4%

UL Japan, Inc.

Shonan EMC Lab.

1-22-3 Megumigaoka, Hiratsuka-shi, Kanagawa-ken, 259-1220 JAPAN

Telephone : +81 463 50 6400

Facsimile : +81 463 50 6401

3.5 Test location

UL Japan, Inc. Shonan EMC Lab.

1-22-3, Megumigaoka, Hiratsuka-shi, Kanagawa-ken 259-1220 JAPAN

Telephone number : +81 463 50 6400

Facsimile number : +81 463 50 6401

JAB Accreditation No. : RTL02610

	FCC Registration No.	IC Registration No.	Width x Depth x Height (m)	Size of reference ground plane (m) / horizontal conducting plane	Maximum measurement distance
<input type="checkbox"/> No.1 Semi-anechoic chamber	697847	2973D-1	20.6 x 11.3 x 7.65	20.6 x 11.3	10m
<input type="checkbox"/> No.2 Semi-anechoic chamber	697847	2973D-2	20.6 x 11.3 x 7.65	20.6 x 11.3	10m
<input checked="" type="checkbox"/> No.3 Semi-anechoic chamber	697847	2973D-3	12.7 x 7.7 x 5.35	12.7 x 7.7	5m
<input type="checkbox"/> No.4 Full-anechoic chamber	-	-	8.1 x 5.1 x 3.55	8.1 x 5.1	-
<input type="checkbox"/> No.1 shielded room	-	-	6.8 x 4.1 x 2.7	6.8 x 4.1	-
<input type="checkbox"/> No.2 shielded room	-	-	6.8 x 4.1 x 2.7	6.8 x 4.1	-
<input type="checkbox"/> No.3 shielded room	-	-	6.3 x 4.7 x 2.7	6.3 x 4.7	-
<input type="checkbox"/> No.4 shielded room	-	-	4.4 x 4.7 x 2.7	4.4 x 4.7	-
<input checked="" type="checkbox"/> No.5 shielded room	-	-	7.8 x 6.4 x 2.7	7.8 x 6.4	-
<input type="checkbox"/> No.6 shielded room	-	-	7.8 x 6.4 x 2.7	7.8 x 6.4	-

3.6 Test setup, Data of EMI & Test instruments

Refer to APPENDIX 1 to 3.

UL Japan, Inc.

Shonan EMC Lab.

1-22-3 Megumigaoka, Hiratsuka-shi, Kanagawa-ken, 259-1220 JAPAN

Telephone : +81 463 50 6400

Facsimile : +81 463 50 6401

SECTION 4: Operation of E.U.T. during testing

4.1 Operating mode

Test item	Operating mode	Tested frequency
Carrier frequency separation	Transmitting Hopping ON (DH5/3DH5)/Inquiry, Payload: PRBS9	-
20dB bandwidth	Transmitting Hopping OFF (DH5/3DH5)/Inquiry, Payload: PRBS9	2402MHz, 2441MHz, 2480MHz
Number of hopping frequency	Transmitting Hopping ON (DH5/3DH5)/Inquiry, Payload: PRBS9	-
Dwell time	Transmitting (Hopping ON), Payload: PRBS9 -DH1, -DH3, -DH5 -3DH1, -3DH3, -3DH5 ----- -Inquiry	-
Maximum peak output power	Transmitting (Hopping OFF), Payload: PRBS9 -DH5, -2DH5, -3DH5	2402MHz, 2441MHz, 2480MHz
Band edge compliance & Spurious emission (Conducted)	Transmitting (DH5/3DH5), Payload: PRBS9 -Hopping ON -Hopping OFF	Band edge compliance: 2402MHz, 2480MHz
(Radiated)	Transmitting (DH5/3DH5), Payload: PRBS9	Spurious emission: 2402MHz, 2441MHz, 2480MHz
99% occupied bandwidth	Transmitting (DH5/3DH5), Payload: PRBS9 -Hopping ON -Hopping OFF	2402MHz, 2441MHz, 2480MHz

*As a result of preliminary test, the formal test was performed with the above modes, which had the maximum payload (except Dwell time test).

*Remarks: Test was not performed at AFH mode, because the decrease of number of channel (min: 20ch) at AFH mode does not influence on the output power and bandwidth of the EUT.
As this device had AFH mode and frequency separation could not meet the requirement of over 20dB BW without 2/3 relaxation, 125mW power limit was applied to it

*EUT has the power settings by the software as follows;

Power settings: 4

Software: CWW4191

Justification: The system was configured in typical fashion (as customer would normally use it) for testing.

UL Japan, Inc.

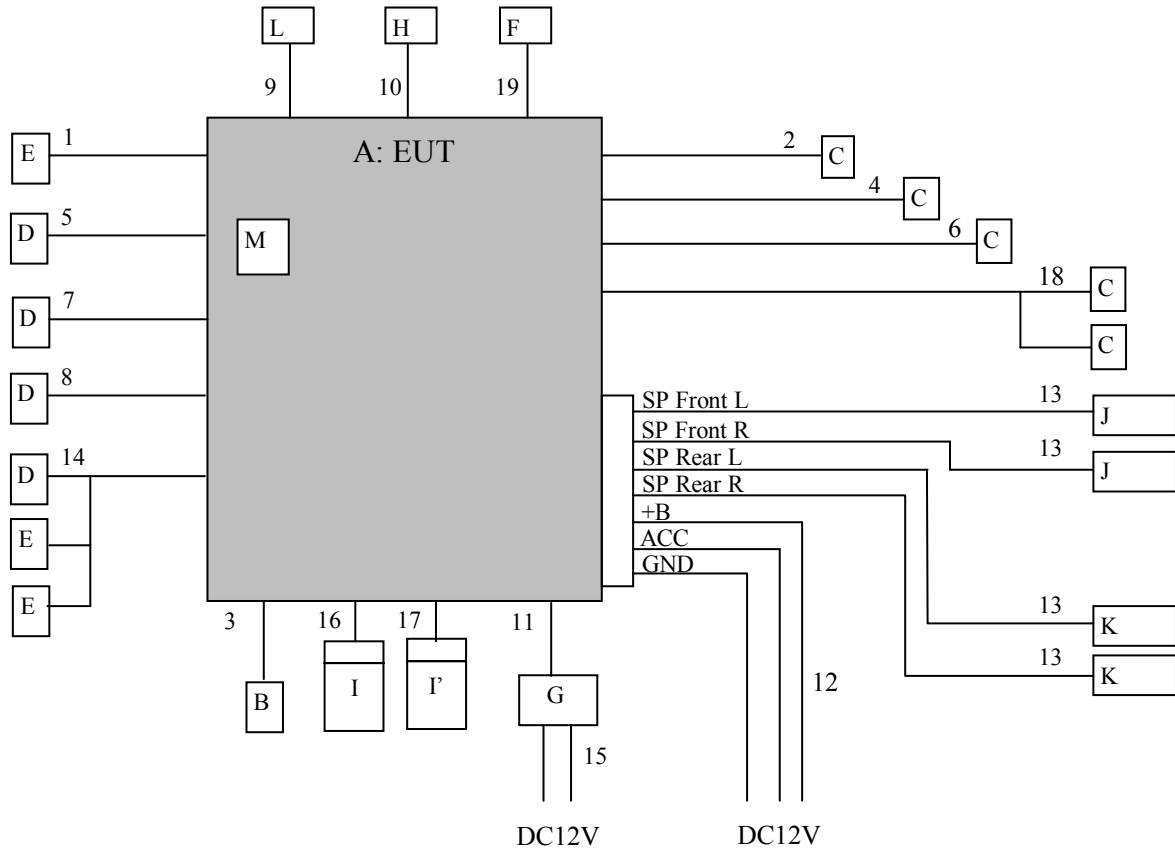
Shonan EMC Lab.

1-22-3 Megumigaoka, Hiratsuka-shi, Kanagawa-ken, 259-1220 JAPAN

Telephone : +81 463 50 6400

Facsimile : +81 463 50 6401

4.2 Configuration of tested system



* Test data was taken under worse case conditions.

Description of EUT and support equipment

No.	Item	Model number	Serial number	Manufacturer	Remarks
A	DVD RDS AV RECEIVER	AVH-P8400BH	KITM000012UC *1) KITM000021UC *2)	PIONEER	EUT
B	Terminal Resister (75ohm)	-	-	-	-
C	Terminal Resister (15kohm)	-	-	-	-
D	Terminal Resister (75ohm)	-	-	-	-
E	Terminal Resister (1kohm)	-	-	-	-
F	Terminal Resister (1kohm)	-	-	-	-
G	DVD Changer	XDV-P6	-	PIONEER	-
H	Wired Remote	RM-X2S	-	SONY	-
I	USB Memory	RUF3-S16GS-BK	-	BUFFALO	-
I'	USB Memory	-	-	TDK	-
J	Terminal Resister (4ohm)	-	-	-	-
K	Speaker	TS-X350	-	PIONEER	
L	Hands-Free Microphone	-	-	PIONEER	
M	SDHC MEMORY CARD	MF-FSDH08GC6	-	ELECOM	

*1) Used for Antenna Terminal conducted tests.

*2) Used for Radiated Emission tests.

List of cables used

No.	Cable name	Length (m)	Shield		Remark
			Cable	Connector	
1	Audio	2.1	Unshielded	Unshielded	R IN / L IN
2	RCA	6.0	Unshielded	Unshielded	SW L / SW R
3	Antenna	0.2	Shielded	Shielded	-
4	RCA	6.0	Unshielded	Unshielded	FL / FR
5	Video	1.7	Unshielded	Unshielded	RC In
6	RCA	6.0	Unshielded	Unshielded	RL / RR
7	Video	1.3	Unshielded	Unshielded	V IN
8	Video	1.3	Unshielded	Unshielded	V OUT
9	MIC	3.5	Shielded	Shielded	Packages it with EUT
10	Wired remote	1.7	Unshielded	Unshielded	W / R
11	Communication	2.3	Shielded	Unshielded	-
12	DC	2.1	Unshielded	Unshielded	Packages it with EUT
13	Speaker	6.4	Unshielded	Unshielded	-
14	Quads mini Jack	1.5	Unshielded	Unshielded	AUX
15	DC	2.6	Unshielded	Unshielded	-
16	USB extension	1.5	Shielded	Shielded	Packages it with EUT
17	USB extension	1.5	Shielded	Shielded	-
18	Mini Jack	1.5	Unshielded	Unshielded	REAR AUDIO OUT

*All cables used for the measurement are exclusive use or marketed.

UL Japan, Inc.**Shonan EMC Lab.**

1-22-3 Megumigaoka, Hiratsuka-shi, Kanagawa-ken, 259-1220 JAPAN

Telephone : +81 463 50 6400

Facsimile : +81 463 50 6401

SECTION 5: Carrier frequency separation

Test procedure

The carrier frequency separation was measured with a spectrum analyzer connected to the antenna port.

Summary of the test results: Pass
Refer to APPENDIX

SECTION 6: 20dB bandwidth & Occupied bandwidth (99%)

Test procedure

The bandwidth was measured with a spectrum analyzer connected to the antenna port.

Summary of the test results: Pass
Refer to APPENDIX

SECTION 7: Number of hopping frequency

Test procedure

The Number of Hopping Frequency was measured with a spectrum analyzer connected to the antenna port.

Summary of the test results: Pass
Refer to APPENDIX

SECTION 8: Dwell time

Test procedure

The Dwell time was measured with a spectrum analyzer connected to the antenna port.

Summary of the test results: Pass
Refer to APPENDIX

SECTION 9: Maximum peak output power

Test procedure

The Maximum Peak Output Power was measured with a power meter connected to the antenna port.

Summary of the test results: Pass
Refer to APPENDIX

SECTION 10: Spurious emissions (Antenna port conducted)

Test procedure

The Out of Band Emissions was measured with a spectrum analyzer connected to the antenna port.
In any 100kHz bandwidth outside the frequency band in which the spread spectrum intentional radiator is operating, the radio frequency power that is produced by the intentional radiator confirmed 20dB below that in the 100kHz bandwidth within the band that contains the highest level of the desired power, based on a radiated measurement.
In the frequency range below 30MHz, RBW was narrowed to separate the noise contents.
Then, wide-band noise near the limit was checked separately, however the noise was not detected as shown in the chart.

(9kHz-150kHz:RBW=200Hz, 150kHz-30MHz:RBW=10kHz)

Summary of the test results: Pass
Refer to APPENDIX

UL Japan, Inc. Shonan EMC Lab.

1-22-3 Megumigaoka, Hiratsuka-shi, Kanagawa-ken, 259-1220 JAPAN
Telephone : +81 463 50 6400
Facsimile : +81 463 50 6401

SECTION 11: Radiated emission

11.1 Operating environment

The test was carried out in No. 3 Semi-Anechoic Chamber.

Temperature : See test data (APPENDIX)

Humidity : See test data (APPENDIX)

11.2 Test configuration

EUT was placed on a platform of nominal size, 1m by 2.0m, raised 80cm above the conducting ground plane.

The table is made of Styrofoam and covered with polyvinyl chloride. That has very low permittivity.

The rear of EUT, including its peripherals was aligned and flushed with rear of tabletop. I/O cables that were connected to the peripherals were bundled in center. They were folded back and for the forming a bundle 30cm to 40cm long and were hanged at a 40cm height to the ground plane.

Test was made with the antenna positioned in both the horizontal and vertical planes of polarization. The measurement antenna was varied in height above the conducting ground plane to obtain the maximum signal strength. Photographs of the set up are shown in APPENDIX.

11.3 Test conditions

Frequency range : 30MHz to 25GHz

Test distance : 3m(below 13GHz) / 1m(above13GHz)

EUT position : Table top

11.4 Test procedure

The Radiated Electric Field Strength intensity has been measured on a semi-anechoic chamber with a ground plane and at a distance of 3m(below 13GHz) / 1m(above 13GHz) (Refer to Figure 1). Measurements were performed with quasi-peak, peak and average detector. The measuring antenna height was varied between 1 and 4m and EUT was rotated a full revolution in order to obtain the maximum value of the electric field intensity. The measurements were performed for both vertical and horizontal antenna polarization.

The radiated emission measurements were made with the following detection of the test receiver.

Frequency	:	30-1,000MHz	1 - 25GHz	
Detection Type	:	Quasi-Peak	Peak	* Average
IF Bandwidth	:	120kHz	RBW:1MHz/VBW:3MHz	RBW:1MHz/VBW:See data

* When using Spectrum analyzer, the test was made with adjusting span to zero by using peak hold.

* The VBW was based on the inverse of the duty cycle (Refer to Appendix).

EUT can change the installation angle from 0 to 30 degrees. So we identified a difference at the 0 degree and 30 degrees in advance.

Then the EUT was set at 0 degree at the post test as worst case.

UL Japan, Inc.

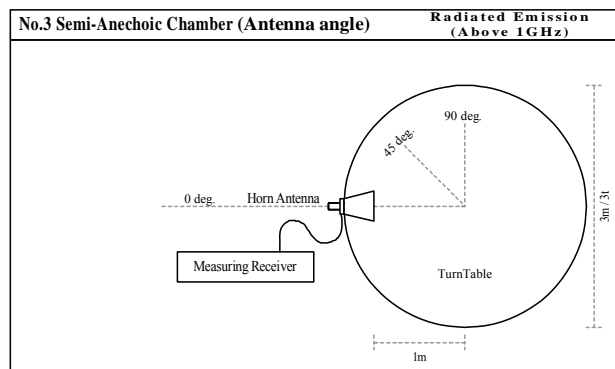
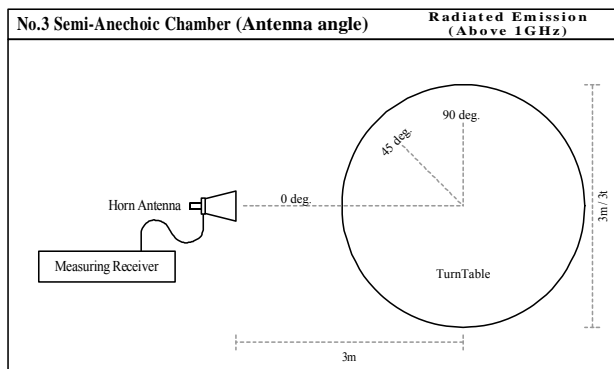
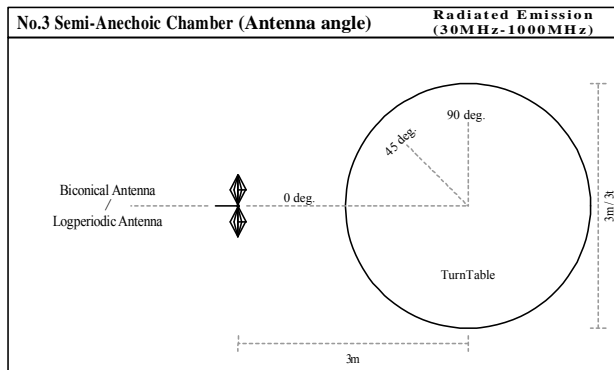
Shonan EMC Lab.

1-22-3 Megumigaoka, Hiratsuka-shi, Kanagawa-ken, 259-1220 JAPAN

Telephone : +81 463 50 6400

Facsimile : +81 463 50 6401

Figure 1. Antenna angle



11.5 Band edge

Band edge level is below the limits of FCC 15.209. Refer to the data of Radiated emission.

11.6 Results

Summary of the test results : Pass *No noise was detected above the 5th order harmonics.
Refer to APPENDIX

Contents of APPENDIXES

APPENDIX 1: Data of EMI test

20dB bandwidth and Carrier frequency separation
Number of Hopping Frequency
Dwell time
Maximum peak output power
Radiated emission
Spurious emission (Antenna port conducted)
Occupied Bandwidth

APPENDIX 2: Test instruments

Test instruments

APPENDIX 3: Photographs of test setup

Radiated emission

UL Japan, Inc.

Shonan EMC Lab.

1-22-3 Megumigaoka, Hiratsuka-shi, Kanagawa-ken, 259-1220 JAPAN

Telephone : +81 463 50 6400

Facsimile : +81 463 50 6401