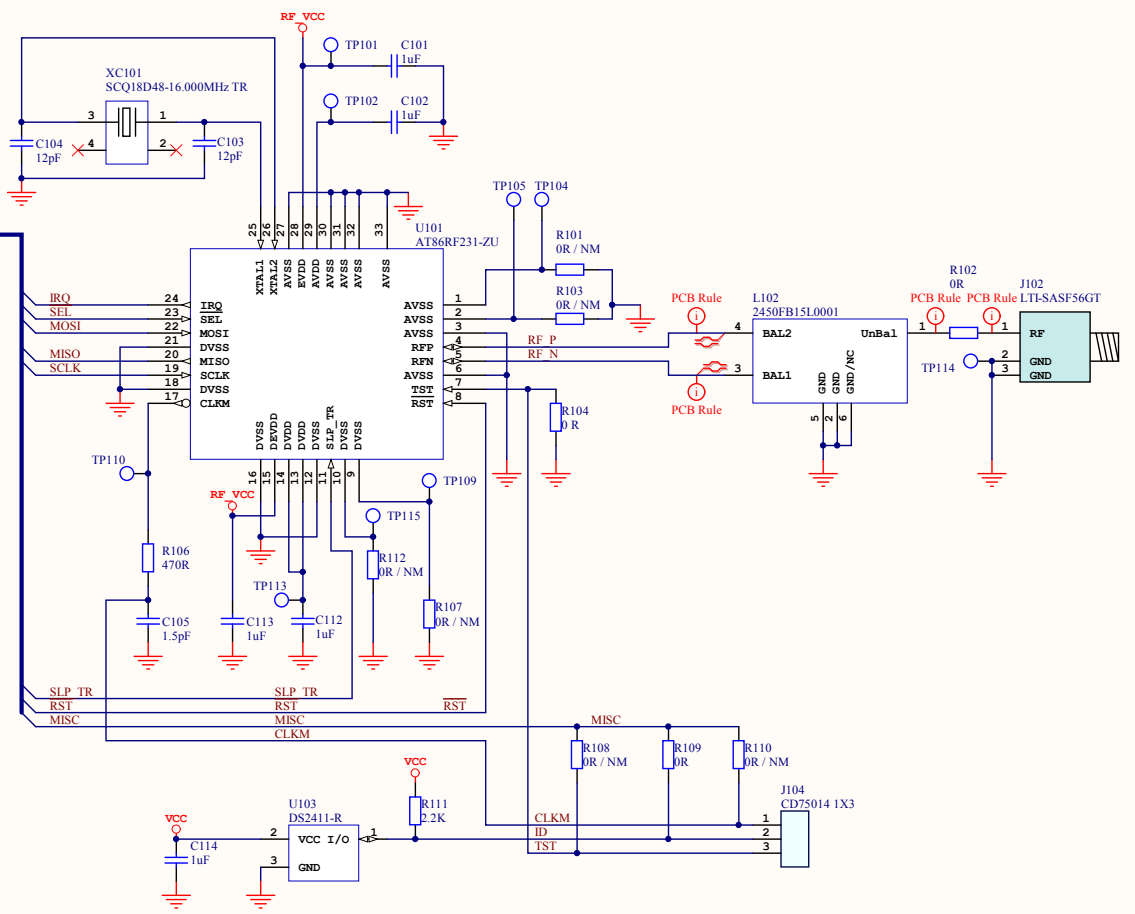
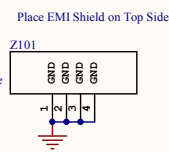


Place Label on the Bottom Side
Z102
PCBA Label



Private & Confidential

Embedded Wireless Technology Bhd				
702, Uptown 2, SS21/37				
Damansara Uptown *				
PJ, Sel, Malaysia				
Date:	1/8/2010	1:00:05 PM	PAGE:	1 of 1
Document number:	A12-0171		Revision	Rev 3
TITLE: RF Board				
A08-0671 Rev3.SchDoc				

