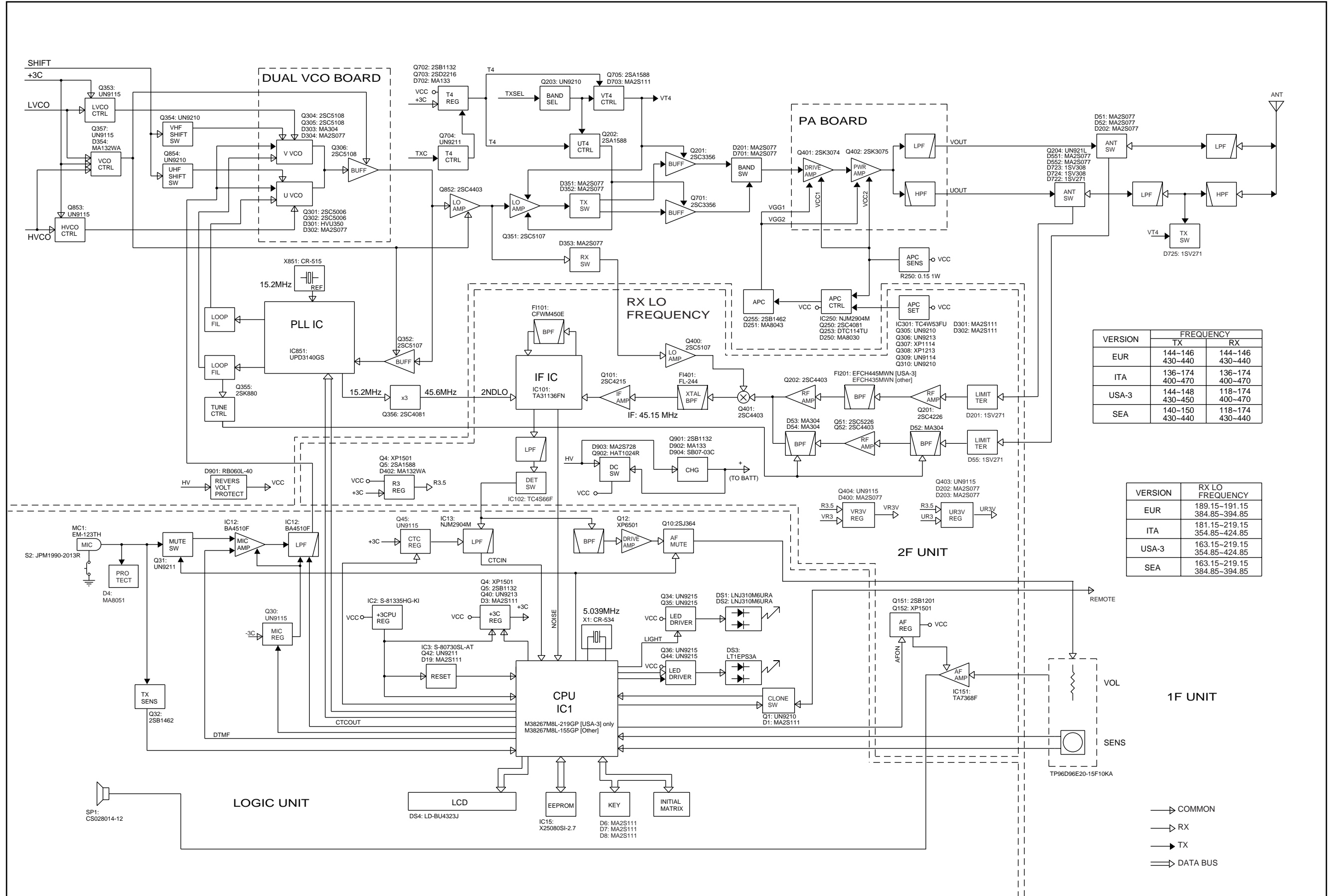
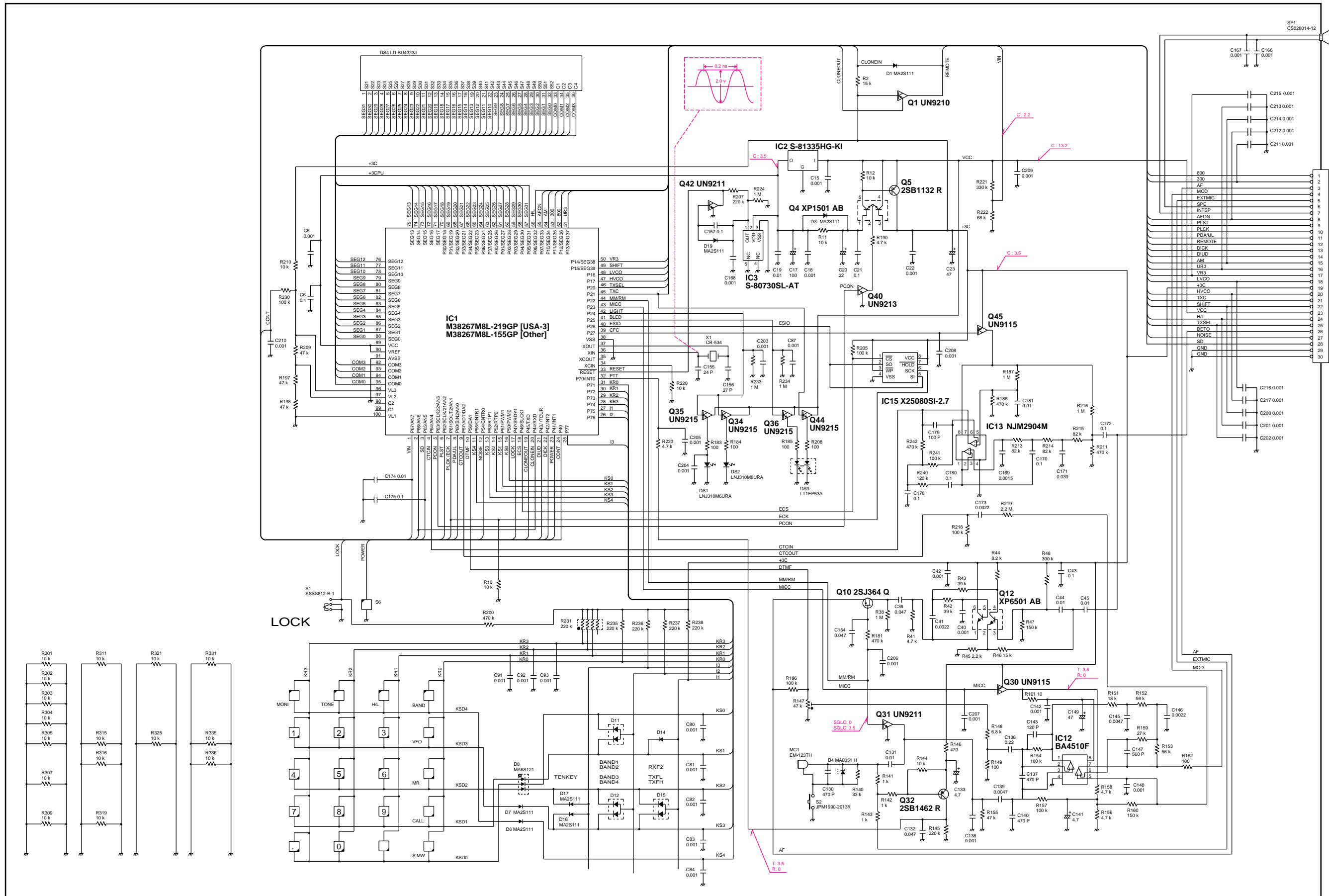


SECTION 10 BLOCK DIAGRAM



SECTION 11 VOLTAGE DIAGRAM

• LOGIC UNIT



• 1F UNIT

