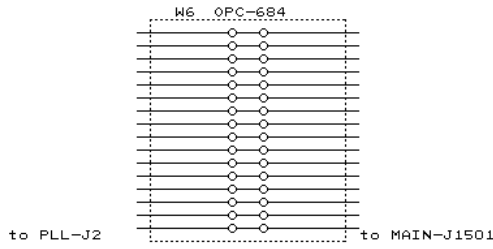
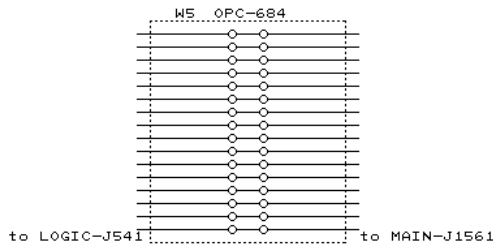
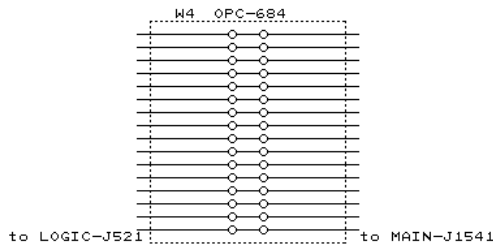
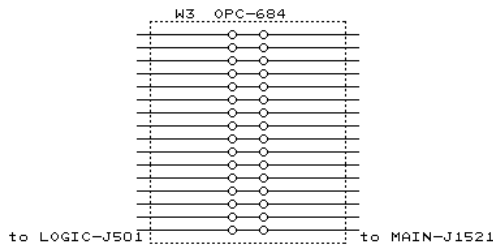
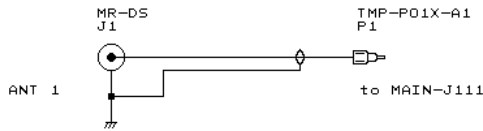
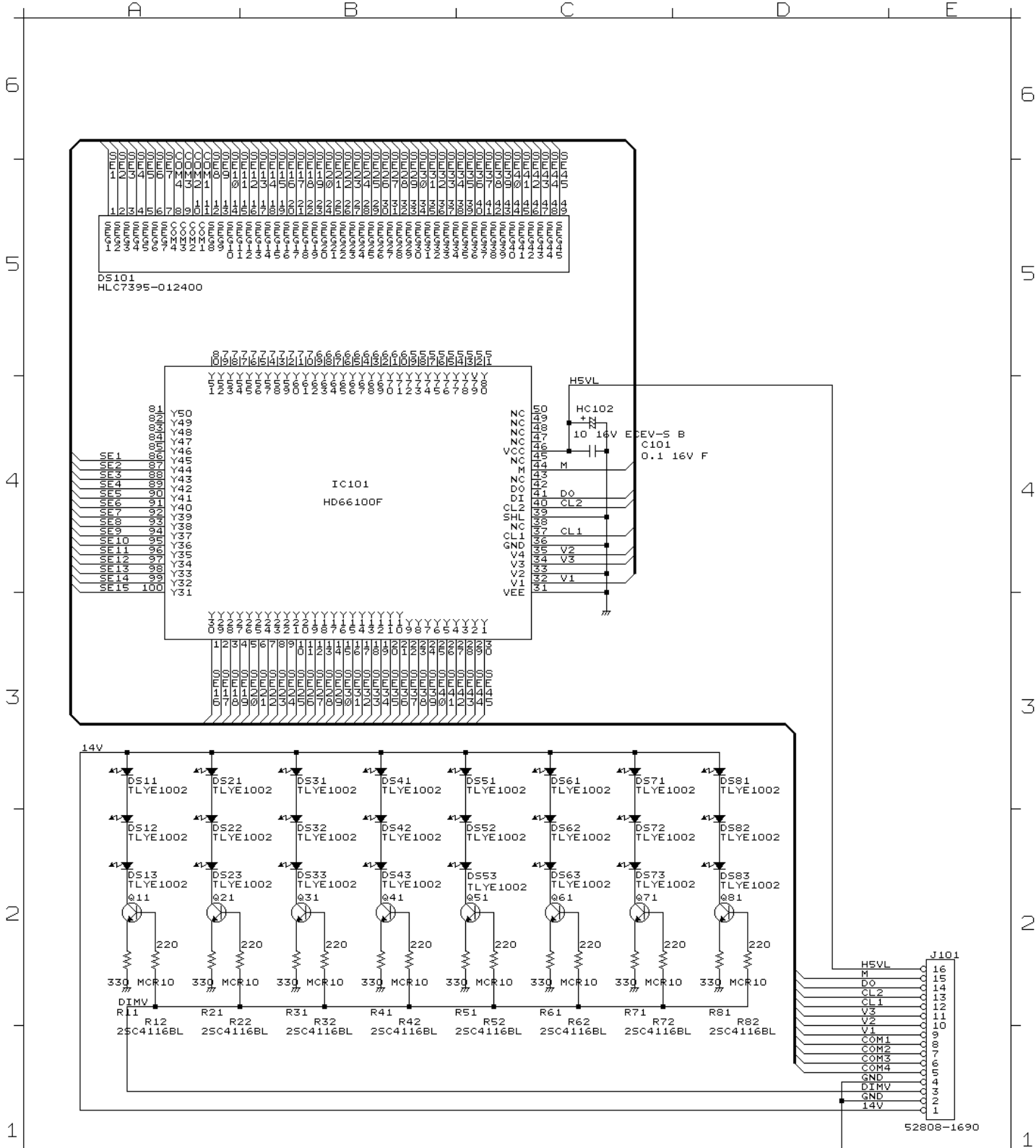


S Z O H S H C M R	1	.	.	7	.	.	APPD.	CHKD.		DWN. BY:	DATE	1999.02.24	MODEL	IC-R75	
	2	.	.	8	.	.									
	3	.	.	9	.	.						General			
	4	.	.	10	.	.						Interconnections			
	5	.	.	11	.	.							DWN. NO.	-5C1	
	6	.	.	12	.	.									
										ICOM		Icom Inc.			



S Z O C H I S I S I O N	1	.	.		DATE 1999. 02 . 24	MODEL IC-R75	
	2	.	.		CHASSIS UNIT		
	3	.	.		SCHMATIC DIAGRAM	DWN. NO. A3-6C1	
	4	.	.		APPD.	CHKD.	DWN. BY:
	5	.	.				
	6	.	.				
	7	.	.				
	8	.	.		ICOM		Icom Inc.

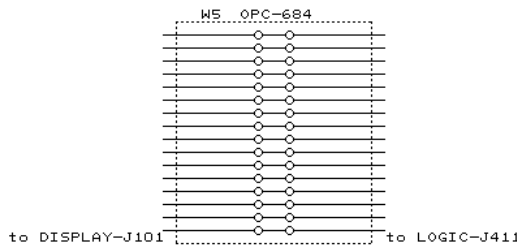
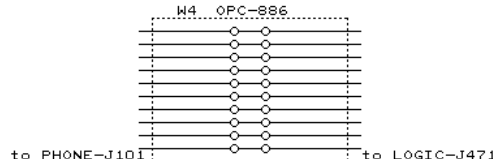
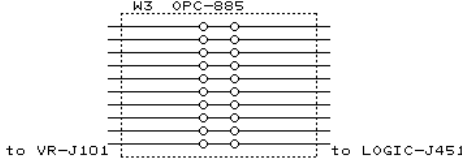
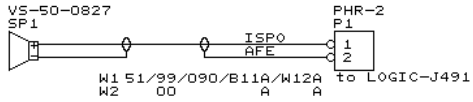
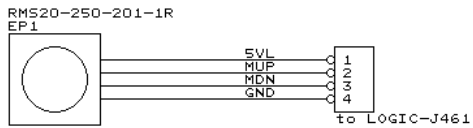


S20HSHVETP	1			DATE 1999. 02. 24	MODEL IC-R75
	2	.	.	DISPLAY BOARD	
	3	.	.	SCHMATIC DIAGRAM	DWN. NO. A4-6C5
	4	.	.	APPD. CHKD.	DWN. BY:
	5	.	.		
	6	.	.		
	7	.	.		
	8	.	.	ICOM	Icom Inc.

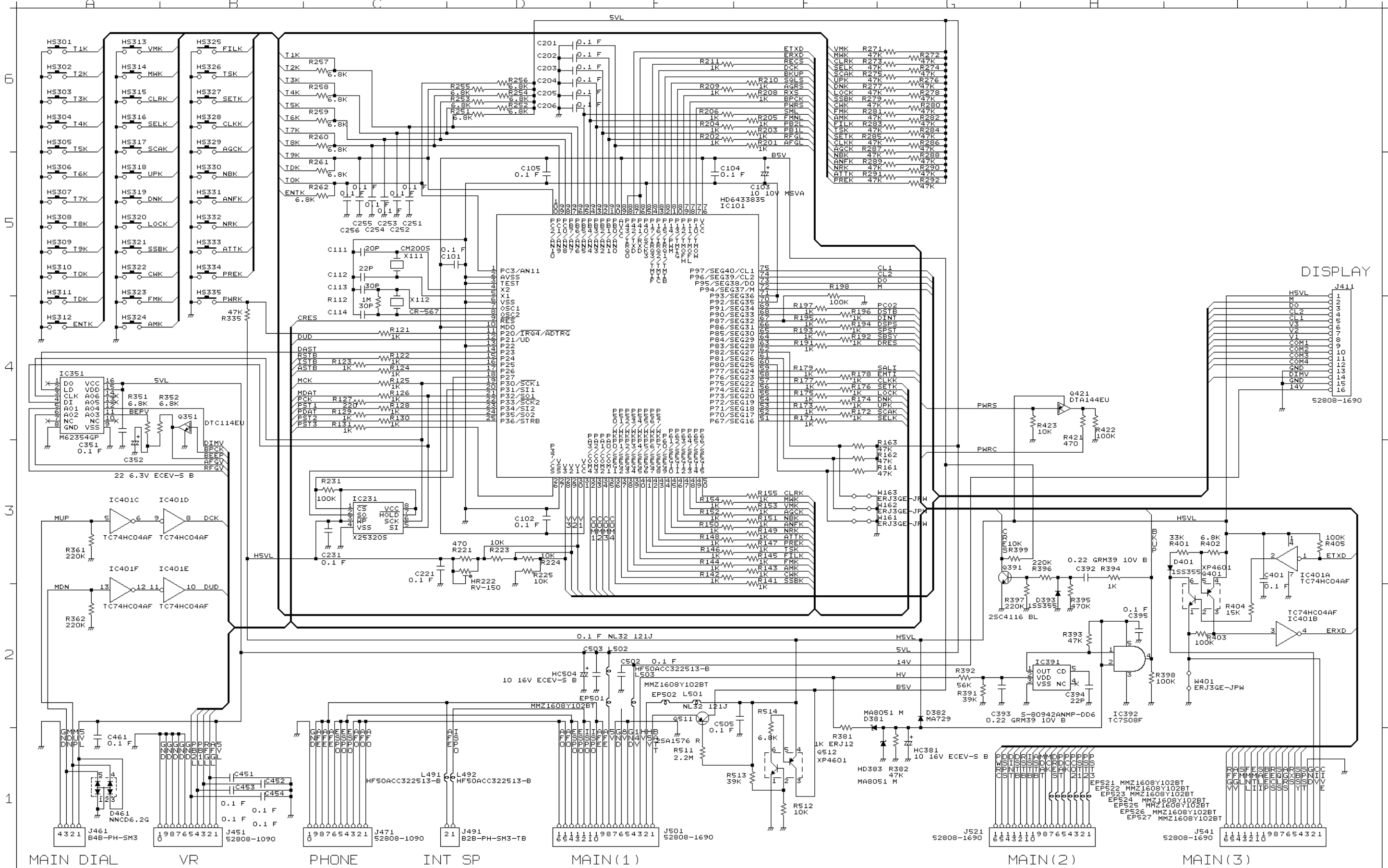
A B C D E

6
5
4
3
2
1

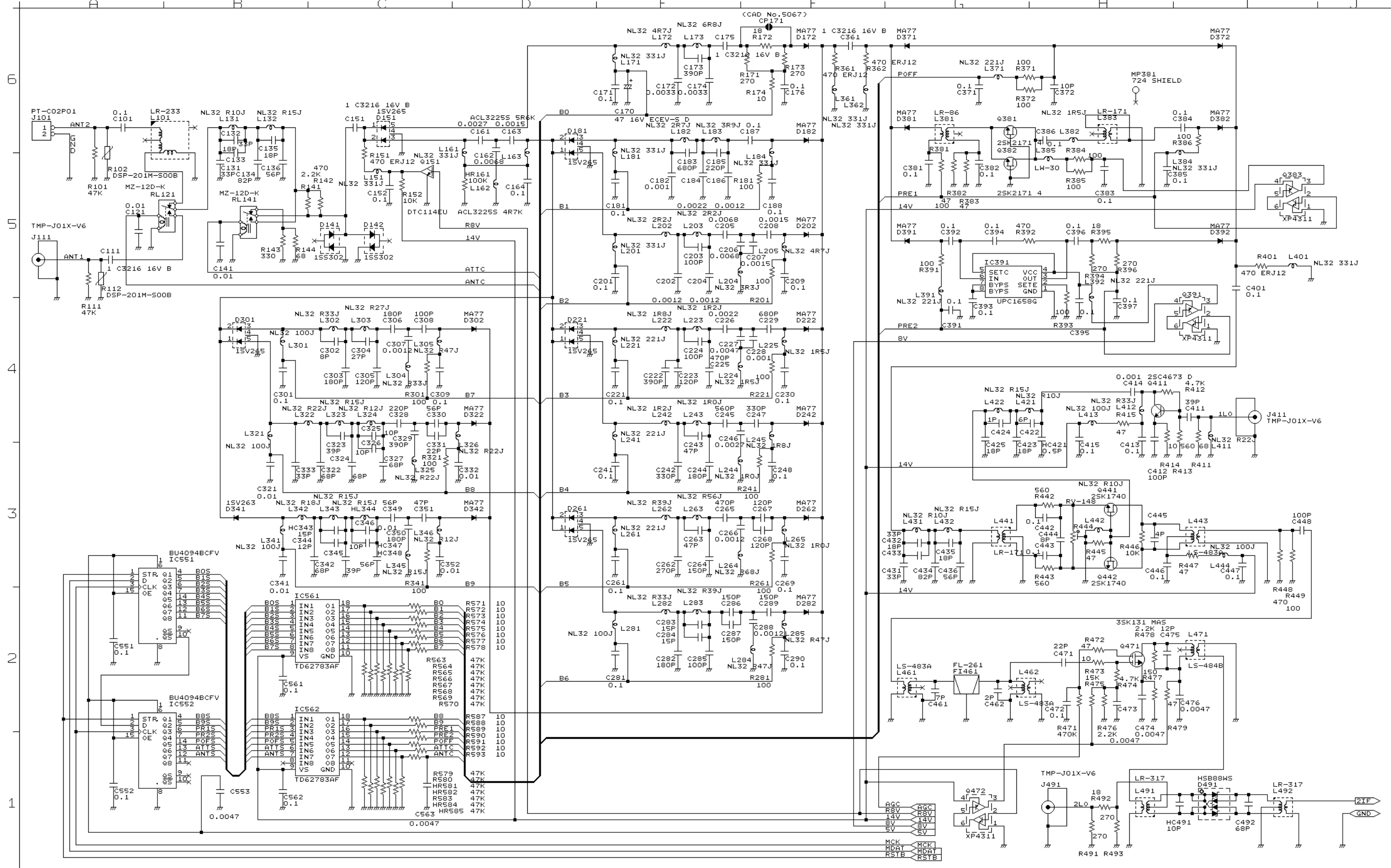
6
5
4
3
2
1



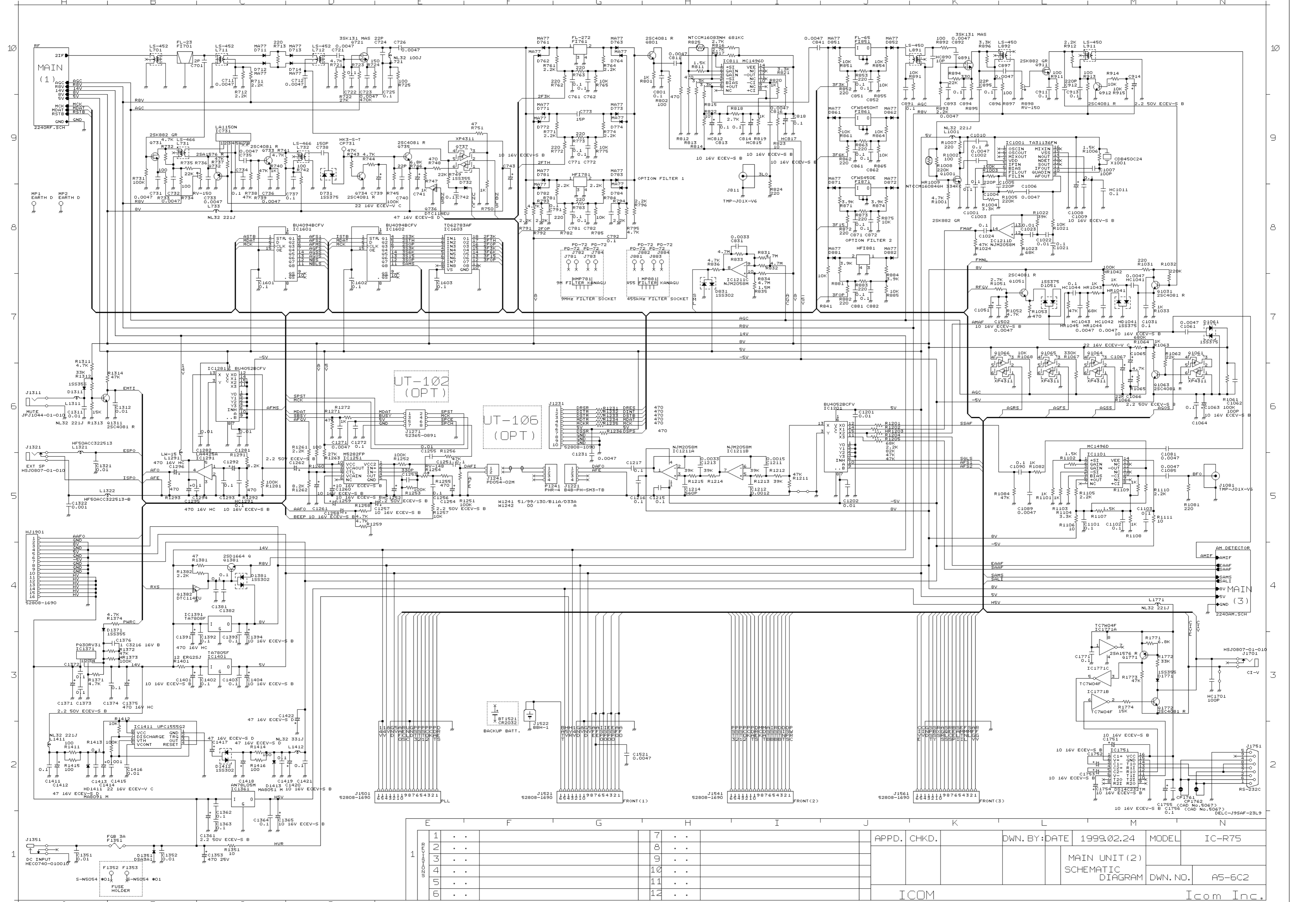
8 7 6 5 4 3 2 1 1 2 3 4 5 6 7 8 1 2 3 4 5 6 7 8	1	.	.	DATE 1999. 02 . 24	MODEL IC-R75	
	2	.	.	FRONT UNIT		
	3	.	.	SCHEMATIC DIAGRAM		
	4	.	.	DWN. NO. A4-6C1		
	5	.	.	APPD.	CHKD.	DWN. BY:
	6	.	.			
	7	.	.			
	8	.	.	ICOM		Icom Inc.



REF	1	.	.	7	.	APPD.	CHKD.	DWN. BY:	DATE	1999.02.24	MODEL	IC-R75
	2	.	.	8	.							
	3	.	.	9	.							
	4	.	.	10	.					LOGIC BOARD		
	5	.	.	11	.					SCHEMATIC DIAGRAM	DWN. NO.	A4-6C2
	6	.	.	12	.							
ICOM												Icom Inc.



1	.	.	7	.	APPD.	CHKD.	DWN. BY:	DATE	1999.02.24	MODEL	IC-R75
2	.	.	8	.	MAIN UNIT (1) SCHEMATIC DIAGRAM DWN. NO. A5-6C1 ICOM Icom Inc.						
3	.	.	9	.							
4	.	.	10	.							
5	.	.	11	.							
6	.	.	12	.							



1	.	.	7	.	APPD. CHKD.	DWN. BY: DATE	1999.02.24	MODEL	IC-R75
2	.	.	8	.					
3	.	.	9	.					
4	.	.	10	.					
5	.	.	11	.					
6	.	.	12	.					

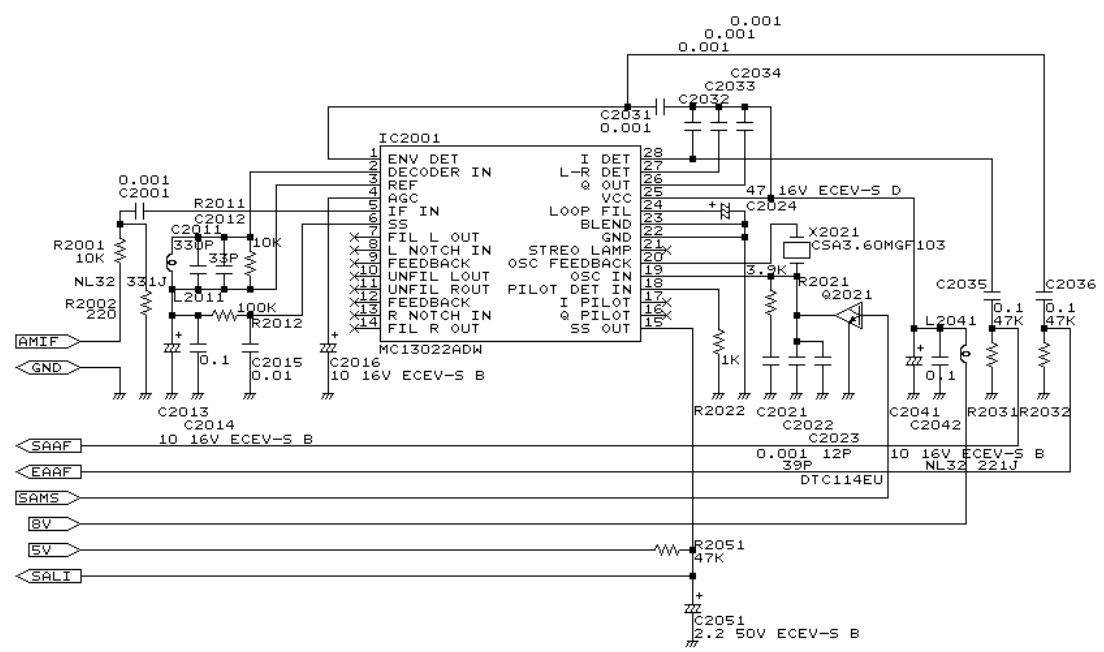
MAIN UNIT (2)
SCHEMATIC
DIAGRAM

DWN. NO. A5-6C2

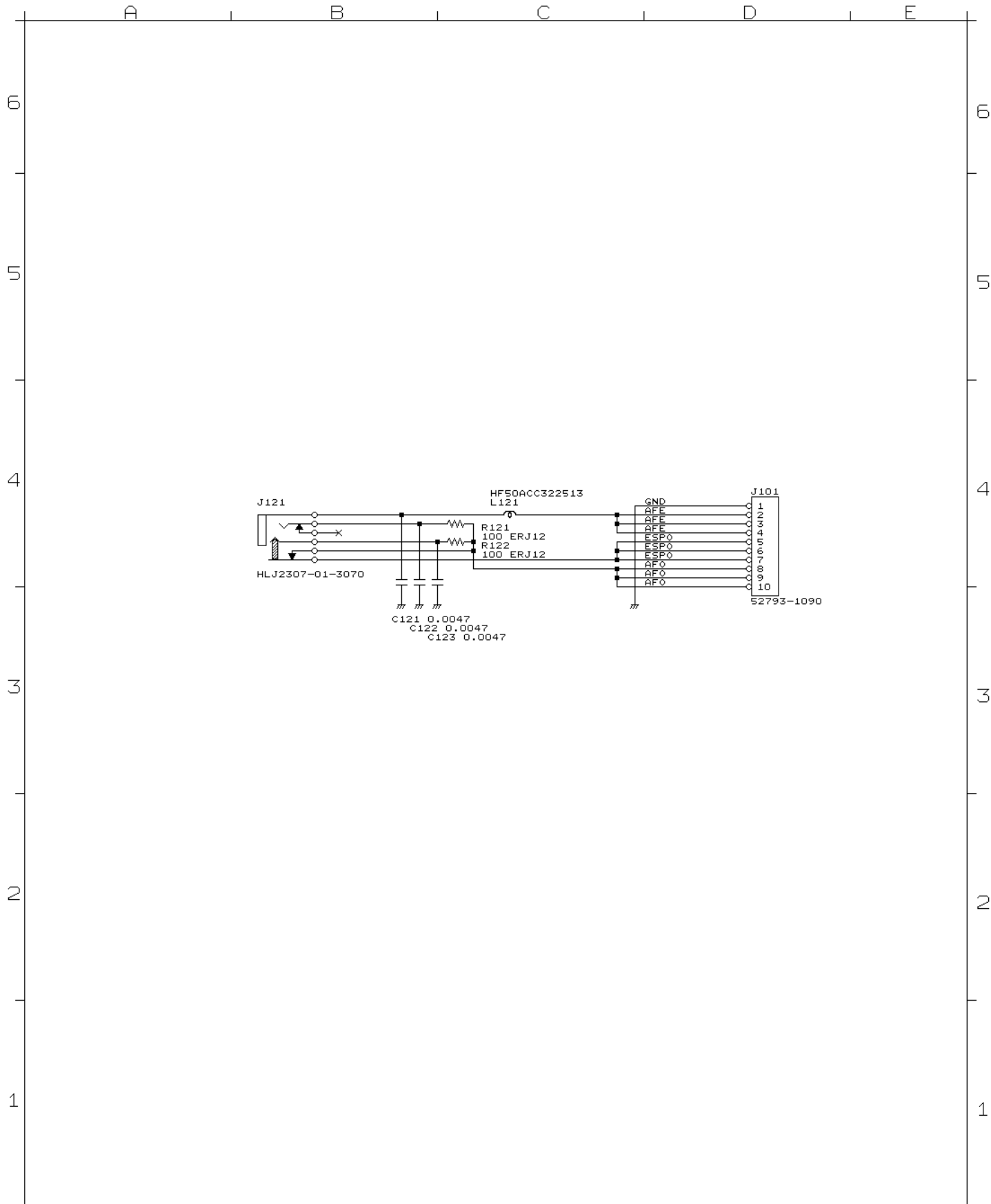
A B C D E

6
5
4
3
2
1

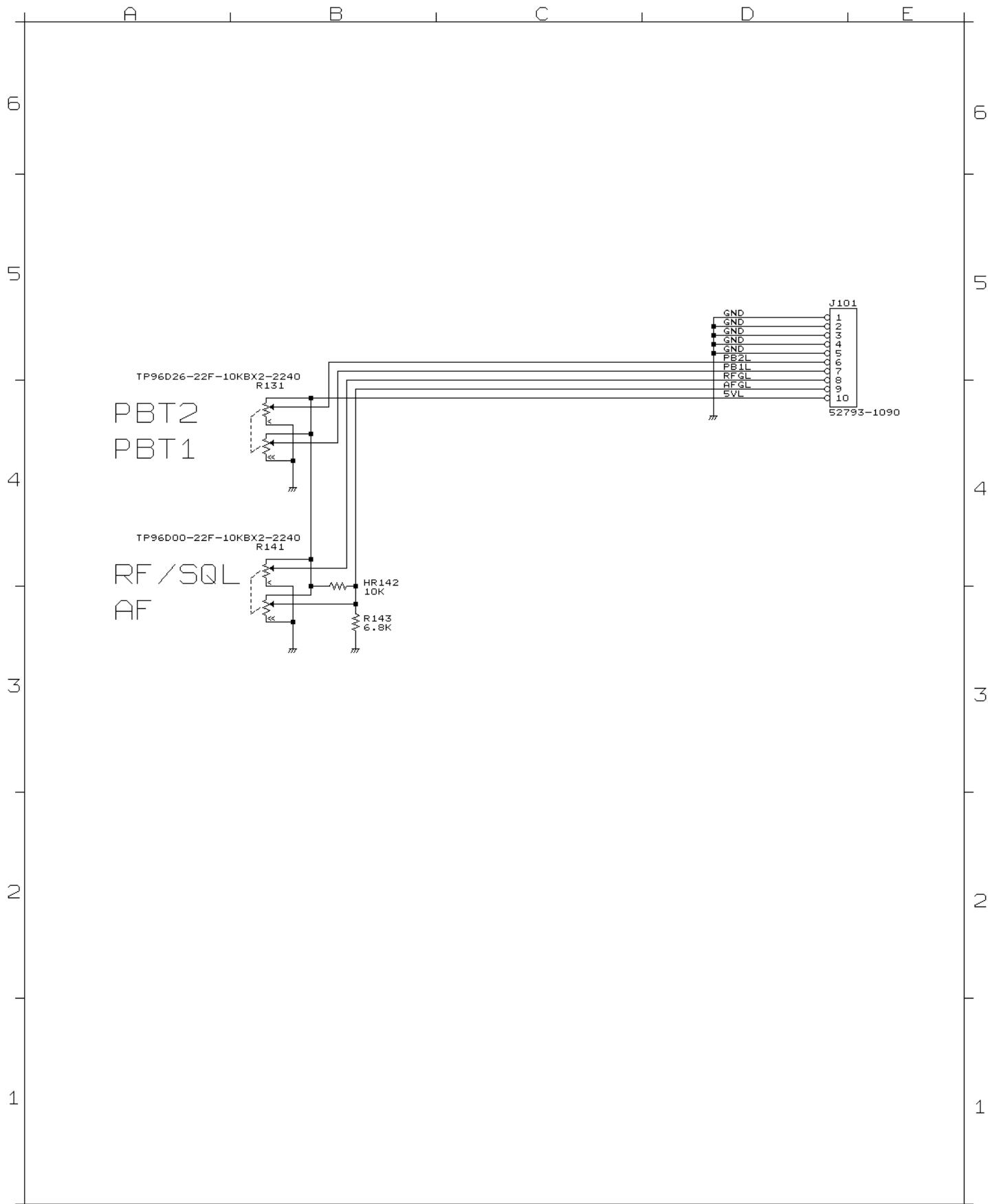
6
5
4
3
2
1



S C H E M A T I C D I A G R A M	1	.	.	DATE 1999. 02 . 24	MODEL IC-R75	
	2	.	.	MAIN UNIT (3)		
	3	.	.	SCHEMATIC DIAGRAM		
	4	.	.	DWN. NO. A5-6C3		
	5	.	.	APPD.	CHKD.	DWN. BY:
	6	.	.			
	7	.	.			
	8	.	.	ICOM		Icom Inc.



S Z O C H I S I S I O N	1	.	.	DATE 1999. 02 . 24	MODEL IC-R75	
	2	.	.	PHONE BOARD		
	3	.	.	SCHMATIC DIAGRAM	DWN. NO. A4-6C3	
	4	.	.	APPD.	CHKD.	DWN. BY:
	5	.	.			
	6	.	.			
	7	.	.			
	8	.	.	ICOM	Icom Inc.	



S Z O C H I S I S I O N	1	.	.	DATE 1999. 02 . 24	MODEL IC-R75	
	2	.	.	VR BOARD SCHEMATIC DIAGRAM		
	3	.	.			DWN. NO. A4-6C4
	4	.	.	APPD.	CHKD.	DWN. BY:
	5	.	.			
	6	.	.			
	7	.	.			
	8	.	.	ICOM		Icom Inc.