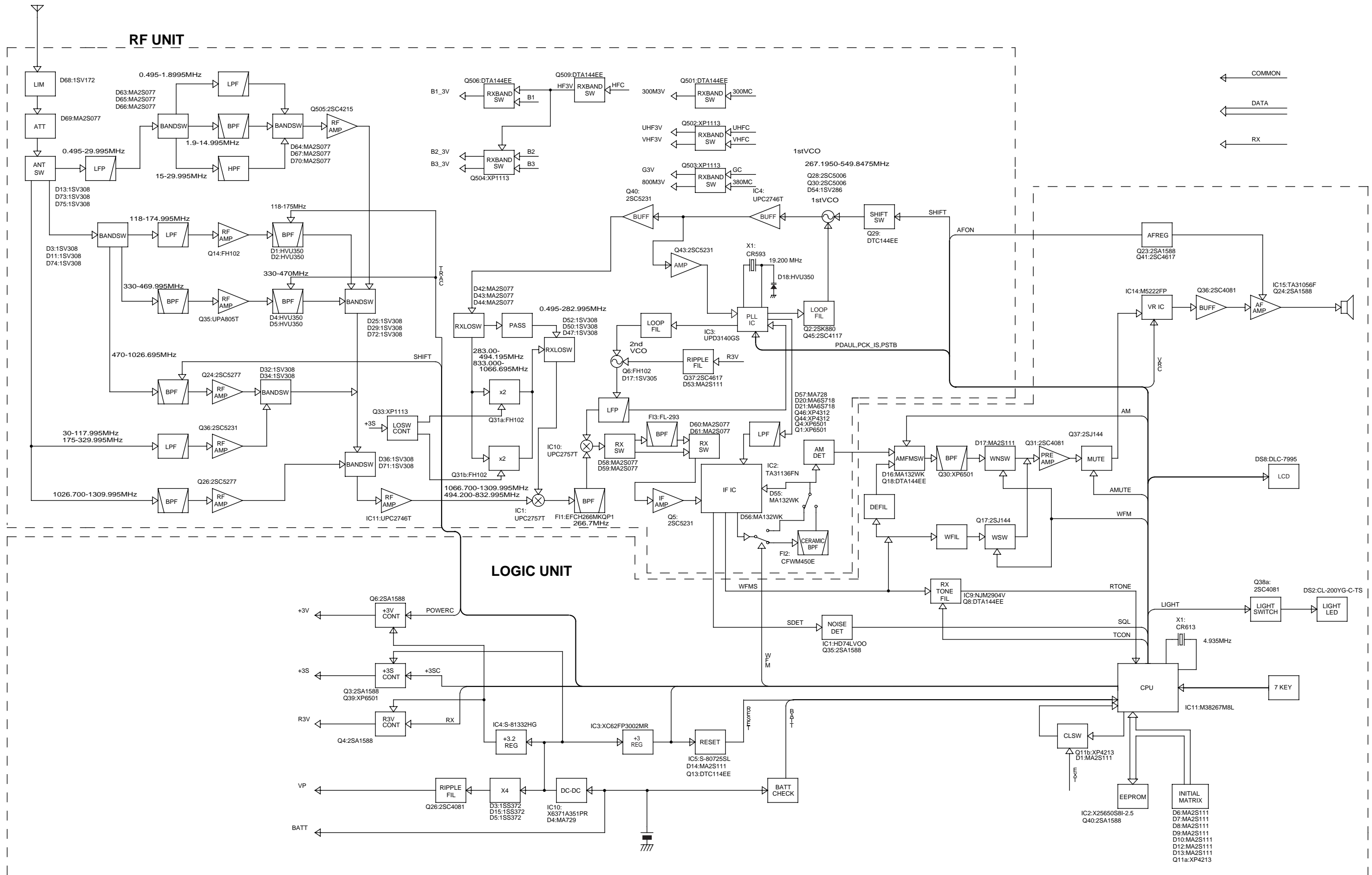
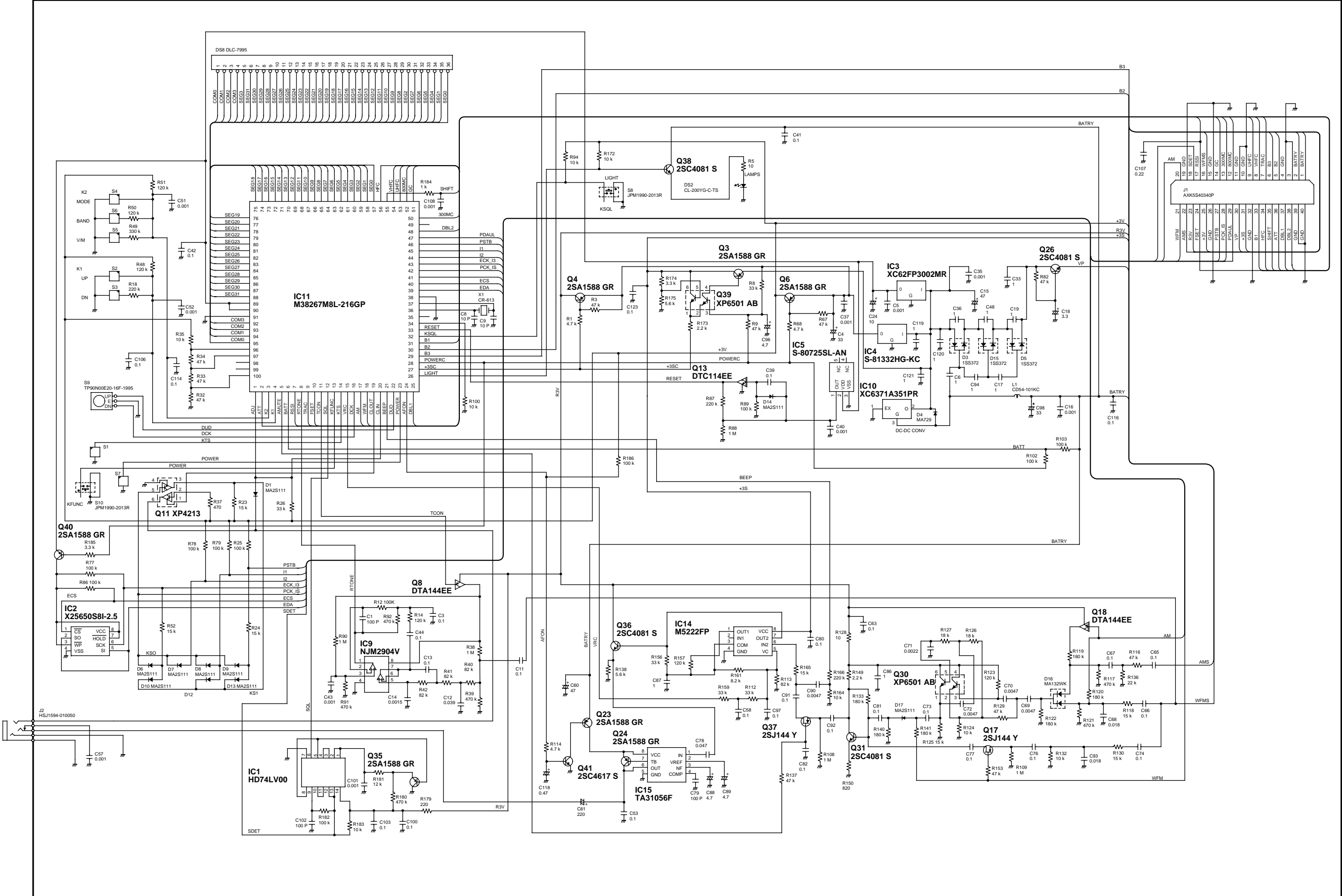


# IC-R2 BLOCK DIAGRAM



# IC-R2 SCHEMATIC DIAGRAM (1)

## • LOGIC UNIT



# IC-R2 SCHEMATIC DIAGRAM (2)

## • RF UNIT

