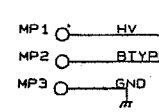
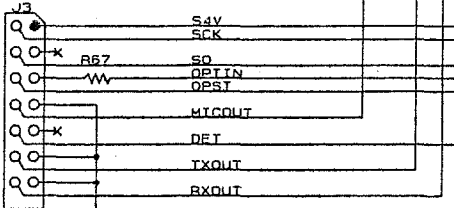


SPEAKER

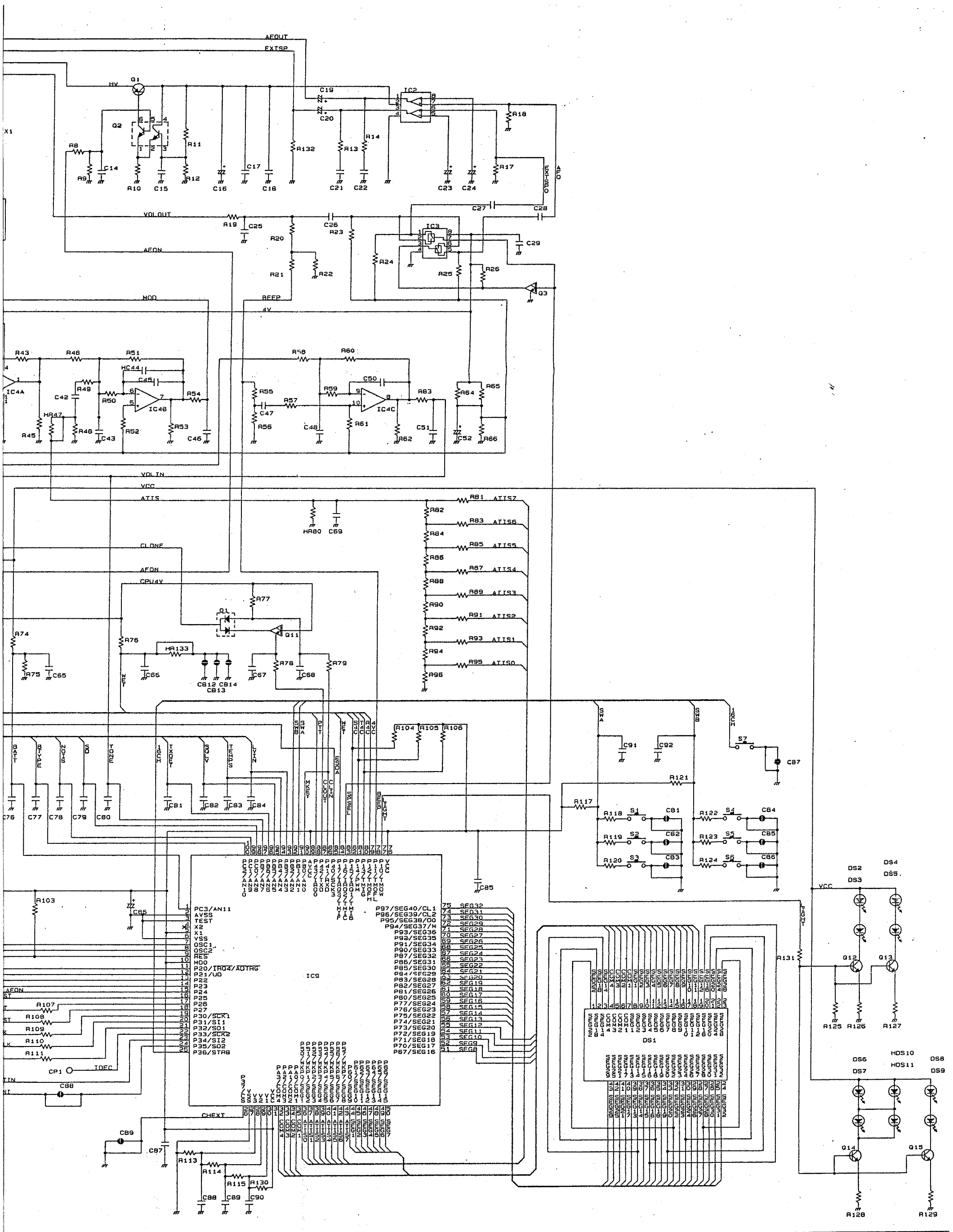
MIC

OPTION

- S4V
- SCK
- NC
- SO
- OPTIN
- OPST
- GND
- MICOUT
- NC
- DET
- GND
- TXOUT
- GND
- RXOUT



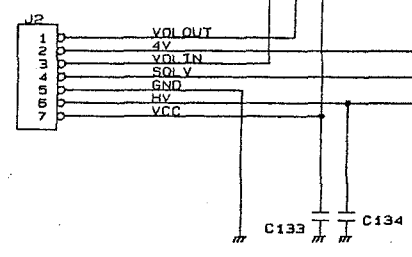
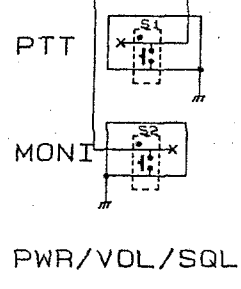
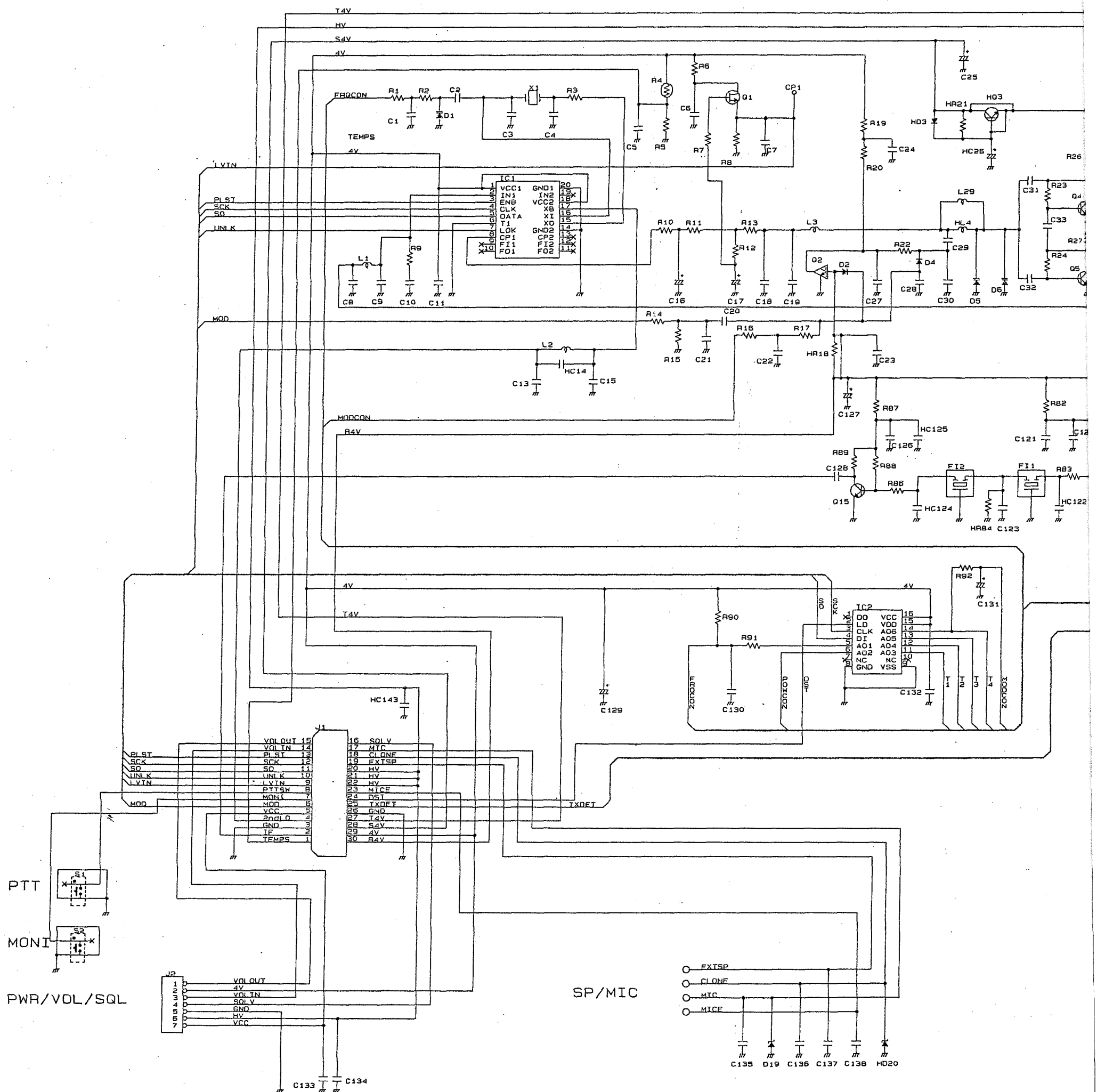
1	1	.	.
	2	.	.
	3	.	.
	4	.	.
	5	.	.
	6	.	.



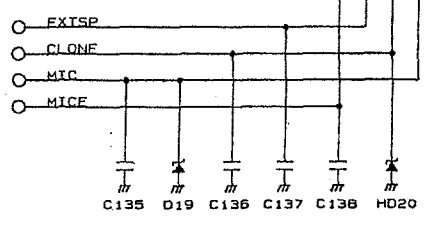
7	APPD.	CHKD.	OWN. BY:	DATE	1999.-9.-9	MODEL	FX-2320
8							
9							
10							
11							
12							
ICOM						Icom Inc	

10  
9  
8  
7  
6  
5  
4  
3  
2  
1

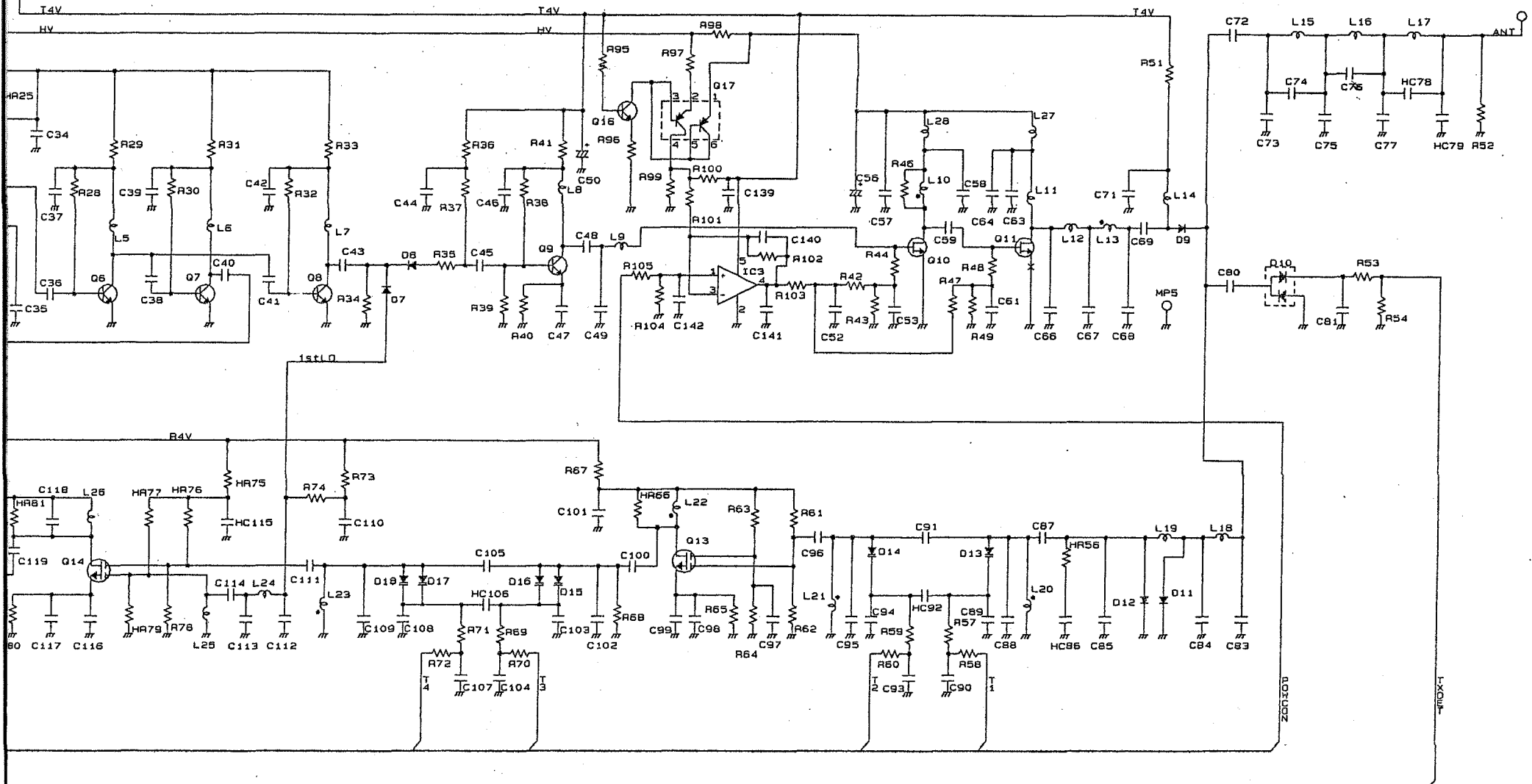
A B C D



SP/MIC



1	1	.	.
	2	.	.
	3	.	.
	4	.	.
	5	.	.
	6	.	.



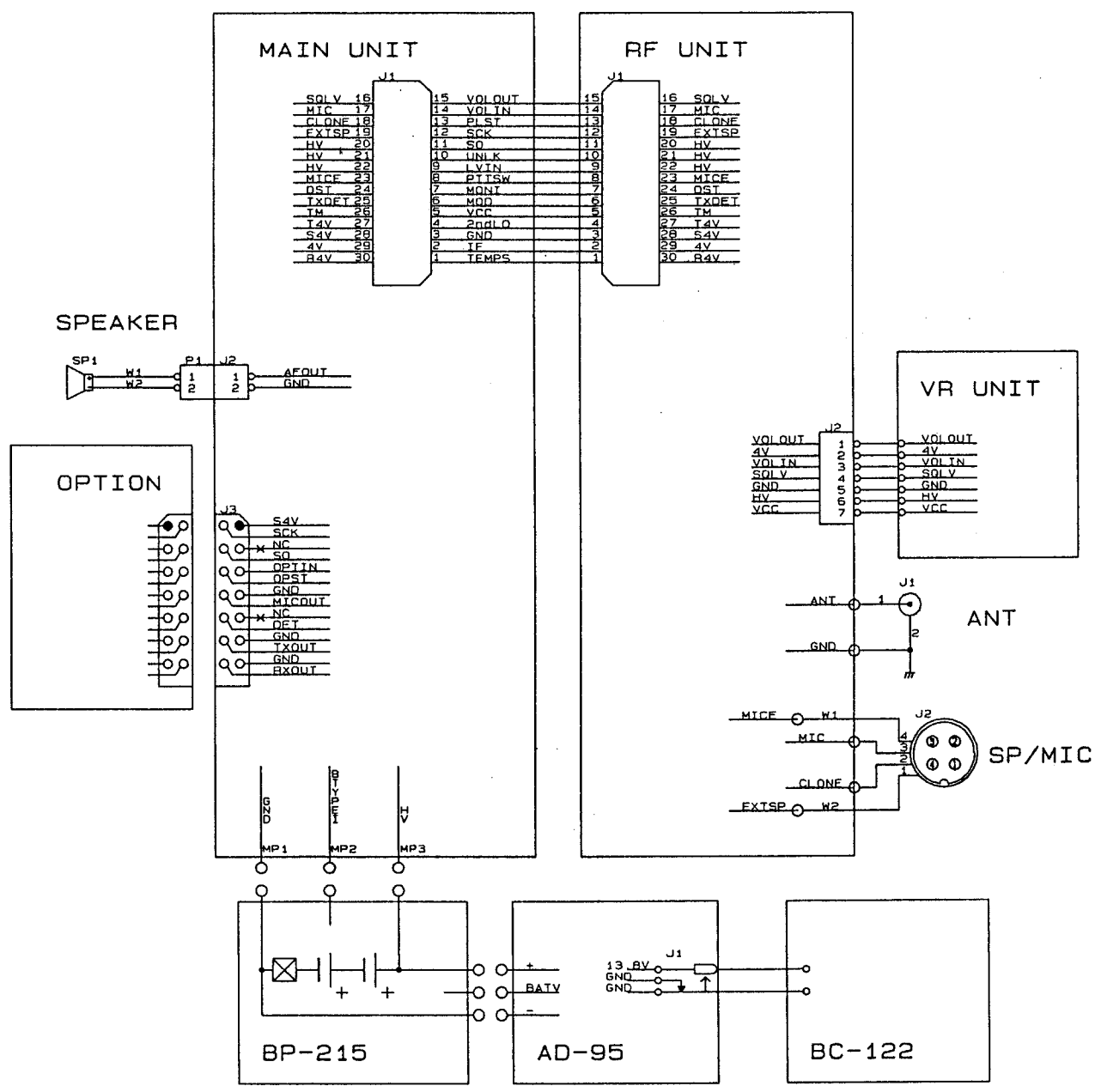
7	..		APPD.	CHKD.	DWN. BY:	DATE	1999.-9.-9	MODEL	FX-2320
8	..								
9	..								
10	..								
11	..							DWN. NO.	A5-6C1
12	..								

ICOM

Icom Inc

6  
5  
4  
3  
2  
1

6  
5  
4  
3  
2  
1

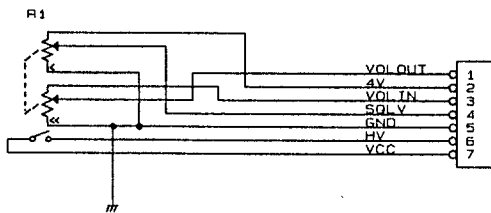


		A	B	C	D	E	
R E V I S I O N S	1				DATE 1999. -9. -9	MODEL FX-2320	
	2				GENERAL SCHEMATIC DIAGRAM		
	3				DWN. NO. 5C1		
	4				APPD.	CHKD.	DWN. BY:
	5						
	6						
	7						
	8						

7176  
1999.10  
1999

ICOM  
1999.10  
1999

ICOM  
1999.10  
1999



		A	B	C	D	E
REVISIONS	1			DATE 1999. -9 . -9	MODEL FX-2320	
	2			VR SCHEMATIC DIAGRAM	DWN. NO. A6-6C1	
	3				APPD.	CHKD.
	4					
	5					
	6					
	7					
	8					
				ICOM		Icom Inc.