

ICOM INSTRUCTIONS

VHF P25 TRANSCEIVERS

IC-F7010T/IC-F7010S

UHF P25 TRANSCEIVERS

IC-F7020T/IC-F7020S

IC-F7040T/IC-F7040S

Thank you for choosing this Icom product.
READ ALL INSTRUCTIONS carefully and completely before using this product.

IMPORTANT

This instruction sheet includes some functions that are usable only when they are preset by your dealer. The transceiver may have other functions and operations that are not described in this instruction sheet. Ask your dealer for preset function details.

EXPLICIT DEFINITIONS

WORD	DEFINITION
⚠ DANGER!	Personal death, serious injury or an explosion may occur.
⚠ WARNING!	Personal injury, fire hazard or electric shock may occur.
CAUTION	Equipment damage may occur.
NOTE	If disregarded, inconvenience only. No risk of personal injury, fire or electric shock.

Icom is not responsible for the destruction, damage to, or performance of any Icom or non-Icom equipment, if the malfunction is because of:

- Force majeure, including, but not limited to, fires, earthquakes, storms, floods, lightning, other natural disasters, disturbances, riots, war, or radioactive contamination.
- The use of Icom transceivers with any equipment that is not manufactured or approved by Icom.

Icom, Icom Inc. and the Icom logo are registered trademarks of Icom Incorporated (Japan) in Japan, the United States, the United Kingdom, Germany, France, Spain, Russia, Australia, New Zealand, and/or other countries.

The Bluetooth word mark and logos are registered trademarks owned by the Bluetooth SIG, Inc. and any use of such marks by Icom Inc. is under license. Other trademarks and trade names are those of their respective owners.

AMBE+2 is a trademark and property of Digital Voice Systems Inc.

All other products or brands are registered trademarks or trademarks of their respective holders.

Icom Inc.

1-1-32 Kamiminami, Hirano-ku, A7377H-1EX-5a
 Osaka 547-0003, Japan Printed in Japan
 Oct. 2021 © 2017–2021 Icom Inc.

SAFETY TRAINING INFORMATION

⚠ WARNING Your Icom radio generates RF electromagnetic energy while transmitting. This radio is designed for and classified as for "Occupational Use Only." This means it must be used only during the course of employment by individuals aware of the hazards, and the ways to minimize such hazards. This radio is NOT intended for use by the "General Population" in an uncontrolled environment. This radio has been tested and complies with the FCC and IC RF exposure limits for "Occupational Use Only". In addition, your Icom radio complies with the following Standards and Guidelines with regard to RF energy and electromagnetic energy levels and evaluation of such levels for exposure to humans:

- FCC KDB Publication 447498 D03, Evaluating Compliance with FCC Guidelines for Human Exposure to Radio Frequency Electromagnetic Fields.
- American National Standards Institute (C95.1-2019), IEEE Standard for Safety Levels with Respect to Human Exposure to Electric, Magnetic, and Electromagnetic Fields, 0 Hz to 300 GHz.
- American National Standards Institute (C95.3-2021), IEEE Recommended Practice for Measurements and Computations of Electric, Magnetic, and Electromagnetic Fields with Respect to Human Exposure to Such Fields, 0 Hz to 300 GHz.
- The antennas, batteries, belt clips, speaker-microphone, and other accessories that are listed in "OPTIONS" on the INSTRUCTIONS sheet, are authorized for use with this product. Use of accessories other than those specified may result in RF exposure levels exceeding the FCC and IC requirements for wireless RF exposure.
- Health Canada Safety Code 6 - Limits of Human Exposure to Electromagnetic Energy in the Frequency Range from 3 kHz to 300 GHz.

⚠ CAUTION To ensure that your exposure to RF electromagnetic energy is within the FCC and IC allowable limits for occupational use, always adhere to the following guidelines:

DO NOT operate the radio without a proper antenna attached, as this may damage the radio and may also cause you to exceed FCC and IC RF exposure limits. A proper antenna is the antenna supplied with this radio by the manufacturer or an antenna specifically authorized by the manufacturer for use with this radio.

DO NOT transmit for more than 50% of the total radio use time ("50% duty cycle"). Transmitting more than 50% of the time can cause FCC and IC RF exposure compliance requirements to be exceeded. The radio is transmitting when the LED indicator lights red. You can cause the radio to transmit by pushing the "PTT" switch.

ALWAYS keep the antenna at least 2.5 cm (1 inch) away from the body when transmitting, and only use the Icom belt-clips listed in "OPTIONS" of the INSTRUCTIONS sheet when attaching the radio to your belt, or other place, to ensure FCC and IC RF exposure compliance requirements are not exceeded.

The information listed above provides the user with the information needed to make him or her aware of RF exposure, and what to do to assure that this radio operates within the FCC and IC RF exposure limits of this radio.

FCC INFORMATION

This equipment has been tested and found to comply with the limits for a Class A digital device, pursuant to part 15 of the FCC Rules. These limits are designed to provide reasonable protection against harmful interference when the equipment is operated in a commercial environment. This equipment generates, uses, and can radiate radio frequency energy and, if not installed and used in accordance with the instruction manual, may cause harmful interference to radio communications. Operation of this equipment in a residential area is likely to cause harmful interference in which case the user will be required to correct the interference at his own expense.

CAUTION: Changes or modifications to this transceiver, not expressly approved by Icom Inc., could void your authority to operate this transceiver under FCC regulations.

This device complies with Part 15 of the FCC Rules. Operation is subject to the condition that this device does not cause harmful interference.

PRECAUTIONS

⚠ DANGER! NEVER short the terminals of the battery pack. Shorting may occur if the terminals touch metal objects such as a key, so be careful when placing the battery packs (or the transceiver) in bags, and so on. Carry them so that shorting cannot occur with metal objects. Shorting may damage not only the battery pack, but also the transceiver.

⚠ DANGER! NEVER operate the transceiver near unshielded electrical blasting caps or in an explosive atmosphere. This could cause an explosion and death.

⚠ WARNING! NEVER use or charge Icom battery packs with non-Icom transceivers or non-Icom chargers. Only Icom battery packs are tested and approved for use with Icom transceivers or charged with Icom chargers. Using third-party or counterfeit battery packs or chargers may cause smoke, fire, or cause the battery to burst.

⚠ WARNING! NEVER hold the transceiver so that the antenna is very close to, or touching exposed parts of the body, especially the face or eyes, while transmitting. The transceiver will perform best if the microphone is 5 to 10 cm (2 to 4 inches) away from the lips and the transceiver is vertical.

⚠ WARNING! NEVER operate the transceiver with a headset or other audio accessories at high volume levels. The continuous high volume operation may cause a ringing in your ears. If you experience the ringing, reduce the volume level or discontinue use.

CAUTION: DO NOT use harsh solvents such as Benzene or alcohol when cleaning. This could damage the equipment surfaces. If the surface becomes dusty or dirty, wipe it clean with a soft, dry cloth.

CAUTION: DO NOT place or leave the transceiver in excessively dusty environments. This could damage the transceiver.

BE CAREFUL! The transceiver meets IP68* requirements for dust-tight and waterproof protection. However, once the transceiver has been dropped, or the waterproof seal is cracked or damaged, dust-tight and waterproof protection cannot be guaranteed due to the fact that the transceiver may be cracked or the waterproof seal damaged, and so on. * Only when the supplied battery pack, flexible antenna and connector cover are attached.

NEVER place the transceiver in an insecure place to avoid inadvertent use by unauthorized persons.

Electromagnetic Interference/Compatibility

During transmissions, your Icom radio generates RF energy that can possibly cause interference with other devices or systems. To avoid such interference, turn off the radio in areas where signs are posted to do so. DO NOT operate the transmitter in areas that are sensitive to electromagnetic radiation such as hospitals, aircraft, and blasting sites.

Occupational/Controlled Use

The radio transmitter is used in situations in which persons are exposed as a consequence of their employment, provided those persons are fully aware of the potential for exposure and can exercise control over their exposure.

RECOMMENDATION

CLEAN THE TRANSCEIVER THOROUGHLY IN A BOWL OF FRESH WATER after exposure to saltwater, and dry it before operating. Otherwise, the transceiver's keys, switches, and controllers may become unusable, due to salt crystallization, and/or the charging terminals of the battery pack may corrode.

NOTE: If the transceiver's waterproof protection appears defective, carefully clean the transceiver with a soft, damp (fresh water) cloth, then dry it before operating. The transceiver may lose its waterproof protection if the case, jack cap, or connector cover is cracked or broken, or the transceiver has been dropped. Contact your Icom distributor or your dealer for advice.

VOICE CODING TECHNOLOGY

The AMBE+2™ voice coding Technology embodied in this product is protected by intellectual property rights including patent rights, copyrights and trade secrets of Digital Voice Systems, Inc. This voice coding Technology is licensed solely for use within this Communications Equipment. The user of this Technology is explicitly prohibited from attempting to extract, remove, decompile, reverse engineer, or disassemble the Object Code, or in any other way convert the Object Code into a human-readable form. U.S. Patent Nos. #8,595,002, #8,359,197, #8,315,860, #8,200,497, #7,970,606, #6,912,495 B2.

ABOUT GPS/GLONASS RECEIVER

An internal GPS or GLONASS receiver may not work if the transceiver transmits or receives in the frequency ranges as shown below. This problem is made in the internal circuit and does not indicate a transceiver malfunction.

	For the IC-F7010T/IC-F7010S (Unit: MHz)	
	GPS receiver	GLONASS receiver
Transmit	142.850 ~ 142.860	145.275 ~ 145.945
	157.135 ~ 157.145	159.805 ~ 160.540
Receive	146.845 ~ 147.110	149.745 ~ 150.790

	For the IC-F7020T/IC-F7020S (Unit: MHz)	
	GPS receiver	GLONASS receiver
Transmit	392.840 ~ 392.865	399.515 ~ 401.343
Receive	443.545 ~ 444.065	449.335 ~ 451.425

	For the IC-F7040T/IC-F7040S (Unit: MHz)	
	GLONASS receiver	
Transmit	799.0375 ~ 802.6875	
Receive	856.1815 ~ 859.8375	

DO NOT place or leave the transceiver in direct sunlight or in areas outside of the specified temperature range: -30°C (-22°F) ~ +60°C (+140°F)

Battery caution

Misuse of Li-ion batteries may result in the following hazards: smoke, fire, or the battery may rupture. Misuse can also cause damage to the battery or degradation of battery performance.

⚠ DANGER! NEVER solder the battery terminals, or **NEVER** modify the battery pack. This may cause heat generation, and the battery may burst, emit smoke or catch fire.

⚠ DANGER! NEVER place or leave battery packs in areas with temperatures above 60°C (140°F). High temperature buildup in the battery cells, such as could occur near fires or stoves, inside a sun-heated vehicle, or in direct sunlight for long periods of time may cause the battery cells to rupture or catch fire. Excessive temperatures may also degrade the battery pack's performance or shorten the battery cell's life.

⚠ DANGER! NEVER strike or otherwise impact the battery pack. Do not use the battery pack if it has been severely impacted or dropped, or if the pack has been subjected to heavy pressure. Battery pack damage may not be visible on the outside of the case. Even if the surface of the battery does not show cracks or any other damage, the cells inside the battery may rupture or catch fire.

⚠ DANGER! NEVER expose the battery pack to rain, snow, seawater, or any other liquids. Do not charge or use a wet pack. If the pack gets wet, be sure to wipe it dry before using.

⚠ DANGER! NEVER place or leave battery packs near fire. Fire or heat may cause them to rupture or explode. Dispose of used battery packs in accordance with local regulations.

⚠ DANGER! NEVER let fluid from inside the battery get in your eyes. This can cause blindness. Rinse your eyes with clean water, without rubbing them, and immediately go to a doctor.

⚠ WARNING! NEVER put the battery pack in a microwave oven, high-pressure container, or in an induction heating cooker. This could cause a fire, overheating, or cause the battery cells to rupture.

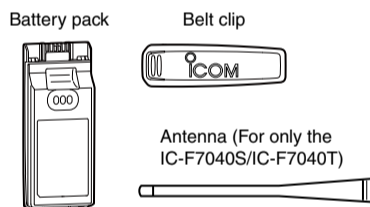
⚠ WARNING! NEVER use the battery pack if it emits an abnormal odor, heats up, or is discolored or deformed. If any of these conditions occur, contact your Icom dealer or distributor.

⚠ WARNING! NEVER let fluid from inside the battery cells come in contact with your body. If it does, immediately wash with clean water.

⚠ WARNING! NEVER use deteriorated battery packs. They could cause a fire.

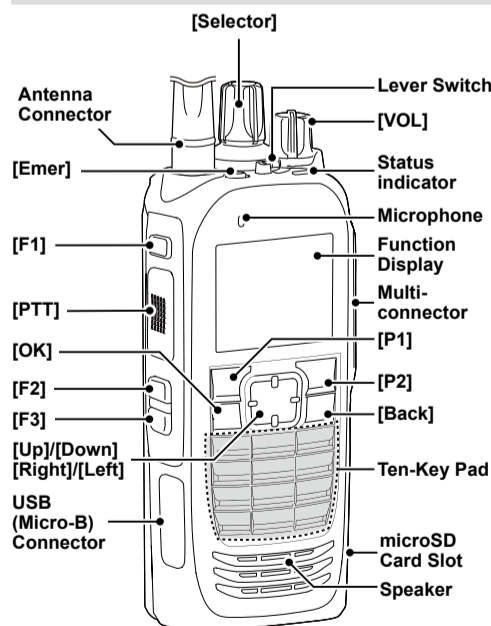
CAUTION: DO NOT use the battery pack out of the specified temperature range for the transceiver (-30°C ~ +60°C (-22°F ~ +140°F)) and the battery itself (-20°C ~ +60°C (-4°F ~ +140°F)). Using the battery out of its specified temperature range will reduce its performance and battery cell's life. Please note that the specified temperature range of the battery may exceed that of the transceiver. In such cases, the transceiver may not work properly because it is out of its operating temperature range.

SUPPLIED ACCESSORIES



NOTE: Some accessories are not supplied, or the shape is different, depending on the transceiver version.

PANEL DESCRIPTION



About the transceiver types

There are 2 types of transceivers. **IC-F7010S/IC-F7020S/IC-F7040S:** Simple key types **IC-F7010T/IC-F7020T/IC-F7040T:** Ten-key types

About the Status indicator

- Lights blue, then blinks red, yellow, and green when turning ON the transceiver.
- Lights red while transmitting.
- Lights green while receiving a signal, or when the squelch is open.
- Blinks magenta when the battery is exhausted.

About the Multi-connector

Connects to an optional speaker microphone or headset.

CAUTION: DO NOT use the transceiver without the connector cover or the optional equipment attached. The transceiver meets IP68 requirements for dust-tight and waterproof protection only when the connector cover or the optional HM-222 is attached.

About the Software key functions

NOTE: Your dealers can assign the Software key functions to the keys, keypads, and the Lever switch.

CAUTION: DO NOT leave the pack fully charged, completely discharged, or in an excessive temperature environment (above 50°C, 122°F) for an extended period of time. If the battery pack must be left unused for a long time, it must be detached from the transceiver after discharging. You may use the battery pack until the remaining capacity is about half, then keep it safely in a cool and dry place at the following temperature range: -20°C ~ +50°C (-4°F ~ +122°F) (within a month) -20°C ~ +40°C (-4°F ~ +104°F) (within three months) -20°C ~ +20°C (-4°F ~ +68°F) (within a year)

BE SURE to replace the battery pack with a new one approximately five years after manufacturing, even if it still holds a charge. The material inside the battery cells will become weak after a period of time, even with little use. The estimated number of times you can charge the pack is between 300 and 500. Even when the pack appears to be fully charged, the operating time of the transceiver may become short when:

- Approximately 5 years have passed since the pack was manufactured.
- The pack has been repeatedly charged.

Charging caution

⚠ DANGER! NEVER charge the battery pack in areas with extremely high temperatures, such as near fires or stoves, inside a sun-heated vehicle, or in direct sunlight. In such environments, the safety/protection circuit in the battery will activate, causing the battery to stop charging.

⚠ WARNING! NEVER charge the transceiver during a lightning storm. It may result in an electric shock, cause a fire or damage the transceiver. Always disconnect the power adapter before a storm.

⚠ WARNING! Occasionally observe the battery pack condition while charging. If any abnormal condition occurs, discontinue using the battery pack.

⚠ WARNING! NEVER charge or leave the battery in the battery charger beyond the specified time for charging. If the battery is not completely charged by the specified time, stop charging and remove the battery from the battery charger.

Continuing to charge the battery beyond the specified time limit may cause a fire, overheating, or the battery may rupture.

CAUTION: DO NOT insert the transceiver (battery attached to the transceiver) into the charger if it is wet or soiled. This could corrode the battery charger terminals or damage the charger. The charger is not waterproof.

CAUTION: DO NOT charge the battery outside of the specified temperature range:

BC-214: (16°C ~ 40°C (60.8°F ~ 104°F))

BC-219N: (16°C ~ 40°C (60.8°F ~ 104°F))

Otherwise, the charging time will be longer, but the battery will not reach a full charge. While charging, at a point after the temperature goes out of the specified range, the charging will automatically stop.

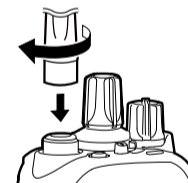
ATTACHING ACCESSORIES

Flexible antenna

Connect the antenna to the antenna connector.

CAUTION:

- DO NOT** carry the transceiver by holding only the antenna.
- DO NOT** connect an antenna other than those listed in the INSTRUCTIONS.
- Transmitting without an antenna may damage the transceiver.

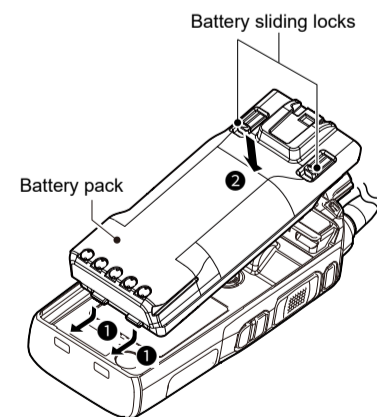


Battery pack

CAUTION: DO NOT attach or detach the battery pack when the transceiver is wet or soiled. This may result in water or dust getting into the transceiver/battery pack and may damage the transceiver.

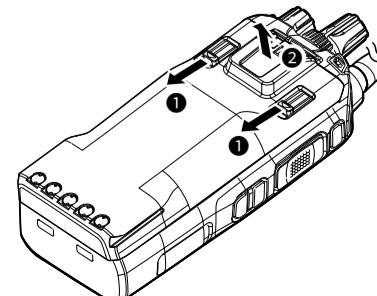
To attach:

- Slide the battery pack in the direction of the arrow. (1)
- Push the battery pack until the battery sliding locks make a 'click' sound. (2)



To detach:

- Push both battery sliding locks in the direction of the arrow. (1)
- Lift up to detach the battery pack. (2)

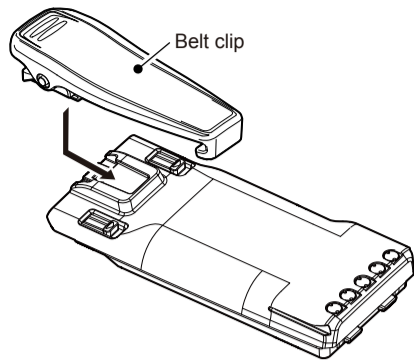


ATTACHING ACCESSORIES (Continued)

◇ Belt clip

To attach:

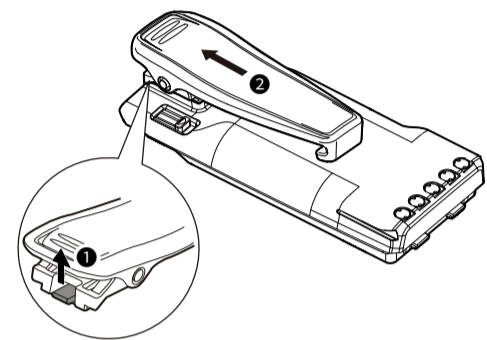
1. Remove the battery pack from the transceiver, if it is attached.
2. Slide the belt clip in the direction of the arrow until the belt clip is locked and makes a 'click' sound.



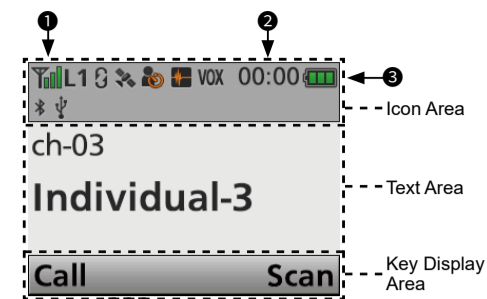
To detach:

1. Lift the tab up.
2. Slide the belt clip in the direction of the arrow.

BE CAREFUL! DO NOT break your fingernail



FUNCTION DISPLAY



NOTE: The screen capture is an example. The displayed position of each icon may differ, depending on the function being used.

◇ Icon Area

Indicators

1 SIGNAL STRENGTH INDICATOR

Displays the relative receive signal strength level.

2 CLOCK

Displays the current time.

- ① "AM" or "PM" is displayed beside the time display when 12 hour display format is selected.

3 BATTERY INDICATOR

Displayed or blinks to indicate the battery status.

Indication				
Battery Status	Full	Mid	Charging required	Battery exhausted

blinks when the battery is exhausted.

Icons

The following icons are displayed in the Icon Area.

POWER ICON

- "L1" is displayed when the output power is set to Low.
- "L2" is displayed when the output power is set to Mid.
- "H" is displayed when the output power is set to High.

AUDIBLE ICON

Displayed when the channel is in the 'audible' (unmute) mode.

MESSAGE ICON

- Blinks after messages (Message or Status Message) have been received.
- Stops blinking when the screen is changed, or any key is pushed, but is displayed if unread messages are still in the Message memory.
- Disappears when all messages in the Message memory have been read.

BELL ICON

Displayed when a matching signal is received, depending on the presetting.

SCAN ICON

- Displayed when a scan is paused.
- Blinks while scanning.

SCAN TARGET CHANNEL ICON

Displayed when a matching signal is received, depending on the presetting.

SCRAMBLER/ENCRYPTION ICON

In the Analog mode:

Displayed when the Voice Scrambler function is ON.

In the Digital mode:

- Displayed when the Voice Encryption function is ON.
- Blinks when decoding an encrypted signal.

GPS ICON

- Displayed when valid position data is received.
- Blinks when searching for satellites or calculating position data.

RECORD ICON

- Displayed when the Record function is ON.
- Blinks while recording audio.

- ① is displayed when there is no microSD card free space and audio cannot be recorded.

TALK AROUND ICON

Displayed when the Talk Around function is ON.

PHONE ICON

- Displayed when the transceiver is connected to a telephone network on the selected channel.
- Blinks while receiving a phone call.

SITE LOCK ICON

Displayed when the Site Lock function is ON.

LONE WORKER ICON

Displayed when the Lone Worker function is ON.

MOTION SENSOR ICON

Displayed when the Motion Sensor function is ON.

NOISE CANCEL ICON

Displayed when the Noise Cancel function is ON.

SURVEILLANCE ICON

Displayed when the Surveillance function is ON.

VIBRATION ICON

Displayed when the Vibration function is ON.

VOX ICON

Displayed when the VOX function is ON.

Bluetooth® ICON

- Displayed when Bluetooth® is activated.
- Lights Blue when a Bluetooth® device is connected.
- Does not light when no Bluetooth® device is connected.

microSD ICON

Displayed when a microSD card is inserted into the card slot.

- is displayed when the microSD card has not been formatted.

USB ICON

Displayed when a USB device is connected.

◇ Text Area

Displays the selected Zone number, Channel number, and Channel name, if set.

◇ Key Display Area

Displays the names of the function assigned to [P1] and [P2].

Ask your dealer about the assigned Software key functions.

BATTERY CHARGING (Continued)

◇ Rapid charging with the BC-214

You can rapidly charge up to 6 battery packs with the optional BC-214.

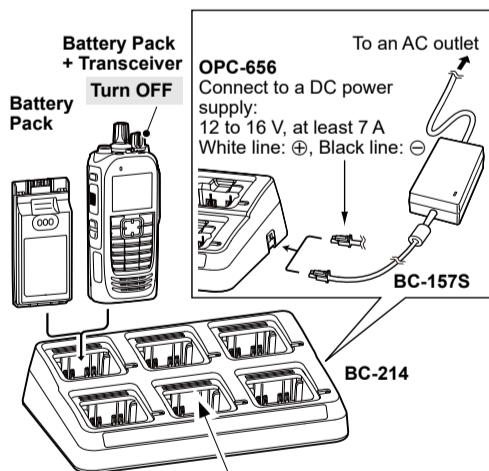
Charging time:

Approximately 4.6 hours for the BP-284

Additionally needed item (purchase separately):

- The BC-157S AC ADAPTER or the OPC-656 dc power cable
- The AD-132N CHARGER ADAPTER (may be supplied with the charger, depending on the charger version)

CAUTION: NEVER reverse the polarity when connecting the OPC-656 to a power source. This will ruin the battery charger.
White line: ⊕, Black line: ⊖



* Charger adapter's shape may differ, depending on the charger version.

BASIC OPERATION

◇ Turning ON the transceiver

NOTE: Before using the transceiver for the first time, the battery pack must be fully charged for optimum life and operation. See the BATTERY CHARGING section of this sheet.

Rotate [VOL] to turn ON the transceiver.

◇ Receiving and Transmitting

Receiving:

1. Select a channel.
 - ① Rotate [Selector] or push [Up] or [Down], depending on the presetting.
2. When receiving a call, rotate [VOL] to adjust the audio output level to a comfortable listening level.

Transmitting:

CAUTION: DO NOT transmit without an antenna.

1. Wait until the channel is clear to avoid interference.
2. While holding down [PTT], speak at your normal voice level.
3. Release [PTT] to receive.

IMPORTANT:

To maximize the readability of your signal:

1. After pushing [PTT], pause briefly before you start speaking.
2. Hold the microphone 5 to 10 cm (2 to 4 inches) from your mouth, then speak at your normal voice level.

OPTIONS

◇ BATTERY PACKS

• BP-283 LI-ION BATTERY PACK

Voltage: 7.2 V
Capacity: 1950 mAh (minimum), 2010 mAh (typical)
Battery life: Approximately 9 hours (IC-F7010T/IC-F7010S)

• BP-284 LI-ION BATTERY PACK

Voltage: 7.2 V
Capacity: 3120 mAh (minimum), 3210 mAh (typical)
Battery life: Approximately 14 hours*1 (IC-F7010T/IC-F7010S)

*1 When the power save function is set to "Short," and the operating periods are calculated under the following conditions:
TX : RX : standby = 5 : 5 : 90

◇ CHARGERS

• BC-219N DESKTOP CHARGER + BC-123S AC ADAPTER

To rapidly charge the battery pack.

Charging time: Approximately 4.5 hours for the BP-284

① A power adapter may be supplied, depending on the charger's version.

• BC-214 MULTI-CHARGER + BC-157S AC ADAPTER, OPC-656 DC POWER CABLE

For rapidly charging of up to 6 battery packs simultaneously.

Charging time: Approximately 4.6 hours for the BP-284

① The AD-132N charger adapter may be needed, depending on the charger's version.

① The BC-157S ac adapter or OPC-656 dc power cable must be purchased separately.

• BC-225 INTELLIGENT DESKTOP CHARGER + BC-123S AC ADAPTER + RS-BC225 READER SOFTWARE

To rapidly charge the battery pack.

You can check the charging status using the RS-BC225.

Charging time: Approximately 4.3 hours for the BP-284

① A power adapter may be supplied, depending on the charger's version.

① An USB (Micro-B) cable is required to connect the BC-225 and a PC with the RS-BC225 installed.

• BC-227 RAPID CHARGER + BC-123S AC ADAPTER, OPC-515L DC POWER CABLE

To rapidly charge the battery pack.

Charging time: Approximately 4.3 hours for the BP-284

① OPC-515L DC POWER CABLE must be purchased separately.

◇ DC CABLES

• CP-23L CIGARETTE LIGHTER CABLE

Used when charging battery packs through a 12 V cigarette lighter socket. For use with the BC-219N.

• OPC-515L, OPC-656 DC POWER CABLES

Used when charging battery packs using a 13.8 V DC power source instead of the power adapter.

OPC-515L: For the BC-219N

OPC-656: For the BC-214

◇ BELT CLIPS and BELT HANGERS

• MB-133 BELT CLIP

• MB-136 BELT CLIP

Rotating type.

• MB-96F, MB-96FL, MB-96N BELT HANGERS

BATTERY CHARGING

NOTE:

- Before detaching or attaching a battery pack, BE SURE to turn OFF the transceiver by rotating [VOL] fully counter clockwise, until it makes a "click" sound. Otherwise, a transceiver malfunction could occur.
- The internal clock will be reset to 00:00 if an exhausted battery is left in the transceiver, or the battery pack is detached, for long periods of time.

◇ Rapid charging with the BC-219N/BC-225

You can rapidly charge the Li-ion battery pack with the BC-219N or BC-225.

Charging time:

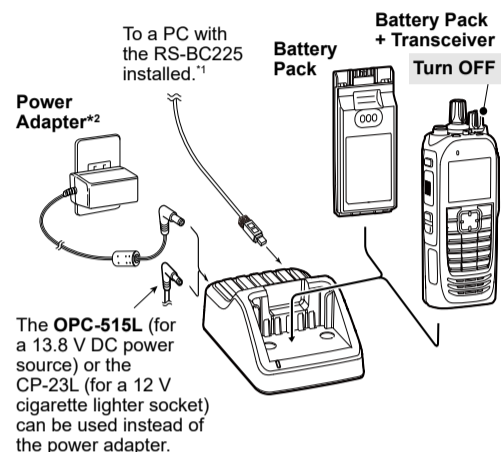
BC-219N: Approximately 4.5 hours for the BP-284
BC-225: Approximately 4.3 hours for the BP-284

Additionally needed item (purchase separately):

- A power adapter (may be supplied with the charger, depending on the charger version) or the OPC-515L/CP-23L DC POWER CABLES.
- A USB cable to connect the PC and BC-225 when using the RS-BC225.

CAUTION: NEVER reverse the polarity when connecting the OPC-515L to a power source. This will ruin the battery charger.

White line: ⊕, Black line: ⊖



The OPC-515L (for a 13.8 V DC power source) or the CP-23L (for a 12 V cigarette lighter socket) can be used instead of the power adapter.

*1 The RS-BC225 is usable for only with the BC-225.

*2 A different type, or no power adapter is supplied, depending on the charger version.

◇ ANTENNA

• FA-S81VS, FA-S82VS, FA-S83VS, FA-S81US, FA-S82US STUBBY ANTENNAS

Shorter VHF or UHF antennas.

FA-S81VS: 136 ~ 150 MHz FA-S82VS: 150 ~ 162 MHz
FA-S83VS: 160 ~ 174 MHz FA-S81US: 400 ~ 450 MHz
FA-S82US: 450 ~ 490 MHz

• FA-S81V, FA-S82V, FA-S83V, FA-S81U, FA-S82U, FA-S83U FLEXIBLE ANTENNAS

VHF or UHF antennas.

FA-S81V: 136 ~ 150 MHz FA-S82V: 148 ~ 162 MHz
FA-S83V: 160 ~ 174 MHz FA-S81U: 380 ~ 430 MHz
FA-S82U: 430 ~ 480 MHz FA-S83U: 470 ~ 520 MHz

• FA-S67VC, FA-S76UC CUT ANTENNAS

FA-S67VC: 136 ~ 174 MHz FA-S76UC: 380 ~ 520 MHz
FA-S100U ANTENNA 760 ~ 870 MHz

• FA-S100U ANTENNA

◇ OTHERS

• AD-118 ACC ADAPTER

To connect an accessory. See the AD-118 instruction sheet for details of recommended accessories.

CAUTION: The AD-118 does not have waterproof protection. When it is connected, NEVER expose the adapter and the transceiver to rain, snow or any liquids.

• LC-184 CARRYING CASE

For the simple key types and Ten-key types.

• VS-4MC PTT SWITCH CABLE + HS-94, HS-95, HS-97 HEADSET

VS-4MC: Used to connect a headset to a transceiver.

HS-94: Ear-hook type

HS-95: Neck-arm type

HS-97: Throat microphone

• HM-222/HM-222H SPEAKER MICROPHONE

With an Emergency key, meets IP68 requirements for dust-tight and waterproof protection.

HM-222: Speaker microphone

HM-222H: High audio output type

① High audio output is only usable with transceivers that support the function. (With a "U" mark on the serial number label)

• VS-3 Bluetooth® HEADSET

The Bluetooth® headset with a [PTT] switch.

• About the third party Bluetooth® headsets:

Icom has checked the PTT operation with some 3M Peltor headsets such as the WS Headset XP, WS ProTac XP and WS Alert XP. (Compatibility not guaranteed.)

○ For only the IC-F7040T/IC-F7040S

• VS-5MC PTT SWITCH CABLE + HS-94, HS-95, HS-97 HEADSET

VS-5MC: Used to connect a headset to a transceiver.

HS-94: Ear-hook type

HS-95: Neck-arm type

HS-97: Throat microphone

• HM-163MC TIEPIN TYPE MICROPHONE + EH-15B EARPONE, SP-28 EAR HOOK TYPE EARPONE

• SP-32 TUBE TYPE EARPONE ADAPTER

For use with EH-15B.

• SP-27 TUBE EARPONE, SP-29 EAR HOOK TYPE EARPONE, SP-40 EARPONE + AD-135 EARPONE ADAPTER

AD-135: Used To connect an earphone to the transceiver's multi-connector.

Some options may not be available in some countries. Ask your dealer for details.