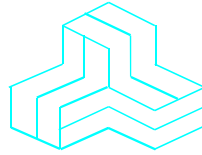


# ENGINEERING TEST REPORT



**VHF Marine Transceiver**  
**Model No.: IC-M25**  
**FCC ID: AFJ372300**

*Applicant:*

**ICOM Incorporated**  
1-1-32, Kamiminami,  
Hirano-ku, Osaka  
Japan 547-0003

**Tested in Accordance With**

**Federal Communications Commission (FCC)**  
**47 CFR, Part 2, Part 80 (Marine in 156.025-157.425 MHz)**

**UltraTech's File No.: 15ICOM406\_FCC80**

This Test report is Issued under the Authority of  
Tri M. Luu  
Vice President of Engineering  
UltraTech Group of Labs

Date: May 14, 2015

Report Prepared by: Dharmajit Solanki

Tested by: Wei Wu, RF Technician

Issued Date: May 14, 2015

Test Dates: May 5 - 14, 2015

*The results in this Test Report apply only to the sample(s) tested, and the sample tested is randomly selected.  
This report must not be used by the client to claim product endorsement by NVLAP or any agency of the US Government.*

## UltraTech

3000 Bristol Circle, Oakville, Ontario, Canada, L6H 6G4  
Tel.: (905) 829-1570 Fax.: (905) 829-8050  
Website: [www.ultratech-labs.com](http://www.ultratech-labs.com), Email: [vic@ultratech-labs.com](mailto:vic@ultratech-labs.com), Email: [tri@ultratech-labs.com](mailto:tri@ultratech-labs.com)



91038



1309



46390-2049



NVLAP LAB  
CODE 200093-0



SL2-IN-E-  
1119R



Korea  
KCC-RRA  
CA2049



TL363\_B



TPTDP  
DA1300

## TABLE OF CONTENTS

<b>EXHIBIT 1. INTRODUCTION .....</b>	<b>1</b>
1.1. SCOPE.....	1
1.2. RELATED SUBMITTAL(S)/GRANT(S).....	1
1.3. NORMATIVE REFERENCES .....	1
<b>EXHIBIT 2. PERFORMANCE ASSESSMENT .....</b>	<b>2</b>
2.1. CLIENT INFORMATION.....	2
2.2. EQUIPMENT UNDER TEST (EUT) INFORMATION.....	2
2.3. EUT'S TECHNICAL SPECIFICATIONS.....	3
2.4. LIST OF EUT'S PORTS.....	3
2.5. ANCILLARY EQUIPMENT .....	3
<b>EXHIBIT 3. EUT OPERATING CONDITIONS AND CONFIGURATIONS DURING TESTS .....</b>	<b>4</b>
3.1. CLIMATE TEST CONDITIONS.....	4
3.2. OPERATIONAL TEST CONDITIONS & ARRANGEMENT FOR TEST SIGNALS.....	4
<b>EXHIBIT 4. SUMMARY OF TEST RESULTS .....</b>	<b>5</b>
4.1. LOCATION OF TESTS.....	5
4.2. APPLICABILITY & SUMMARY OF EMC EMISSION TEST RESULTS.....	5
4.3. MODIFICATIONS INCORPORATED IN THE EUT FOR COMPLIANCE PURPOSES .....	5
4.4. DEVIATION OF STANDARD TEST PROCEDURES .....	5
<b>EXHIBIT 5. TEST DATA.....</b>	<b>6</b>
5.1. RF POWER OUTPUT [ §§ 2.1046 & 80.215].....	6
5.2. MODULATION CHARACTERISTICS - AUDIO FREQUENCY RESPONSE [ §§ 2.1047(A) & 80.213(E)] .....	7
5.3. MODULATION LIMITING [ § 80.213 & § 2.1047(B)] .....	10
5.4. EMISSION MASK [ §§2.1049, 80.205 & 80.211] .....	13
5.5. TRANSMITTER ANTENNA POWER SPURIOUS/HARMONIC CONDUCTED EMISSIONS [ § 80.211(F)(3)]25	
5.6. TRANSMITTER SPURIOUS/HARMONIC RADIATED EMISSIONS [ § 80.211(F)(3)] .....	34
5.7. FREQUENCNY STABILITY [ §§ 2.1055 & 80.209] .....	36
<b>EXHIBIT 6. TEST EQUIPMENT LIST .....</b>	<b>38</b>
<b>EXHIBIT 7. MEASUREMENT UNCERTAINTY.....</b>	<b>39</b>
7.1. LINE CONDUCTED EMISSION MEASUREMENT UNCERTAINTY .....	39
7.2. RADIATED EMISSION MEASUREMENT UNCERTAINTY .....	39
<b>EXHIBIT 8. MEASUREMENT METHODS.....</b>	<b>40</b>
8.1. CONDUCTED POWER MEASUREMENTS .....	40
8.2. RADIATED POWER MEASUREMENTS (ERP & EIRP) USING SUBSTITUTION METHOD .....	41
8.3. FREQUENCY STABILITY.....	44
8.4. EMISSION MASK.....	45
8.5. SPURIOUS EMISSIONS (CONDUCTED).....	45

## EXHIBIT 1. INTRODUCTION

### 1.1. SCOPE

<b>Reference:</b>	FCC Parts 2 and 80
<b>Title:</b>	Telecommunication - Code of Federal Regulations, 47CFR, Parts 2 and 80
<b>Purpose of Test:</b>	To gain FCC Equipment Authorization for Radio operating in the frequency bands, 156.025-157.425 MHz (Marine)
<b>Test Procedures:</b>	Both conducted and radiated emissions measurements were conducted in accordance with TIA/EIA Standard TIA/EIA-603 D (2010) – Land Mobile FM or PM Communications Equipment Measurement and performance Standards.
<b>Categories of Station:</b>	Ship station transceiver operating in 156.025-157.425 MHz band

### 1.2. RELATED SUBMITTAL(S)/GRANT(S)

None

### 1.3. NORMATIVE REFERENCES

Publication	Year	Title
FCC CFR Parts 0-19, 80-End	2015	Code of Federal Regulations – Telecommunication
ANSI C63.4	2009	American National Standard for Methods of Measurement of Radio-Noise Emissions from Low-Voltage Electrical and Electronic Equipment in the Range of 9 kHz to 40 GHz
TIA/EIA 603, Edition D	2010	Land Mobile FM or PM Communications Equipment Measurement and Performance Standards
CISPR 22 & EN 55022	2008-09, Ed 6.0 2006	Information Technology Equipment - Radio Disturbance Characteristics - Limits and Methods of Measurement
CISPR 16-1-1 +A1 +A2	2006 2006 2007	Specification for radio disturbance and immunity measuring apparatus and methods. Part 1-1: Measuring Apparatus
CISPR 16-1-2 +A1 +A2	2003 2004 2006	Specification for radio disturbance and immunity measuring apparatus and methods. Part 1-2: Conducted disturbances

## ULTRATECH GROUP OF LABS

3000 Bristol Circle, Oakville, Ontario, Canada L6H 6G4  
Tel. #: 905-829-1570, Fax. #: 905-829-8050, Email: [vic@ultratech-labs.com](mailto:vic@ultratech-labs.com), Website: <http://www.ultratech-labs.com>

File #: 15ICOM406\_FCC80  
May 14, 2015

All test results contained in this engineering test report are traceable to National Institute of Standards and Technology (NIST)

## EXHIBIT 2. PERFORMANCE ASSESSMENT

### 2.1. CLIENT INFORMATION

Applicant	
<b>Name:</b>	Icom Incorporated
<b>Address:</b>	1-1-32, Kamiminami Hirano-ku, Oaska Japan, 547-0003
<b>Contact Person:</b>	Mr. Hideji Fujishima Phone #: +81-66-793-8424 Fax #: +81-66-793-3336 Email Address: <a href="mailto:world_support@icom.co.jp">world_support@icom.co.jp</a>

Manufacturer	
<b>Name:</b>	Icom Incorporated
<b>Address:</b>	1-1-32, Kamiminami Hirano-ku, Oaska Japan, 547-0003
<b>Contact Person:</b>	Mr. Hideji Fujishima Phone #: +81-66-793-8424 Fax #: +81-66-793-3336 Email Address: <a href="mailto:world_support@icom.co.jp">world_support@icom.co.jp</a>

### 2.2. EQUIPMENT UNDER TEST (EUT) INFORMATION

The following information (with the exception of the Date of Receipt) has been supplied by the applicant.

<b>Brand Name:</b>	ICOM Incorporated
<b>Product Name:</b>	VHF Marine Transceiver
<b>Model Name or Number:</b>	IC-M25
<b>Serial Number:</b>	0000022
<b>Type of Equipment:</b>	Licensed Non-Broadcast Transmitter Held to Face
<b>Power Supply Requirement:</b>	Rechargeable Li-Ion battery pack (M/N:BP-282,3.7V,1500mAh)
<b>Transmitting/Receiving Antenna Type:</b>	Non-integral
<b>Primary User Functions of EUT:</b>	VHF Marine Transceiver for Ship Station

### 2.3. EUT'S TECHNICAL SPECIFICATIONS

<b>Transmitter</b>	
<b>Equipment Type:</b>	Portable
<b>Intended Operating Environment:</b>	Marine
<b>Power Supply Requirement:</b>	3.7 V DC, 1500mAh
<b>RF Output Power Rating:</b>	5 Watts (High) and 1 Watt (Low)
<b>Operating Frequency Range:</b>	156.025-157.425 MHz (Marine)
<b>RF Output Impedance:</b>	50 Ohm
<b>Channel Spacing:</b>	25 kHz
<b>Modulation Employed:</b>	Variable reactance FM (frequency modulation)
<b>Occupied Bandwidth (99%):</b>	15.06 kHz
<b>Emission Designation*:</b>	16K0G3E
<b>Antenna Type:</b>	Herical Antenna (M/N: FA-SC59V, 156-163 MHz, -15.5 dBi)

\*For an average case of commercial telephony, the Necessary Bandwidth is calculated as follows:

Channel Spacing = 25 KHz, D = 5 KHz max, K = 1, M = 3 KHz

$B_n = 2M + 2DK = 2(3) + 2(5)(1) = 16 \text{ kHz}$

Emission designation: 16K0G3E

### 2.4. LIST OF EUT'S PORTS

Port Number	EUT's Port Description	Number of Identical Ports	Connector Type	Cable Type (Shielded/Non-shielded)
1	Antenna Connector	1	J type	N/A
2	SP/MIC	1	ICOM 1-pin Speaker-Microphone Jack	Non-Shielded
3	DC Power	1	Micro-B USB	Non-Shielded

### 2.5. ANCILLARY EQUIPMENT

<b>Ancillary Equipment # 1</b>	
Description:	Speaker Microphone
Brand Name:	Icom Inc.
Model Name or Number:	HM-213
Serial Number:	N/A

### EXHIBIT 3. EUT OPERATING CONDITIONS AND CONFIGURATIONS DURING TESTS

#### 3.1. CLIMATE TEST CONDITIONS

The climate conditions of the test environment are as follows:

<b>Temperature:</b>	21°C to 24°C
<b>Humidity:</b>	45 to 55%
<b>Pressure:</b>	102 kPa
<b>Power input source:</b>	3.7 V DC

#### 3.2. OPERATIONAL TEST CONDITIONS & ARRANGEMENT FOR TEST SIGNALS

<b>Operating Modes:</b>	The transmitter was operated in a continuous transmission mode with the carrier modulated as specified in the Test Data.
<b>Special Test Software:</b>	N/A
<b>Special Hardware Used:</b>	N/A
<b>Transmitter Test Antenna:</b>	The EUT is tested with the transmitter antenna port terminated to a 50 Ohm RF Load.

<b>Transmitter Test Signals</b>	
<b>Frequency Band(s):</b>	156.025 - 157.425 MHz
<b>Test Frequency(ies):</b>	156.050 and 157.425 MHz
<b>Transmitter Wanted Output Test Signals:</b>	
<ul style="list-style-type: none"> <li>• Transmitter Power (measured maximum output power):</li> <li>• Normal Test Modulation:</li> <li>• Modulating signal source:</li> </ul>	<p>4.68 Watts High, 0.69 Watt Low</p> <p>Variable reactance frequency modulation</p> <p>External</p>

## EXHIBIT 4. SUMMARY OF TEST RESULTS

### 4.1. LOCATION OF TESTS

All of the measurements described in this report were performed at Ultratech Group of Labs located in the city of Oakville, Province of Ontario, Canada.

Radiated Emissions were performed at the Ultratech's 3-10 TDK Semi-Anechoic Chamber situated in the Town of Oakville, province of Ontario. This test site been calibrated in accordance with ANSI C63.4, and found to be in compliance with the requirements of Sec. 2.948 of the FCC Rules. The descriptions and site measurement data of the Oakville 3-10 TDK Semi-Anechoic Chamber has been filed with FCC office (FCC File No.: 91038) and Industry Canada office (Industry Canada File No.: 2049A-3). Expiry Date: 2017-04-02.

### 4.2. APPLICABILITY & SUMMARY OF EMC EMISSION TEST RESULTS

FCC Section(s)	Test Requirements	Applicability (Yes/No)
2.1046 & 80.215	RF Power Output	Yes
2.1047(a) & 80.213(e)	Modulation Characteristics - Audio Frequency Response	Yes
2.1047(b) & 80.213	Modulation Characteristics - Modulation Limiting	Yes
2.1049, 80.205 & 80.211(f)	Occupied Bandwidth and Emission Limitations	Yes
2.1051, 2.1057 & 80.211(f)(3)	Spurious Emissions at Antenna Terminal	Yes
2.1053, 2.1057 & 80.211(f)(3)	Field Strength of Spurious Emissions	Yes
2.1055 & 80.209	Frequency Stability	Yes
80.217	Suppression of Interference aboard ships	Yes <sup>1</sup>
1.1307, 1.1310, 2.1091 & 2.1093	RF Exposure Limit	Yes <sup>2</sup>

<sup>1</sup> Complies with FCC Part 15, Subpart B.

<sup>2</sup> See SAR test report.

### 4.3. MODIFICATIONS INCORPORATED IN THE EUT FOR COMPLIANCE PURPOSES

None

### 4.4. DEVIATION OF STANDARD TEST PROCEDURES

None

---

#### ULTRATECH GROUP OF LABS

3000 Bristol Circle, Oakville, Ontario, Canada L6H 6G4  
Tel. #: 905-829-1570, Fax. #: 905-829-8050, Email: [vic@ultratech-labs.com](mailto:vic@ultratech-labs.com), Website: <http://www.ultratech-labs.com>

File #: 15ICOM406\_FCC80  
May 14, 2015

All test results contained in this engineering test report are traceable to National Institute of Standards and Technology (NIST)

## EXHIBIT 5. TEST DATA

### 5.1. RF POWER OUTPUT [§§ 2.1046 & 80.215]

#### 5.1.1. Limits

§ 80.215(e)(1) Ship stations 156–162 MHz - 25W<sup>1,2</sup>

Marine utility stations and hand-held portable transmitters: 156–162 MHz -10W

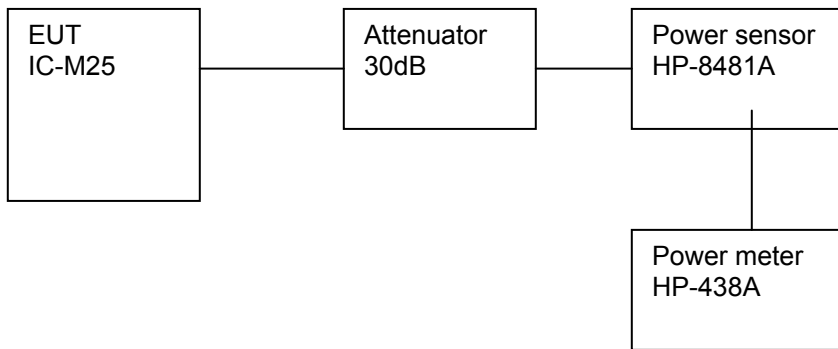
<sup>1</sup> Reducible to 1 watt or less, except for transmitters limited to public correspondence channels and used in an automated system.

<sup>2</sup> The frequencies 156.775 and 156.825 MHz are available for navigation-related port operations or ship movement only, and all precautions must be taken to avoid harmful interference to channel 16. Transmitter output power is limited to 1 watt for ship stations, and 10 watts for coast stations.

#### 5.1.2. Method of Measurements

Refer to Section 8.1 of this report for measurement details.

#### 5.1.3. Test Arrangement



#### 5.1.4. Test Data

Transmitter Channel Output	Fundamental Frequency (MHz)	Measured (Average) Conducted Power (W)	Power Rating (W)
<b>Power Setting: High</b>			
Lowest	156.050	4.68	5.0
Highest	157.425	4.61	5.0
<b>Power Setting: Low</b>			
Lowest	156.050	0.69	1.0
Highest	157.425	0.69	1.0



## 5.2. MODULATION CHARACTERISTICS - AUDIO FREQUENCY RESPONSE [§§ 2.1047(a) & 80.213(e)]

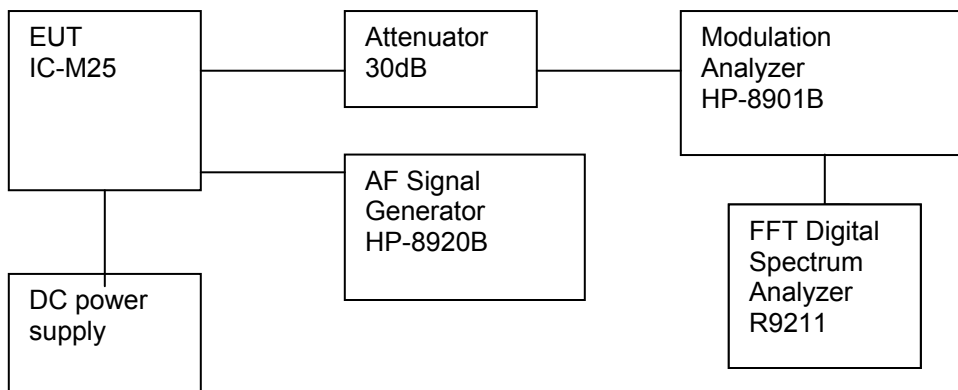
### 5.2.1. Limits

(e) Coast station transmitters operated in the 156–162 MHz band must be equipped with an audio low-pass filter. The filter must be installed between the modulation limiter and the modulated radio frequency stage. At frequencies between 3 kHz and 20 kHz it must have an attenuation greater than at 1 kHz by at least  $60\log_{10}(f/3)$  dB where “f” is the audio frequency in kilohertz. At frequencies above 20 kHz the attenuation must be at least 50 dB greater than at 1 kHz

### 5.2.2. Method of Measurements

The rated audio input signal was applied to the input of the audio low-pass filter (or of all modulation stages) using an audio oscillator, this input signal level and its corresponding output signal were then measured and recorded using the FFT (Audio) spectrum analyzer. Tests were repeated at different audio signal frequencies from 0 to 50 kHz.

### 5.2.3. Test Arrangement

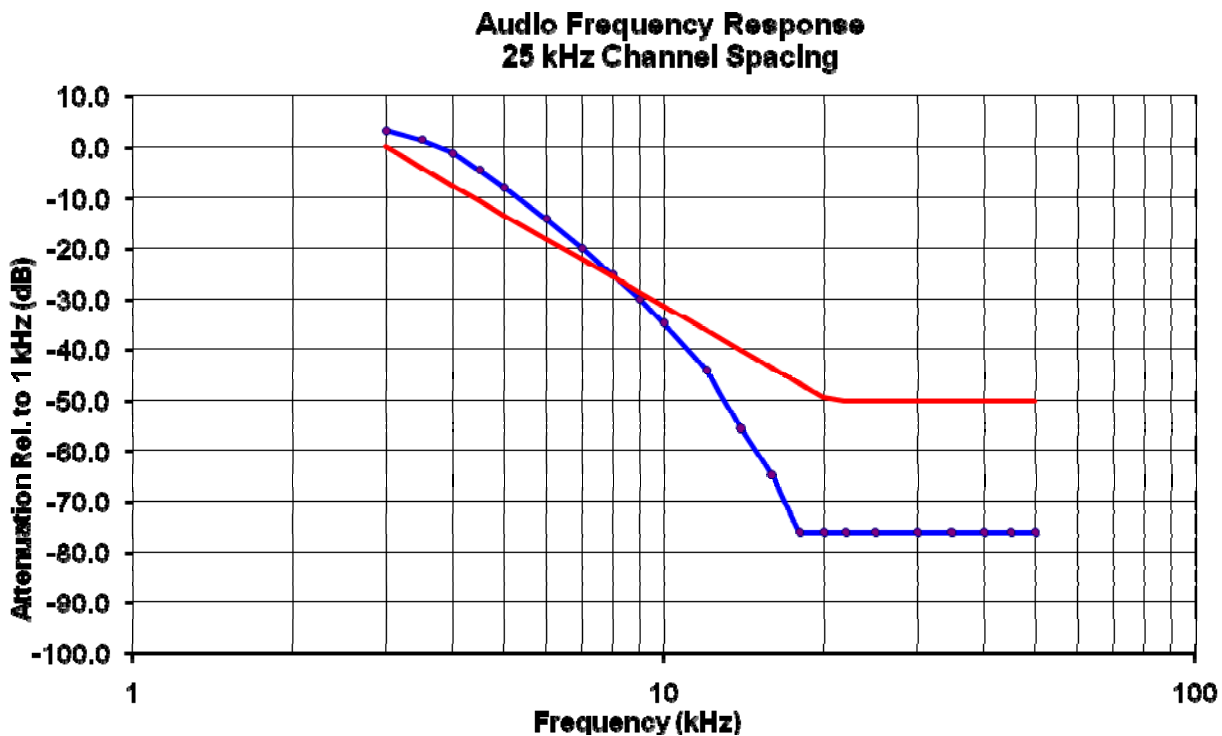


#### 5.2.4. Test Data

**Note:** Due to the difficulty of measuring the Frequency Response of the internal low-pass filter, the Frequency Response of All Modulation States are performed to show the roll-off at 3 kHz in comparison with the limit for audio low-pass filter.

▪ **Minimum Attenuation Rel. to 1 kHz Attenuation (25 kHz channel spacing)**

Frequency (kHz)	Audio IN (dBV)	Audio OUT (dBV)	Attenuation (OUT - IN) (dB)	Attenuation wrt. 1 kHz (dB)	Recommended FCC Limit (dB)
0.1	-52.40	-26.08	26.3	-32.2	--
0.2	-52.40	-14.16	38.2	-20.3	--
0.4	-52.40	-3.71	48.7	-9.8	--
0.6	-52.40	0.77	53.2	-5.3	--
0.8	-52.40	3.86	56.3	-2.3	--
1.0	-52.40	6.11	58.5	0.0	--
1.5	-52.40	9.71	62.1	3.6	--
2.0	-52.40	10.29	62.7	4.2	--
2.5	-52.40	10.01	62.4	3.9	--
3.0	-52.40	9.31	61.7	3.2	0
3.5	-52.40	7.56	60.0	1.5	-4
4.0	-52.40	4.92	57.3	-1.2	-7
4.5	-52.40	1.67	54.1	-4.4	-11
5.0	-52.40	-1.69	50.7	-7.8	-13
6.0	-52.40	-7.93	44.5	-14.0	-18
7.0	-52.40	-13.74	38.7	-19.9	-22
8.0	-52.40	-19.03	33.4	-25.1	-26
9.0	-52.40	-23.81	28.6	-29.9	-29
10.0	-52.40	-28.61	23.8	-34.7	-31
12.0	-52.40	-37.95	14.5	-44.1	-36
14.0	-52.40	-49.61	2.8	-55.7	-40
16.0	-52.40	-58.71	-6.3	-64.8	-44
18.0	-52.40	-70.00	-17.6	-76.1	-47
20.0	-52.40	-70.00	-17.6	-76.1	-49
22.0	-52.40	-70.00	-17.6	-76.1	-50
25.0	-52.40	-70.00	-17.6	-76.1	-50
30.0	-52.40	-70.00	-17.6	-76.1	-50
35.0	-52.40	-70.00	-17.6	-76.1	-50
40.0	-52.40	-70.00	-17.6	-76.1	-50
45.0	-52.40	-70.00	-17.6	-76.1	-50
50.0	-52.40	-70.00	-17.6	-76.1	-50



### 5.3. MODULATION LIMITING [§ 80.213 & § 2.1047(b)]

#### 5.3.1. Limits

§ 80.213 (a)(2) When phase or frequency modulation is used in the 156-162 MHz band the peak modulation must be maintained between 75 and 100 percent. A frequency deviation of  $\pm 5$  kHz is defined as 100 percent peak modulation; and

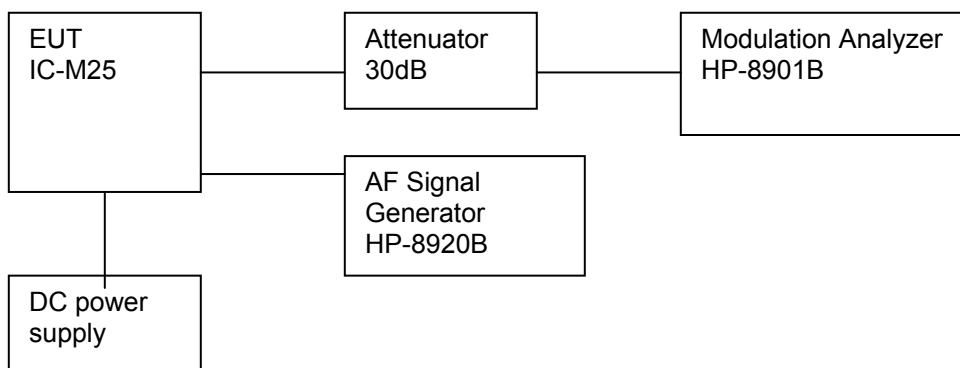
§ 80.213 (b) Radiotelephone transmitters using A3E, F3E and G3E emission must have a modulation limiter to prevent any modulation over 100 percent. This requirement does not apply to survival craft transmitters, to transmitters that do not require a license or to transmitters whose output power does not exceed 3 watts.

§ 80.213 (d) Ship and coast station transmitters operating in the 156-162 MHz and 216-220 bands must be capable of proper operation with a frequency deviation that does not exceed  $\pm 5$  kHz when using any emission authorized by Sec. 80.207.

#### 5.3.2. Method of Measurements

**For Audio Transmitter:-** The carrier frequency deviation was measured with the tone input signal level varied from 0 Vp to audio input rating level plus 16 dB at frequencies 0.1, 0.5, 1.0, 3.0 and 5.0 kHz. The maximum deviation was recorded at each test condition.

#### 5.3.3. Test Arrangement



5.3.4. Test Data

5.3.4.1. Voice Modulation Limiting

MODULATING SIGNAL LEVEL	PEAK FREQUENCY DEVIATION (kHz) at the following modulating frequency:					MAXIMUM LIMIT (kHz)
	0.1 kHz	0.5 kHz	1.0 kHz	3.0 kHz	5.0 kHz	
(mVrms)						
1	0.31	0.72	1.30	3.11	1.28	5.0
2	0.33	1.27	2.56	4.20	1.30	5.0
4	0.38	2.15	4.19	4.20	1.25	5.0
6	0.39	3.22	4.52	4.20	1.25	5.0
8	0.42	4.28	4.52	4.20	1.20	5.0
10	0.46	4.38	4.50	4.20	1.22	5.0
15	0.56	4.44	4.48	4.20	1.20	5.0
20	0.72	4.40	4.46	4.20	1.20	5.0
25	0.86	4.39	4.43	4.20	1.20	5.0
30	1.14	4.40	4.43	4.20	1.20	5.0
35	1.15	4.40	4.43	4.20	1.20	5.0
40	1.36	4.40	4.43	4.20	1.20	5.0
45	1.57	4.40	4.43	4.20	1.20	5.0
50	1.62	4.40	4.43	4.20	1.20	5.0
60	1.91	4.40	4.43	4.20	1.20	5.0
70	2.26	4.40	4.43	4.20	1.20	5.0
80	3.42	4.40	4.43	4.20	1.20	5.0
90	4.32	4.40	4.43	4.20	1.20	5.0
100	4.58	4.40	4.43	4.20	1.20	5.0
150	4.60	4.40	4.43	4.20	1.20	5.0
200	4.60	4.40	4.43	4.20	1.20	5.0

Voice Signal Input Level = STD MOD Level + 16 dB = 23.60 dB(mVrms) = 15.14 mVrms		
Modulation Frequency (KHz)	Peak Deviation (KHz)	Maximum Limit (KHz)
0.1	0.64	5.0
0.2	1.88	5.0
0.4	4.45	5.0
0.6	4.41	5.0
0.8	4.45	5.0
1.0	4.48	5.0
1.2	4.52	5.0
1.4	4.52	5.0
1.6	4.52	5.0
1.8	4.53	5.0
2.0	4.57	5.0
2.5	4.51	5.0
3.0	4.20	5.0
3.5	3.46	5.0
4.0	2.55	5.0
4.5	1.76	5.0
5.0	1.20	5.0
6.0	0.58	5.0
7.0	0.30	5.0
8.0	0.19	5.0
9.0	0.13	5.0
10.0	0.10	5.0

**5.4. EMISSION MASK [§§2.1049, 80.205 & 80.211]**

**5.4.1. Limits**

Emissions shall be attenuated below the mean output power of the transmitter as follows:

Emission designator	Maximum Authorized BW (kHz)	Channel Spacing (kHz)	Recommended Frequency Deviation (kHz)	Applicable Mask
16K0G3E	20	25	5	See § 80.211 (f)

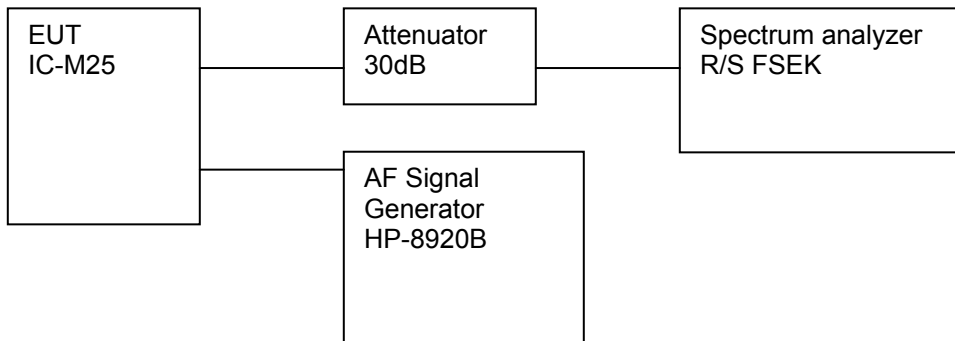
§ 80.211 (f) Emission Limitations:

- (1) On any frequency removed from the assigned frequency by more than 50 percent up to and including 100 percent of the authorized bandwidth: At least 25 dB;
- (2) On any frequency removed from the assigned frequency by more than 100 percent up to and including 250 percent of the authorized bandwidth: At least 35 dB; and
- (3) On any frequency removed from the assigned frequency by more than 250 percent of the authorized bandwidth: At least 43 plus 10log10 (mean power in watts) dB.

**5.4.2. Method of Measurements**

Refer to Section 8.4 of this report for measurement details

**5.4.3. Test Arrangement**



#### 5.4.4. Test Data

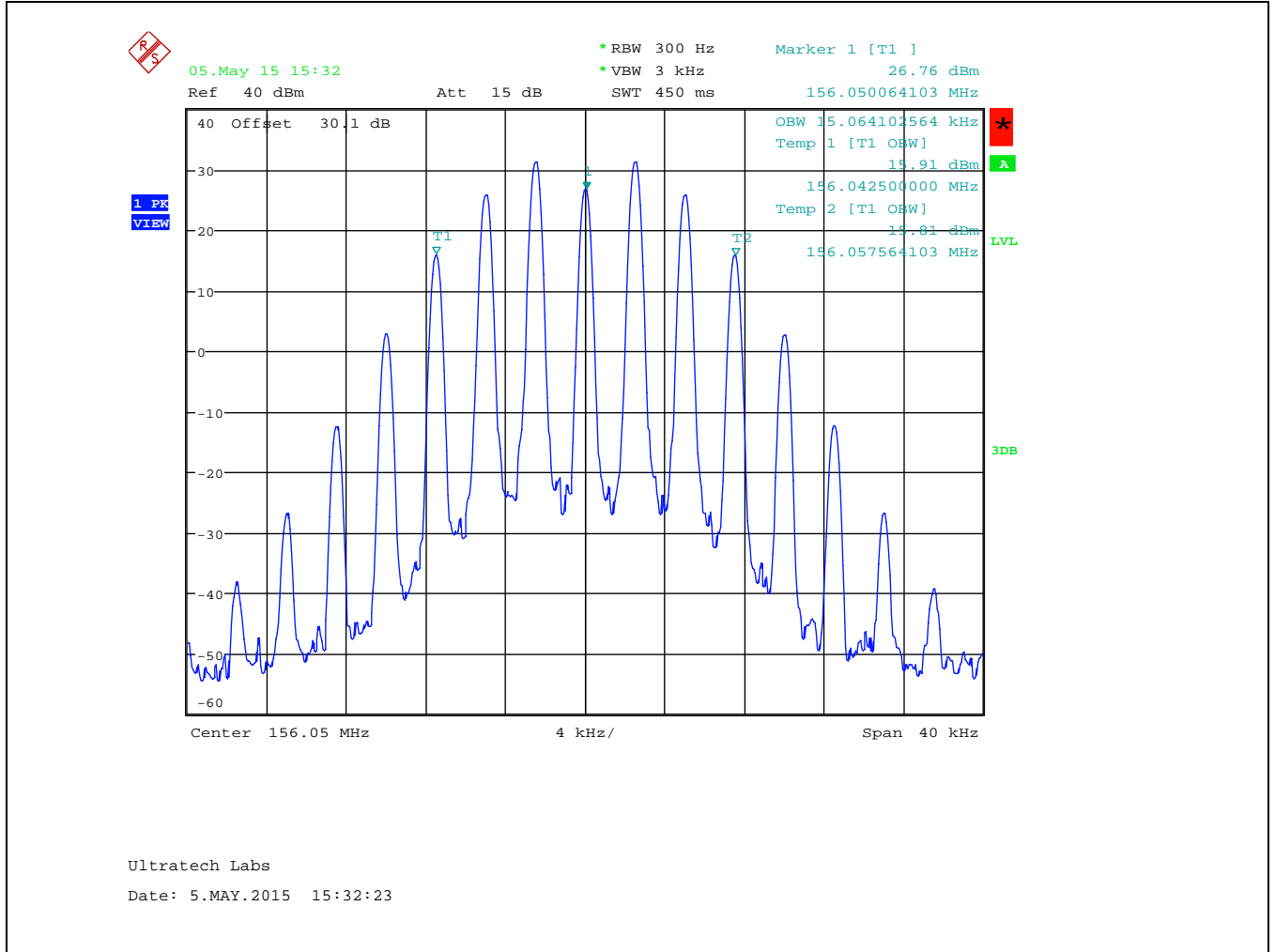
##### 5.4.4.1. 99% Occupied Bandwidth

<b>Remark:</b> 99% Occupied Bandwidth measurements were done using the built-in auto function of the analyzer.			
<b>Frequency (MHz)</b>	<b>Channel Spacing (kHz)</b>	<b>Measured 99% OBW (kHz)</b>	<b>Authorized Bandwidth (kHz)</b>
156.050	25	15.06	20
157.425	25	15.06	20

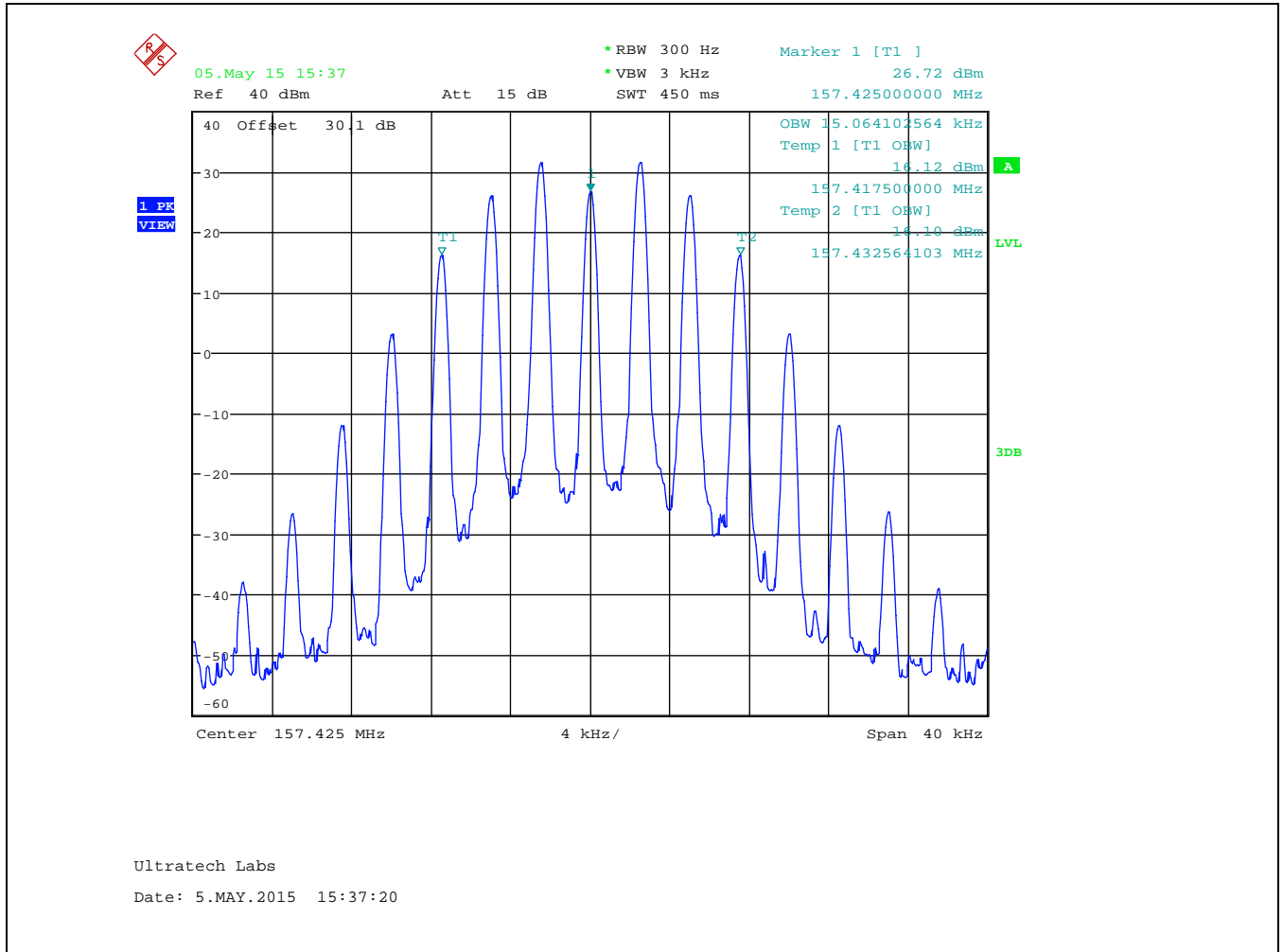
See the following plots for details of measurements.



Plot 5.4.4.1.1. Occupied Bandwidth for 156.050 MHz, 25 kHz Channel Spacing, High Power (5 W), G3E

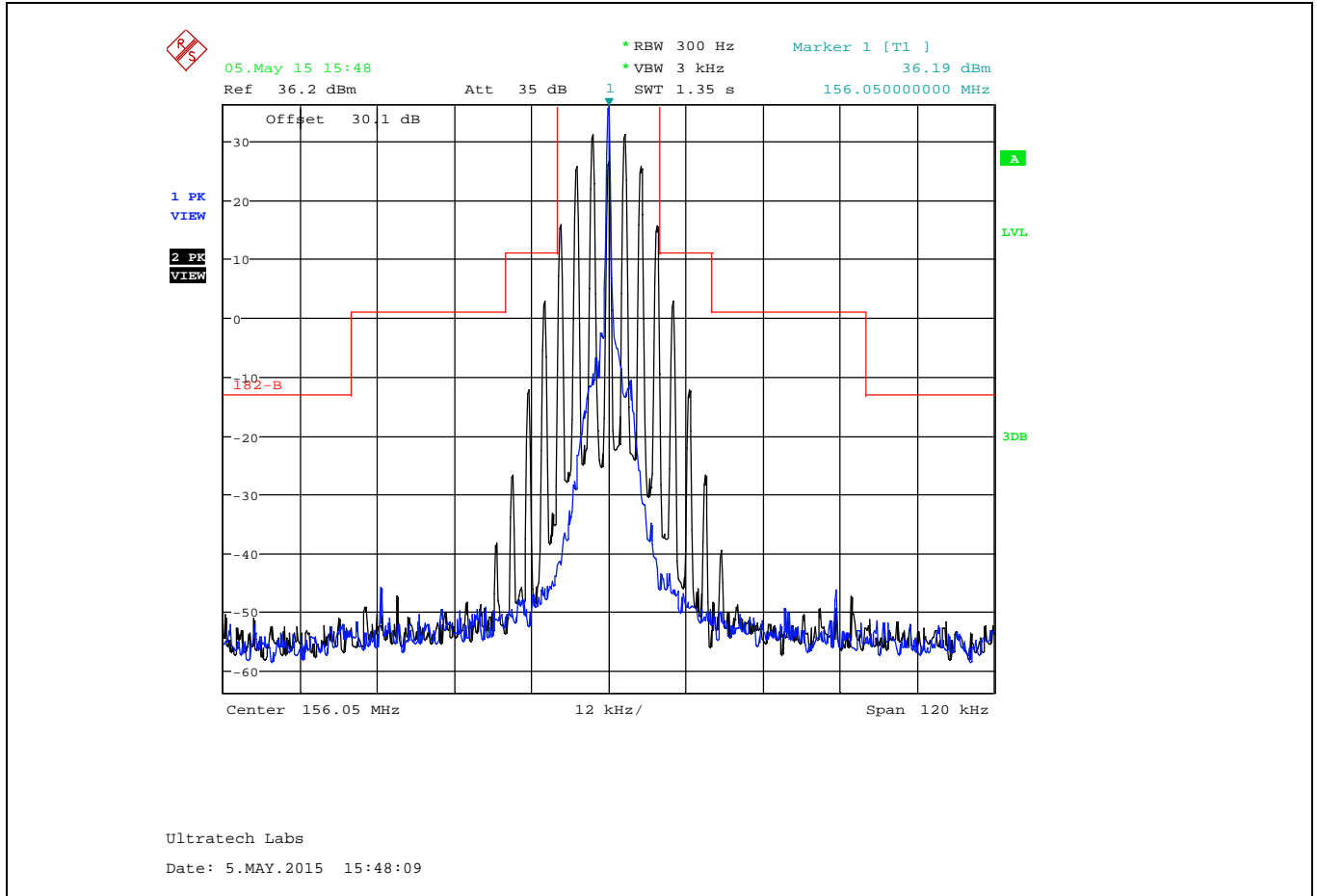


Plot 5.4.4.1.2. Occupied Bandwidth for 157.425 MHz, 25 kHz Channel Spacing, High Power (5 W), G3E

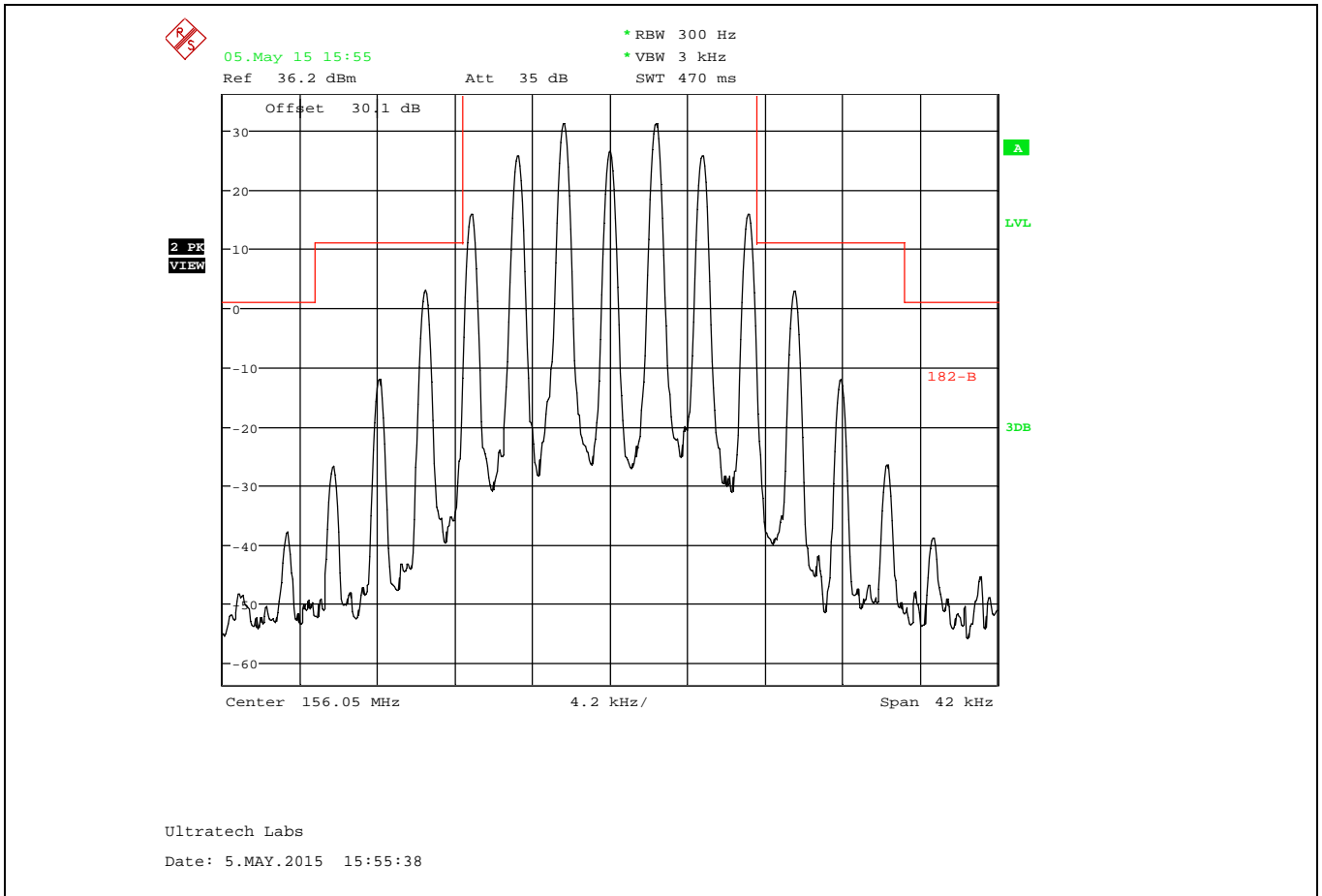


### 5.4.4.2. Emission Limitation

Plot 5.4.4.2.1. Emission Limitation for 156.050 MHz, 25 kHz Channel Spacing, High Power (5 W), G3E, 120 kHz Span



Plot 5.4.4.2.2. Emission Limitation for 156.050 MHz, 25 kHz Channel Spacing, High Power (5 W), G3E, 42 kHz Span



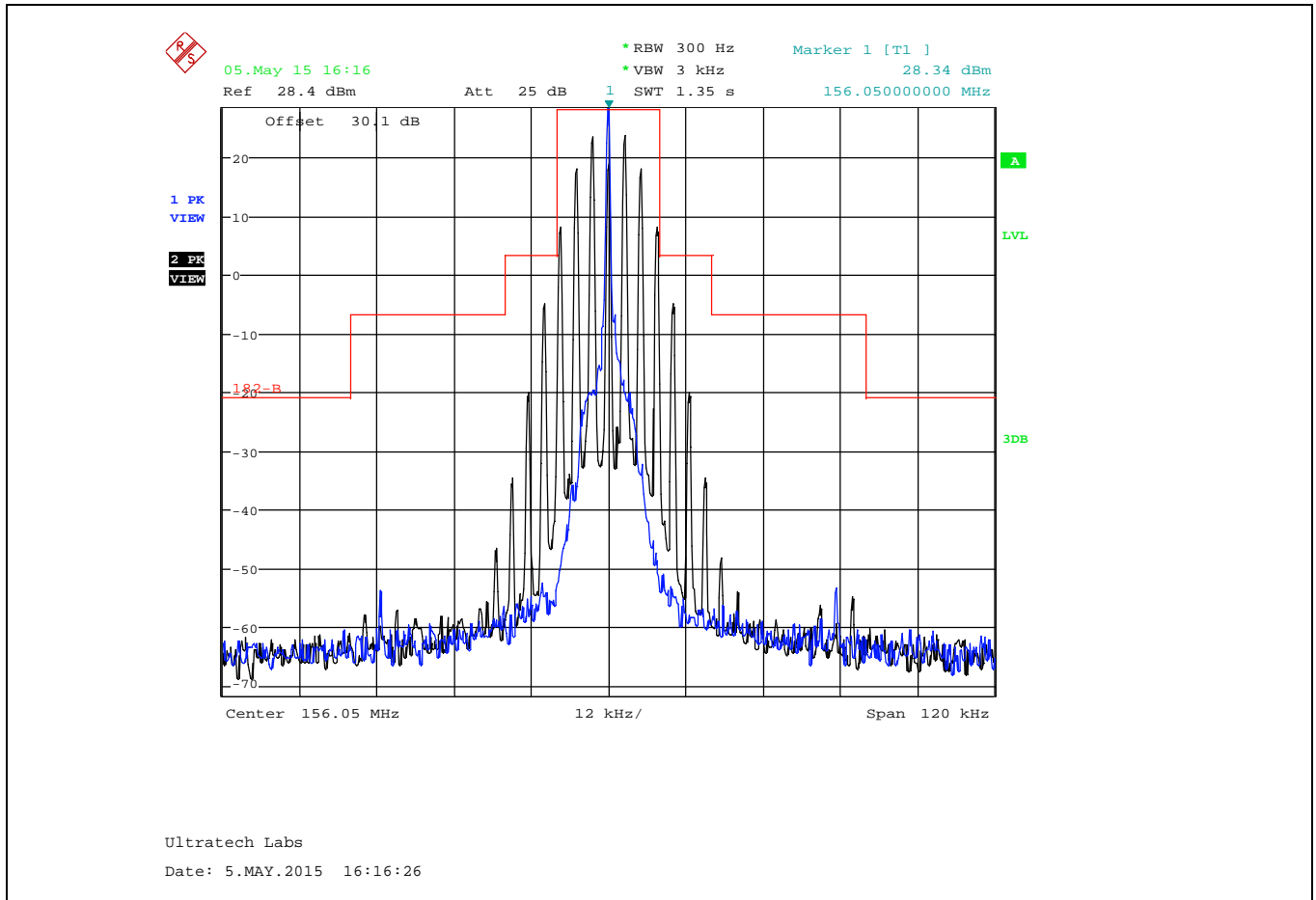
**ULTRATECH GROUP OF LABS**

3000 Bristol Circle, Oakville, Ontario, Canada L6H 6G4  
Tel. #: 905-829-1570, Fax. #: 905-829-8050, Email: [vic@ultratech-labs.com](mailto:vic@ultratech-labs.com), Website: <http://www.ultratech-labs.com>

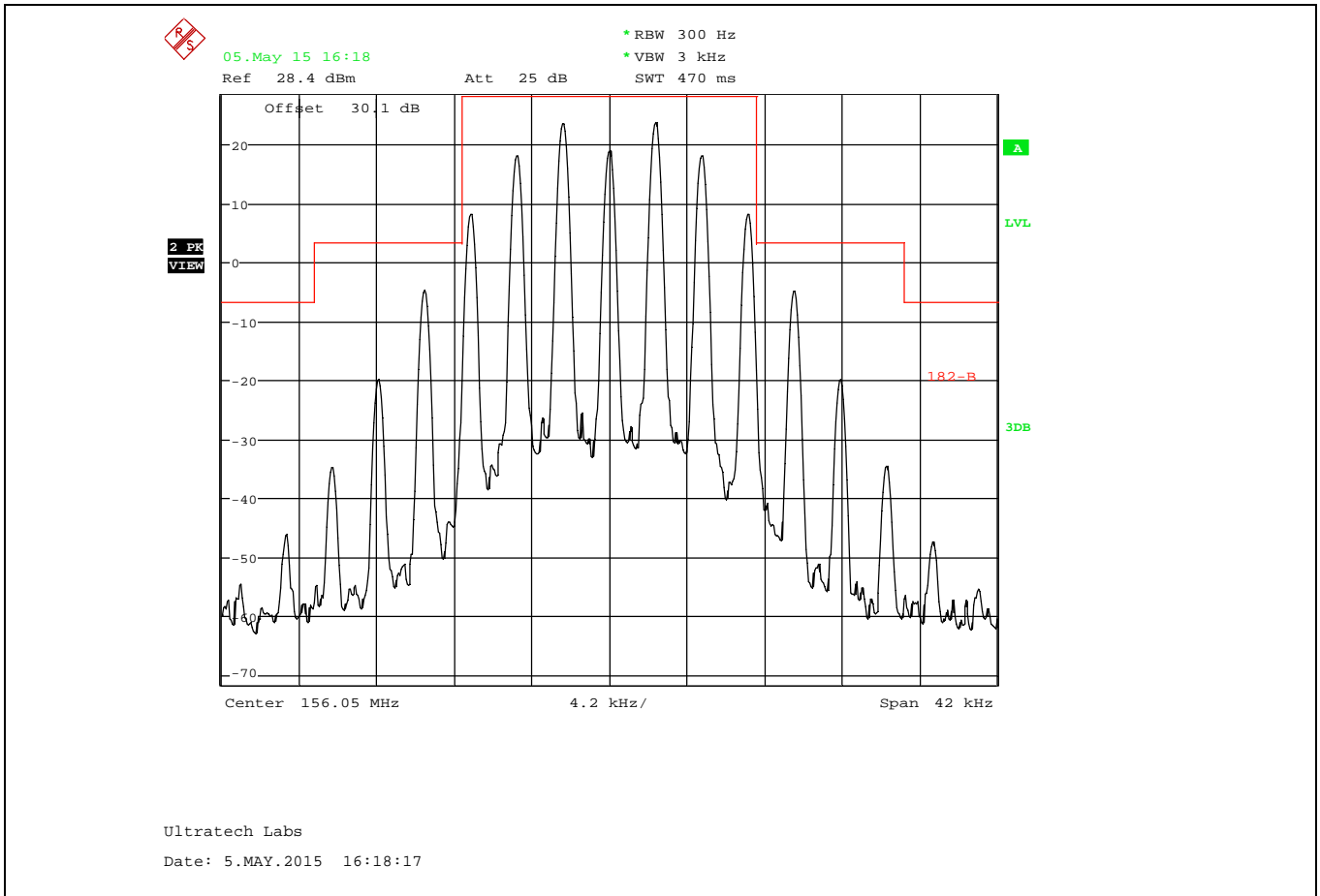
File #: 15ICOM406\_FCC80  
May 14, 2015

All test results contained in this engineering test report are traceable to National Institute of Standards and Technology (NIST)

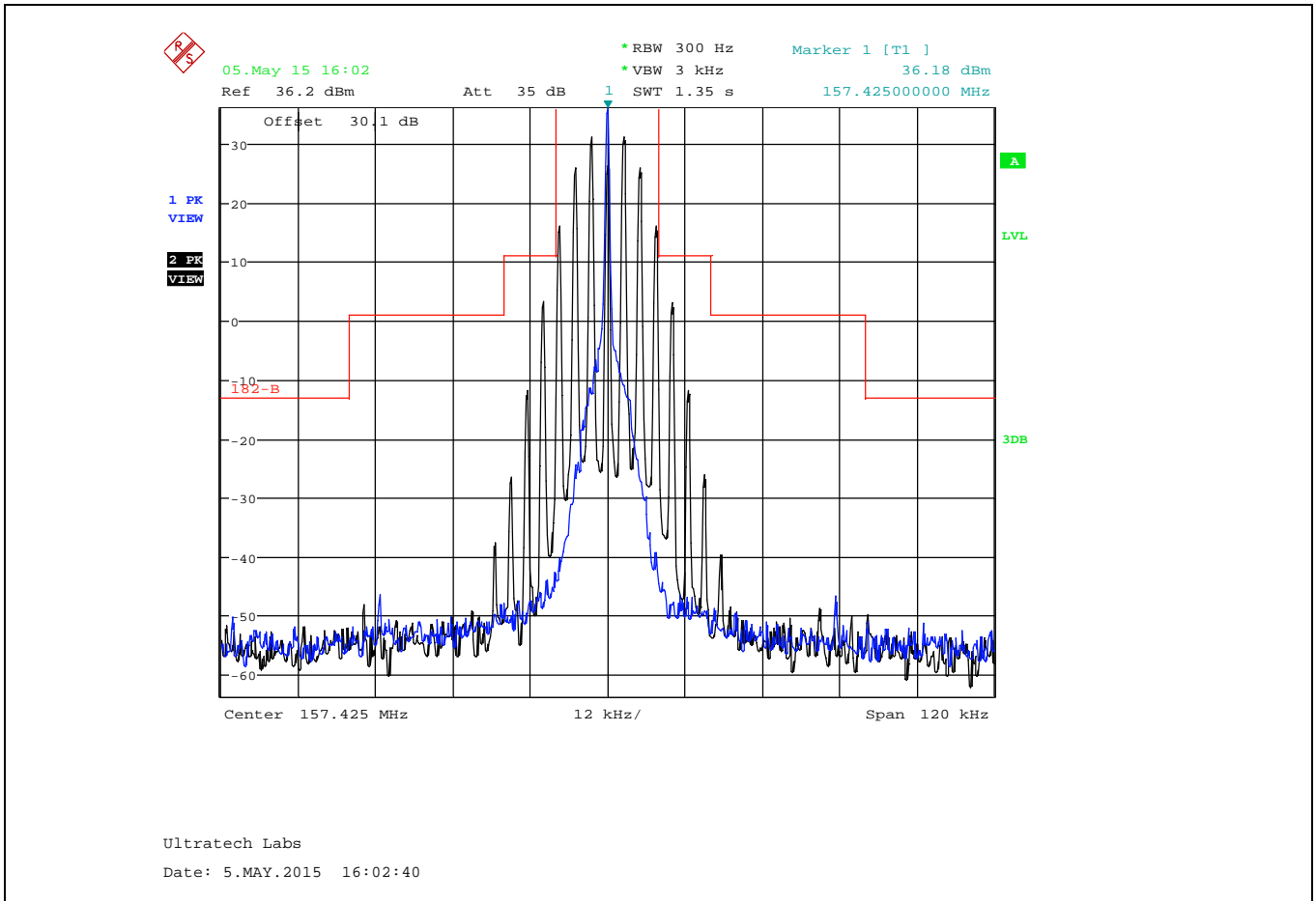
Plot 5.4.4.2.3. Emission Limitation for 156.050 MHz, 25 kHz Channel Spacing, Low Power (1 W), G3E, 120 kHz Span



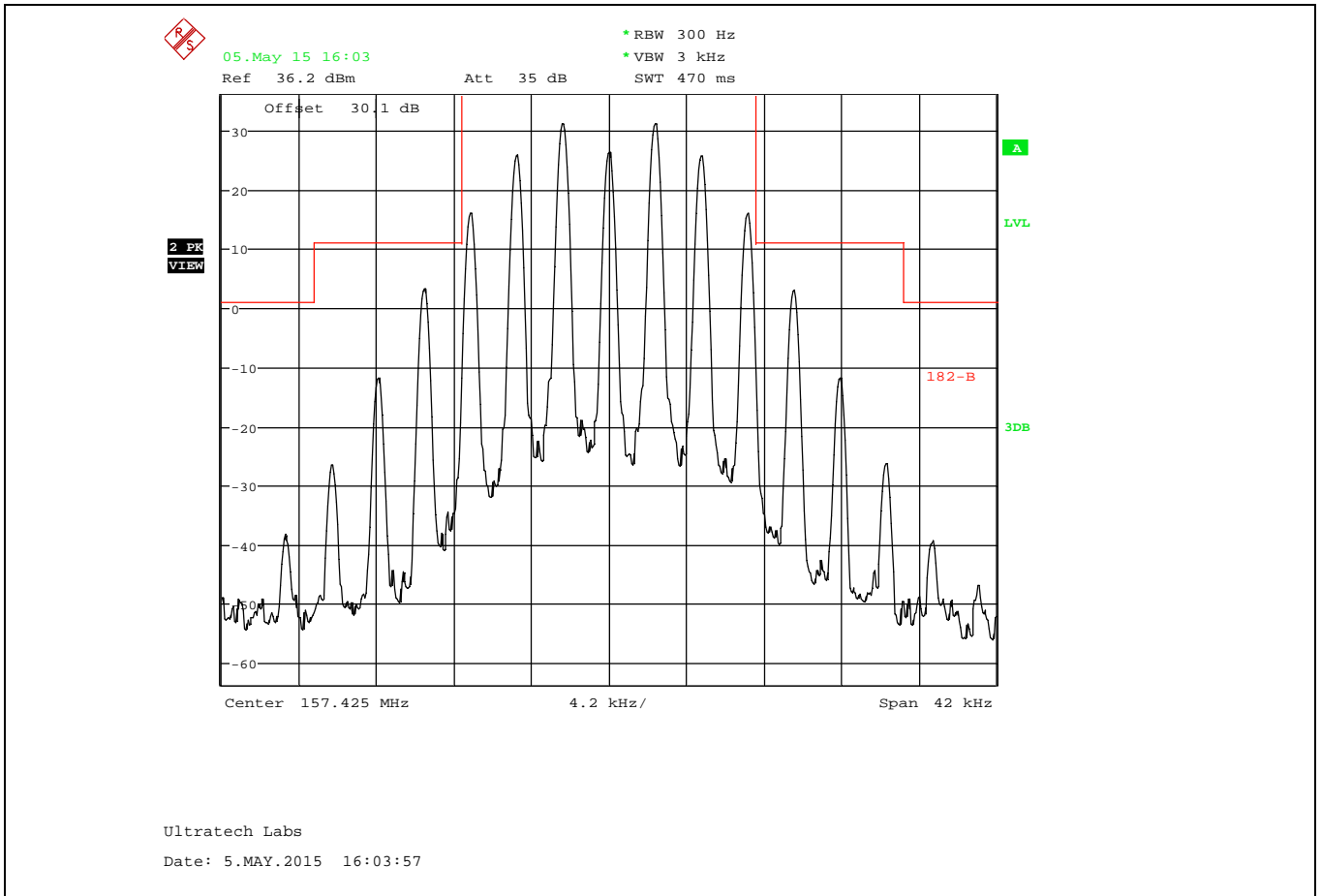
Plot 5.4.4.2.4. Emission Limitation for 156.050 MHz, 25 kHz Channel Spacing, Low Power (1 W), G3E, 42 kHz Span



Plot 5.4.4.2.5. Emission Limitation for 157.425 MHz, 25 kHz Channel Spacing, High Power (5 W), G3E, 120 kHz Span

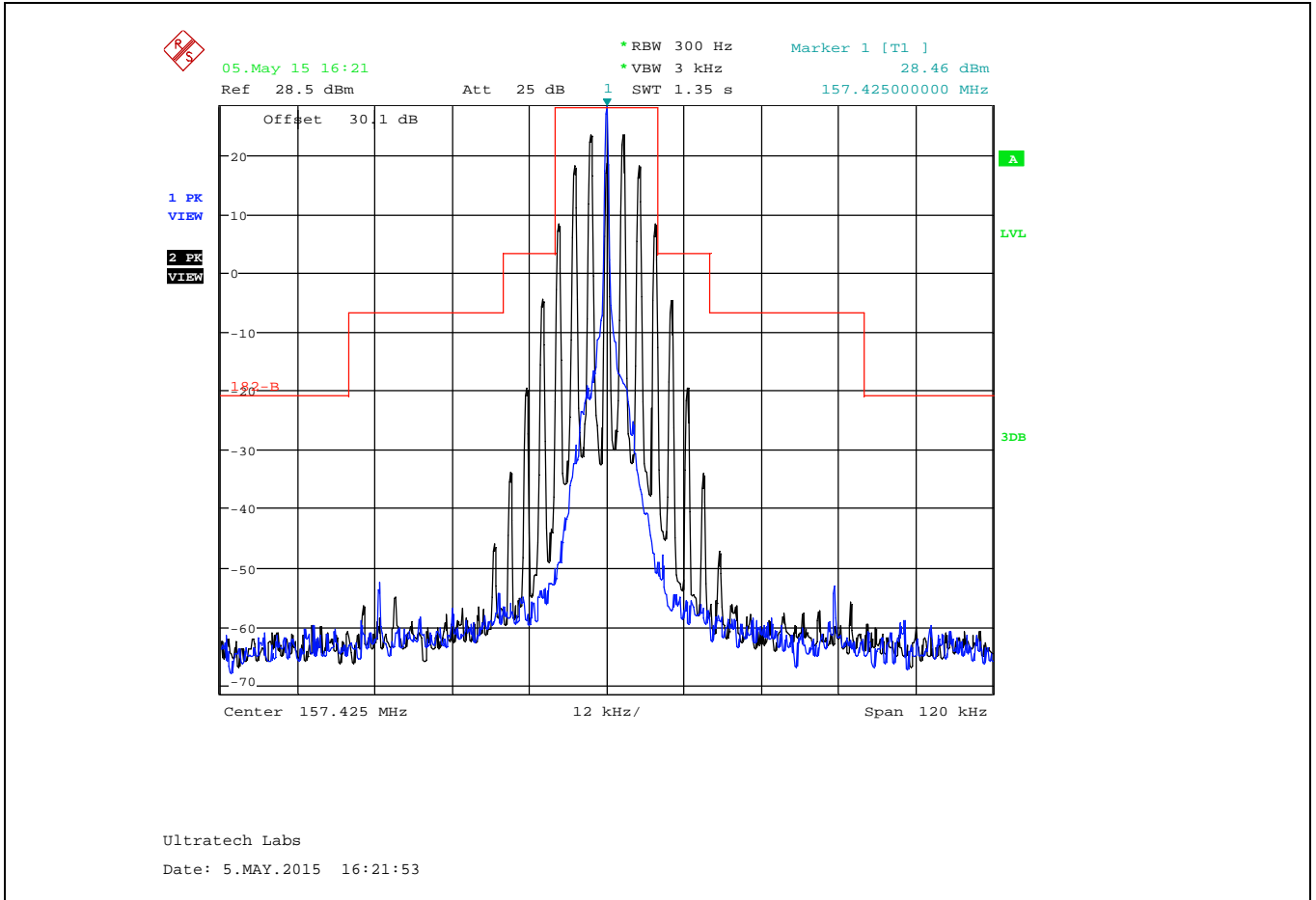


Plot 5.4.4.2.6. Emission Limitation for 157.425 MHz, 25 kHz Channel Spacing High Power (5 W), G3E, 42 kHz Span

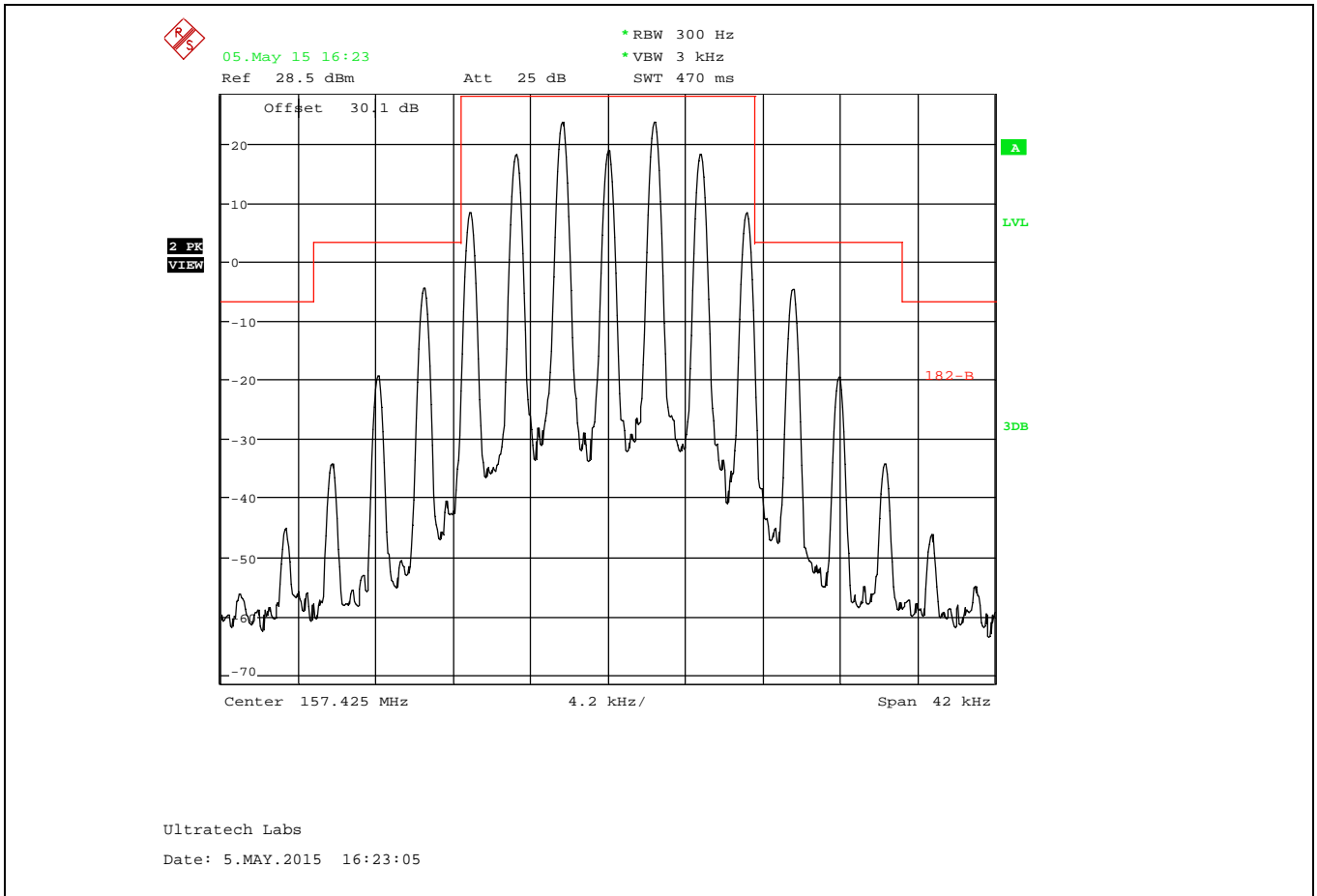




Plot 5.4.4.2.7. Emission Limitation for 157.425 MHz, 25 kHz Channel Spacing, Low Power (1 W), G3E, 120 kHz Span



Plot 5.4.4.2.8. Emission Limitation for 157.425 MHz, 25 kHz Channel Spacing, Low Power (1 W), G3E, 42 kHz Span



## 5.5. TRANSMITTER ANTENNA POWER SPURIOUS/HARMONIC CONDUCTED EMISSIONS [§ 80.211(f)(3)]

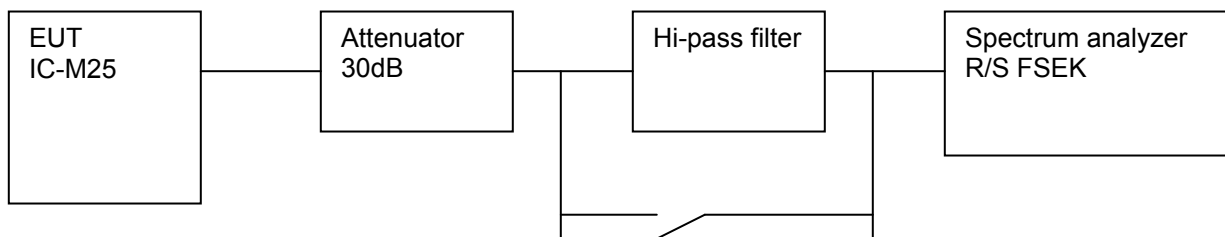
### 5.5.1. Limits

§ 80.211 (f)(3) On any frequency removed from the assigned frequency by more than 250 percent of the authorized bandwidth: At least 43 plus  $10\log_{10}$  (mean power in watts) dB.

### 5.5.2. Method of Measurements

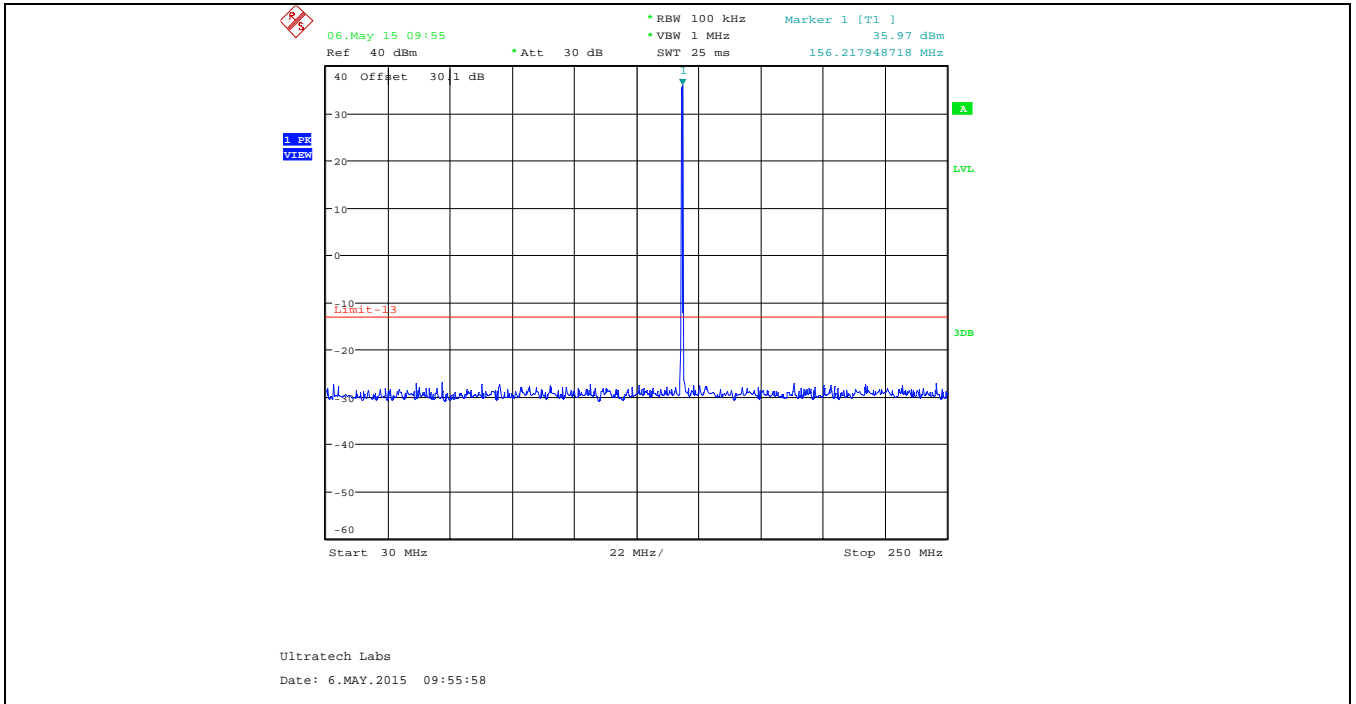
Refer to Section 8.5 of this report for measurement details

### 5.5.3. Test Arrangement

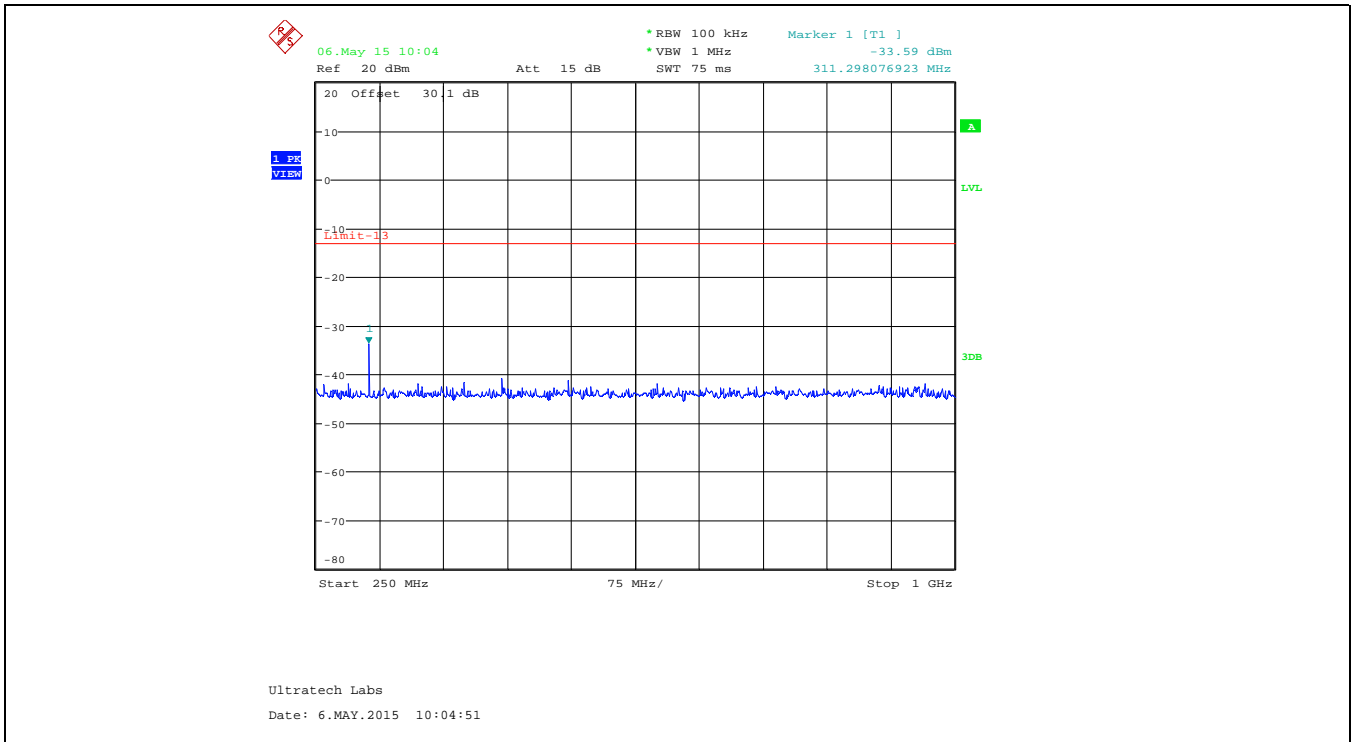


### 5.5.4. Test Data

Plot 5.5.4.1. Spurious Emissions at Antenna Terminals, 156.050 MHz, 25 kHz Channel Spacing, 5 W, 30 MHz - 250 MHz



Plot 5.5.4.2. Spurious Emissions at Antenna Terminals, 156.050 MHz, 25 kHz Channel Spacing, 5 W, 250 MHz - 1 GHz



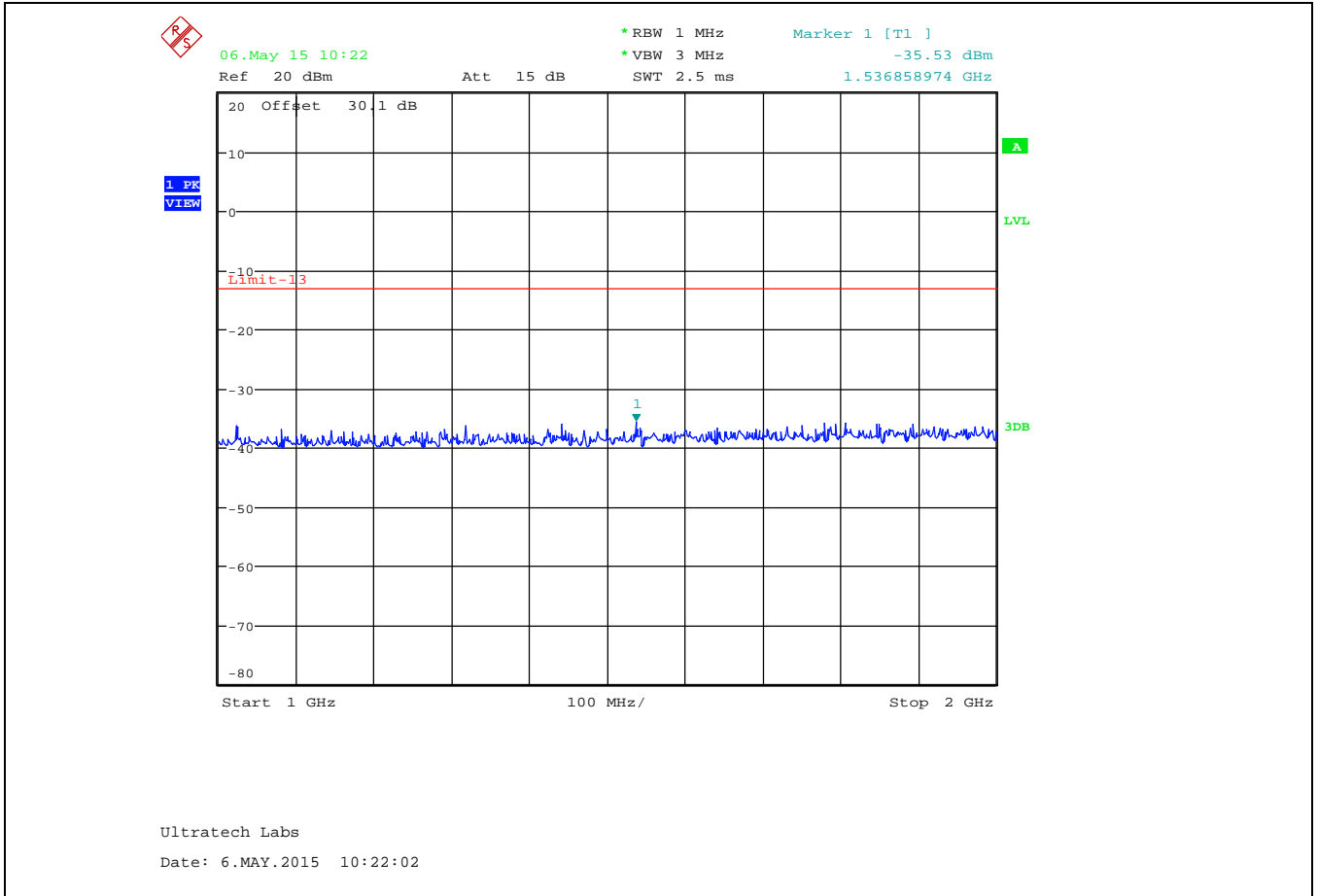
### ULTRATECH GROUP OF LABS

3000 Bristol Circle, Oakville, Ontario, Canada L6H 6G4  
Tel. #: 905-829-1570, Fax. #: 905-829-8050, Email: [vic@ultratech-labs.com](mailto:vic@ultratech-labs.com), Website: <http://www.ultratech-labs.com>

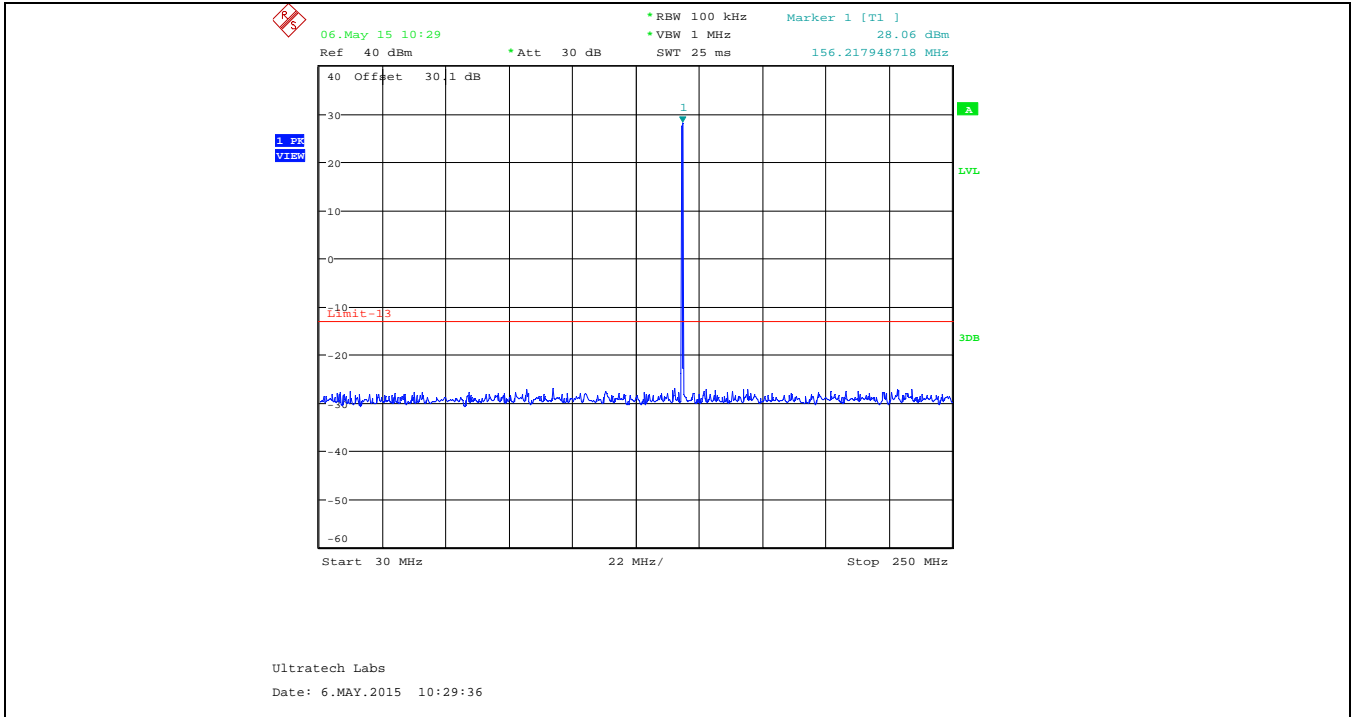
File #: 15ICOM406\_FCC80  
May 14, 2015

All test results contained in this engineering test report are traceable to National Institute of Standards and Technology (NIST)

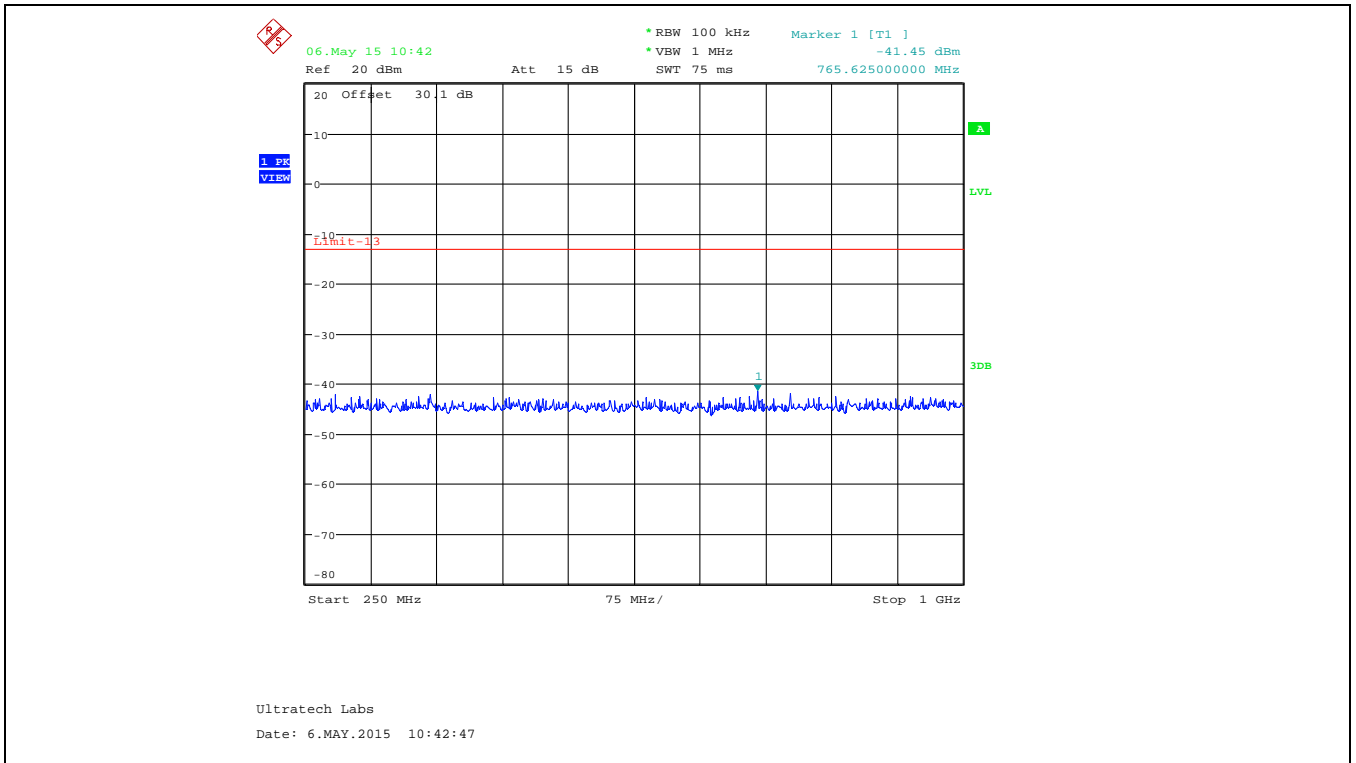
Plot 5.5.4.3. Spurious Emissions at Antenna Terminals, 156.050 MHz, 25 kHz Channel Spacing, 5 W, 1 GHz - 2 GHz



Plot 5.5.4.4. Spurious Emissions at Antenna Terminals, 156.050 MHz, 25 kHz Channel Spacing, 1 W, 30 MHz - 250 MHz



Plot 5.5.4.5. Spurious Emissions at Antenna Terminals, 156.050 MHz, 25 kHz Channel Spacing, 1 W, 250 MHz - 1 GHz



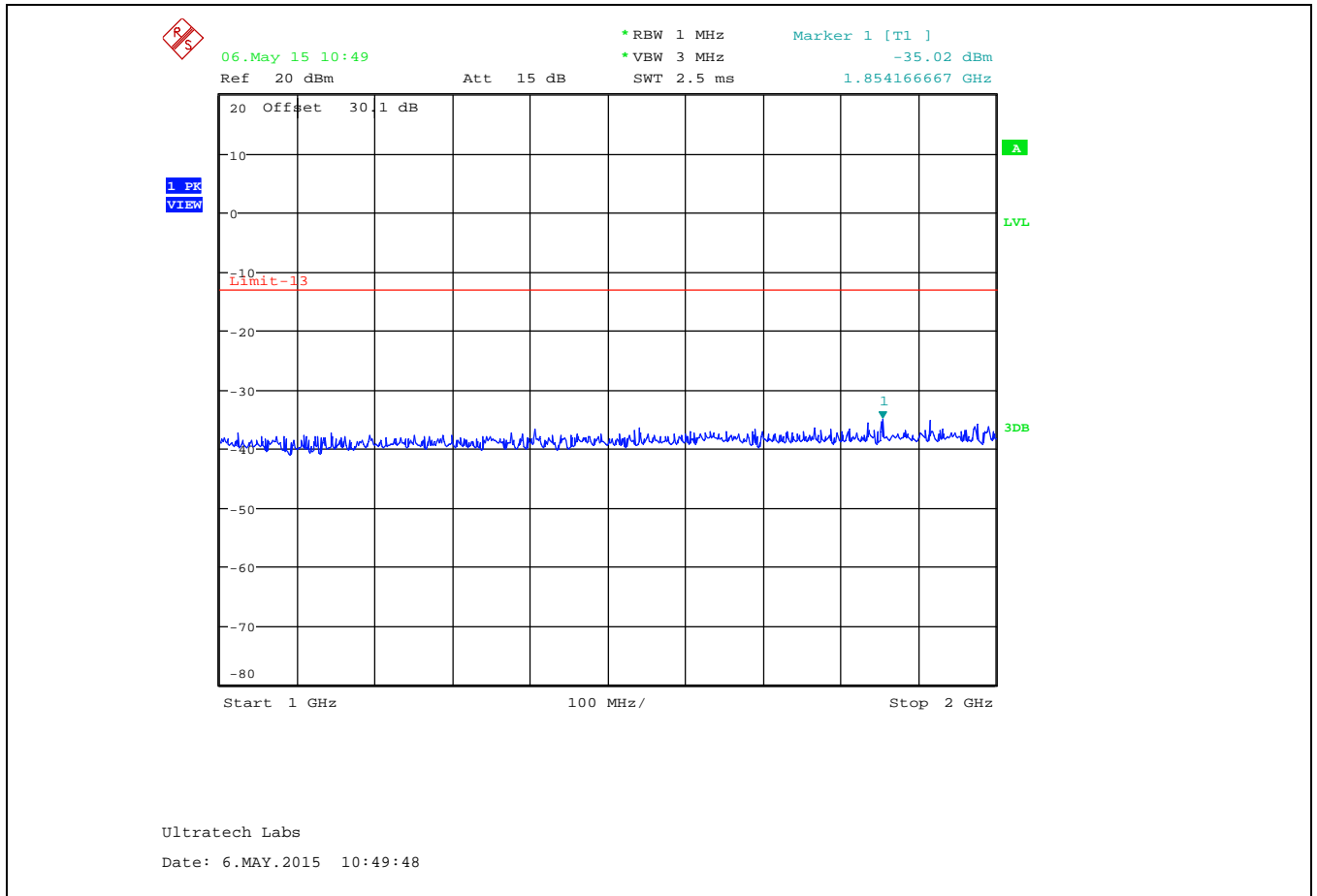
**ULTRATECH GROUP OF LABS**

3000 Bristol Circle, Oakville, Ontario, Canada L6H 6G4  
Tel. #: 905-829-1570, Fax. #: 905-829-8050, Email: [vic@ultratech-labs.com](mailto:vic@ultratech-labs.com), Website: <http://www.ultratech-labs.com>

File #: 15ICOM406\_FCC80  
May 14, 2015

All test results contained in this engineering test report are traceable to National Institute of Standards and Technology (NIST)

Plot 5.5.4.6. Spurious Emissions at Antenna Terminals, 156.050 MHz, 25 kHz Channel Spacing, 1 W, 1 GHz - 2 GHz



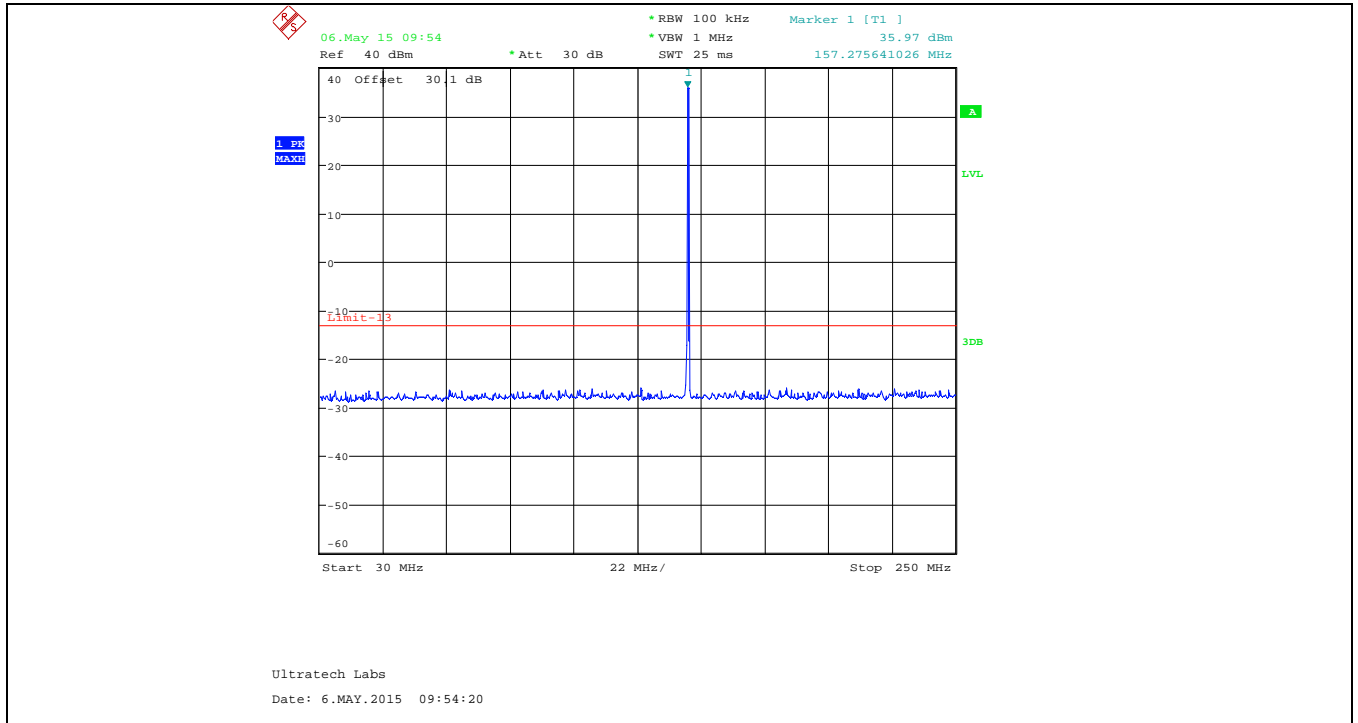
**ULTRATECH GROUP OF LABS**

3000 Bristol Circle, Oakville, Ontario, Canada L6H 6G4  
Tel. #: 905-829-1570, Fax. #: 905-829-8050, Email: [vic@ultratech-labs.com](mailto:vic@ultratech-labs.com), Website: <http://www.ultratech-labs.com>

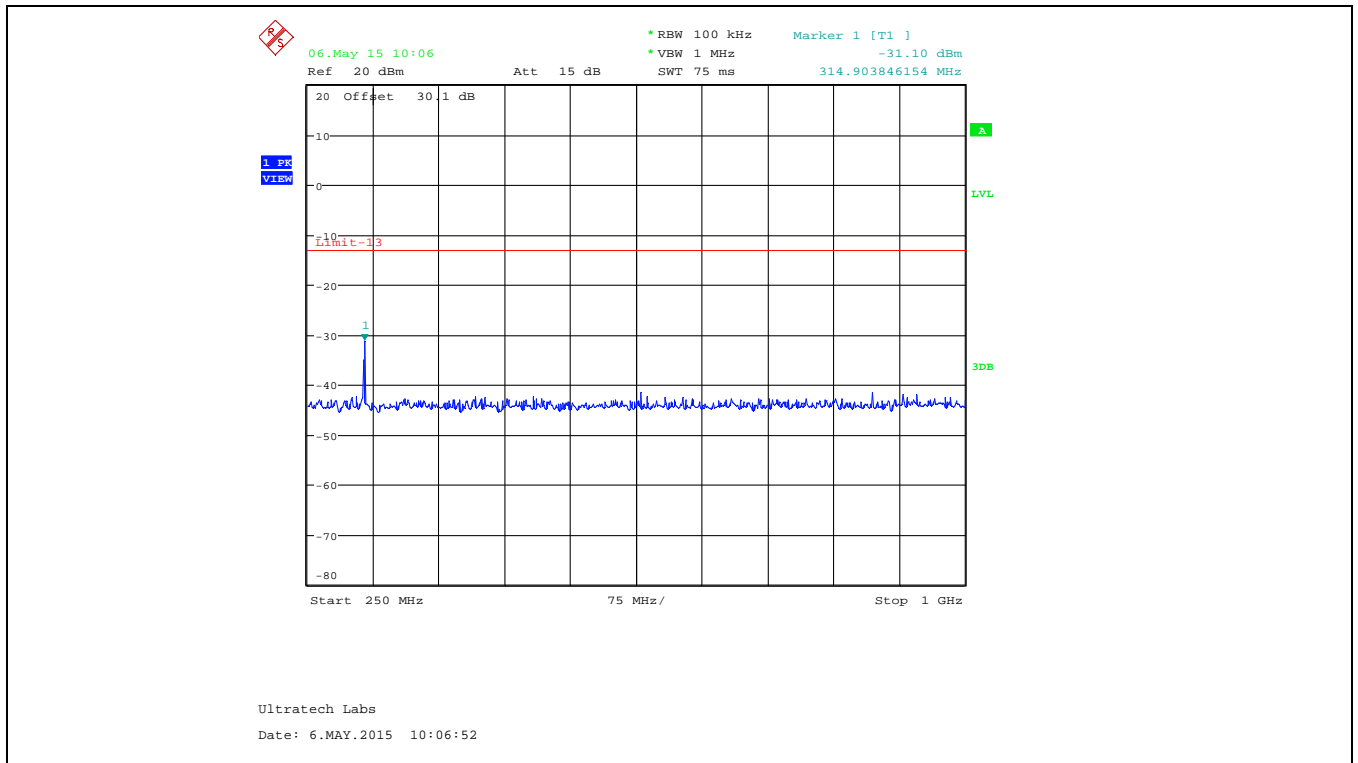
File #: 15ICOM406\_FCC80  
May 14, 2015

All test results contained in this engineering test report are traceable to National Institute of Standards and Technology (NIST)

Plot 5.5.4.7. Spurious Emissions at Antenna Terminals, 157.425 MHz, 25 kHz Channel Spacing, 5 W, 30 MHz - 250 MHz



Plot 5.5.4.8. Spurious Emissions at Antenna Terminals, 157.425 MHz, 25 kHz Channel Spacing, 5 W, 250 MHz - 1 GHz



**ULTRATECH GROUP OF LABS**

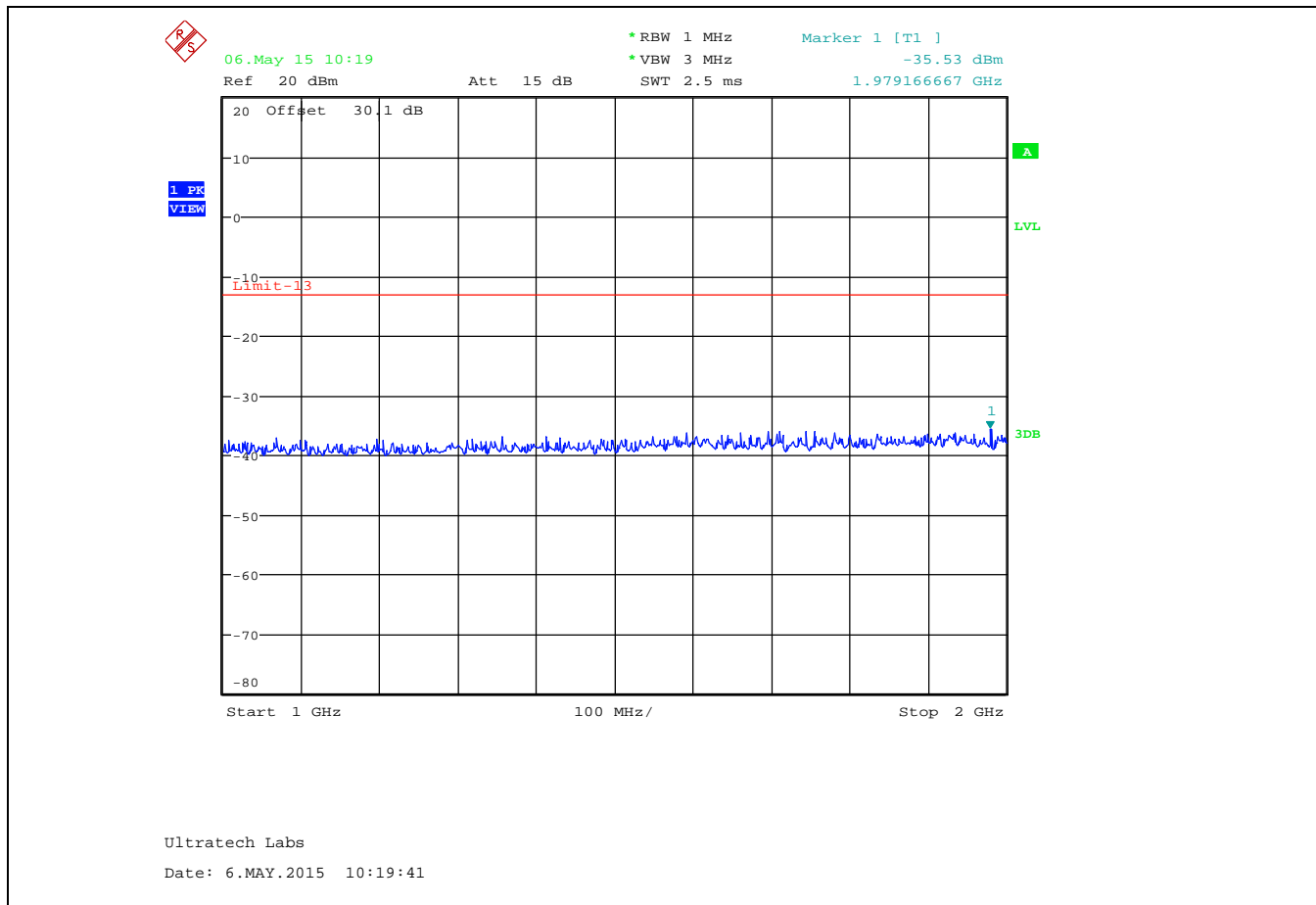
3000 Bristol Circle, Oakville, Ontario, Canada L6H 6G4  
Tel. #: 905-829-1570, Fax. #: 905-829-8050, Email: [vic@ultratech-labs.com](mailto:vic@ultratech-labs.com), Website: <http://www.ultratech-labs.com>

File #: 15ICOM406\_FCC80  
May 14, 2015

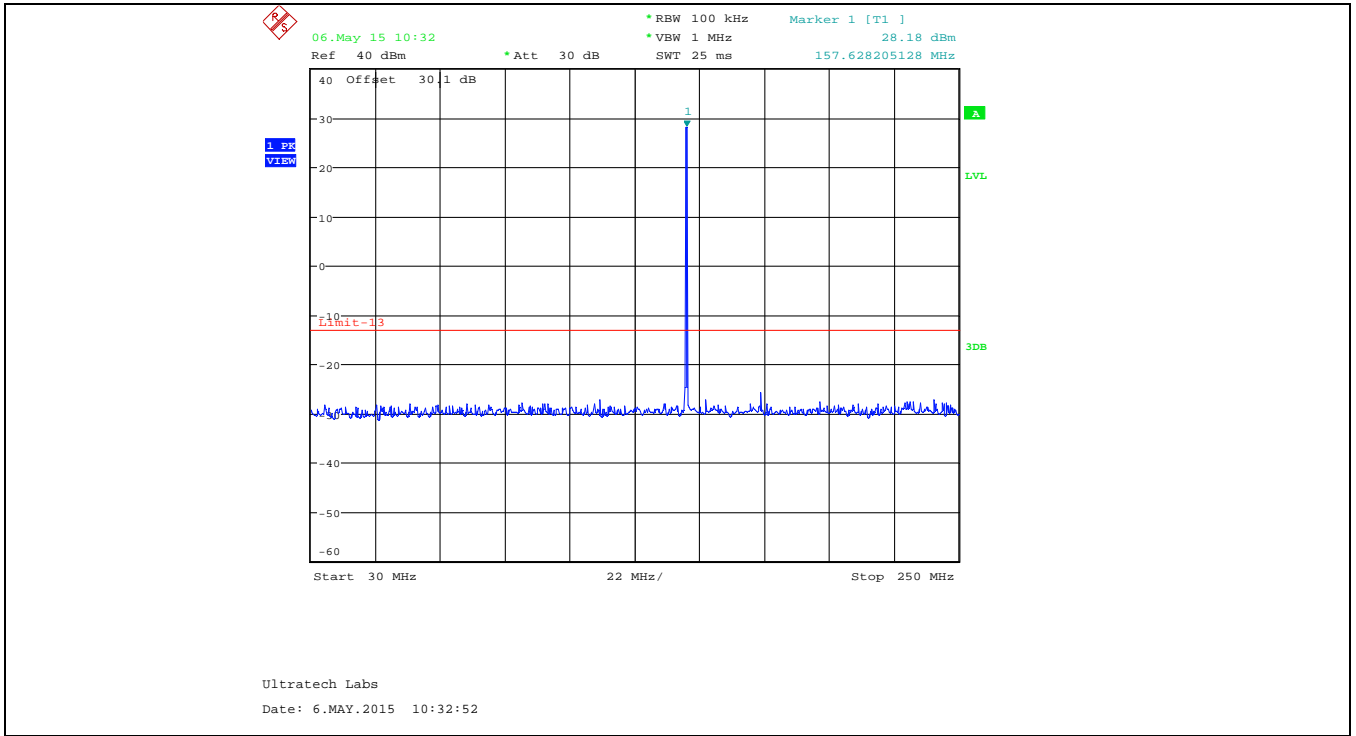
All test results contained in this engineering test report are traceable to National Institute of Standards and Technology (NIST)



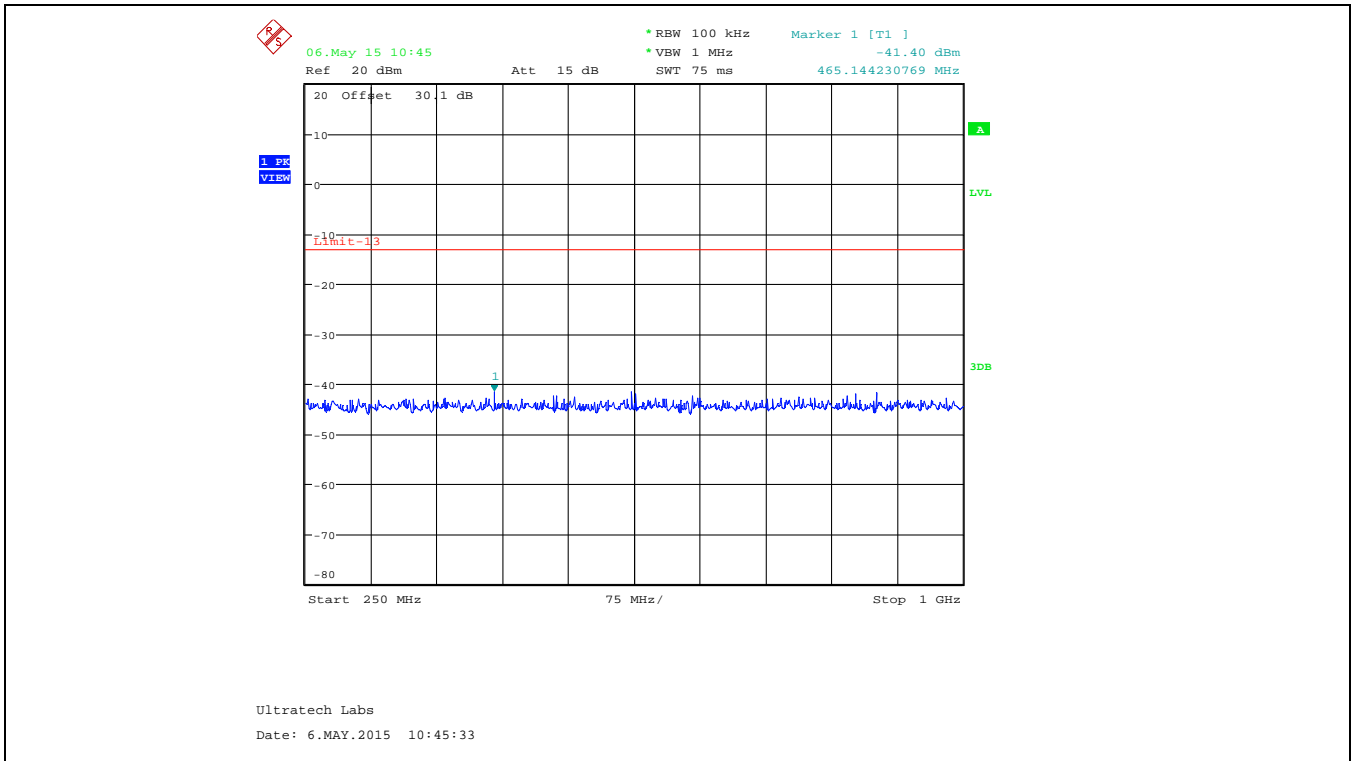
Plot 5.5.4.9. Spurious Emissions at Antenna Terminals, 157.425 MHz, 25 kHz Channel Spacing, 5 W, 1 GHz - 2 GHz



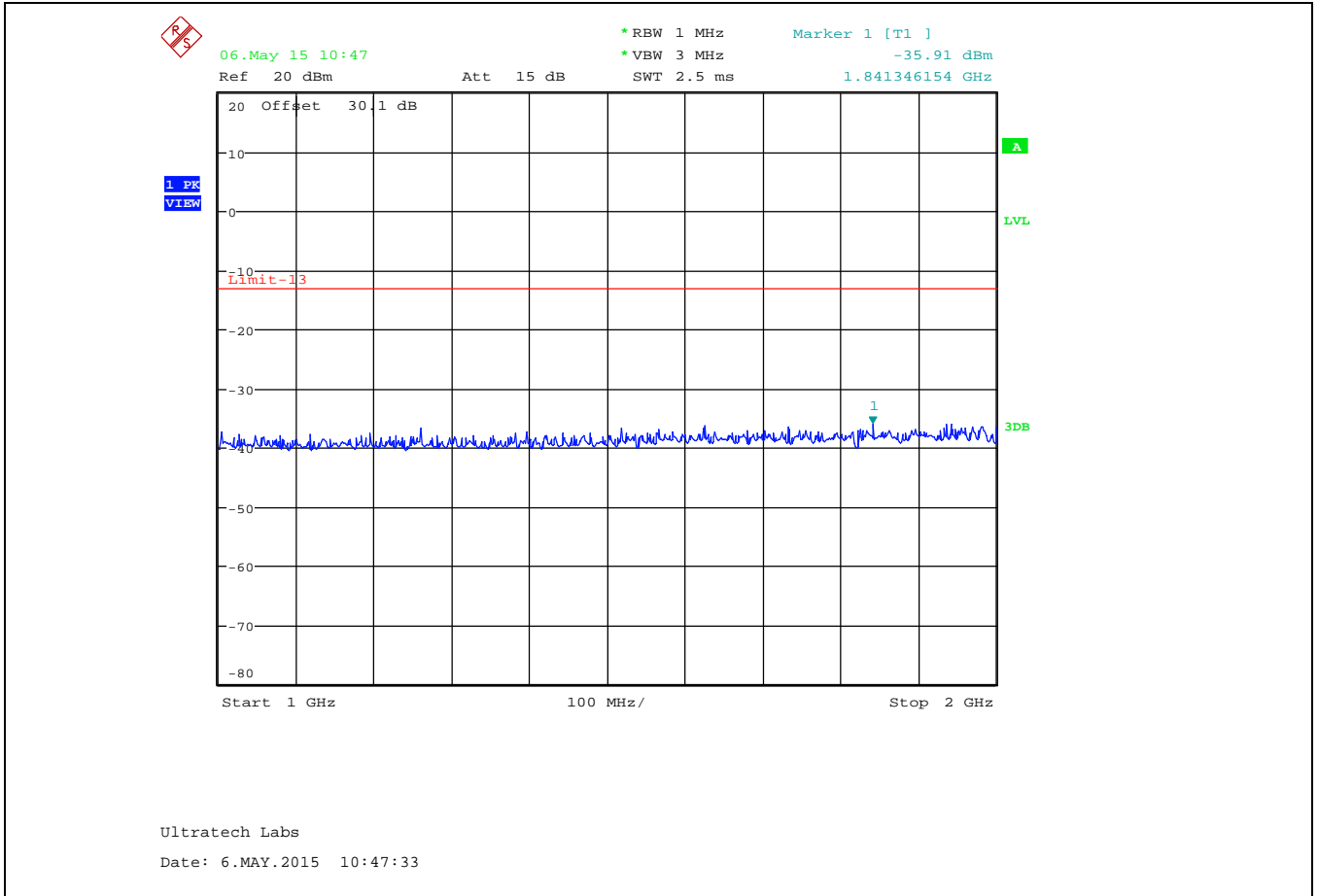
Plot 5.5.4.10. Spurious Emissions at Antenna Terminals, 157.425 MHz, 25 kHz Channel Spacing, 1 W, 30 MHz - 250 MHz



Plot 5.5.4.11. Spurious Emissions at Antenna Terminals, 157.425 MHz, 25 kHz Channel Spacing, 1 W, 250 MHz - 1 GHz



Plot 5.5.4.12. Spurious Emissions at Antenna Terminals, 157.425 MHz, 25 kHz Channel Spacing, 1 W, 1 GHz - 2 GHz



## 5.6. TRANSMITTER SPURIOUS/HARMONIC RADIATED EMISSIONS [§ 80.211(f)(3)]

### 5.6.1. Limits

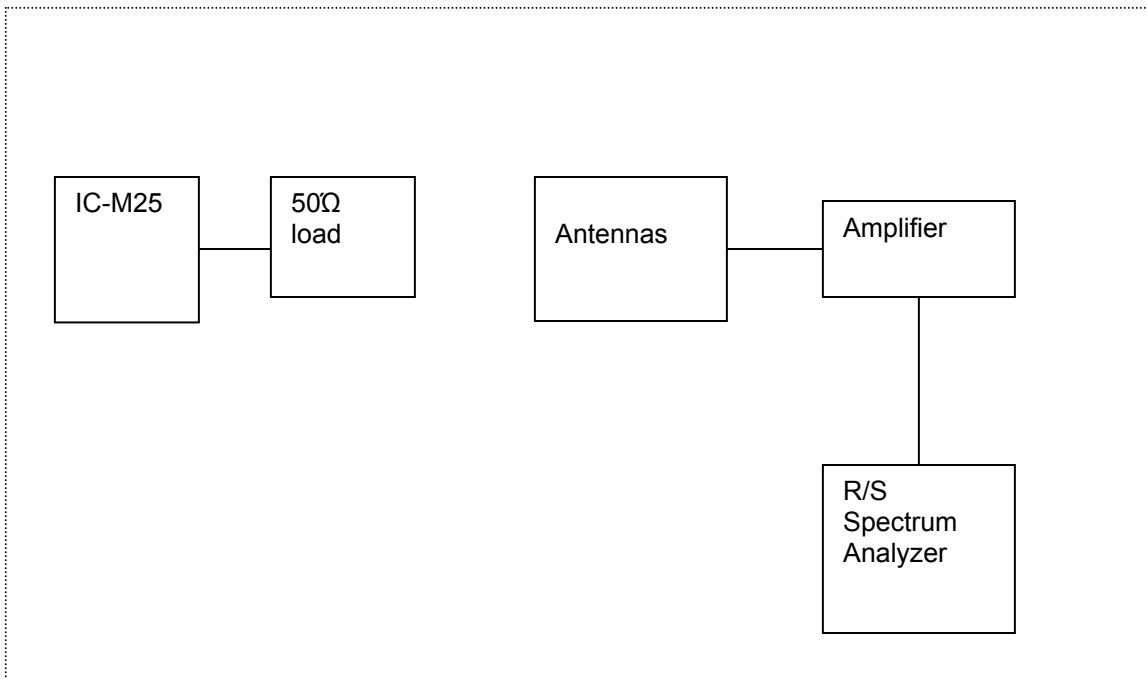
§ 80.211 (f)(3) On any frequency removed from the assigned frequency by more than 250 percent of the authorized bandwidth: At least 43 plus  $10\log_{10}$  (mean power in watts) dB.

### 5.6.2. Method of Measurements

The spurious/harmonic ERP measurements are using substitution method specified in 8.2 of this report and its value in dBc is calculated as follows:

- (1) If the transmitter's antenna is an integral part of the EUT, the ERP is measured using substitution method.
- (2) If the transmitter's antenna is non-integral and diverse, the lowest ERP of the carrier with 0 dBi antenna gain is used for calculation of the spurious/harmonic emissions in dBc:  
Lowest ERP of the carrier =  $EIRP - 2.15 \text{ dB} = P_c + G - 2.15 \text{ dB} = P_c \text{ dBm (conducted)} + 0 \text{ dBi} - 2.15 \text{ dB}$

### 5.6.3. Test Arrangement



5.6.4. Test Data

Remarks:

- The radiated emissions were performed with high power setting (5 W) and 25 kHz channel spacing at 3 m distance to represents the worst-case test configuration.
- The emissions were scanned from 30 MHz to 2 GHz; all significant emissions were recorded.

<b>Carrier Frequency:</b>		156.050 MHz				
<b>Power:</b>		4.68 W				
<b>Limit:</b>		-13 dBm				
Frequency (MHz)	E-Field (dBµV/m)	EMI Detector (Peak/QP)	Antenna Polarization (H/V)	ERP (dBm)	Limit (dBm)	Margin (dB)
30 - 2000	*	Peak	H/V	*	-13	*

\* All harmonics and spurious emissions are more than 20 dB below the specified attenuation limit.

<b>Carrier Frequency:</b>		157.425 MHz				
<b>Power:</b>		4.61 W				
<b>Limit:</b>		-13 dBm				
Frequency (MHz)	E-Field (dBµV/m)	EMI Detector (Peak/QP)	Antenna Polarization (H/V)	ERP (dBm)	Limit (dBm)	Margin (dB)
30 - 2000	*	Peak	H/V	*	-13	*

\* All harmonics and spurious emissions are more than 20 dB below the specified attenuation limit.

**5.7. FREQUENCY STABILITY [§§ 2.1055 & 80.209]**

**5.7.1. Limits**

Frequency Band	Coast Stations		Ship Stations
	Below 3 W	3 to 100 W	
156–162 MHz	10 ppm	<sup>1</sup> 5 ppm	<sup>2</sup> 10 ppm

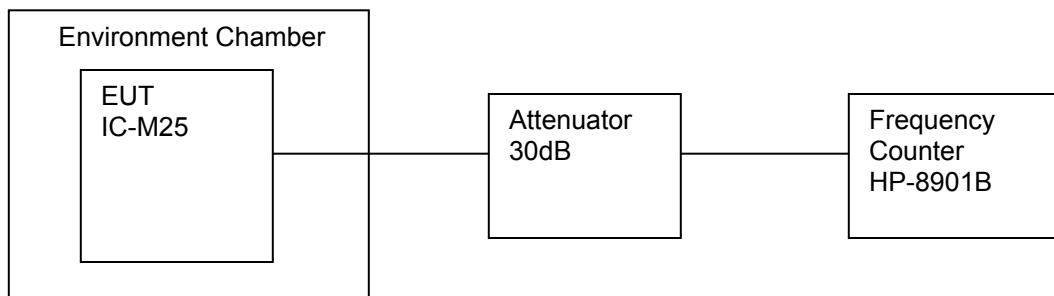
<sup>1</sup> For transmitters operated at private coast stations with antenna heights less than 6 meters (20 feet) above ground and output power of 26 Watts or less the frequency tolerance is 10 parts in 10<sup>6</sup>.

<sup>2</sup> For transmitters in the radiolocation and associated telecommand service operating on 154.585 MHz, 159.480 MHz, 160.725 MHz and 160.785 MHz the frequency tolerance is 15 parts in 10<sup>6</sup>.

**5.7.2. Method of Measurements**

Refer to Section 8.3 of this report for measurement details

**5.7.3. Test Arrangement**



5.7.4. Test Data

<b>Center Frequency:</b>		156.05 MHz	
<b>Full Power Level:</b>		36.7 dBm	
<b>Frequency Tolerance Limit (Worst Case):</b>		±10 ppm or 1560 Hz	
<b>Max. Frequency Tolerance Measured:</b>		-465 Hz or 3 ppm	
<b>Input Voltage Rating:</b>		3.7 VDC	
<b>Ambient Temperature (°C)</b>	<b>Frequency Drift (Hz)</b>		
	<b>Supply Voltage (Nominal) 7.4 Volts</b>	<b>Supply Voltage (Minimum before switch-off) 6.3 Volts</b>	<b>Supply Voltage (115% of Nominal) 8.5 Volts</b>
-20	-465	--	--
-10	-457	--	--
0	-366	--	--
+10	-122	--	--
+20	38	-54	40
+30	-74	--	--
+40	-136	--	--
+50	-94	--	--
+60	-37	--	--

**EXHIBIT 6. TEST EQUIPMENT LIST**

Test Instruments	Manufacturer	Model No.	Serial No.	Frequency Range	Cal. Due Date
Spectrum Analyzer	R/S	FSP	100646	9 KHz – 7 GHz	06-Oct-15
Attenuator (30dB)	Aeroflex/Weinschel	46-30-34	BR9127	DC-18 GHz	Cal. on use
High Pass Filter	Mini Circuit	SHP 200	--	Cut off 230 MHz	Cal. on use
Power Meter	Hewlett Packard	436A	2016A07747	100K--50G sensor dependent	08-Mar-16
Power Sensor	Hewlett Packard	8481A	2237A33409	0.1 - 18 GHz	05-Mar-16
Modulation Analyzer	Hewlett Packard	8901B	3226A04606	150KHz-1300MHz	29-Jan-16
Combiner	Mini Circuit	ZFSC-3-4	15542	1MHz - 1GHz	Cal. on use
RF Detector	Pasternack	PE8000-50	--	10M--1G Hz	Cal. on use
Infinium Digital Oscilloscope	Hewlett-Packard	54801A	US38380192	DC--500M Hz 1G sampling	16-Jun-15
Environmental Chamber	Envirotronics	SSH32C	11994847-S-11059	-60 to 177 degree C	01-May-15*
Thermometer Data-logger (Temp Sensor)	Extech Instruments	Easy-View 15	030400781	-150 °C to 1200 °C	27-Jun-15*
RF Synthesized signal Generator	HP	8648C	3343U00391	100K-3200M Hz AM/ FM/ PM	02-Feb-17
Power supply	Tenma	72-7295	490300297	1-40V DC 5A	Cal. on use
FFT Digital Spectrum Analyzer	Advantest	R9211E	8202336	10mHz - 100KHz	27-Jan-16
RF Communication Test Set	Hewlett Packard	8920B	US39064699	30MHz – 1 GHz	30-Jan-17
Horn antenna	ETS-LINDGREN	3115	9701-5061	1 – 18 GHz	12-Dec-15
Preamplifier	Hewlett Packard	8449B	3008A00769	1 - 26.5 GHz	06-Aug-15
High Pass Filter	Mini Circuit	SHP 600	--	Cut off 560 MHz	Cal. on use
Power Supply	XANTREX	XKW 60-50	26509	0-60V 0-50A DC	Cal. on use
High Pass Filter	Mini Circuit	SHP 800	--	Cut off 750 MHz	Cal. on use
Attenuator	Aeroflex/Weinschel	23-20-34	BH7876	DC-18 GHz	Cal. on use
Antenna	ETS	93148	1101	200-2000 MHz	14-Jul-15
Attenuator	Aeroflex/Weinschel	24-20-34	BJ2364	DC-18 GHz	Cal. on use
Frequency counter	EIP	545A	2683	10Hz-18 GHz	24-Apr-16
Biconical Antenna	ETS	3110B	3379	20-200MHz	11-Sep-15
Preamplifier	Com-power	PA-118A	551016	500MHz-18GHz	06-Jan-16
Tunable Band-reject Filter	K & L	3TFNF-30/76-N-N	36	28-300MHz	Cal. on use

Note: \*Environmental Chamber temperature verified with a calibrated sensor throughout testing.

**ULTRATECH GROUP OF LABS**

3000 Bristol Circle, Oakville, Ontario, Canada L6H 6G4  
Tel. #: 905-829-1570, Fax. #: 905-829-8050, Email: [vic@ultratech-labs.com](mailto:vic@ultratech-labs.com), Website: <http://www.ultratech-labs.com>

File #: 15ICOM406\_FCC80  
May 14, 2015

All test results contained in this engineering test report are traceable to National Institute of Standards and Technology (NIST)



## EXHIBIT 7. MEASUREMENT UNCERTAINTY

The measurement uncertainties stated were calculated in accordance with the requirements of CISPR 16-4-2 @ IEC:2003 and JCGM 100:2008 (GUM 1995) – Guide to the Expression of Uncertainty in Measurement.

### 7.1. LINE CONDUCTED EMISSION MEASUREMENT UNCERTAINTY

	Line Conducted Emission Measurement Uncertainty (150 kHz – 30 MHz):	Measured	Limit
<b>u<sub>c</sub></b>	<b>Combined standard uncertainty:</b> $u_c(y) = \sqrt{\sum_{i=1}^m u_i^2(y)}$	<b>± 1.57</b>	<b>± 1.8</b>
<b>U</b>	<b>Expanded uncertainty U:</b> $U = 2u_c(y)$	<b>± 3.14</b>	<b>± 3.6</b>

### 7.2. RADIATED EMISSION MEASUREMENT UNCERTAINTY

	Radiated Emission Measurement Uncertainty @ 3m, Horizontal (30-1000 MHz):	Measured	Limit
<b>u<sub>c</sub></b>	<b>Combined standard uncertainty:</b> $u_c(y) = \sqrt{\sum_{i=1}^m u_i^2(y)}$	<b>± 2.15</b>	<b>± 2.6</b>
<b>U</b>	<b>Expanded uncertainty U:</b> $U = 2u_c(y)$	<b>± 4.30</b>	<b>± 5.2</b>

	Radiated Emission Measurement Uncertainty @ 3m, Vertical (30-1000 MHz):	Measured	Limit
<b>u<sub>c</sub></b>	<b>Combined standard uncertainty:</b> $u_c(y) = \sqrt{\sum_{i=1}^m u_i^2(y)}$	<b>± 2.39</b>	<b>± 2.6</b>
<b>U</b>	<b>Expanded uncertainty U:</b> $U = 2u_c(y)$	<b>± 4.78</b>	<b>± 5.2</b>

	Radiated Emission Measurement Uncertainty @ 3 m, Horizontal & Vertical (1 – 18 GHz):	Measured	Limit
<b>u<sub>c</sub></b>	<b>Combined standard uncertainty:</b> $u_c(y) = \sqrt{\sum_{i=1}^m u_i^2(y)}$	<b>± 1.87</b>	<b>Under consideration</b>
<b>U</b>	<b>Expanded uncertainty U:</b> $U = 2u_c(y)$	<b>± 3.75</b>	<b>Under consideration</b>

## EXHIBIT 8. MEASUREMENT METHODS

### 8.1. CONDUCTED POWER MEASUREMENTS

The following shall be applied to the combination(s) of the radio device and its intended antenna(e).

- If the RF level is user adjustable, all measurements shall be made with the highest power level available to the user for that combination.
- The following method of measurement shall apply to both conducted and radiated measurements.
  - The radiated measurements are performed at the Ultratech Calibrated Open Field Test Site.
  - The measurement shall be performed using normal operation of the equipment with modulation.
- Test procedure shall be as follows:

**Step 1:** Duty Cycle measurements if the transmitter's transmission is transient

- Using a EMI Receiver with the frequency span set to 0 Hz and the sweep time set at a suitable value to capture the envelope peaks and the duty cycle of the transmitter output signal;
- The duty cycle of the transmitter,  $x = \text{Tx on} / (\text{Tx on} + \text{Tx off})$  with  $0 < x < 1$ , is measure and recorded in the test report. For the purpose of testing, the equipment shall be operated with a duty cycle that is equal or more than 0.1.

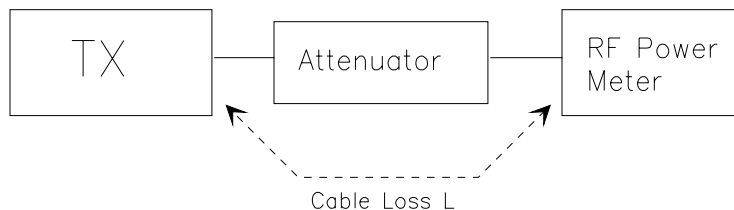
**Step 2:** Calculation of Average EIRP. See Figure 1

- The average output power of the transmitter shall be determined using a wideband, calibrated RF average power meter with the power sensor with an integration period that exceeds the repetition period of the transmitter by a factor 5 or more. The observed value shall be recorded as "A" (in dBm);
- The e.i.r.p. shall be calculated from the above measured power output "A", the observed duty cycle  $x$ , and the applicable antenna assembly gain "G" in dBi, according to the formula:

$$\text{EIRP} = \text{A} + \text{G} + 10\log(1/x)$$

{  $X = 1$  for continuous transmission  $\Rightarrow 10\log(1/x) = 0 \text{ dB}$  }

**Figure 1.**



## 8.2. RADIATED POWER MEASUREMENTS (ERP & EIRP) USING SUBSTITUTION METHOD

### 8.2.1. Maximizing RF Emission Level (E-Field)

- (a) The measurements was performed with full rf output power and modulation.
- (b) Test was performed at listed 3m open area test site (listed with FCC, IC, ITI, NVLAP, ACA & VCCI).
- (c) The transmitter under test was placed at the specified height on a non-conducting turntable (80 cm height)
- (d) The BICONILOG antenna (20 MHz to 1 GHz) or HORN antenna (1 GHz to 18 GHz) was used for measuring.
- (e) Load an appropriate correction factors file in EMI Receiver for correcting the field strength reading level

Total Correction Factor recorded in the EMI Receiver = Cable Loss + Antenna Factor  
 $E \text{ (dBuV/m)} = \text{Reading (dBuV)} + \text{Total Correction Factor (dB/m)}$

- (f) Set the EMI Receiver and #2 as follows:

Center Frequency: test frequency  
Resolution BW: 100 kHz  
Video BW: same  
Detector Mode: positive  
Average: off  
Span: 3 x the signal bandwidth

- (g) The test antenna was lowered or raised from 1 to 4 meters until the maximum signal level was detected.
- (h) The transmitter was rotated through  $360^\circ$  about a vertical axis until a higher maximum signal was received.
- (i) The test antenna was lowered or raised again from 1 to 4 meters until a maximum was obtained. This level was recorded.
- (j) The recorded reading was corrected to the true field strength level by adding the antenna factor, cable loss and subtracting the pre-amplifier gain.
- (k) The above steps were repeated with both transmitters' antenna and test receiving antenna placed in vertical and horizontal polarization. Both readings with the antennas placed in vertical and horizontal polarization shall be recorded.
- (l) Repeat for all different test signal frequencies

### 8.2.2. Measuring the EIRP of Spurious/Harmonic Emissions using Substitution Method

(a) Set the EMI Receiver (for measuring E-Field) and Receiver #2 (for measuring EIRP) as follows:

Center Frequency: equal to the signal source  
Resolution BW: 100 kHz  
Video BW: VBW > RBW  
Detector Mode: positive  
Average: off  
Span: 3 x the signal bandwidth

(b) Load an appropriate correction factors file in EMI Receiver for correcting the field strength reading level

Total Correction Factor recorded in the EMI Receiver = Cable Loss + Antenna Factor  
 $E \text{ (dBuV/m)} = \text{Reading (dBuV)} + \text{Total Correction Factor (dB/m)}$

(c) Select the frequency and E-field levels obtained in the Section 8.2.1 for ERP/EIRP measurements.

(d) Substitute the EUT by a signal generator and one of the following transmitting antenna (substitution antenna):

- ◆ DIPOLE antenna for frequency from 30-1000 MHz or
- ◆ HORN antenna for frequency above 1 GHz }  
(e) Mount the transmitting antenna at 1.5 meter high from the ground plane.

(f) Use one of the following antenna as a receiving antenna:

- ◆ DIPOLE antenna for frequency from 30-1000 MHz or
- ◆ HORN antenna for frequency above 1 GHz }

(g) If the DIPOLE antenna is used, tune it's elements to the frequency as specified in the calibration manual.

(h) Adjust both transmitting and receiving antenna in a VERTICAL polarization.

(i) Tune the EMI Receivers to the test frequency.

(j) Lower or raise the test antenna from 1 to 4 meters until the maximum signal level was detected.

(k) The transmitter was rotated through 360° about a vertical axis until a higher maximum signal was received.

(l) Lower or raise the test antenna from 1 to 4 meters until the maximum signal level was detected.

(m) Adjust input signal to the substitution antenna until an equal or a known related level to that detected from the transmitter was obtained in the test receiver.

(n) Record the power level read from the Average Power Meter and calculate the ERP/EIRP as follows:

$$P = P1 - L1 = (P2 + L2) - L1 = P3 + A + L2 - L1$$

$$\text{EIRP} = P + G1 = P3 + L2 - L1 + A + G1$$

$$\text{ERP} = \text{EIRP} - 2.15 \text{ dB}$$

$$\text{Total Correction factor in EMI Receiver \# 2} = L2 - L1 + G1$$

Where: P: Actual RF Power fed into the substitution antenna port after corrected.

P1: Power output from the signal generator

P2: Power measured at attenuator A input

P3: Power reading on the Average Power Meter

EIRP: EIRP after correction

ERP: ERP after correction

(o) Adjust both transmitting and receiving antenna in a HORIZONTAL polarization, then repeat step (k) to (o)

(p) Repeat step (d) to (o) for different test frequency

(q) Repeat steps (c) to (j) with the substitution antenna oriented in horizontal polarization.

(r) Actual gain of the EUT's antenna is the difference of the measured EIRP and measured RF power at the RF port. Correct the antenna gain if necessary.

Figure 2

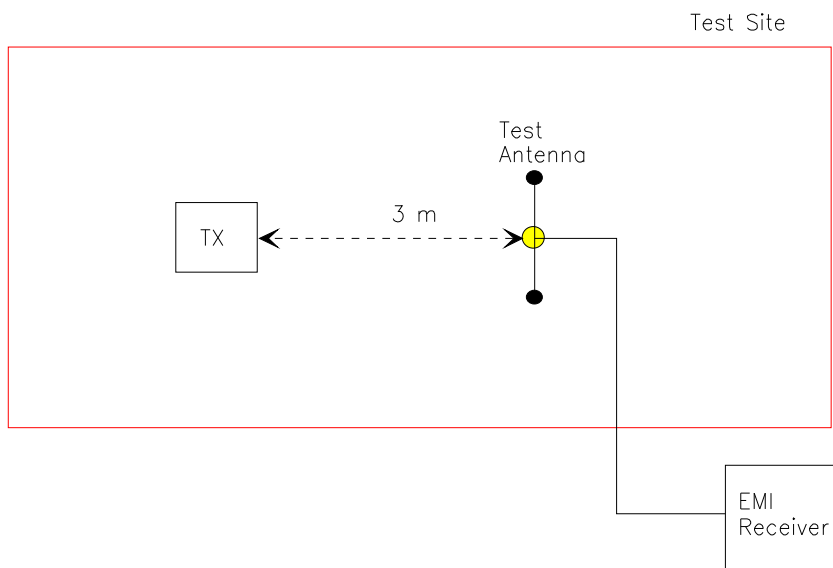
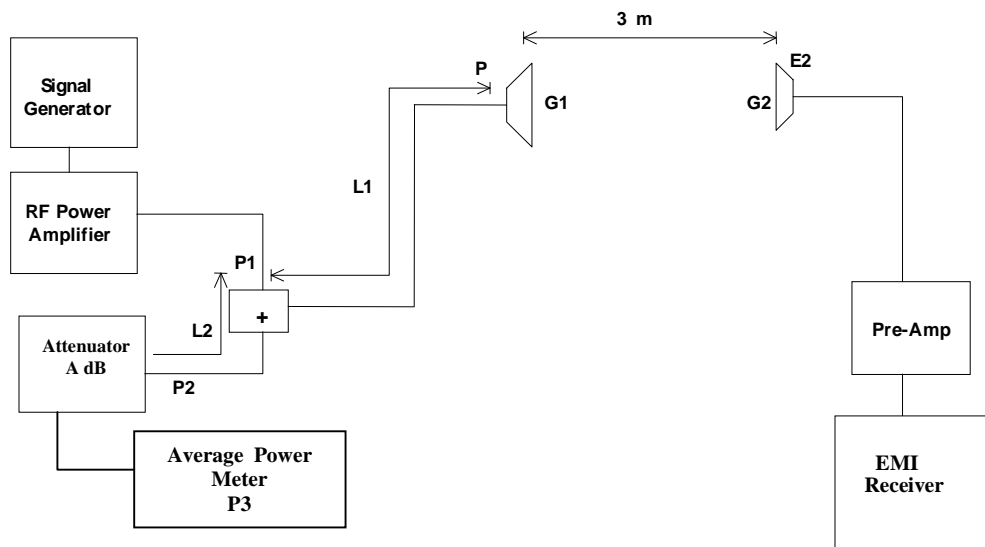


Figure 3



### 8.3. FREQUENCY STABILITY

Refer to § 2.1055.

- (a) The frequency stability shall be measured with variation of ambient temperature as follows: From -30 to +50 centigrade except that specified in subparagraph (2) & (3) of this paragraph.
- (b) Frequency measurements shall be made at extremes of the specified temperature range and at intervals of not more than 10 centigrade through the range. A period of time sufficient to stabilize all of the components of the oscillator circuit at each temperature level shall be allowed prior to frequency measurement. The short-term transient effects on the frequency of the transmitter due to keying (except for broadcast transmitters) and any heating element cycling normally occurring at each ambient temperature level also shall be shown. Only the portion or portions of the transmitter containing the frequency determining and stability circuitry need be subjected to the temperature variation test.
- (d) The frequency stability supply shall be measured with variation of primary supply voltage as follows:
  - (1) Vary primary supply voltage from 85 to 115 percent of the nominal value for other than hand carried battery equipment.
  - (2) For hand carried, battery powered equipment, reduce primary supply voltage to the battery operating end point which shall be specified by the manufacturer.
  - (3) The supply voltage shall be measured at the input to the cable normally provide with the equipment, or at the power supply terminals if cables are not normally provided. Effects on frequency of transmitter keying (except for broadcast transmitters) and any heating element cycling at the nominal supply voltage and at each extreme also shall be shown.
- (e) When deemed necessary, the Commission may require tests of frequency stability under conditions in addition to those specifically set out in paragraphs (a), (b), (c) and (d) of this section. (For example, measurements showing the effect of proximity to large metal objects, or of various types of antennas, may be required for portable equipment).

#### 8.4. EMISSION MASK

**Voice or Digital Modulation Through a Voice Input Port @ 2.1049(c)(i):**- The transmitter was modulated by a 2.5 KHz tone signal at an input level 16 dB greater than that required to produce 50% modulation (e.g.:  $\pm 2.5$  KHz peak deviation at 1 KHz modulating frequency). The input level was established at the frequency of maximum response of the audio modulating circuit.

**Digital Modulation Through a Data Input Port @ 2.1049(h):**- Transmitters employing digital modulation techniques - when modulated by an input signal such that its amplitude and symbol rate represent the maximum rated conditions under which the equipment will be operated. The signal shall be applied through any filter networks, pseudo-random generators or other devices required in normal service. Additionally, the Emission Masks shall be shown for operation with any devices used for modifying the spectrum when such devices are operational at the discretion of the user.

The following EMI Receiver bandwidth shall be used for measurement of Emission Mask/Out-of-Band Emission Measurements:

For 25 kHz Channel Spacing: RBW = 300 Hz  
For 12.5 kHz or 6.25 kHz Channel Spacings: RBW = 100 Hz

The all cases the Video Bandwidth shall be equal or greater than the measuring bandwidth.

#### 8.5. SPURIOUS EMISSIONS (CONDUCTED)

With transmitter modulation characteristics described in Out-of-Band Emissions measurements @ 2.1049, the transmitter spurious and harmonic emissions were scanned. The spurious and harmonic emissions were measured with the EMI Receiver controls set as RBW = 30 kHz minimum, VBW  $\geq$  RBW and SWEEP TIME = AUTO). The transmitter was operated at a full rated power output, and modulated as follows:

**FCC 47 CFR 2.1057 - Frequency Spectrum to be investigated:** The spectrum was investigated from the lowest radio generated in the equipment up to at least the 10<sup>th</sup> harmonic of the carrier frequency or to the highest frequency practicable in the present state of the art of measuring techniques, whichever is lower. Particular attention should be paid to harmonics and subharmonics of the carrier frequency. Radiation at the frequencies of multiplier stages should be checked. The amplitude of spurious emissions which are attenuated more than 20 dB below the permissible value need not be reported.

**FCC 47 CFR 2.1051 - Spurious Emissions at Antenna Terminal:** The radio frequency voltage or powers generated within the equipment and appearing on a spurious frequency shall be checked at the equipment output terminals when properly loaded with a suitable artificial antenna. Curves or equivalent data shall show the magnitude of the harmonic and other spurious emission that can be detected when the equipment is operated under the conditions specified in 2.1049 as appropriate. The magnitude of spurious emissions which are attenuated more than 20 dB below the permissible value need not be specified.