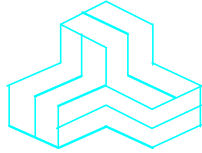


# ENGINEERING TEST REPORT



**UHF Mobile Transceiver**  
**Model No.: IC-F6121D**  
**FCC ID: AFJ333202**

*Applicant:*

**ICOM Incorporated**  
1-1-32, Kamiminami,  
Hirano-ku, Osaka  
Japan, 547-0003

**Tested in Accordance With**

**Federal Communications Commission (FCC)**  
**47 CFR, Parts 2 and 90 (Subpart I)**

**UltraTech's File No.: ICOM-271FCC90**

This Test report is Issued under the Authority of  
Tri M. Luu, BAsC,  
Vice President of Engineering  
UltraTech Group of Labs

Date: May 17, 2011

Report Prepared by: Dharmajit Solanki

Tested by: Wei Wu

Issued Date: May 17, 2011

Test Dates: April 28 – May 3, 2011

- *The results in this Test Report apply only to the sample(s) tested, and the sample tested is randomly selected.*
- *This report must not be used by the client to claim product endorsement by NVLAP or any agency of the US Government.*

## UltraTech Group of Labs

3000 Bristol Circle, Oakville, Ontario, Canada, L6H 6G4  
Tel.: (905) 829-1570 Fax.: (905) 829-8050  
Website: [www.ultratech-labs.com](http://www.ultratech-labs.com) , Email: [vic@ultratech-labs.com](mailto:vic@ultratech-labs.com) , Email: [tri@ultratech-labs.com](mailto:tri@ultratech-labs.com)

FCC

91038



1309



46390-2049



NVLAP Lab Code 200093-0



SL2-IN-E-1119R



Korea KCC-RRL  
CA2049

## TABLE OF CONTENTS

<b>EXHIBIT 1. INTRODUCTION .....</b>	<b>1</b>
1.1. SCOPE.....	1
1.2. RELATED SUBMITTAL(S)/GRANT(S).....	1
1.3. NORMATIVE REFERENCES .....	1
<b>EXHIBIT 2. PERFORMANCE ASSESSMENT.....</b>	<b>2</b>
2.1. CLIENT INFORMATION .....	2
2.2. EQUIPMENT UNDER TEST (EUT) INFORMATION .....	2
2.3. EUT'S TECHNICAL SPECIFICATIONS.....	3
2.4. LIST OF EUT'S PORTS .....	4
2.5. GENERAL TEST SETUP.....	4
<b>EXHIBIT 3. EUT OPERATING CONDITIONS AND CONFIGURATIONS DURING TESTS.....</b>	<b>5</b>
3.1. CLIMATE TEST CONDITIONS.....	5
3.2. OPERATIONAL TEST CONDITIONS & ARRANGEMENT FOR TEST SIGNALS .....	5
<b>EXHIBIT 4. SUMMARY OF TEST RESULTS .....</b>	<b>6</b>
4.1. LOCATION OF TESTS .....	6
4.2. APPLICABILITY & SUMMARY OF EMISSION TEST RESULTS.....	6
4.3. MODIFICATIONS INCORPORATED IN THE EUT FOR COMPLIANCE PURPOSES .....	6
<b>EXHIBIT 5. MEASUREMENTS, EXAMINATIONS &amp; TEST DATA FOR EMC EMISSIONS .....</b>	<b>7</b>
5.1. TEST PROCEDURES.....	7
5.2. MEASUREMENT UNCERTAINTIES.....	7
5.3. MEASUREMENT EQUIPMENT USED.....	7
5.4. ESSENTIAL/PRIMARY FUNCTIONS AS DECLARED BY THE MANUFACTURER .....	7
5.5. RF POWER OUTPUT [§§ 2.1046 & 90.205] .....	8
5.6. RF EXPOSURE REQUIREMENTS [§§ 1.1310 & 2.1091].....	9
5.7. AUDIO FREQUENCY RESPONSE [§§ 2.1047(A) & 90.242(B)(8)].....	11
5.8. MODULATION LIMITING [§§ 2.1047 (B) & 90.210] .....	14
5.9. OCCUPIED BANDWIDTH & EMISSION MASK [§§ 2.1049, 90.209 & 90.210] .....	17
5.10. TRANSMITTER ANTENNA POWER SPURIOUS/HARMONIC CONDUCTED EMISSIONS [§§ 2.1051, 2.1057 & 90.210].....	37
5.11. TRANSMITTER SPURIOUS/HARMONIC RADIATED EMISSIONS [§§ 2.1053, 2.1057 & 90.210].....	62
5.12. FREQUENCY STABILITY [§§ 2.1055 & 90.213] .....	65
5.13. TRANSIENT FREQUENCY BEHAVIOR [§ 90.214] .....	67
<b>EXHIBIT 6. TEST EQUIPMENT LIST.....</b>	<b>73</b>
<b>EXHIBIT 7. MEASUREMENT UNCERTAINTY .....</b>	<b>74</b>
7.1. RADIATED EMISSION MEASUREMENT UNCERTAINTY .....	74
<b>EXHIBIT 8. MEASUREMENT METHODS .....</b>	<b>75</b>
8.1. CONDUCTED POWER MEASUREMENTS .....	75
8.2. RADIATED POWER MEASUREMENTS (ERP & EIRP) USING SUBSTITUTION METHOD .....	76
8.3. FREQUENCY STABILITY .....	79
8.4. EMISSION MASK.....	80
8.5. SPURIOUS EMISSIONS (CONDUCTED).....	80
8.6. TRANSIENT FREQUENCY BEHAVIOR.....	81

---

**ULTRATECH GROUP OF LABS**

3000 Bristol Circle, Oakville, Ontario, Canada L6H 6G4  
Tel. #: 905-829-1570, Fax. #: 905-829-8050, Email: [vic@ultratech-labs.com](mailto:vic@ultratech-labs.com), Website: <http://www.ultratech-labs.com>

File #: ICOM-271FCC90

May 17, 2011

All test results contained in this engineering test report are traceable to National Institute of Standards and Technology (NIST)

## EXHIBIT 1. INTRODUCTION

### 1.1. SCOPE

<b>Reference:</b>	FCC Parts 2 and 90
<b>Title:</b>	Code of Federal Regulations (CFR), Title 47 Telecommunication – Parts 2 & 90
<b>Purpose of Test:</b>	To obtain FCC Certification Authorization for Radio operating in the Frequency Band 450-512 MHz.
<b>Test Procedures:</b>	Both conducted and radiated emissions measurements were conducted in accordance with TIA/EIA Standard TIA/EIA-603-C – Land Mobile FM or PM Communications Equipment Measurement and performance Standards.

### 1.2. RELATED SUBMITTAL(S)/GRANT(S)

None.

### 1.3. NORMATIVE REFERENCES

Publication	Year	Title
FCC CFR Parts 0-19, 80-End	2010	Code of Federal Regulations – Telecommunication
ANSI C63.4	2009	American National Standard for Methods of Measurement of Radio-Noise Emissions from Low-Voltage Electrical and Electronic Equipment in the Range of 9 kHz to 40 GHz
TIA/EIA 603, Edition C	2004	Land Mobile FM or PM Communications Equipment Measurement and Performance Standards

## EXHIBIT 2. PERFORMANCE ASSESSMENT

### 2.1. CLIENT INFORMATION

APPLICANT	
<b>Name:</b>	Icom Incorporated
<b>Address:</b>	1-1-32, Kamiminami Hirano-ku, Osaka Japan, 547-0003
<b>Contact Person:</b>	Mr. Takayuki Watanabe Phone #: +81 6 6793 5302 Fax #: +81 6 6793 0013 Email Address: <a href="mailto:export@icom.co.jp">export@icom.co.jp</a>

MANUFACTURER	
<b>Name:</b>	Icom Incorporated
<b>Address:</b>	1-1-32, Kamiminami Hirano-ku, Osaka Japan, 547-0003
<b>Contact Person:</b>	Mr. Takayuki Watanabe Phone #: +81 6 6793 5302 Fax #: +81 6 6793 0013 Email Address: <a href="mailto:export@icom.co.jp">export@icom.co.jp</a>

### 2.2. EQUIPMENT UNDER TEST (EUT) INFORMATION

The applicant has supplied the following information (with the exception of the Date of Receipt).

<b>Brand Name:</b>	ICOM Incorporated
<b>Product Name:</b>	UHF Mobile Transceiver
<b>Model Name or Number:</b>	IC-F6121D
<b>Serial Number:</b>	52000010-0
<b>Type of Equipment:</b>	Licensed Non-Broadcast Station Transmitter
<b>Power Supply Requirement:</b>	13.6 VDC nominal
<b>Transmitting/Receiving Antenna Type:</b>	Non-integral
<b>Primary User Functions of EUT:</b>	UHF Mobile Transceiver

#### ULTRATECH GROUP OF LABS

3000 Bristol Circle, Oakville, Ontario, Canada L6H 6G4  
Tel. #: 905-829-1570, Fax. #: 905-829-8050, Email: [vic@ultratech-labs.com](mailto:vic@ultratech-labs.com), Website: <http://www.ultratech-labs.com>

File #: ICOM-271FCC90  
May 17, 2011

All test results contained in this engineering test report are traceable to National Institute of Standards and Technology (NIST)

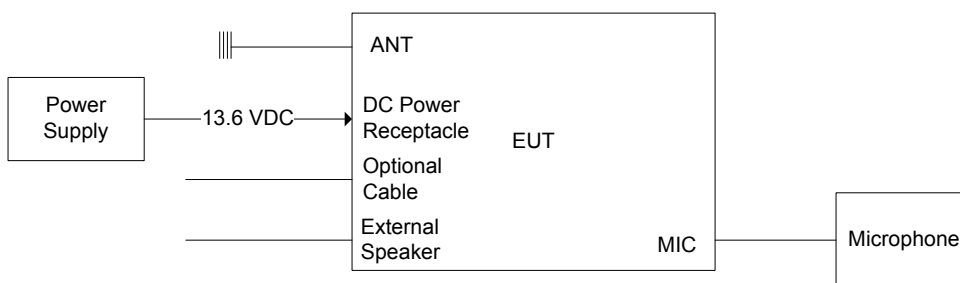
### 2.3. EUT'S TECHNICAL SPECIFICATIONS

TRANSMITTER	
Equipment Type:	Mobile
Intended Operating Environment:	Commercial, Industrial or Business
Power Supply Requirement:	13.6 VDC nominal
RF Output Power Rating:	45 Watts (High) / 4.5 Watts (Low)
Operating Frequency Range:	450-512 MHz
RF Output Impedance:	50 $\Omega$
Channel Spacing:	12.5 kHz and 6.25 kHz
Occupied Bandwidth (99%):	5.49 kHz (for 12.5 KHz Channel Spacing) 3.64 kHz (for 6.25 KHz Channel Spacing)
Emission Designation*:	11K0F3E, 4K00F1D and 4K00F1E
Antenna Connector Type:	J
<p>* For an average case of commercial telephony, the Necessary Bandwidth is calculated as follows:</p> <p>For FM Voice Modulation:</p> <p>Channel Spacing = 12.5 kHz, D = 2.5 kHz max, K = 1, M = 3 kHz <math>B_n = 2M + 2DK = 2(3) + 2(2.5)(1) = 11 \text{ kHz}</math> Emission designation: 11K0F3E</p>	

## 2.4. LIST OF EUT'S PORTS

Port Number	EUT's Port Description	Number of Identical Ports	Connector Type	Shielded/Non-shielded
1	Microphone Connector	1	RJ45	Shielded
2	Antenna Connector	1	J type	Shielded
3	External Speaker Jack	1	Audio Jack	Shielded
4	Optional Cable Connector	1	DB9	Shielded
5	DC Power Receptacle	1	Custom 2 pins	Non-shielded

## 2.5. General Test Setup



## EXHIBIT 3. EUT OPERATING CONDITIONS AND CONFIGURATIONS DURING TESTS

### 3.1. CLIMATE TEST CONDITIONS

The climate conditions of the test environment are as follows:

<b>Temperature:</b>	21.2°C
<b>Humidity:</b>	43%
<b>Pressure:</b>	101 kPa
<b>Power Input Source:</b>	13.6 VDC Nominal

### 3.2. OPERATIONAL TEST CONDITIONS & ARRANGEMENT FOR TEST SIGNALS

<b>Operating Modes:</b>	The transmitter was operated in a continuous transmission mode with the carrier modulated as specified in the Test Data.
<b>Special Test Software:</b>	N/A
<b>Special Hardware Used:</b>	N/A
<b>Transmitter Test Antenna:</b>	The EUT is tested with the antenna port terminated to a 50 Ohm RF Load.

Transmitter Test Signals	
<b>Frequency Band(s):</b>	450-512 MHz
<b>Test Frequencies:</b> (Near lowest, near middle & near highest frequencies in the frequency range of operation.)	450.1 MHz, 485.1 MHz, 511.9 MHz
<b>Transmitter Wanted Output Test Signals:</b>	
Transmitter Power (measured maximum output power):	45 W High and 4.5 W Low
Normal Test Modulation:	FM Voice/Digital
Modulating signal source:	External

## EXHIBIT 4. SUMMARY OF TEST RESULTS

### 4.1. LOCATION OF TESTS

All of the measurements described in this report were performed at Ultratech Group of Labs located in the city of Oakville, Province of Ontario, Canada.

Radiated Emissions were performed at the Ultratech's 3-10 TDK Semi-Anechoic Chamber situated in the Town of Oakville, province of Ontario. This test site been calibrated in accordance with ANSI C63.4 and found to be in compliance with the requirements of Sec. 2.948 of the FCC Rules. The descriptions and site measurement data of the Oakville 3-10 TDK Semi-Anechoic Chamber has been filed with FCC office (FCC File No.: 91038) and Industry Canada office (Industry Canada File No.: 2049A-3). Expiry Date: 2014-04-04.

### 4.2. APPLICABILITY & SUMMARY OF EMISSION TEST RESULTS

FCC Section(s)	Test Requirements	Applicability (Yes/No)
1.1307, 1.1310, 2.1091 & 2.1093	RF Exposure Limit	Yes
2.1046 & 90.205	RF Power Output	Yes
2.1047(a) & 90.242(b)(8)	Audio Frequency Response	Not applicable to current standard. However, tests are conducted under FCC's recommendation.
2.1047(b) & 90.210	Modulation Limiting	Yes
2.1049, 90.209 & 90.210	Emission Limitation & Emission Mask	Yes
2.1051, 2.1057 & 90.210	Emission Limits - Spurious Emissions at Antenna Terminal	Yes
2.1053, 2.1057 & 90.210	Emission Limits - Field Strength of Spurious Emissions	Yes
2.1055 & 90.213	Frequency Stability	Yes
90.214	Transient Frequency Behavior	Yes
UHF Mobile Transceiver, Model No.: IC-F6121D, by ICOM Incorporated has also been tested and found to comply with FCC Part 15, Subpart B - Radio Receivers and Class B Digital Devices. The engineering test report has been documented and kept on file and is available upon request.		

### 4.3. MODIFICATIONS INCORPORATED IN THE EUT FOR COMPLIANCE PURPOSES

None.

#### 4.3.1. DEVIATION OF STANDARD TEST PROCEDURES

None.

---

#### ULTRATECH GROUP OF LABS

3000 Bristol Circle, Oakville, Ontario, Canada L6H 6G4  
Tel. #: 905-829-1570, Fax. #: 905-829-8050, Email: [vic@ultratech-labs.com](mailto:vic@ultratech-labs.com), Website: <http://www.ultratech-labs.com>

File #: ICOM-271FCC90  
May 17, 2011

All test results contained in this engineering test report are traceable to National Institute of Standards and Technology (NIST)



## **EXHIBIT 5. MEASUREMENTS, EXAMINATIONS & TEST DATA FOR EMC EMISSIONS**

### **5.1. TEST PROCEDURES**

This section contains test results only. Details of test methods and procedures can be found in EXHIBIT 8 of this report.

### **5.2. MEASUREMENT UNCERTAINTIES**

The measurement uncertainties stated were calculated in accordance with the requirements of CISPR 16-4-2 @ IEC:2003 and JCGM 100:2008 (GUM 1995) – Guide to the Expression of Uncertainty in Measurement. Refer to Exhibit 7 for Measurement Uncertainties.

### **5.3. MEASUREMENT EQUIPMENT USED**

The measurement equipment used complied with the requirements of the Standards referenced in the Methods & Procedures ANSI C63.4 and CISPR 16-1-1.

### **5.4. ESSENTIAL/PRIMARY FUNCTIONS AS DECLARED BY THE MANUFACTURER**

The essential function of the EUT is to communicate to and from radios over RF link.

## 5.5. RF POWER OUTPUT [§§ 2.1046 & 90.205]

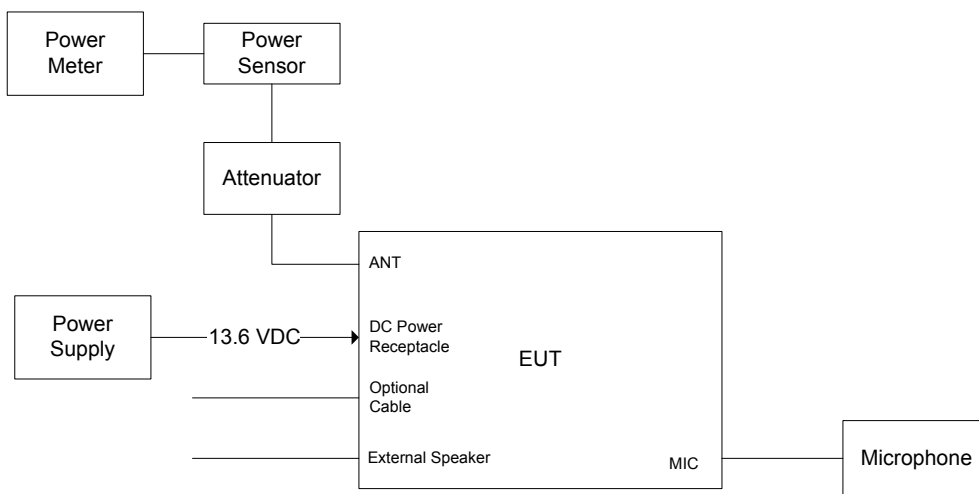
### 5.5.1. Limits

Please refer to FCC 47 CFR 90.205 for specification details.

### 5.5.2. Method of Measurements

Refer to Section 8.1 (Conducted) and 8.2 (Radiated) of this report for measurement details

### 5.5.3. Test Arrangement



### 5.5.4. Test Data

Fundamental Frequency (MHz)	Measured (Average) Power (W)	Power Rating (W)
High Power Level, 45 W		
450.1	48.75	45
485.1	50.58	45
511.9	47.97	45
Low Power Level, 4.5 W		
450.1	5.20	4.5
485.1	5.46	4.5
511.9	5.35	4.5

## 5.6. RF EXPOSURE REQUIREMENTS [§§ 1.1310 & 2.1091]

### 5.6.1. Limits

§ 1.1310: The criteria listed in the following table shall be used to evaluate the environmental impact of human exposure to radio-frequency (RF) radiation as specified in 1.1307(b).

#### LIMITS FOR MAXIMUM PERMISSIBLE EXPOSURE (MPE)

Frequency Range (MHz)	Electric Field Strength (V/m)	Magnetic Field Strength (A/m)	Power Density (mW/cm <sup>2</sup> )	Average Time (minutes)
<b>(A) Limits for Occupational/Control Exposures</b>				
30-300	61.4	0.163	1.0	6
300-1500	--	--	f/300	6
<b>(B) Limits for General Population/Uncontrolled Exposure</b>				
30-300	27.5	0.073	0.2	30
300-1500	--	--	f/1500	30

**Note:** f is frequency in MHz

### 5.6.2. Method of Measurements

#### Calculation Method of RF Safety Distance:

$$S = \frac{PG}{4\pi \cdot r^2} = \frac{EIRP}{4\pi \cdot r^2}$$

Where,  
 P: power input to the antenna in mW  
 EIRP: Equivalent (effective) isotropic radiated power.  
 S: power density mW/cm<sup>2</sup>  
 G: numeric gain of antenna relative to isotropic radiator  
 r: distance to centre of radiation in cm

$$r = \sqrt{\frac{PG}{4\pi \cdot S}} = \sqrt{\frac{EIRP}{4\pi \cdot S}}$$

### 5.6.3. Evaluation of RF Exposure Compliance Requirements

Maximum RF Power conducted,  $P_{\text{conducted}}[\text{dBm}] = 47.04$  (rated power)

Maximum Antenna Gain,  $G[\text{dBi}] = 0$

Maximum EIRP,  $P_{\text{EIRP}}[\text{dBm}] = 47.04$

User-based time-average for PTT = 50%, So EIRP for Calculation = 25291 mW

MPE Limit for Occupational/Controlled Exposure,  $S_{\text{controlled}}[\text{mW}/\text{cm}^2] = 450.1/300 = 1.50$

MPE Limit for General Population/Uncontrolled Exposure,  $S_{\text{uncontrolled}}[\text{mW}/\text{cm}^2] = 450.1/1500 = 0.30$

Calculated RF Safety Distance for Occupational/Controlled Exposure,  $r_{\text{safety\_controlled}}[\text{cm}] = 36.63$

Calculated RF Safety Distance for General Population/Uncontrolled Exposure,  $r_{\text{safety\_uncontrolled}}[\text{cm}] = 81.90$

## 5.7. AUDIO FREQUENCY RESPONSE [§§ 2.1047(a) & 90.242(b)(8)]

### 5.7.1. Limits

§ 2.1047(a): Voice modulated communication equipment. A curve or equivalent data showing the frequency response of the audio modulating circuit over a range of 100 to 5000 Hz shall be submitted. For equipment required to have an audio low-pass filter, a curve showing the frequency response of the filter or of all circuitry installed between the modulation limiter and the modulated stage shall be submitted.

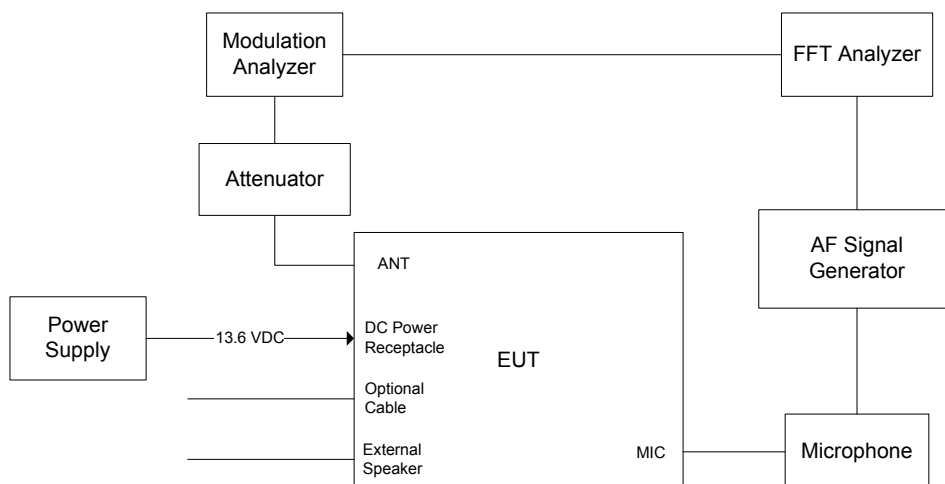
§ 90.242(b)(8): Recommended audio filter attenuation characteristics are given below:

RF Band	Audio band	Minimum Attenuation Rel. to 1 kHz Attenuation
450-512 MHz	3 –20 KHz 20 – 30 KHz	$60 \log_{10}(f/3)$ dB where f is in kHz 50dB

### 5.7.2. Method of Measurements

The rated audio input signal was applied to the input of the audio low-pass filter (or of all modulation stages) using an audio oscillator, this input signal level and its corresponding output signal were then measured and recorded using the FFT Digital Spectrum Analyzer. Tests were repeated at different audio signal frequencies from 0 to 50 KHz.

### 5.7.3. Test Arrangement



5.7.4. Test Data

5.7.4.1. 12.5 KHz Channel Spacing, F3E, Frequency of All Modulation States

**Remark:** Due to the difficulty of measuring the Frequency Response of the internal low-pass filter, the Frequency Response of All Modulation States is performed to show the roll-off at 3 kHz in comparison with the recommended audio filter attenuation.

Frequency (KHz)	Audio In (dBV)	Audio Out (dBV)	Attenuation (Out - In) (dB)	Attenuation Rel. to 1 KHz (dB)	Recommended Attenuation (dB)
0.1	-46.74	-46.11	0.6	-46.3	--
0.2	-46.74	-27.11	19.6	-27.3	--
0.4	-46.74	-7.66	39.1	-7.9	--
0.6	-46.74	-3.52	43.2	-3.7	--
0.8	-46.74	-1.47	45.3	-1.7	--
1.0	-46.74	0.22	47.0	0.0	--
1.5	-46.74	1.73	48.5	1.5	--
2.0	-46.74	1.26	48.0	1.0	--
2.5	-46.74	0.48	47.2	0.3	--
3.0	-46.74	-0.57	46.2	-0.8	0
3.5	-46.74	-9.41	37.3	-9.6	-4
4.0	-46.74	-25.67	21.1	-25.9	-7
4.5	-46.74	-39.65	7.1	-39.9	-11
5.0	-46.74	-51.66	-4.9	-51.9	-13
6.0	-46.74	-60.00	-13.3	-60.2	-18
7.0	-46.74	-60.00	-13.3	-60.2	-22
8.0	-46.74	-60.00	-13.3	-60.2	-26
9.0	-46.74	-60.00	-13.3	-60.2	-29
10.0	-46.74	-60.00	-13.3	-60.2	-31
12.0	-46.74	-60.00	-13.3	-60.2	-36
14.0	-46.74	-60.00	-13.3	-60.2	-40
16.0	-46.74	-60.00	-13.3	-60.2	-44
18.0	-46.74	-60.00	-13.3	-60.2	-47
20.0	-46.74	-60.00	-13.3	-60.2	-49
22.0	-46.74	-60.00	-13.3	-60.2	-50
25.0	-46.74	-60.00	-13.3	-60.2	-50
30.0	-46.74	-60.00	-13.3	-60.2	-50
35.0	-46.74	-60.00	-13.3	-60.2	-50
40.0	-46.74	-60.00	-13.3	-60.2	-50
45.0	-46.74	-60.00	-13.3	-60.2	-50
50.0	-46.74	-60.00	-13.3	-60.2	-50

**ULTRATECH GROUP OF LABS**

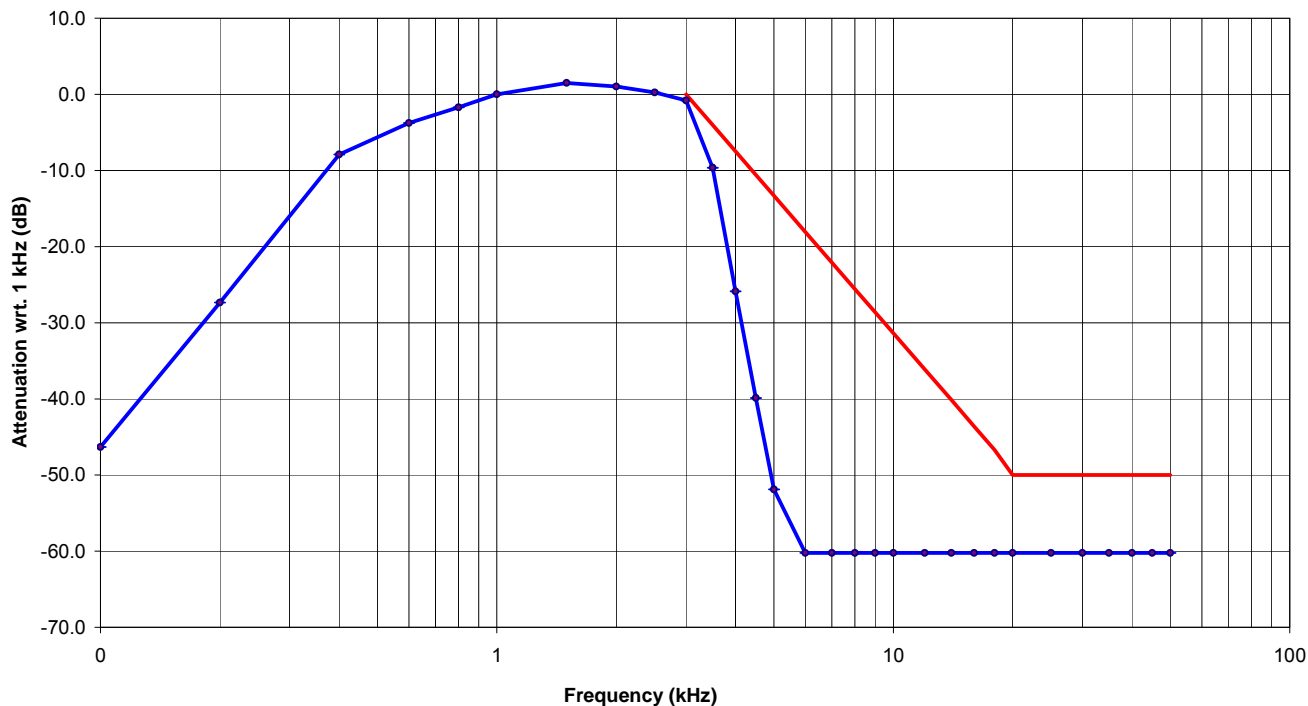
3000 Bristol Circle, Oakville, Ontario, Canada L6H 6G4  
 Tel. #: 905-829-1570, Fax. #: 905-829-8050, Email: [vic@ultratech-labs.com](mailto:vic@ultratech-labs.com), Website: <http://www.ultratech-labs.com>

File #: ICOM-271FCC90

May 17, 2011

All test results contained in this engineering test report are traceable to National Institute of Standards and Technology (NIST)

Audio Frequency Response  
12.5 kHz Channel Spacing



## 5.8. MODULATION LIMITING [§§ 2.1047 (b) & 90.210]

### 5.8.1. Limits

§ 2.1047(b): Equipment which employs modulation limiting. A curve or family of curves showing the percentage of modulation versus the modulation input voltage shall be supplied. The information submitted shall be sufficient to show modulation limiting capability throughout the range of modulating frequencies and input modulating signal levels employed.

Recommended frequency deviation characteristics are given below:

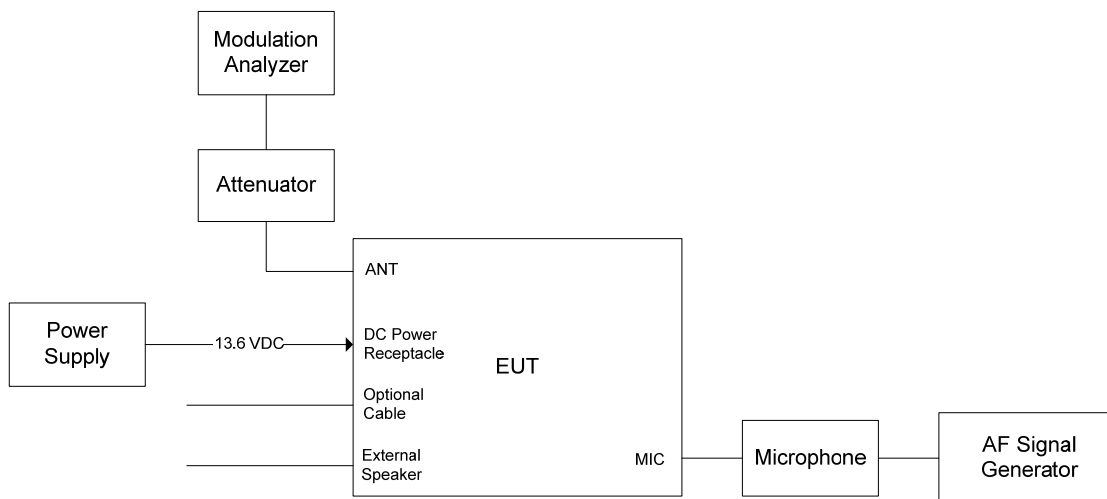
- 1.25 kHz for 6.25 kHz Channel Spacing System
- 2.5 KHz for 12.5 kHz Channel Spacing System

### 5.8.2. Method of Measurements

**For Audio Transmitter:** The carrier frequency deviation was measured with the tone input signal level varied from 0 Vp to audio input rating level plus 16 dB at frequencies 0.1, 0.5, 1.0, 3.0 and 5.0 kHz. The maximum deviation was recorded at each test condition.

**For Data Transmitter with Maximum Frequency Deviation set by Factory:** The EUT was set at maximum frequency deviation, and its peak frequency deviation was then measured using EUT's internal random data source.

### 5.8.3. Test Arrangement





5.8.4. Test Data

5.8.4.1. Voice Modulation Limiting for 12.5 KHz Channel Spacing Operation

Modulating Signal Level (mVrms)	Peak Frequency Deviation (kHz) at the following modulating frequency:					Maximum Limit (kHz)
	0.1 kHz	0.5 kHz	1.0 kHz	3.0 kHz	5.0 kHz	
1	0.10	0.24	0.39	0.81	0.09	2.5
2	0.10	0.41	0.71	1.29	0.09	2.5
4	0.10	0.75	1.36	1.37	0.07	2.5
6	0.10	1.08	1.87	1.40	0.07	2.5
8	0.10	1.45	2.00	1.40	0.07	2.5
10	0.10	1.65	2.01	1.41	0.07	2.5
15	0.10	1.94	2.02	1.41	0.07	2.5
20	0.10	1.98	2.03	1.42	0.07	2.5
25	0.11	1.98	2.03	1.42	0.07	2.5
30	0.11	1.98	2.03	1.42	0.07	2.5
35	0.11	1.99	2.03	1.42	0.07	2.5
40	0.11	1.99	2.03	1.42	0.07	2.5
45	0.12	1.99	2.03	1.42	0.07	2.5
50	0.12	1.99	2.03	1.42	0.07	2.5
60	0.13	2.00	2.03	1.42	0.07	2.5
70	0.14	2.00	2.03	1.42	0.07	2.5
80	0.15	1.99	2.03	1.42	0.07	2.5
90	0.16	1.99	2.03	1.42	0.07	2.5
100	0.16	1.99	2.03	1.42	0.07	2.5

<b>Voice Signal Input Level</b> = STD MOD Level + 16 dB = 13.26 dB(mVrms) + 16 dB = 29.26 dB(mVrms) = 29.04 mVrms		
Modulation Frequency (kHz)	Peak Deviation (kHz)	Maximum Limit (kHz)
0.1	0.11	2.5
0.2	0.49	2.5
0.4	1.98	2.5
0.6	2.01	2.5
0.8	1.91	2.5
1.0	2.03	2.5
1.2	1.94	2.5
1.4	1.81	2.5
1.6	1.78	2.5
1.8	1.77	2.5
2.0	1.74	2.5
2.5	1.59	2.5
3.0	1.42	2.5
3.5	0.54	2.5
4.0	0.13	2.5
4.5	0.07	2.5
5.0	0.06	2.5
6.0	0.06	2.5
7.0	0.06	2.5
8.0	0.06	2.5
9.0	0.06	2.5
10.0	0.06	2.5

**5.8.4.2. Data Modulation Limiting for 6.25 kHz Channel Spacing Operation (Factory Setting)**

Data Rate	Peak Frequency Deviation (kHz)
Factory default setting	1.41

## 5.9. OCCUPIED BANDWIDTH & EMISSION MASK [§§ 2.1049, 90.209 & 90.210]

### 5.9.1. Limits

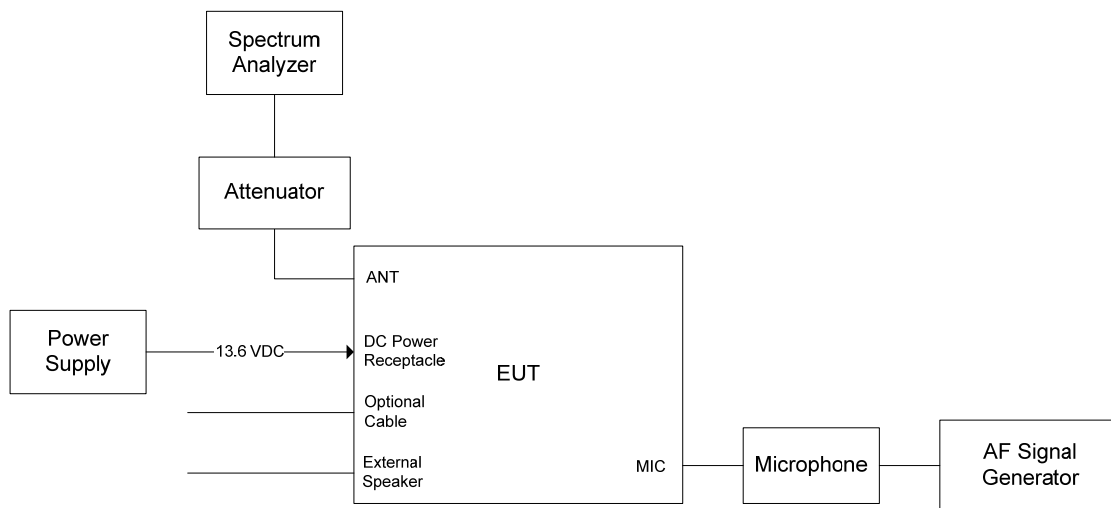
Emissions shall be attenuated below the mean output power of the transmitter as follows:

Frequency Range (MHz)	Maximum Authorized BW (KHz)	Channel Spacing (KHz)	Recommended Frequency Deviation (KHz)	FCC Applicable Mask
156-174, 421-512	11.25	12.5	2.5	Mask D – Voice & Data
150-174, 421-512	6	6.25	1.25	Mask E – Voice & Data

### 5.9.2. Method of Measurements

Refer to Section 8.4 of this report for measurement details.

### 5.9.3. Test Arrangement



#### 5.9.4. Test Data

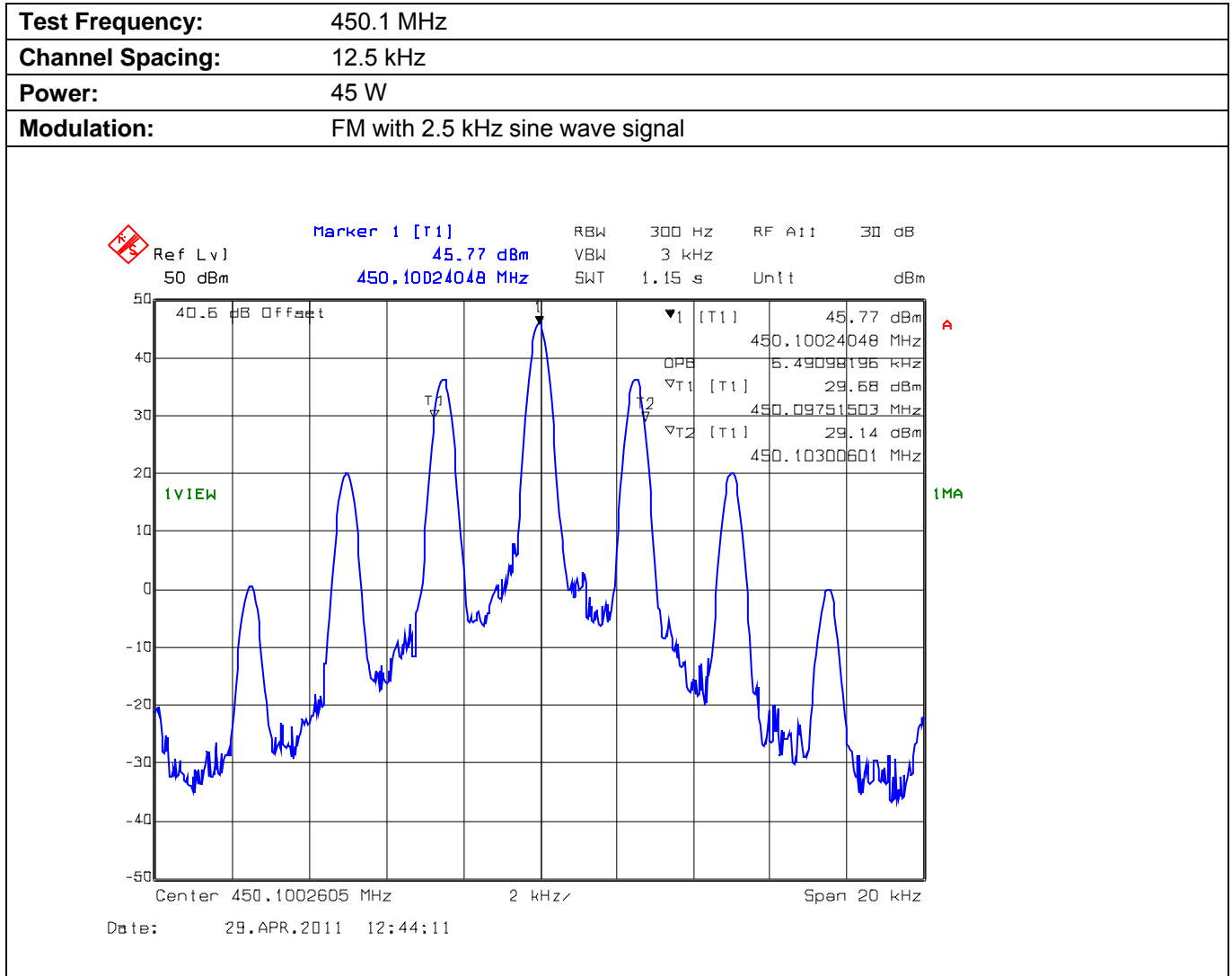
##### 5.9.4.1. 99% Occupied Bandwidth

Frequency (MHz)	Channel Spacing (kHz)	Modulation	*Measured 99% OBW at Maximum Freq. Deviation (kHz)	Maximum Authorized Bandwidth (kHz)
450.1	12.5	FM with 2.5 kHz sine wave signal	5.49	11.25
485.1	12.5	FM with 2.5 kHz sine wave signal	5.49	11.25
511.9	12.5	FM with 2.5 kHz sine wave signal	5.49	11.25
450.1	6.25	Digital	3.60	6
485.1	6.25	Digital	3.64	6
511.9	6.25	Digital	3.64	6

**Note:** 99% Occupied Bandwidth measurements were done using the built-in auto function of the analyzer.

\*Refer to the following test data plots (1 through 6) for details.

Plot 5.9.4.1.1. Occupied Bandwidth



**ULTRATECH GROUP OF LABS**

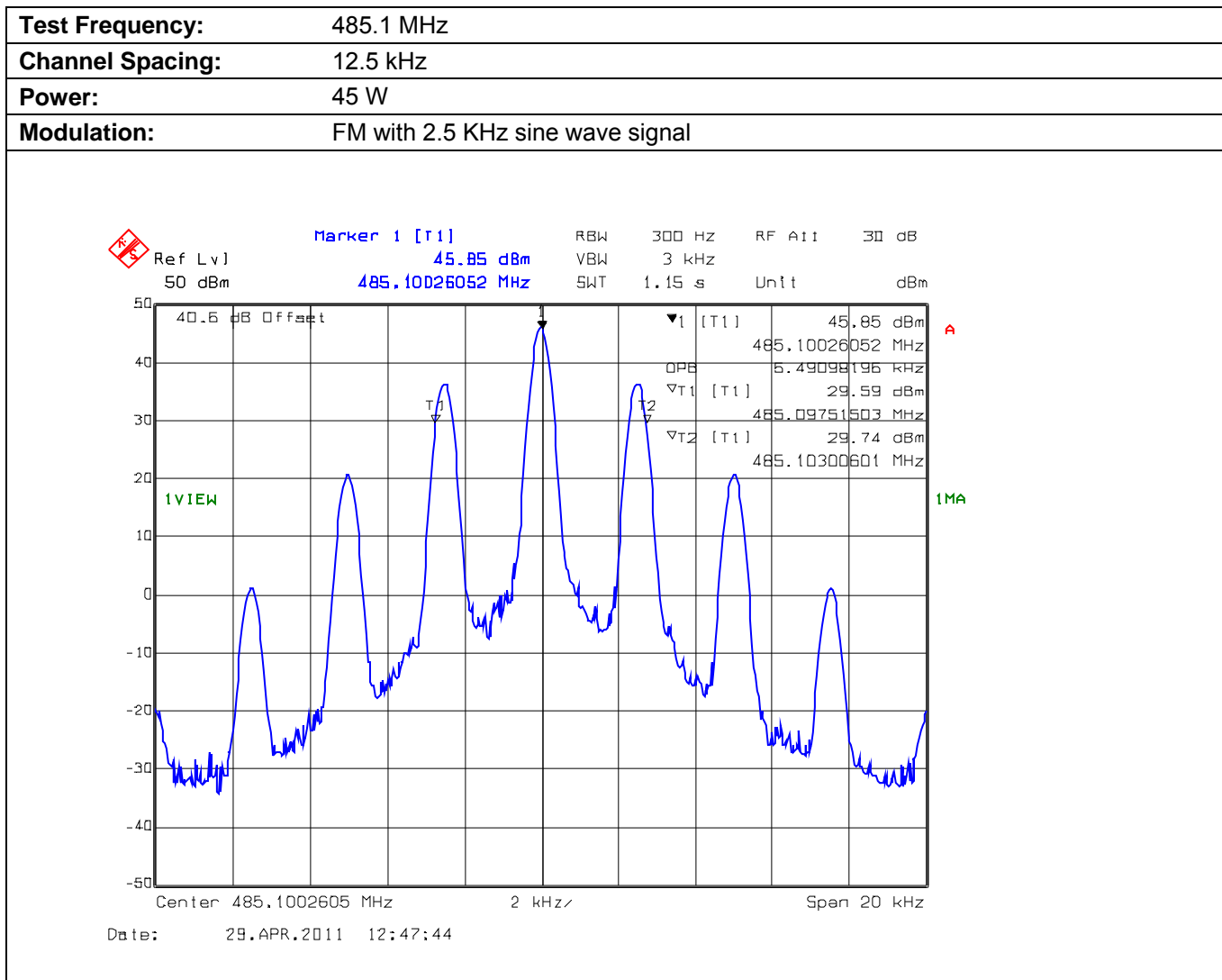
3000 Bristol Circle, Oakville, Ontario, Canada L6H 6G4  
 Tel. #: 905-829-1570, Fax. #: 905-829-8050, Email: [vic@ultratech-labs.com](mailto:vic@ultratech-labs.com), Website: <http://www.ultratech-labs.com>

File #: ICOM-271FCC90

May 17, 2011

All test results contained in this engineering test report are traceable to National Institute of Standards and Technology (NIST)

Plot 5.9.4.1.2. Occupied Bandwidth



**ULTRATECH GROUP OF LABS**

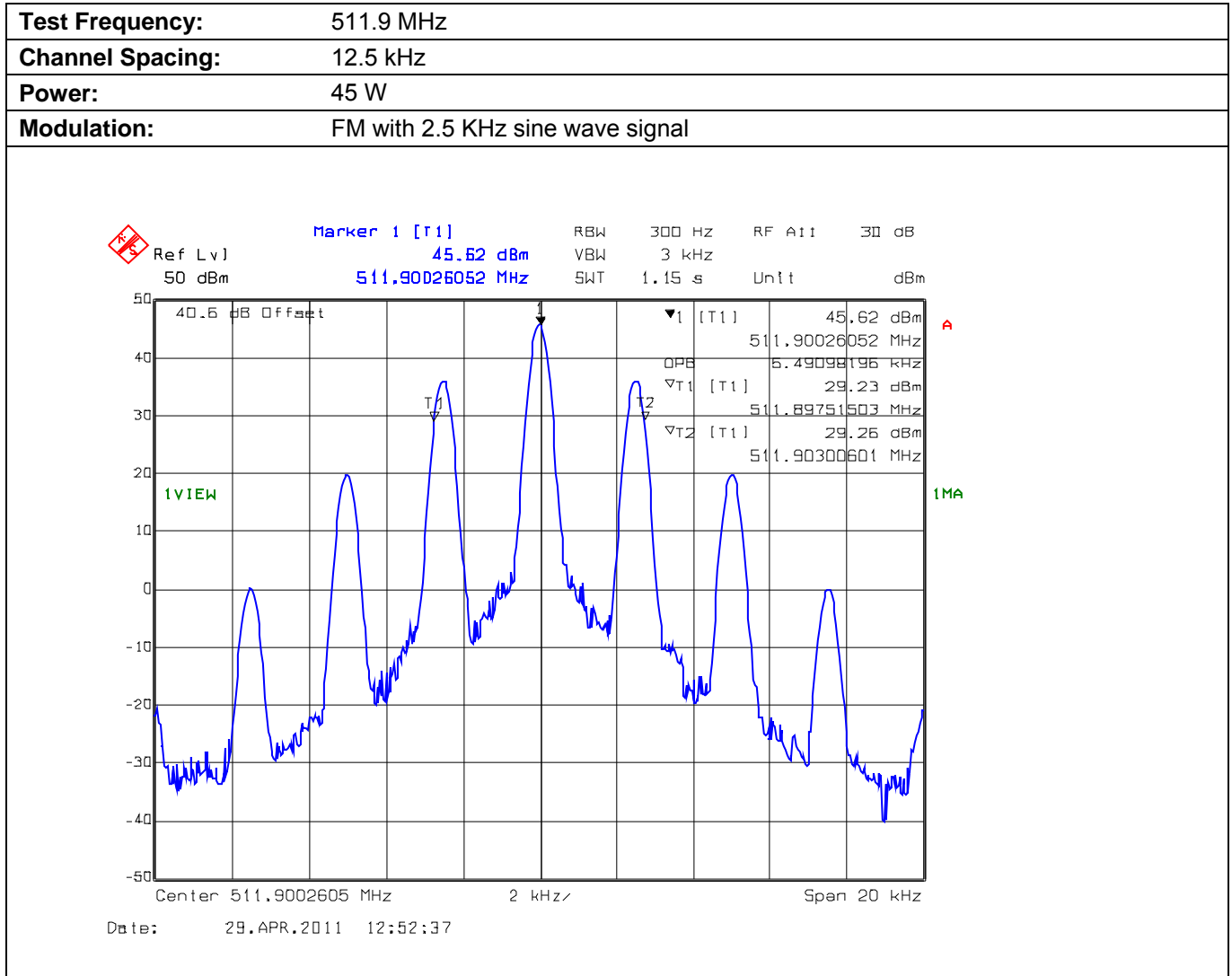
3000 Bristol Circle, Oakville, Ontario, Canada L6H 6G4  
 Tel. #: 905-829-1570, Fax. #: 905-829-8050, Email: [vic@ultratech-labs.com](mailto:vic@ultratech-labs.com), Website: <http://www.ultratech-labs.com>

File #: ICOM-271FCC90

May 17, 2011

All test results contained in this engineering test report are traceable to National Institute of Standards and Technology (NIST)

Plot 5.9.4.1.3. Occupied Bandwidth



**ULTRATECH GROUP OF LABS**

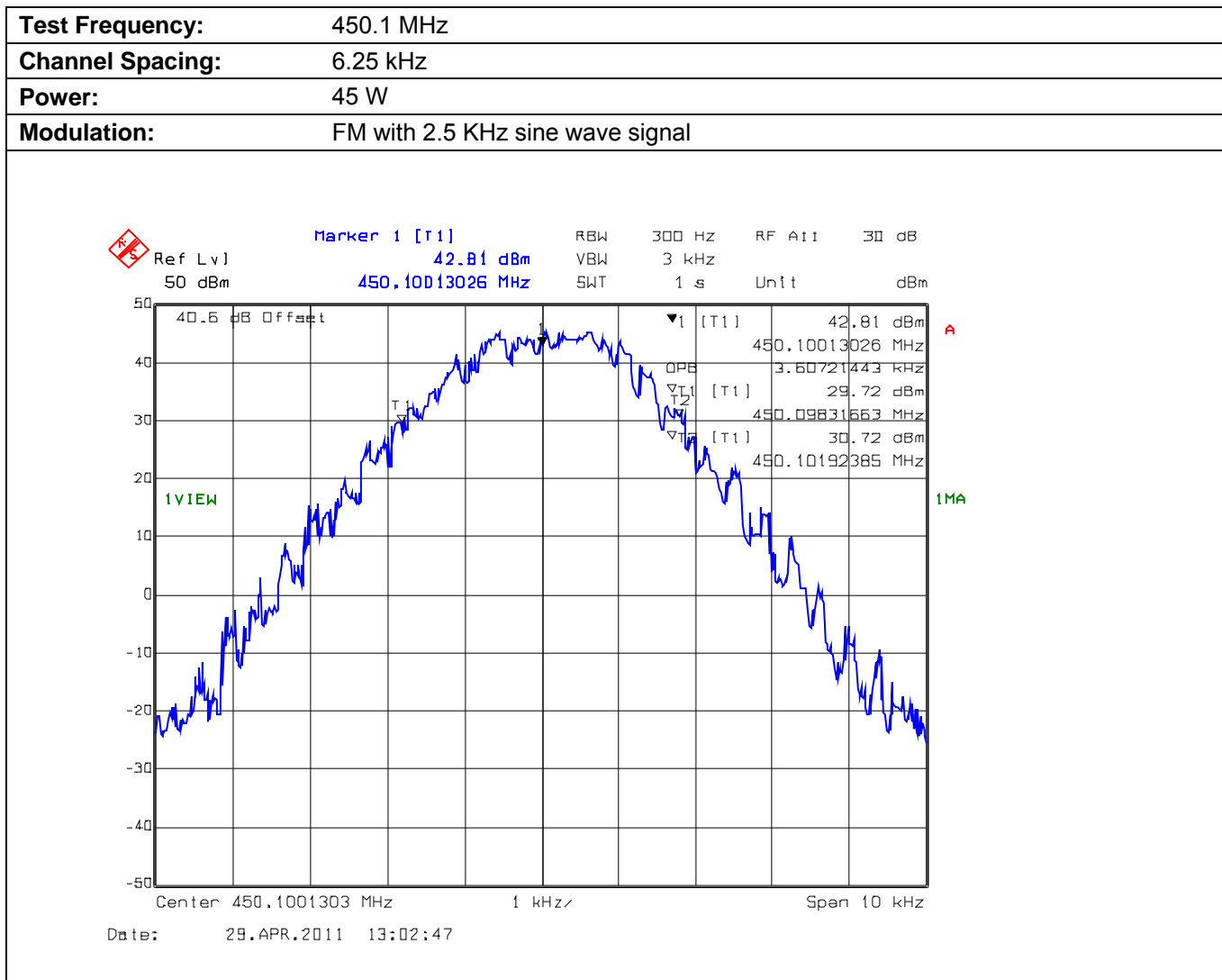
3000 Bristol Circle, Oakville, Ontario, Canada L6H 6G4  
 Tel. #: 905-829-1570, Fax. #: 905-829-8050, Email: [vic@ultratech-labs.com](mailto:vic@ultratech-labs.com), Website: <http://www.ultratech-labs.com>

File #: ICOM-271FCC90

May 17, 2011

All test results contained in this engineering test report are traceable to National Institute of Standards and Technology (NIST)

Plot 5.9.4.1.4. Occupied Bandwidth



**ULTRATECH GROUP OF LABS**

3000 Bristol Circle, Oakville, Ontario, Canada L6H 6G4  
 Tel. #: 905-829-1570, Fax. #: 905-829-8050, Email: [vic@ultratech-labs.com](mailto:vic@ultratech-labs.com), Website: <http://www.ultratech-labs.com>

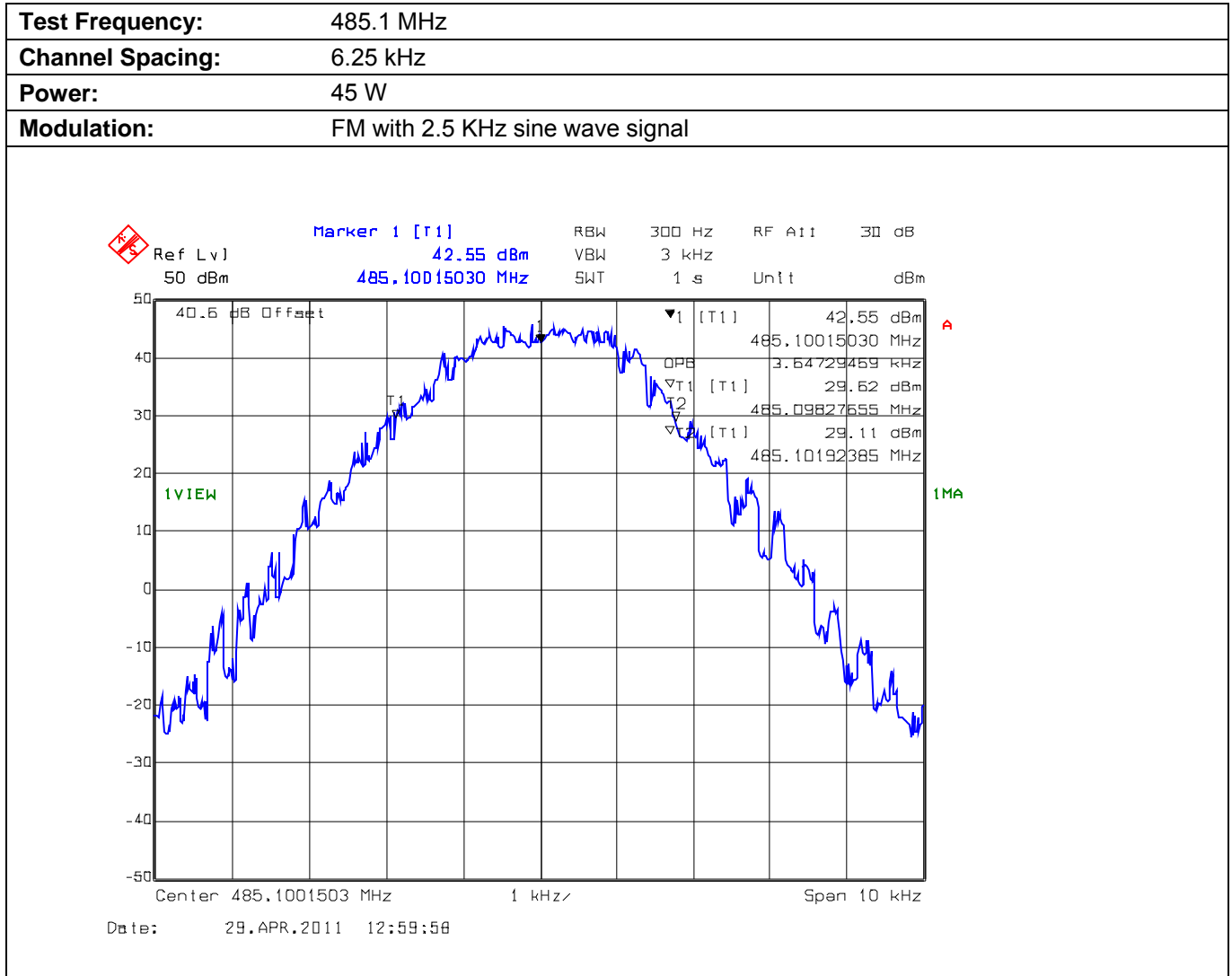
File #: ICOM-271FCC90

May 17, 2011

All test results contained in this engineering test report are traceable to National Institute of Standards and Technology (NIST)



Plot 5.9.4.1.5. Occupied Bandwidth



**ULTRATECH GROUP OF LABS**

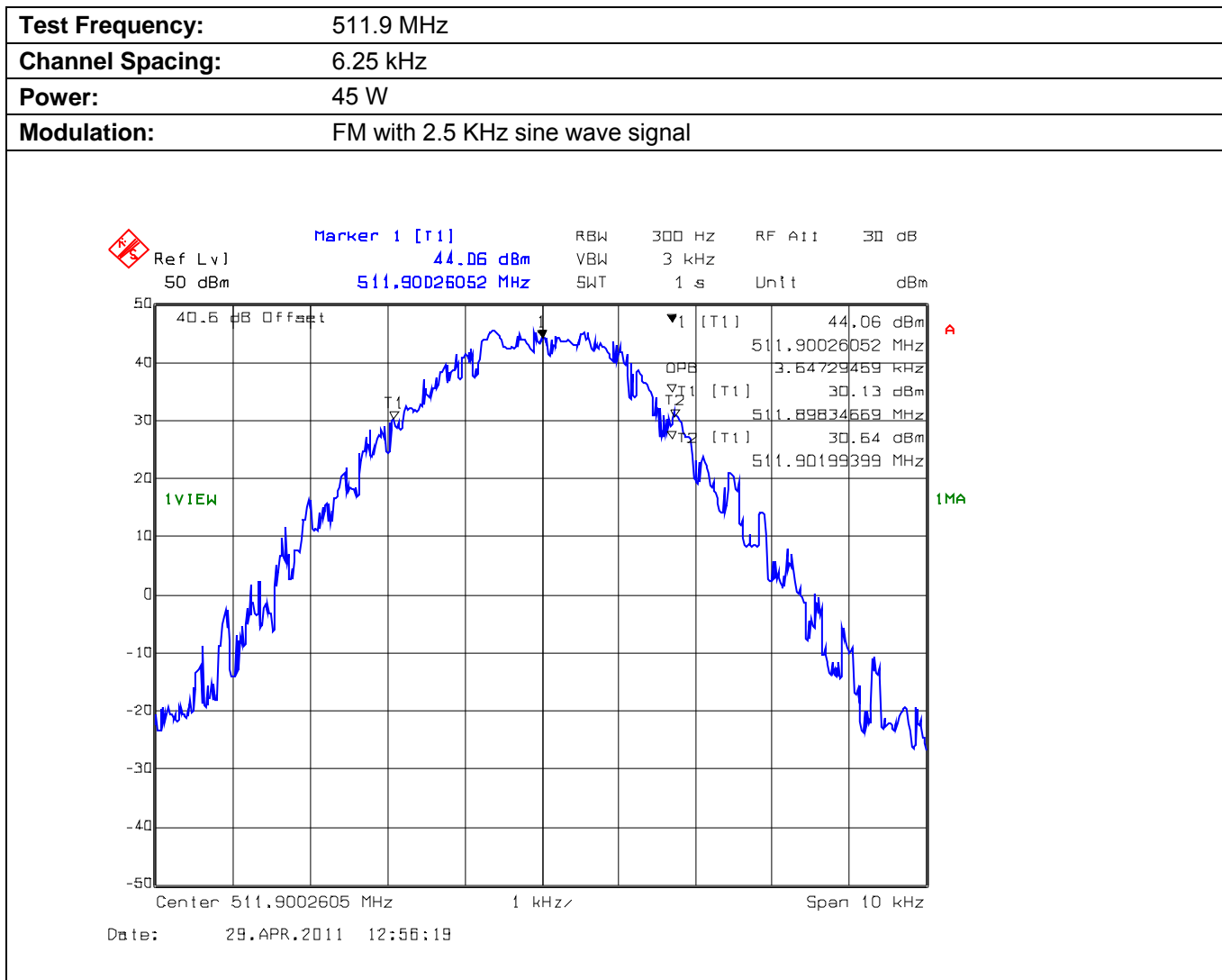
3000 Bristol Circle, Oakville, Ontario, Canada L6H 6G4  
 Tel. #: 905-829-1570, Fax. #: 905-829-8050, Email: [vic@ultratech-labs.com](mailto:vic@ultratech-labs.com), Website: <http://www.ultratech-labs.com>

File #: ICOM-271FCC90

May 17, 2011

All test results contained in this engineering test report are traceable to National Institute of Standards and Technology (NIST)

Plot 5.9.4.1.6. Occupied Bandwidth



**ULTRATECH GROUP OF LABS**

3000 Bristol Circle, Oakville, Ontario, Canada L6H 6G4  
 Tel. #: 905-829-1570, Fax. #: 905-829-8050, Email: [vic@ultratech-labs.com](mailto:vic@ultratech-labs.com), Website: <http://www.ultratech-labs.com>

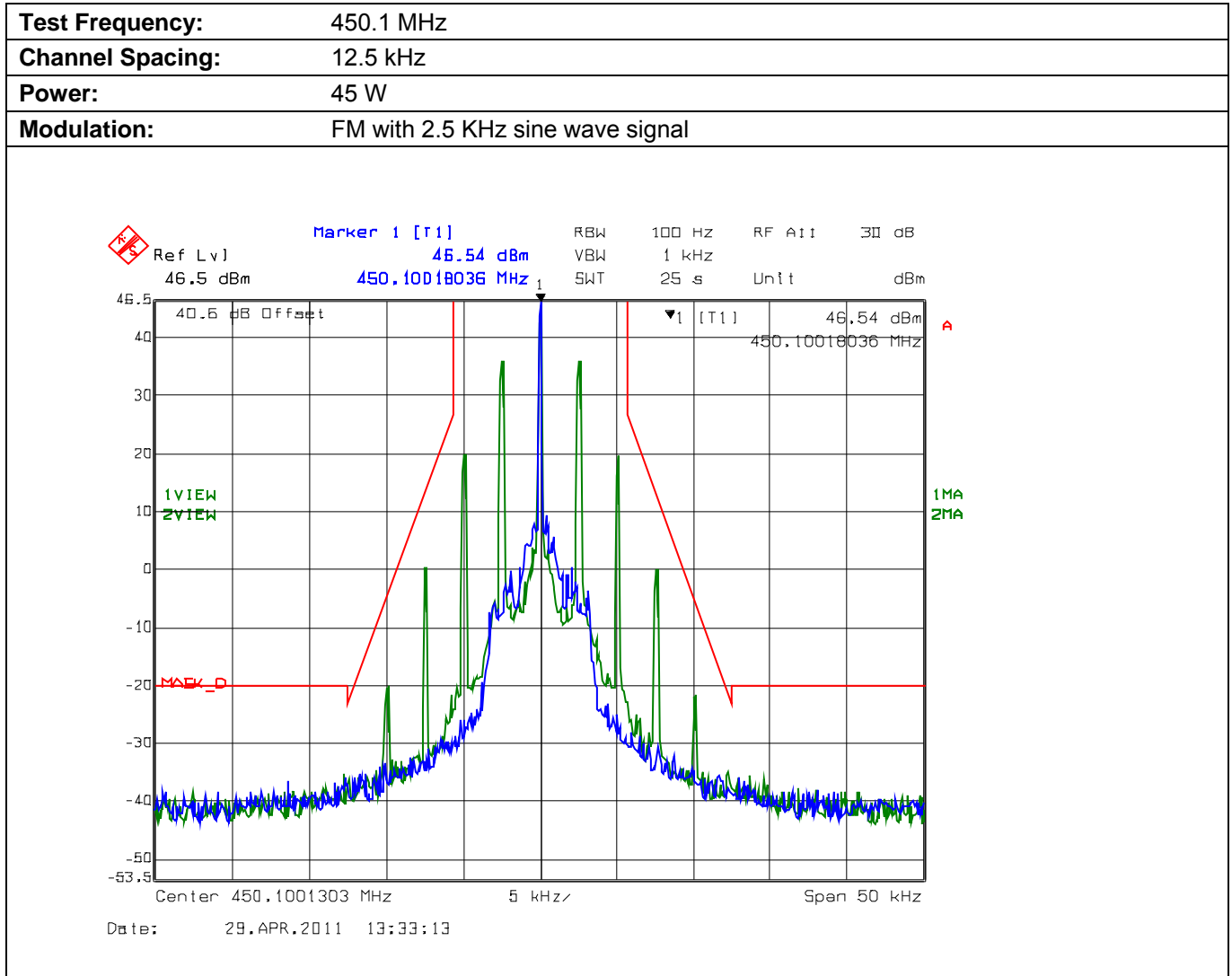
File #: ICOM-271FCC90

May 17, 2011

All test results contained in this engineering test report are traceable to National Institute of Standards and Technology (NIST)

5.9.4.2. Emission Mask D

Plot 5.9.4.2.1. Emission Mask D, High Power



**ULTRATECH GROUP OF LABS**

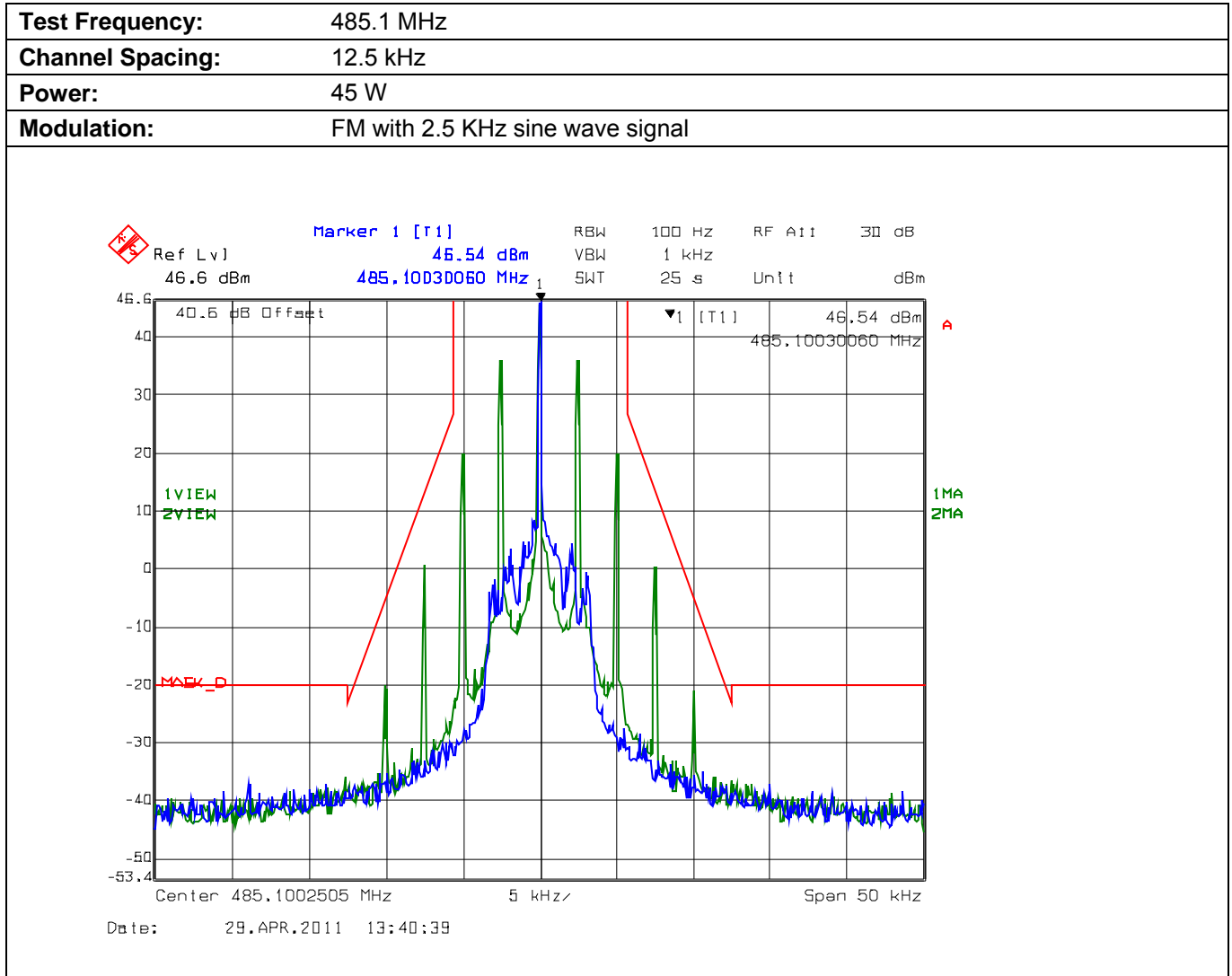
3000 Bristol Circle, Oakville, Ontario, Canada L6H 6G4  
 Tel. #: 905-829-1570, Fax. #: 905-829-8050, Email: [vic@ultratech-labs.com](mailto:vic@ultratech-labs.com), Website: <http://www.ultratech-labs.com>

File #: ICOM-271FCC90

May 17, 2011

All test results contained in this engineering test report are traceable to National Institute of Standards and Technology (NIST)

Plot 5.9.4.2.2. Emission Mask D, High Power



**ULTRATECH GROUP OF LABS**

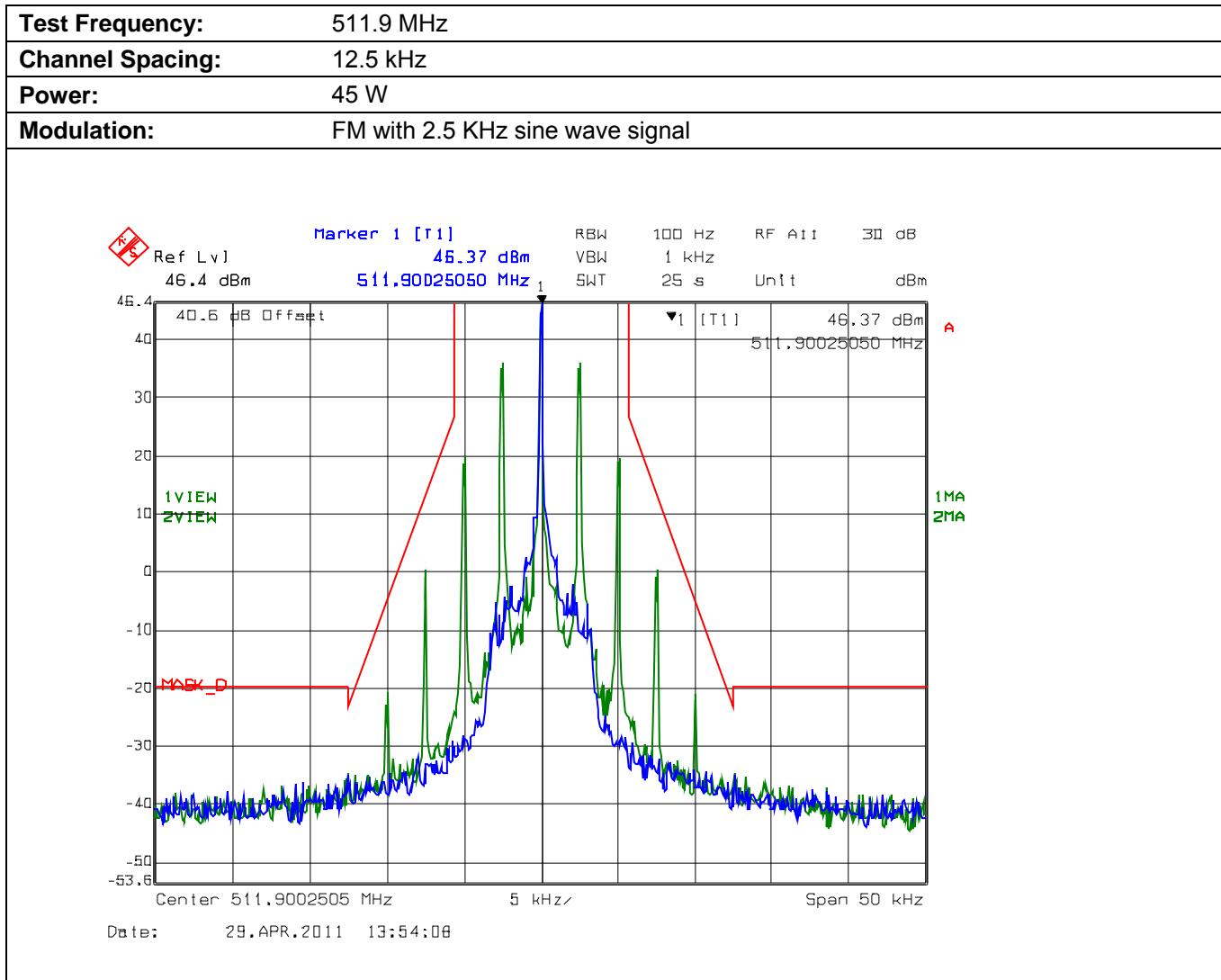
3000 Bristol Circle, Oakville, Ontario, Canada L6H 6G4  
 Tel. #: 905-829-1570, Fax. #: 905-829-8050, Email: [vic@ultratech-labs.com](mailto:vic@ultratech-labs.com), Website: <http://www.ultratech-labs.com>

File #: ICOM-271FCC90

May 17, 2011

All test results contained in this engineering test report are traceable to National Institute of Standards and Technology (NIST)

Plot 5.9.4.2.3. Emission Mask D, High Power



**ULTRATECH GROUP OF LABS**

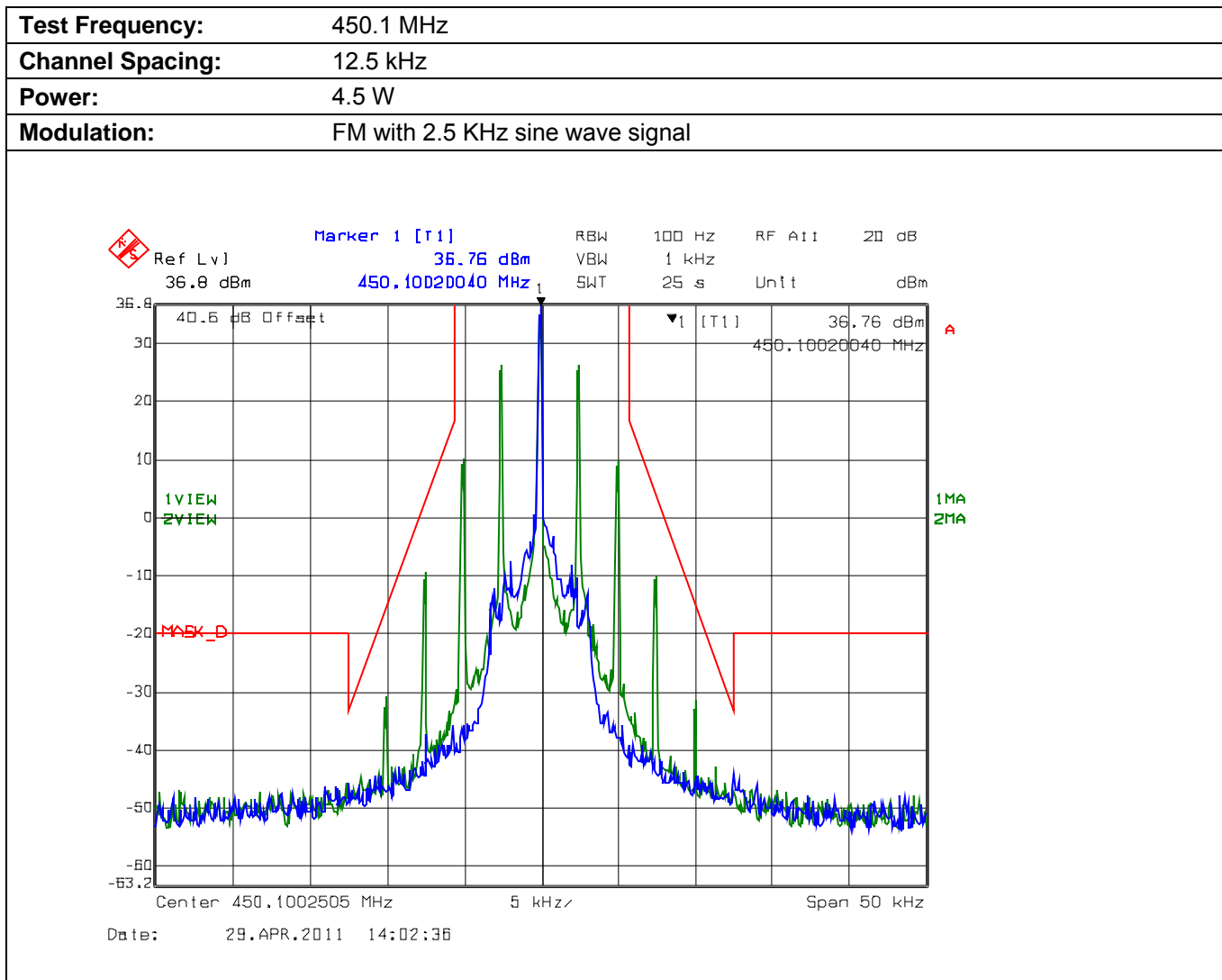
3000 Bristol Circle, Oakville, Ontario, Canada L6H 6G4  
 Tel. #: 905-829-1570, Fax. #: 905-829-8050, Email: [vic@ultratech-labs.com](mailto:vic@ultratech-labs.com), Website: <http://www.ultratech-labs.com>

File #: ICOM-271FCC90

May 17, 2011

All test results contained in this engineering test report are traceable to National Institute of Standards and Technology (NIST)

Plot 5.9.4.2.4. Emission Mask D, Low Power



ULTRATECH GROUP OF LABS

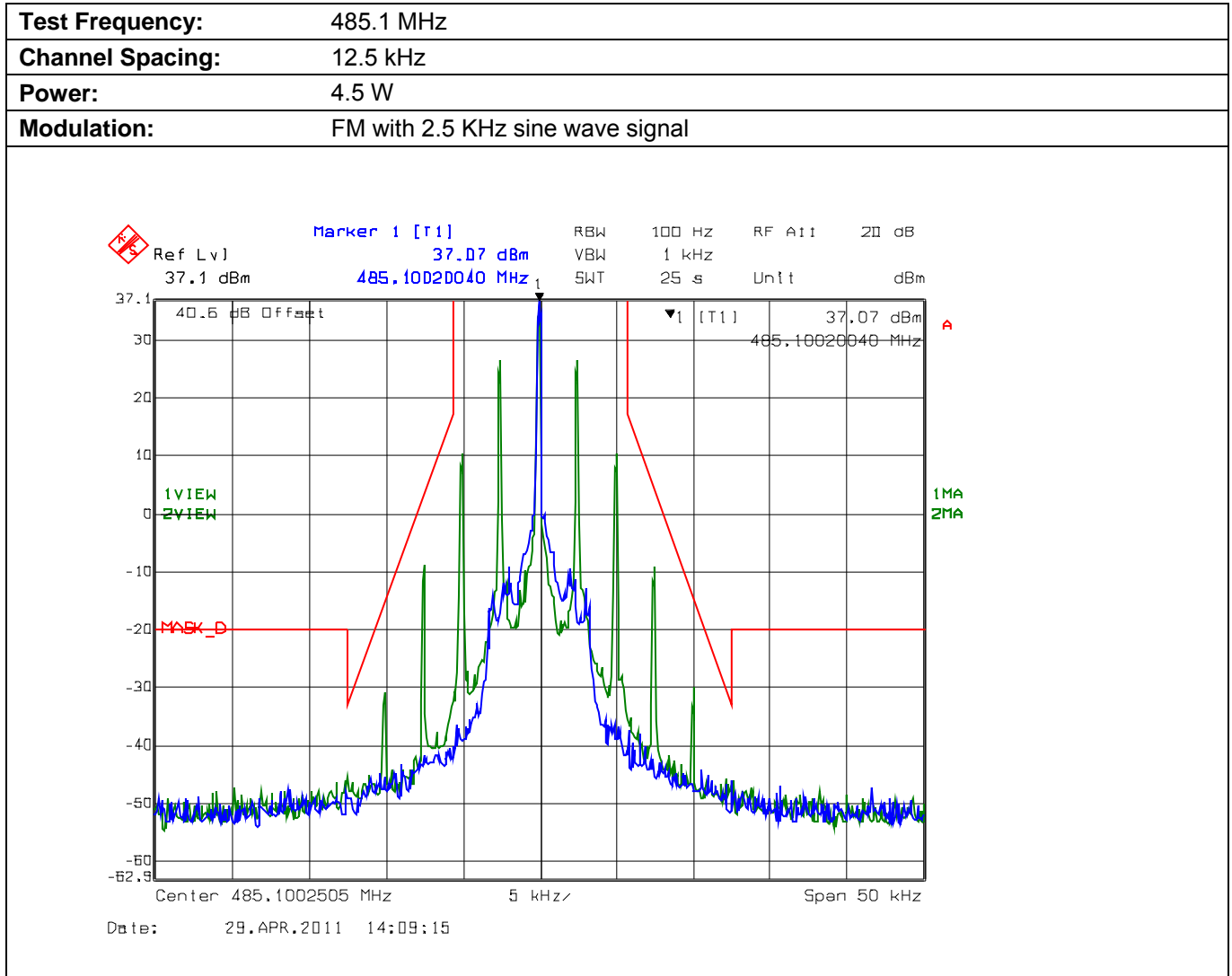
3000 Bristol Circle, Oakville, Ontario, Canada L6H 6G4  
 Tel. #: 905-829-1570, Fax. #: 905-829-8050, Email: [vic@ultratech-labs.com](mailto:vic@ultratech-labs.com), Website: <http://www.ultratech-labs.com>

File #: ICOM-271FCC90

May 17, 2011

All test results contained in this engineering test report are traceable to National Institute of Standards and Technology (NIST)

Plot 5.9.4.2.5. Emission Mask D, Low Power



**ULTRATECH GROUP OF LABS**

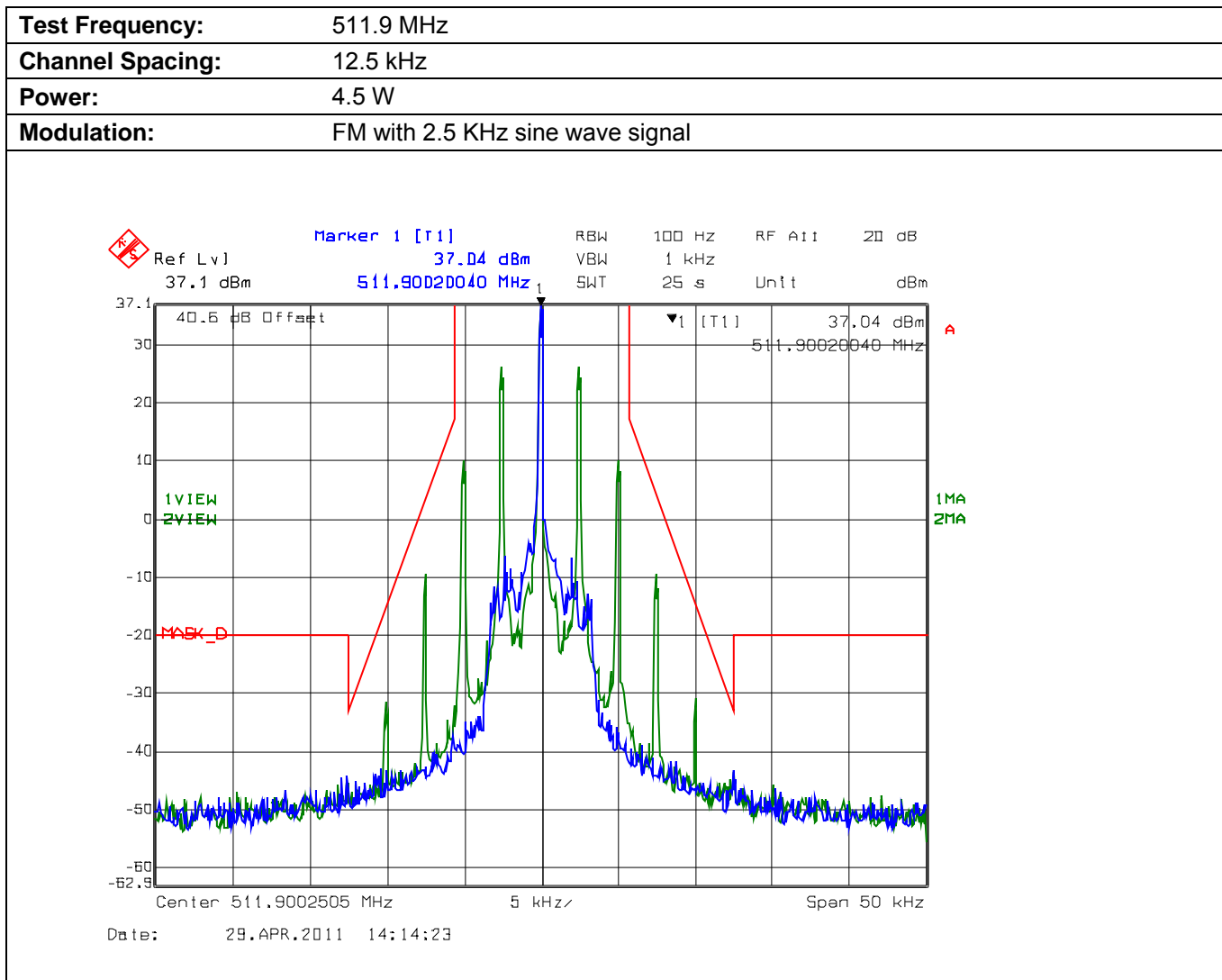
3000 Bristol Circle, Oakville, Ontario, Canada L6H 6G4  
 Tel. #: 905-829-1570, Fax. #: 905-829-8050, Email: [vic@ultratech-labs.com](mailto:vic@ultratech-labs.com), Website: <http://www.ultratech-labs.com>

File #: ICOM-271FCC90

May 17, 2011

All test results contained in this engineering test report are traceable to National Institute of Standards and Technology (NIST)

Plot 5.9.4.2.6. Emission Mask D, Low Power



**ULTRATECH GROUP OF LABS**

3000 Bristol Circle, Oakville, Ontario, Canada L6H 6G4  
 Tel. #: 905-829-1570, Fax. #: 905-829-8050, Email: [vic@ultratech-labs.com](mailto:vic@ultratech-labs.com), Website: <http://www.ultratech-labs.com>

File #: ICOM-271FCC90

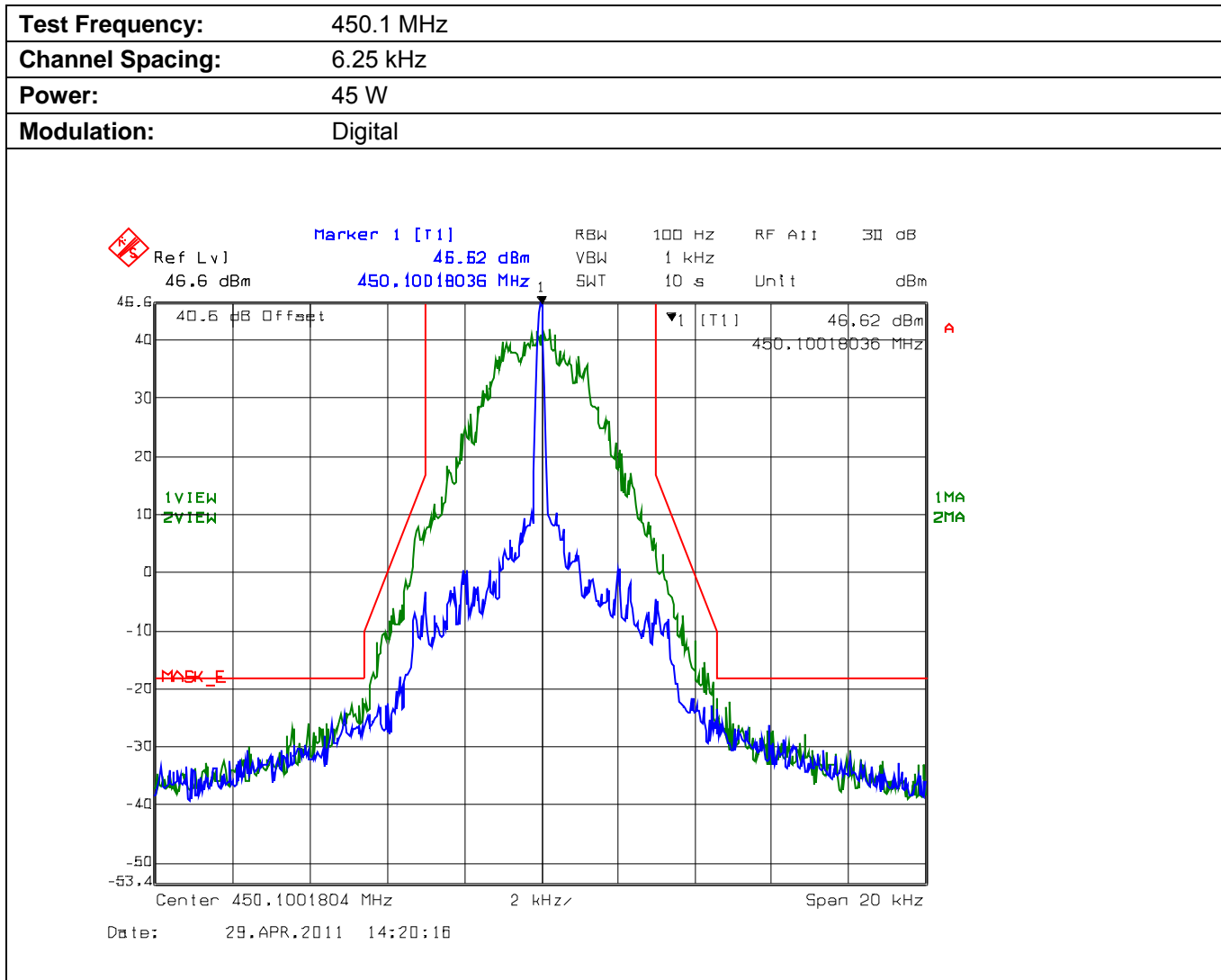
May 17, 2011

All test results contained in this engineering test report are traceable to National Institute of Standards and Technology (NIST)



5.9.4.3. Emission Mask E

Plot 5.9.4.3.1. Emission Mask E, High Power



**ULTRATECH GROUP OF LABS**

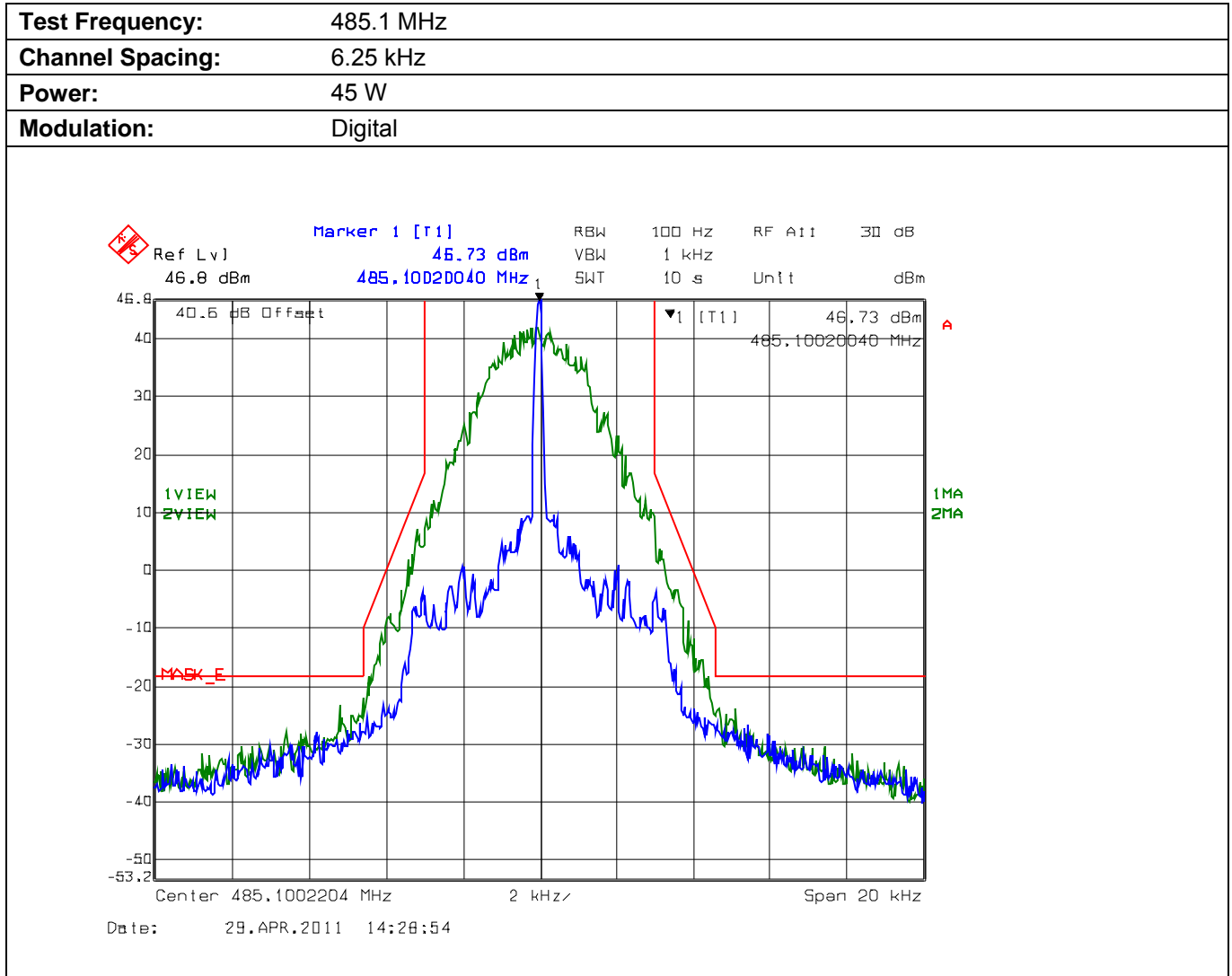
3000 Bristol Circle, Oakville, Ontario, Canada L6H 6G4  
 Tel. #: 905-829-1570, Fax. #: 905-829-8050, Email: [vic@ultratech-labs.com](mailto:vic@ultratech-labs.com), Website: <http://www.ultratech-labs.com>

File #: ICOM-271FCC90

May 17, 2011

All test results contained in this engineering test report are traceable to National Institute of Standards and Technology (NIST)

Plot 5.9.4.3.2. Emission Mask E, High Power



**ULTRATECH GROUP OF LABS**

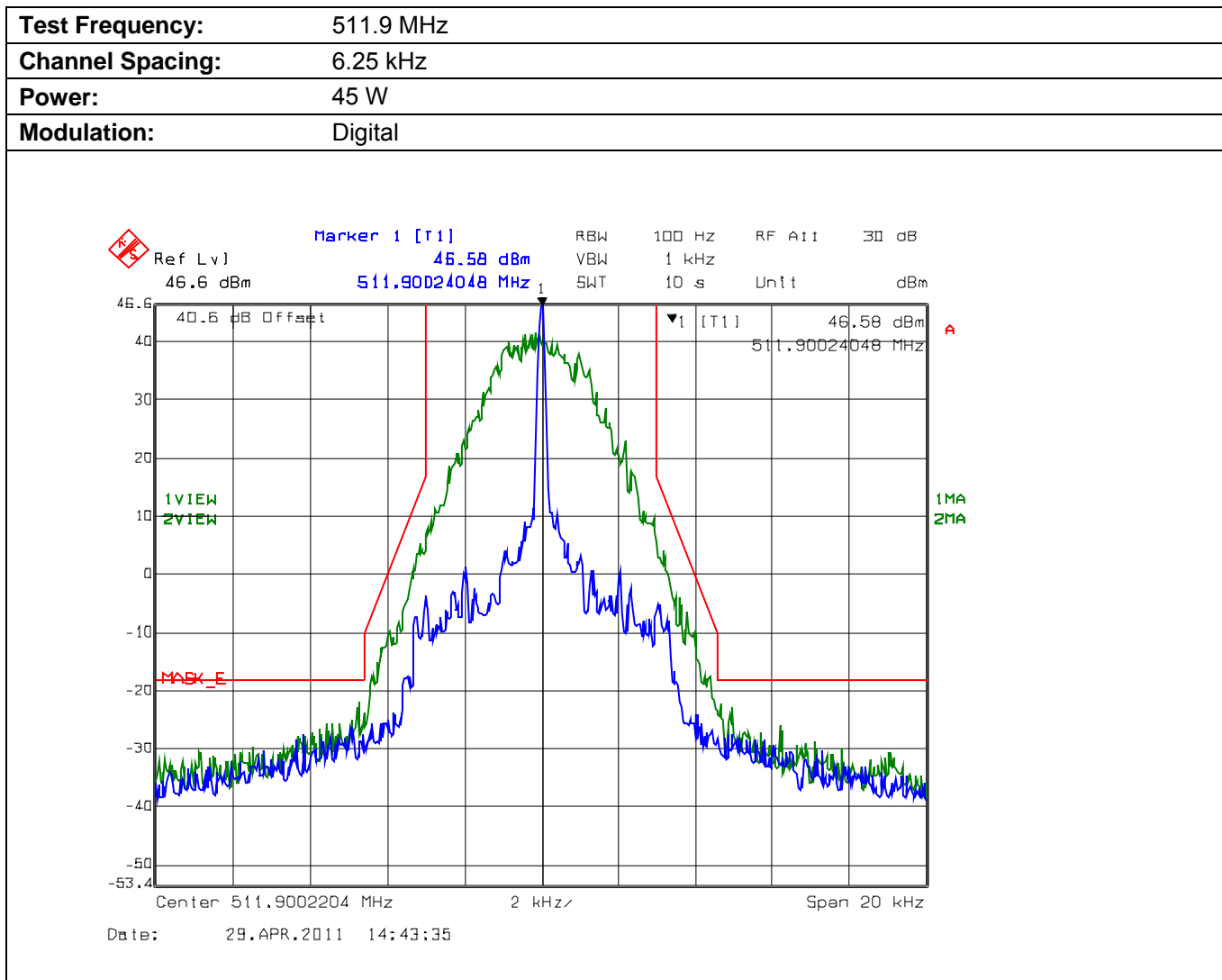
3000 Bristol Circle, Oakville, Ontario, Canada L6H 6G4  
 Tel. #: 905-829-1570, Fax. #: 905-829-8050, Email: [vic@ultratech-labs.com](mailto:vic@ultratech-labs.com), Website: <http://www.ultratech-labs.com>

File #: ICOM-271FCC90

May 17, 2011

All test results contained in this engineering test report are traceable to National Institute of Standards and Technology (NIST)

Plot 5.9.4.3.3. Emission Mask E, High Power



ULTRATECH GROUP OF LABS

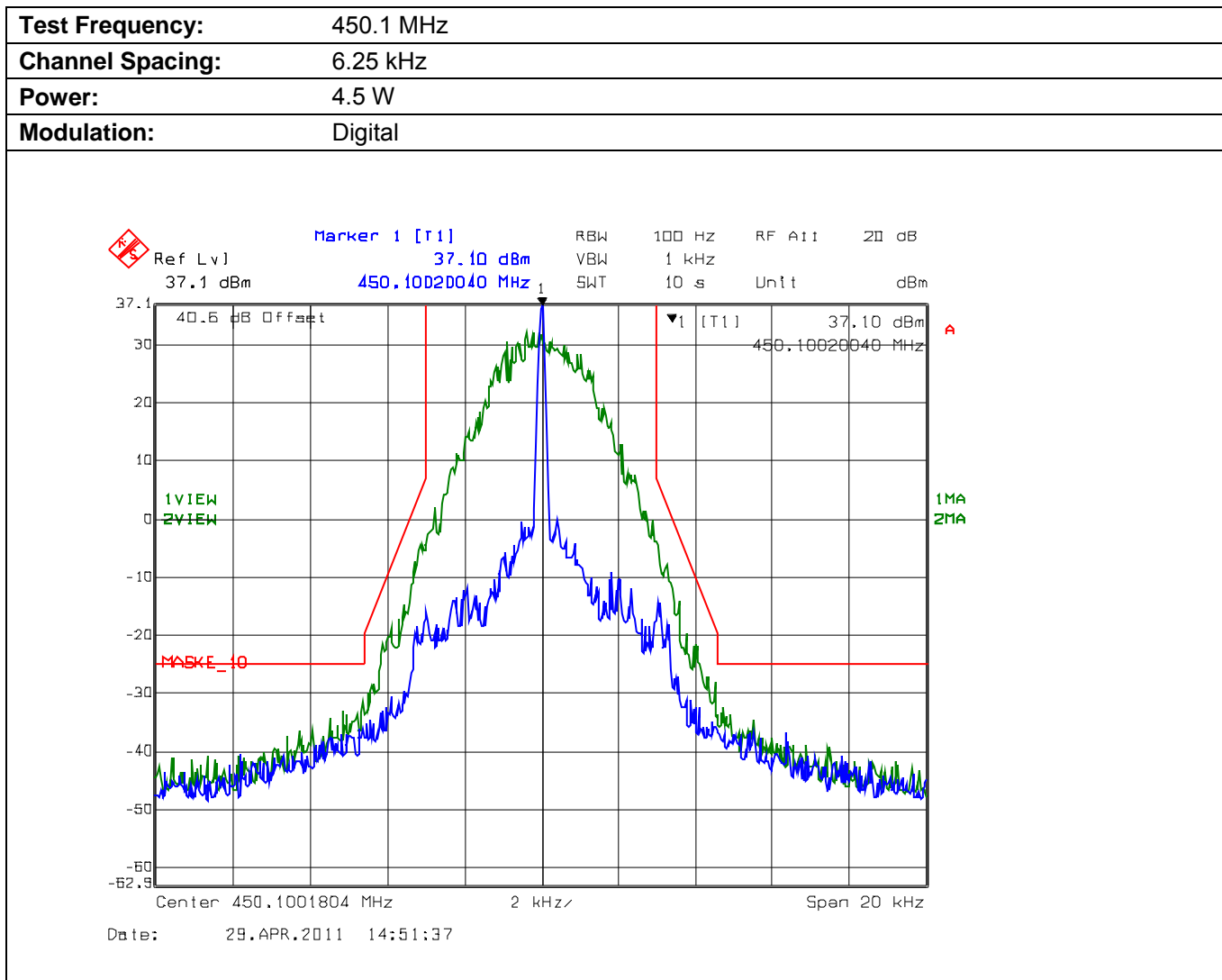
3000 Bristol Circle, Oakville, Ontario, Canada L6H 6G4  
 Tel. #: 905-829-1570, Fax. #: 905-829-8050, Email: [vic@ultratech-labs.com](mailto:vic@ultratech-labs.com), Website: <http://www.ultratech-labs.com>

File #: ICOM-271FCC90

May 17, 2011

All test results contained in this engineering test report are traceable to National Institute of Standards and Technology (NIST)

Plot 5.9.4.3.4. Emission Mask E, Low Power



**ULTRATECH GROUP OF LABS**

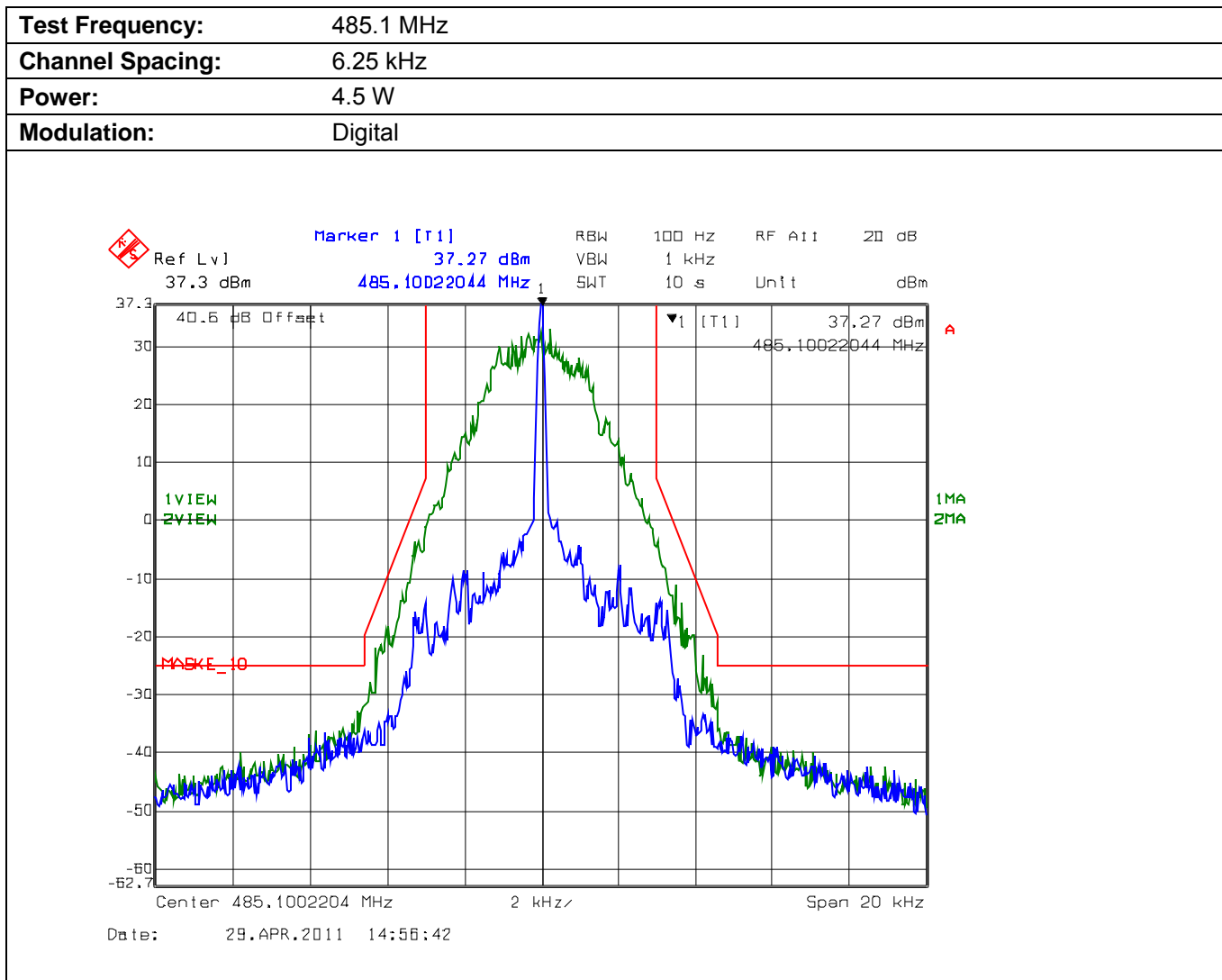
3000 Bristol Circle, Oakville, Ontario, Canada L6H 6G4  
 Tel. #: 905-829-1570, Fax. #: 905-829-8050, Email: [vic@ultratech-labs.com](mailto:vic@ultratech-labs.com), Website: <http://www.ultratech-labs.com>

File #: ICOM-271FCC90

May 17, 2011

All test results contained in this engineering test report are traceable to National Institute of Standards and Technology (NIST)

Plot 5.9.4.3.5. Emission Mask E, Low Power



**ULTRATECH GROUP OF LABS**

3000 Bristol Circle, Oakville, Ontario, Canada L6H 6G4  
 Tel. #: 905-829-1570, Fax. #: 905-829-8050, Email: [vic@ultratech-labs.com](mailto:vic@ultratech-labs.com), Website: <http://www.ultratech-labs.com>

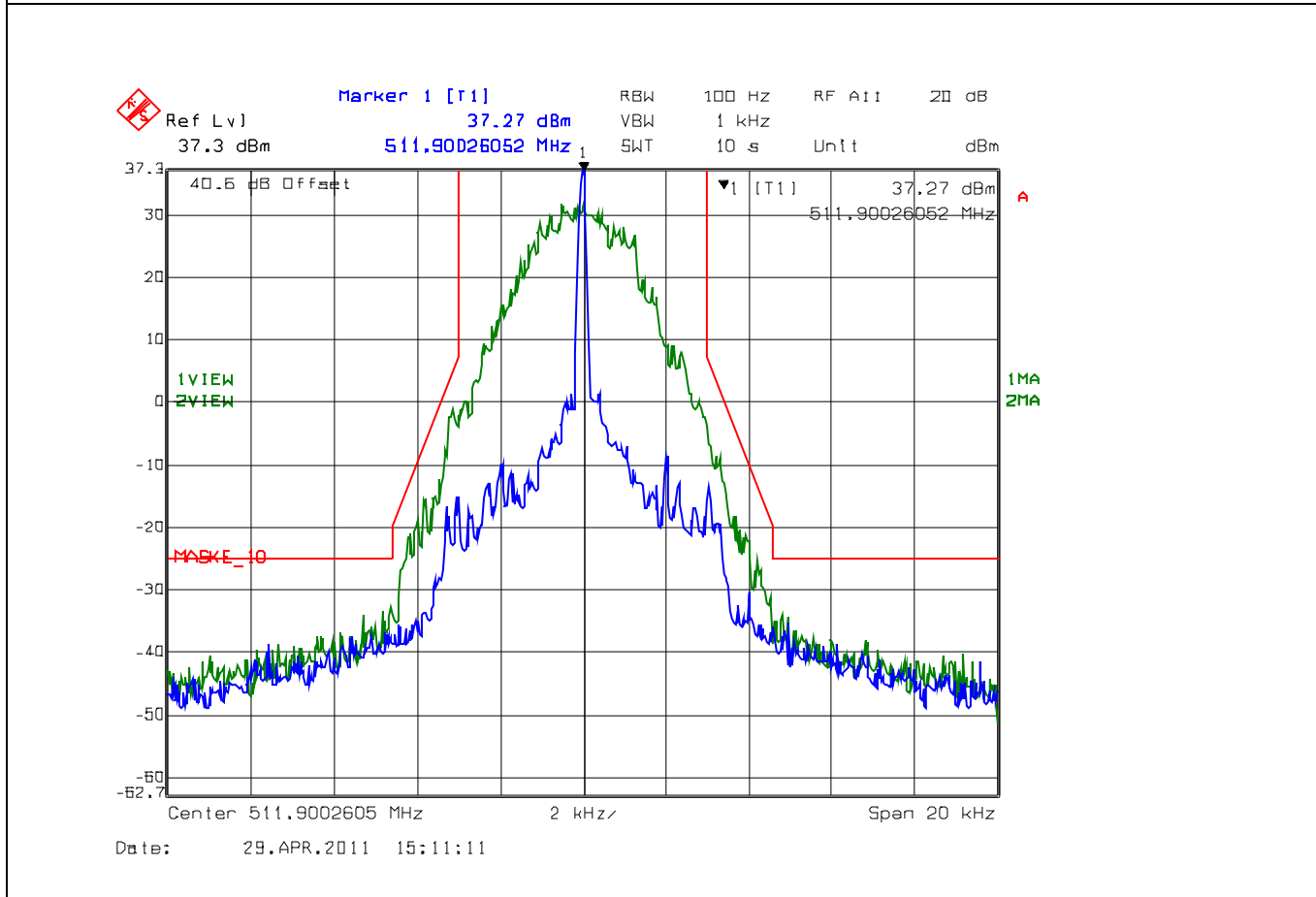
File #: ICOM-271FCC90

May 17, 2011

All test results contained in this engineering test report are traceable to National Institute of Standards and Technology (NIST)

Plot 5.9.4.3.6. Emission Mask E, Low Power

<b>Test Frequency:</b>	511.9 MHz
<b>Channel Spacing:</b>	6.25 kHz
<b>Power:</b>	4.5 W
<b>Modulation:</b>	Digital



ULTRATECH GROUP OF LABS

3000 Bristol Circle, Oakville, Ontario, Canada L6H 6G4  
 Tel. #: 905-829-1570, Fax. #: 905-829-8050, Email: [vic@ultratech-labs.com](mailto:vic@ultratech-labs.com), Website: <http://www.ultratech-labs.com>

File #: ICOM-271FCC90

May 17, 2011

All test results contained in this engineering test report are traceable to National Institute of Standards and Technology (NIST)

## 5.10. TRANSMITTER ANTENNA POWER SPURIOUS/HARMONIC CONDUCTED EMISSIONS [§§ 2.1051, 2.1057 & 90.210]

### 5.10.1. Limits

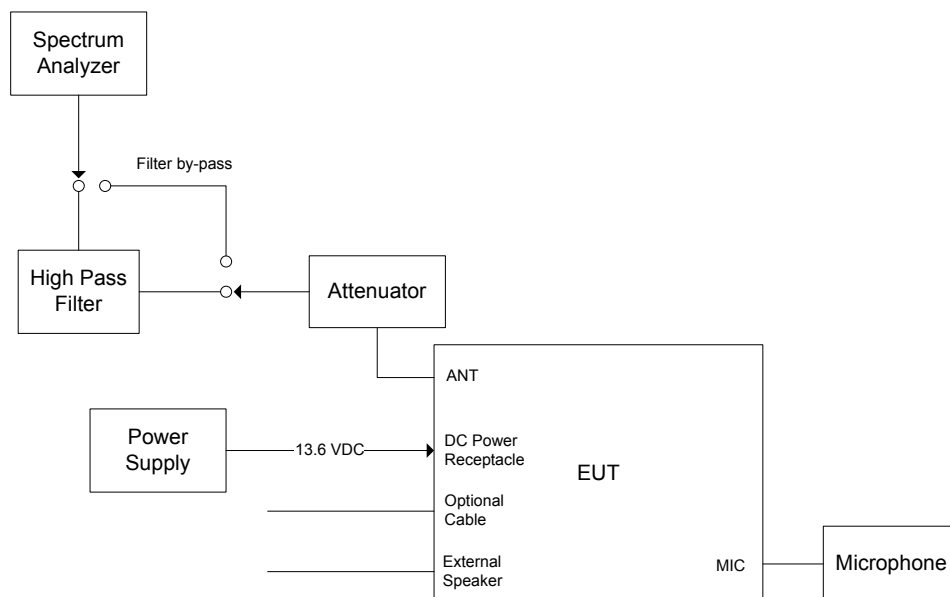
Emissions shall be attenuated below the mean output power of the transmitter as follows:

FCC Rules	Frequency Range	Attenuation Limit (dBc)
§ 90.210(d)	10 MHz to Lowest frequency of the radio to 10 <sup>th</sup> harmonic of the highest frequency of the radio	At least 50 + 10 log (P) dB or 70 dB, whichever is the lesser attenuation.
§ 90.210(e)	10 MHz to Lowest frequency of the radio to 10 <sup>th</sup> harmonic of the highest frequency of the radio	At least 55 + 10 log (P) or 65 dB, whichever is the lesser attenuation.

### 5.10.2. Method of Measurements

Refer to Section 8.5 of this report for measurement details

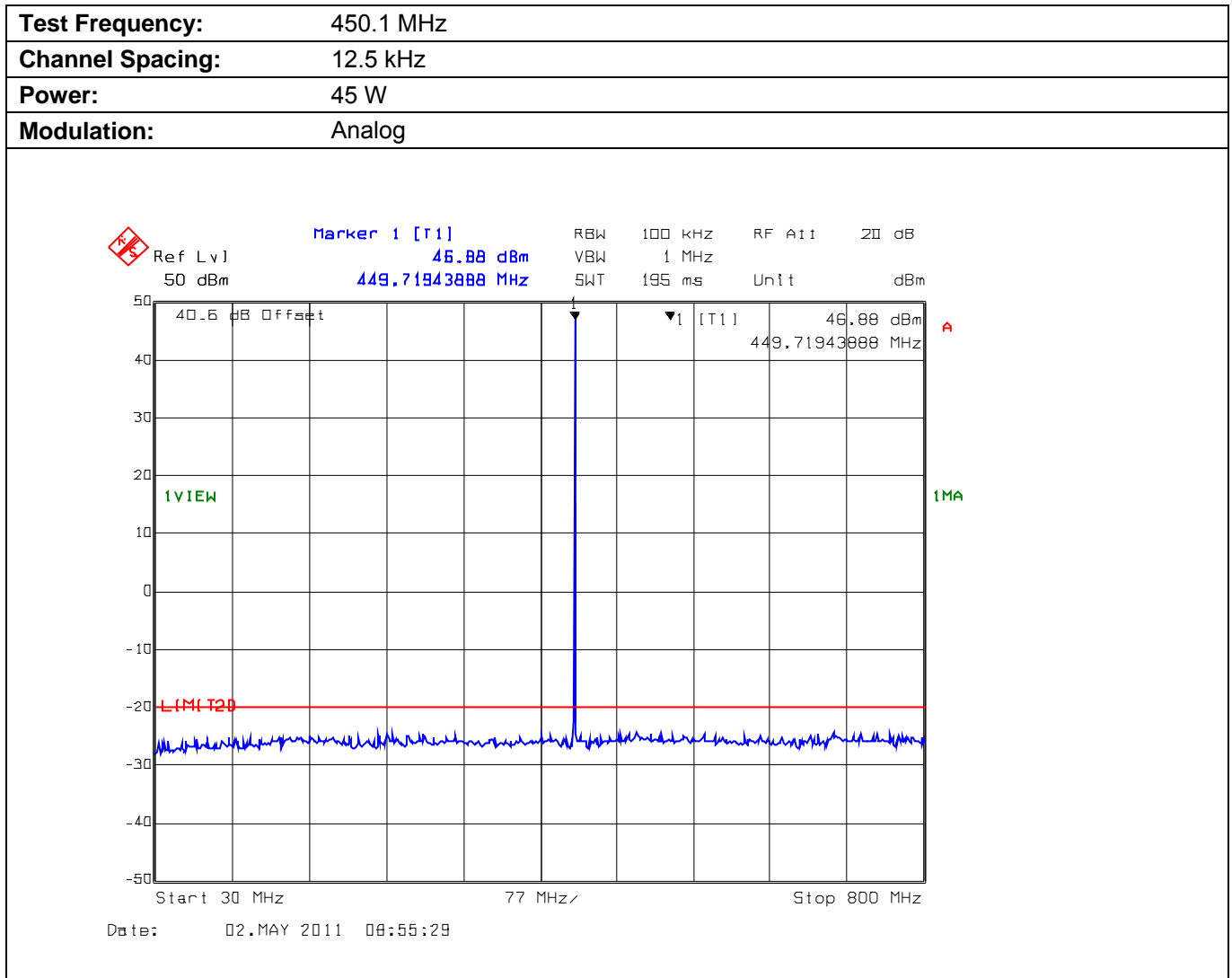
### 5.10.3. Test Arrangement



5.10.4. Test Data

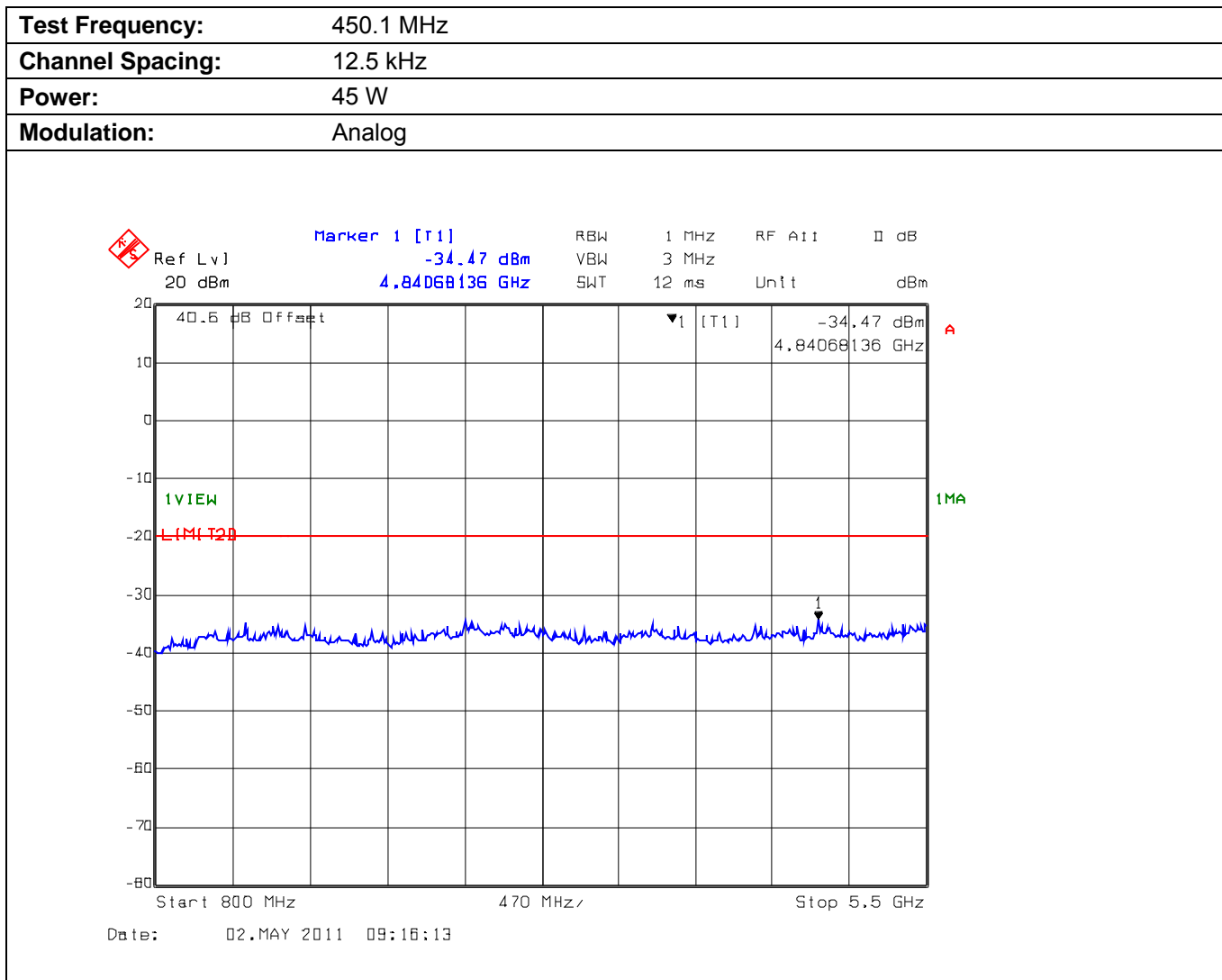
5.10.4.1. Near Lowest Frequency (450.1 MHz), 12.5 kHz Channel Spacing

Plot 5.10.4.1.1. Conducted Transmitter Spurious Emissions for 450.1 MHz, High Power, 30 MHz - 800 MHz





Plot 5.10.4.1.2. Conducted Transmitter Spurious Emissions for 450.1 MHz, High Power, 800 MHz - 5.5 GHz



**ULTRATECH GROUP OF LABS**

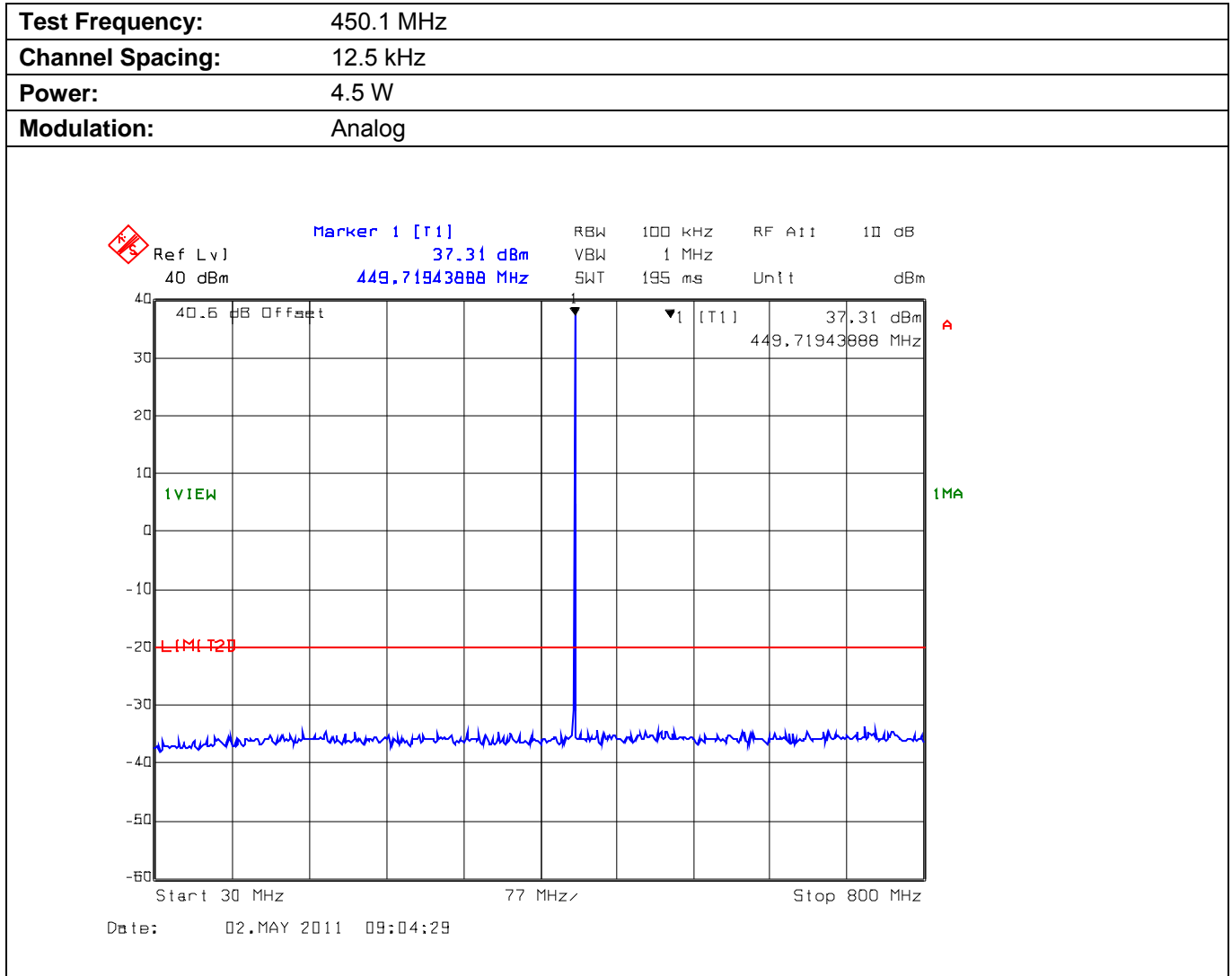
3000 Bristol Circle, Oakville, Ontario, Canada L6H 6G4  
 Tel. #: 905-829-1570, Fax. #: 905-829-8050, Email: [vic@ultratech-labs.com](mailto:vic@ultratech-labs.com), Website: <http://www.ultratech-labs.com>

File #: ICOM-271FCC90

May 17, 2011

All test results contained in this engineering test report are traceable to National Institute of Standards and Technology (NIST)

**Plot 5.10.4.1.3.** Conducted Transmitter Spurious Emissions for 450.1 MHz, Low Power, 30 MHz - 800 MHz



**ULTRATECH GROUP OF LABS**

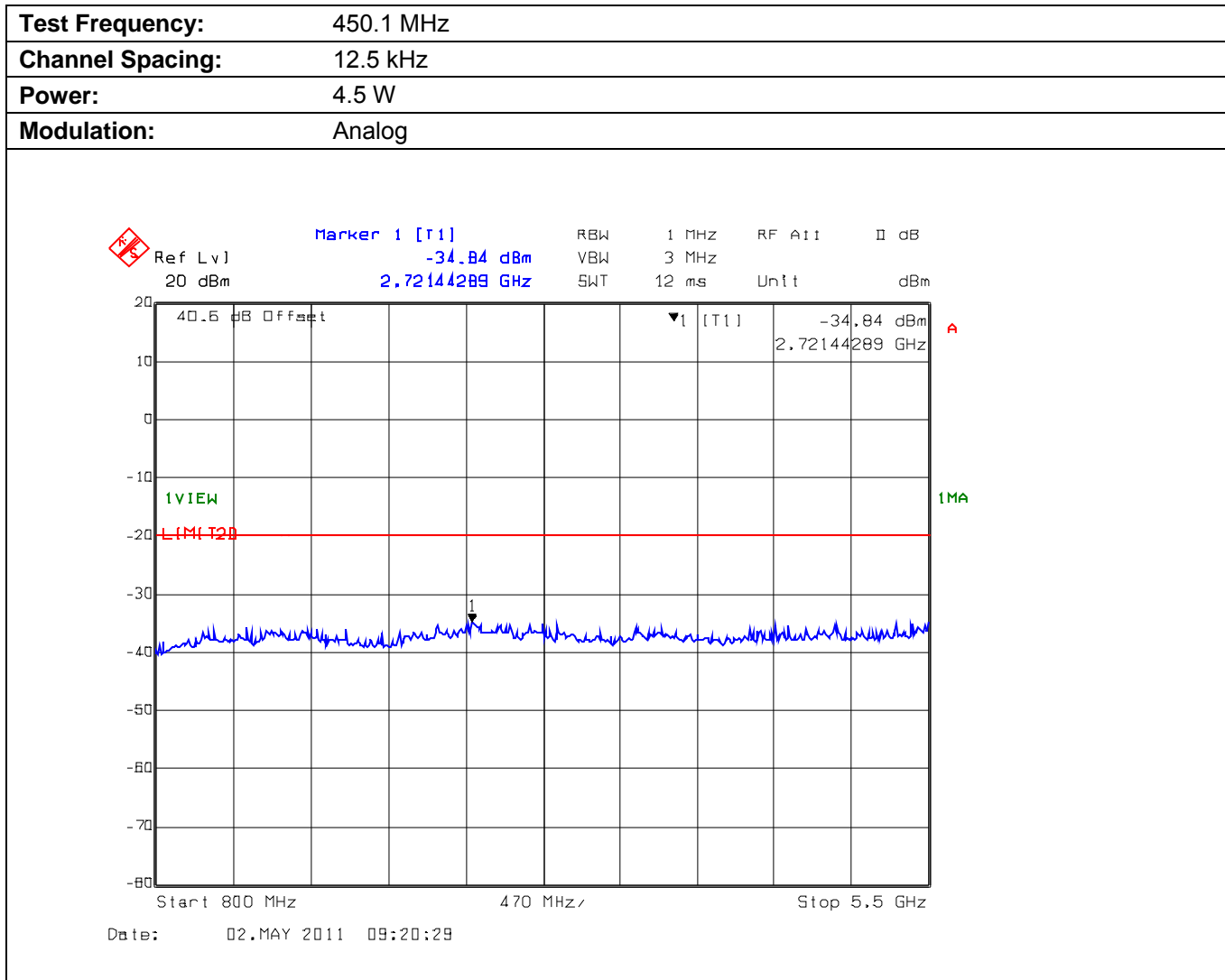
3000 Bristol Circle, Oakville, Ontario, Canada L6H 6G4  
 Tel. #: 905-829-1570, Fax. #: 905-829-8050, Email: [vic@ultratech-labs.com](mailto:vic@ultratech-labs.com), Website: <http://www.ultratech-labs.com>

File #: ICOM-271FCC90

May 17, 2011

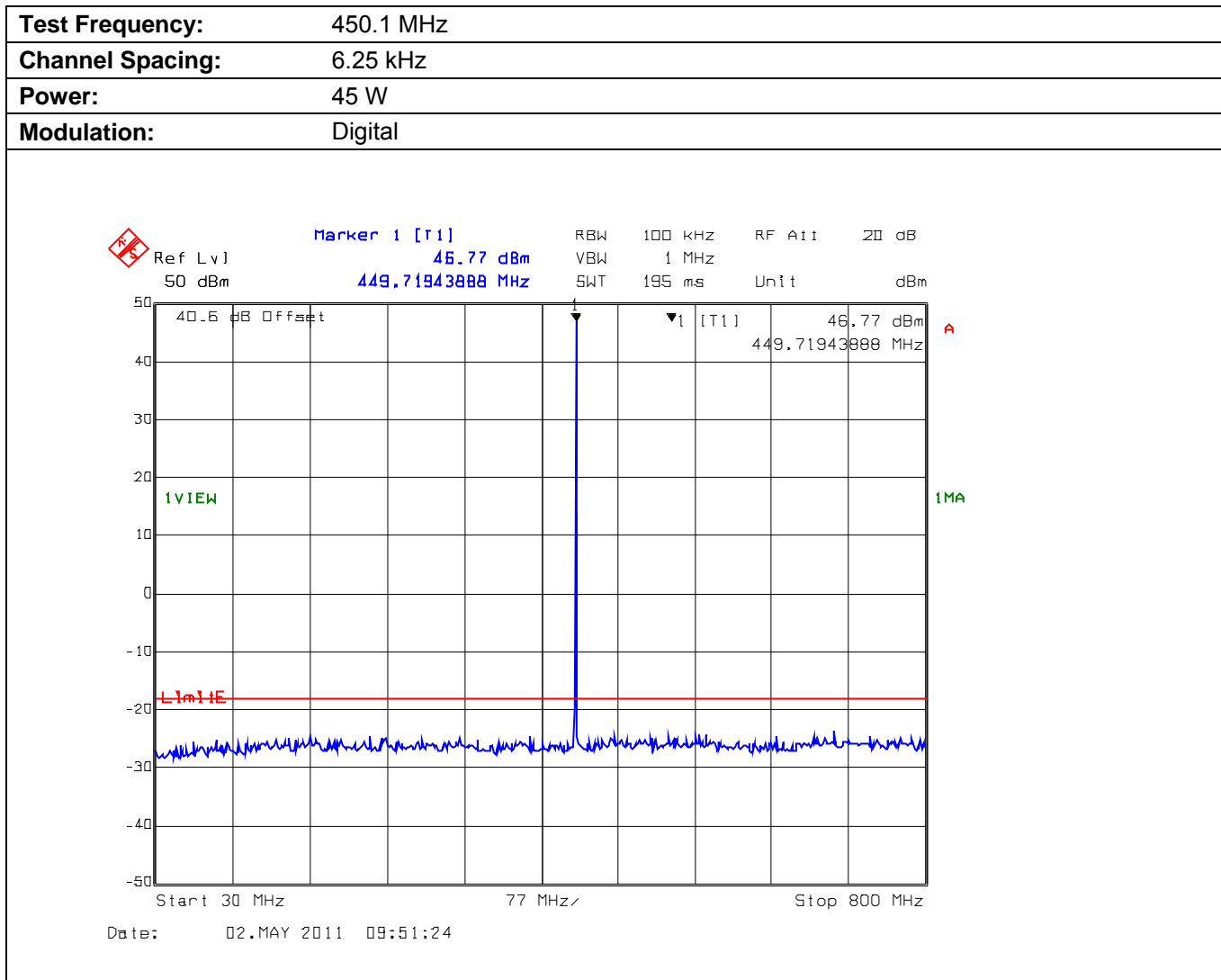
All test results contained in this engineering test report are traceable to National Institute of Standards and Technology (NIST)

Plot 5.10.4.1.4. Conducted Transmitter Spurious Emissions for 450.1 MHz, Low Power, 800 MHz - 5.5 GHz



5.10.4.2. Near Lowest Frequency (450.1 MHz), 6.25 kHz Channel Spacing

Plot 5.10.4.2.1. Conducted Transmitter Spurious Emissions for 450.1 MHz, High Power, 30 MHz - 800 MHz



**ULTRATECH GROUP OF LABS**

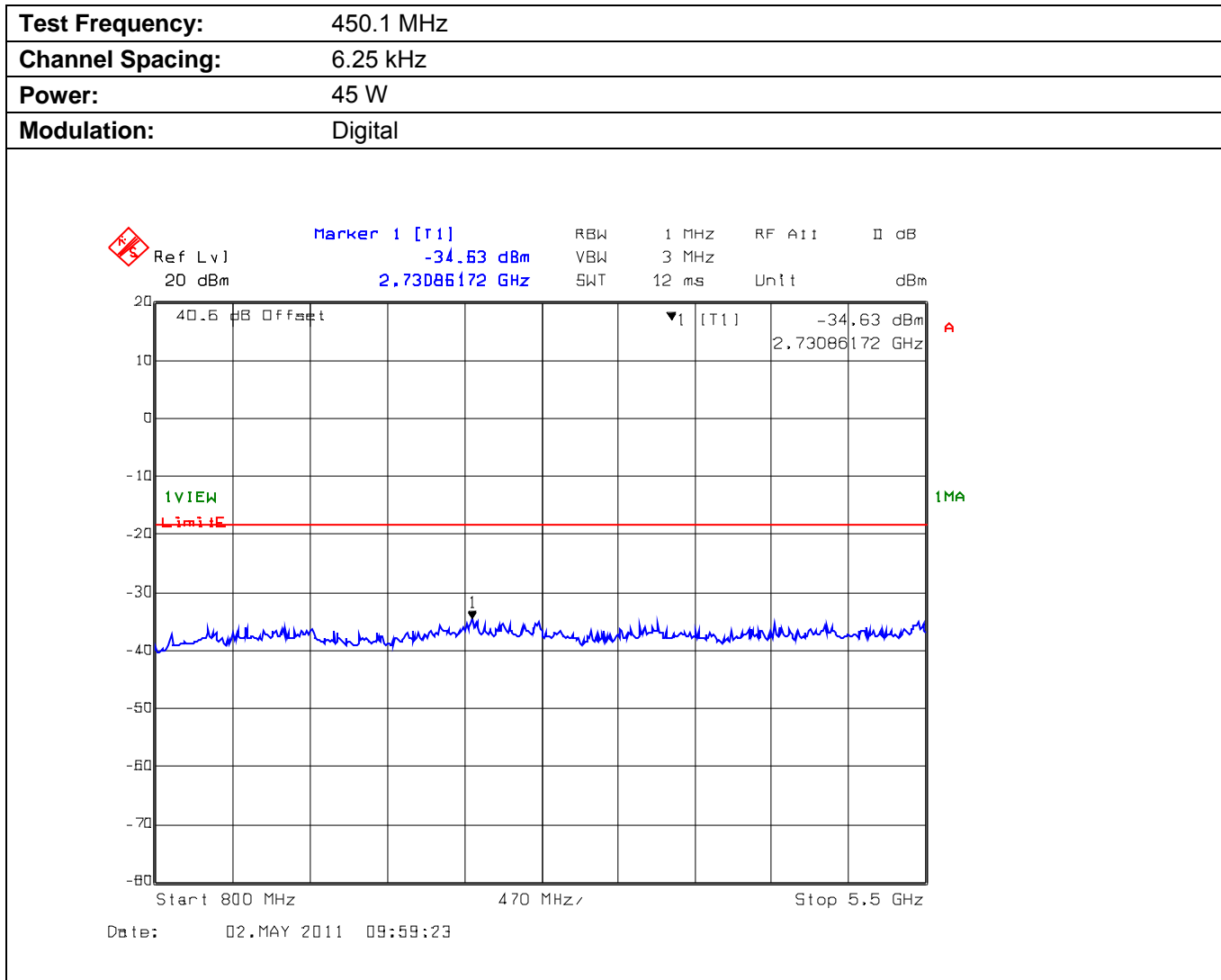
3000 Bristol Circle, Oakville, Ontario, Canada L6H 6G4  
 Tel. #: 905-829-1570, Fax. #: 905-829-8050, Email: [vic@ultratech-labs.com](mailto:vic@ultratech-labs.com), Website: <http://www.ultratech-labs.com>

File #: ICOM-271FCC90

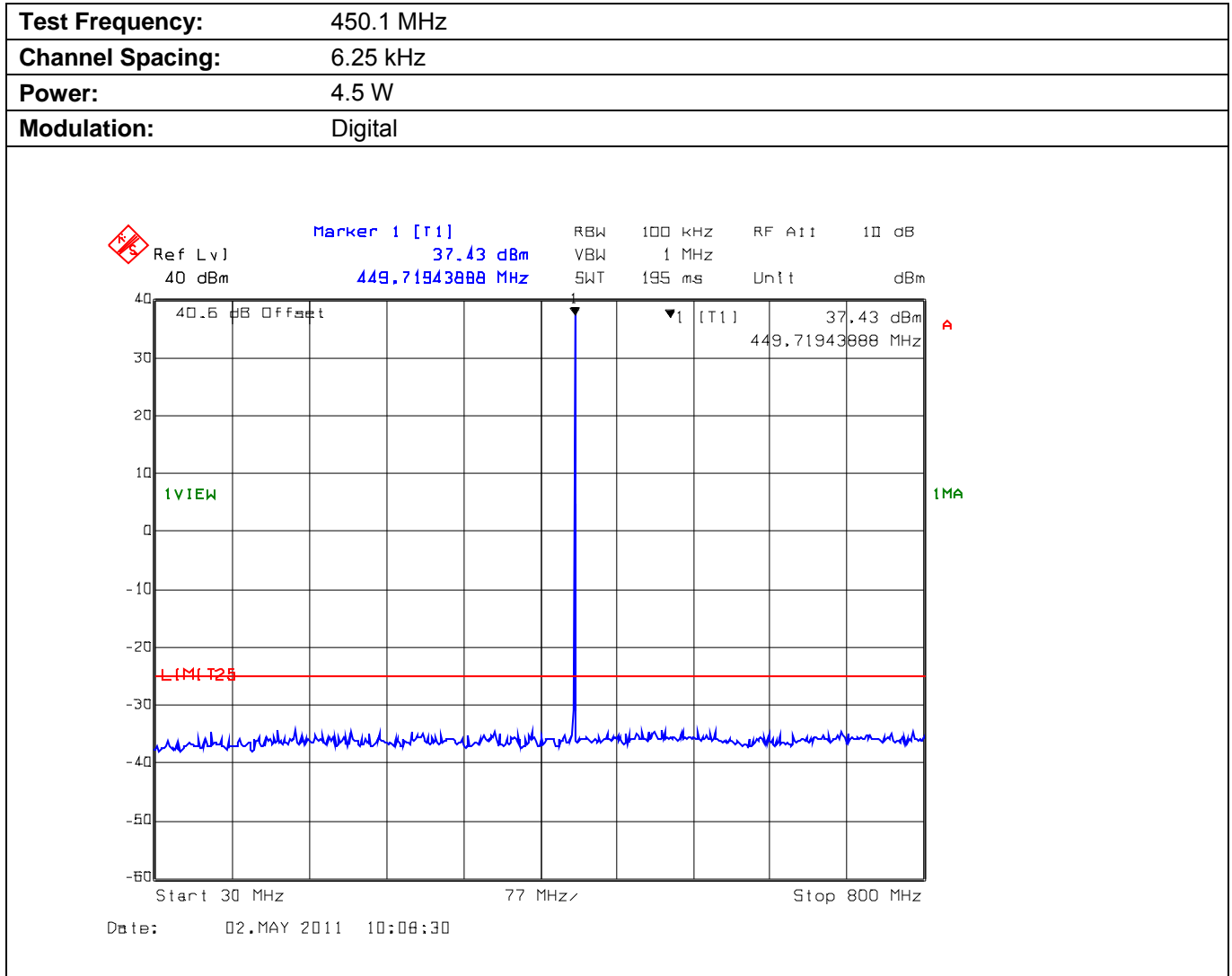
May 17, 2011

All test results contained in this engineering test report are traceable to National Institute of Standards and Technology (NIST)

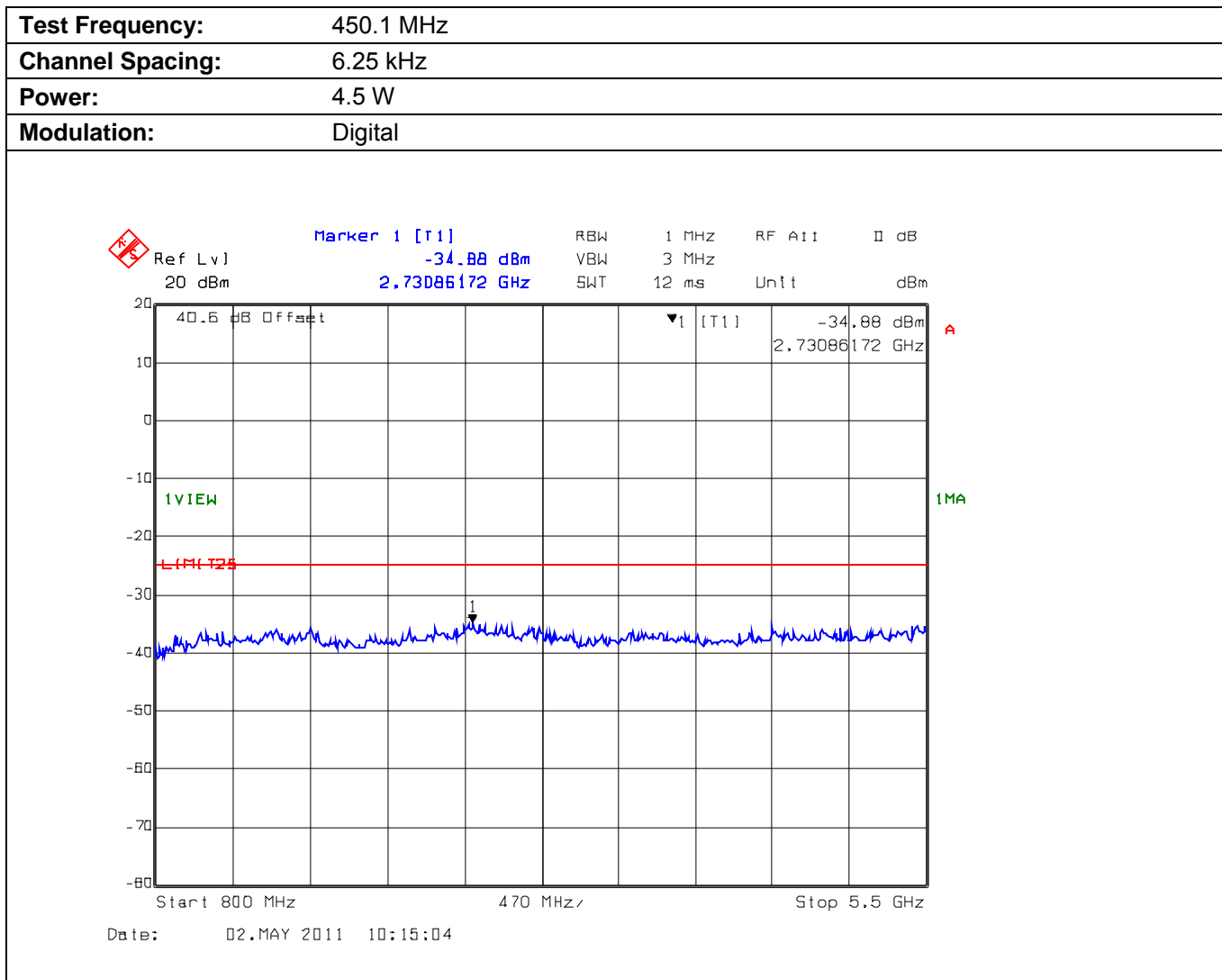
Plot 5.10.4.2.2. Conducted Transmitter Spurious Emissions for 450.1 MHz, High Power, 800 MHz - 5.5 GHz



Plot 5.10.4.2.3. Conducted Transmitter Spurious Emissions for 450.1 MHz, Low Power, 30 MHz - 800 MHz



Plot 5.10.4.2.4. Conducted Transmitter Spurious Emissions for 450.1 MHz, Low Power, 800 MHz - 5.5 GHz



**ULTRATECH GROUP OF LABS**

3000 Bristol Circle, Oakville, Ontario, Canada L6H 6G4  
 Tel. #: 905-829-1570, Fax. #: 905-829-8050, Email: [vic@ultratech-labs.com](mailto:vic@ultratech-labs.com), Website: <http://www.ultratech-labs.com>

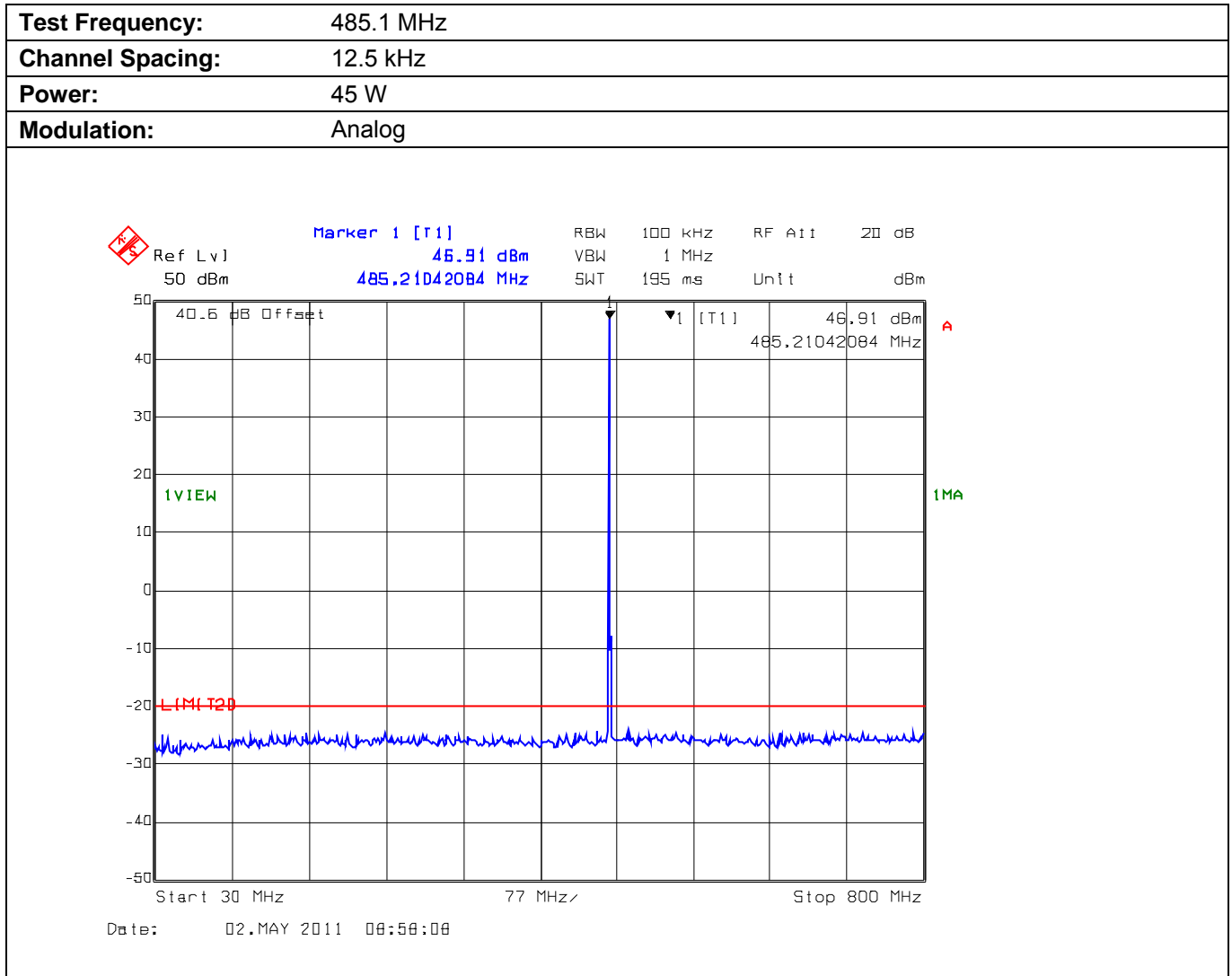
File #: ICOM-271FCC90

May 17, 2011

All test results contained in this engineering test report are traceable to National Institute of Standards and Technology (NIST)

5.10.4.3. Near Middle Frequency (485.1 MHz), 12.5 kHz Channel Spacing

Plot 5.10.4.3.1. Conducted Transmitter Spurious Emissions for 485.1 MHz, High Power, 30 MHz - 800 MHz



ULTRATECH GROUP OF LABS

3000 Bristol Circle, Oakville, Ontario, Canada L6H 6G4  
 Tel. #: 905-829-1570, Fax. #: 905-829-8050, Email: [vic@ultratech-labs.com](mailto:vic@ultratech-labs.com), Website: <http://www.ultratech-labs.com>

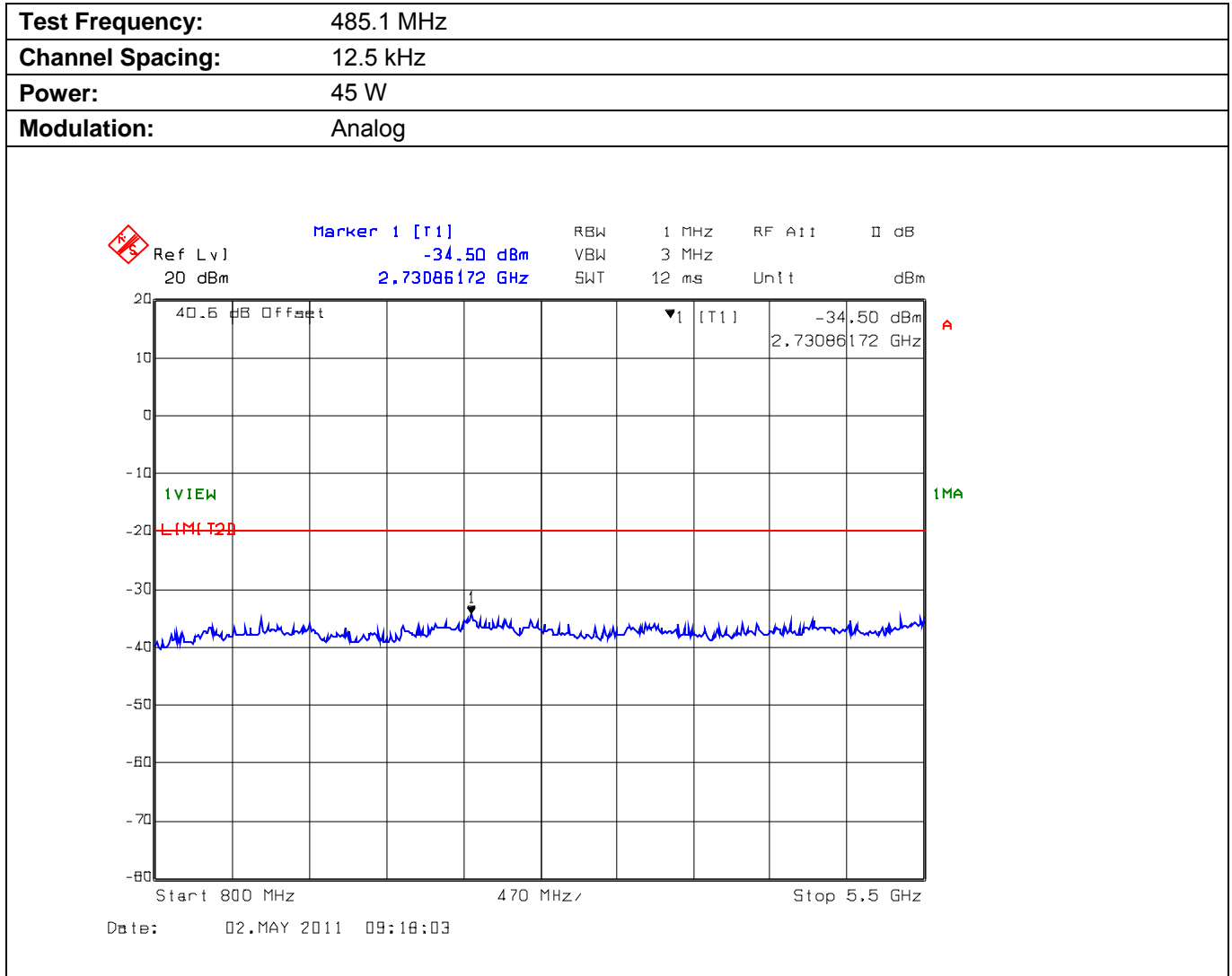
File #: ICOM-271FCC90

May 17, 2011

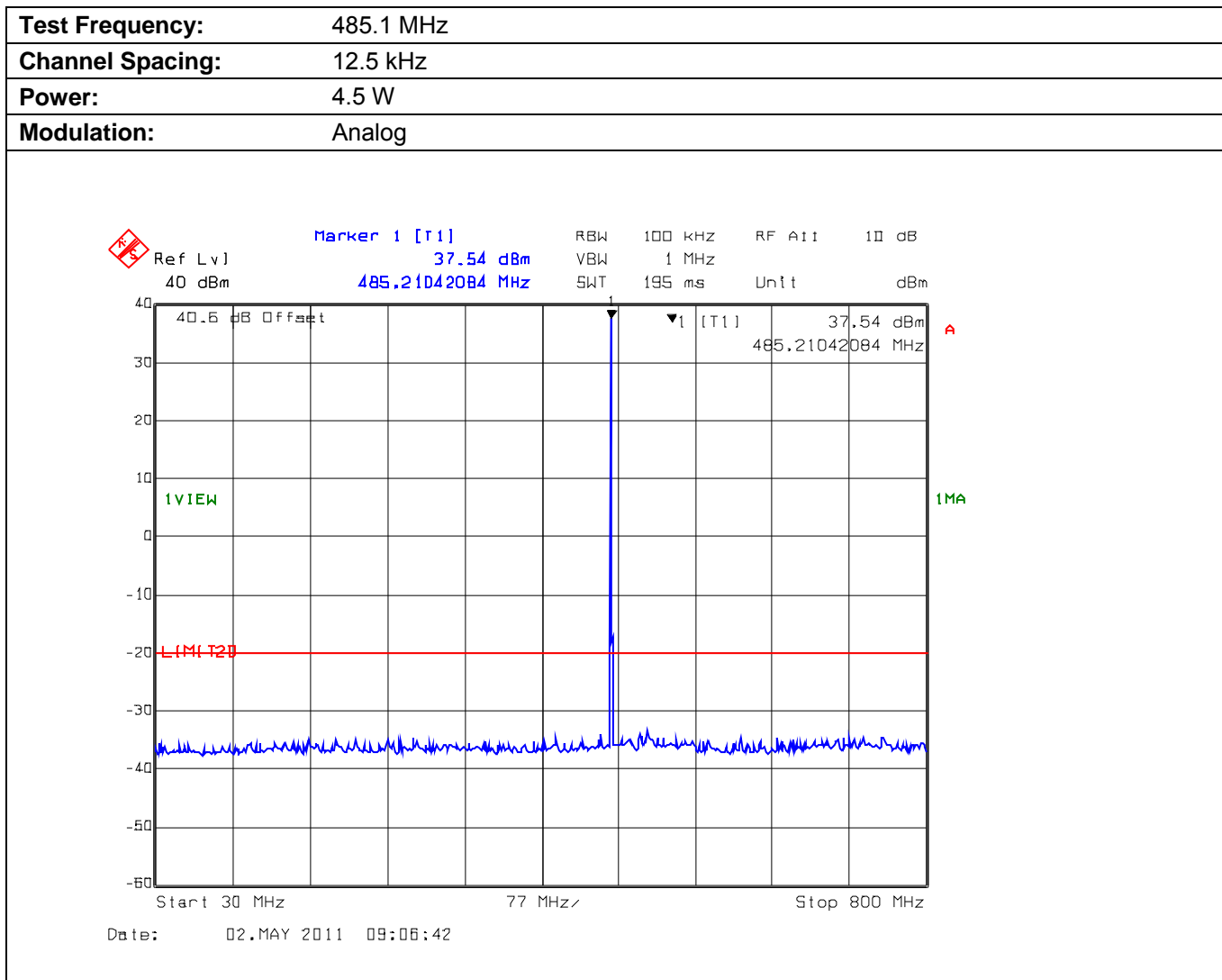
All test results contained in this engineering test report are traceable to National Institute of Standards and Technology (NIST)



Plot 5.10.4.3.2. Conducted Transmitter Spurious Emissions for 485.1 MHz, High Power, 800 MHz - 5.5 GHz



Plot 5.10.4.3.3. Conducted Transmitter Spurious Emissions for 485.1 MHz, Low Power, 30 MHz - 800 MHz



**ULTRATECH GROUP OF LABS**

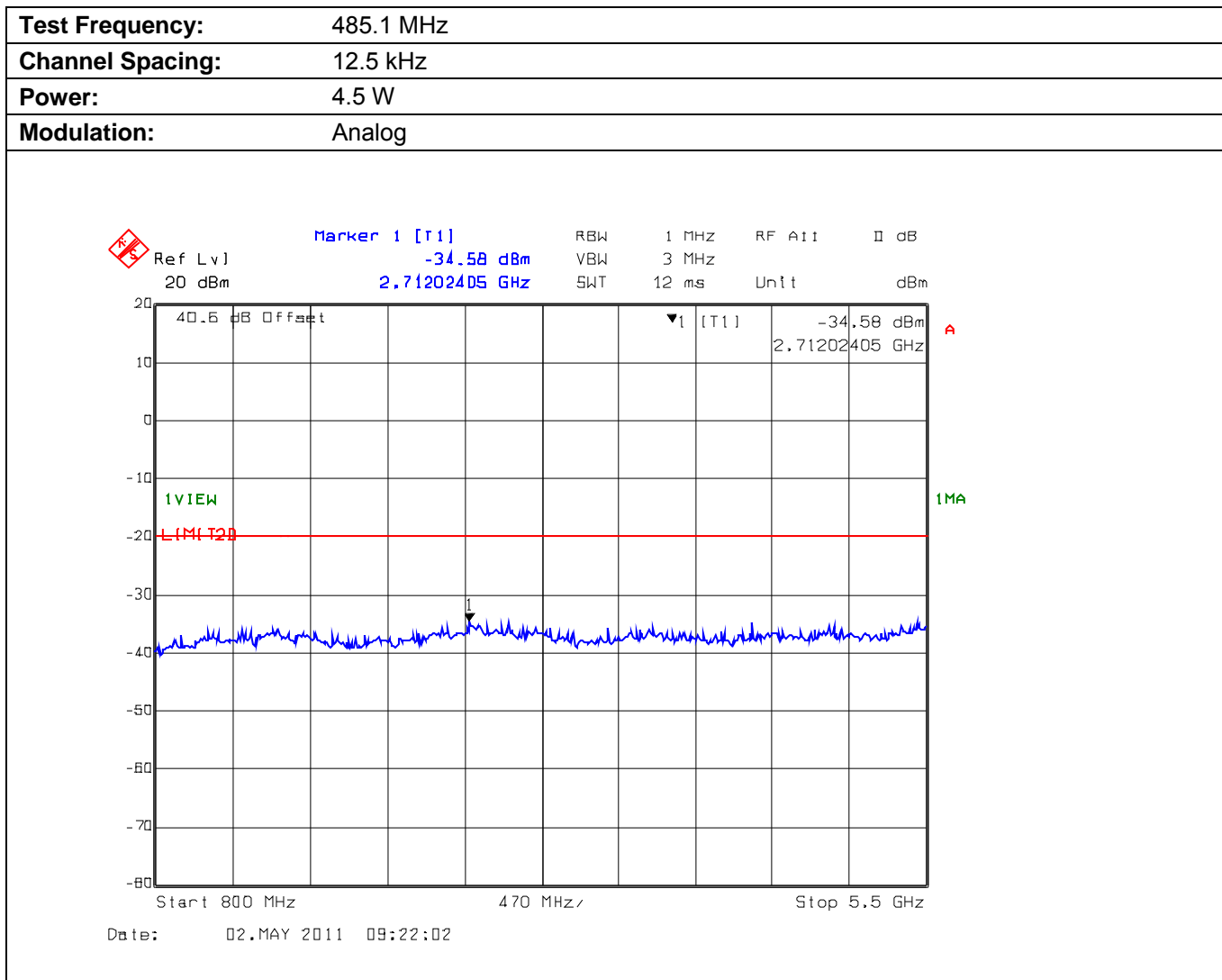
3000 Bristol Circle, Oakville, Ontario, Canada L6H 6G4  
 Tel. #: 905-829-1570, Fax. #: 905-829-8050, Email: [vic@ultratech-labs.com](mailto:vic@ultratech-labs.com), Website: <http://www.ultratech-labs.com>

File #: ICOM-271FCC90

May 17, 2011

All test results contained in this engineering test report are traceable to National Institute of Standards and Technology (NIST)

Plot 5.10.4.3.4. Conducted Transmitter Spurious Emissions for 485.1 MHz, Low Power, 800 MHz - 5.5 GHz



**ULTRATECH GROUP OF LABS**

3000 Bristol Circle, Oakville, Ontario, Canada L6H 6G4  
 Tel. #: 905-829-1570, Fax. #: 905-829-8050, Email: [vic@ultratech-labs.com](mailto:vic@ultratech-labs.com), Website: <http://www.ultratech-labs.com>

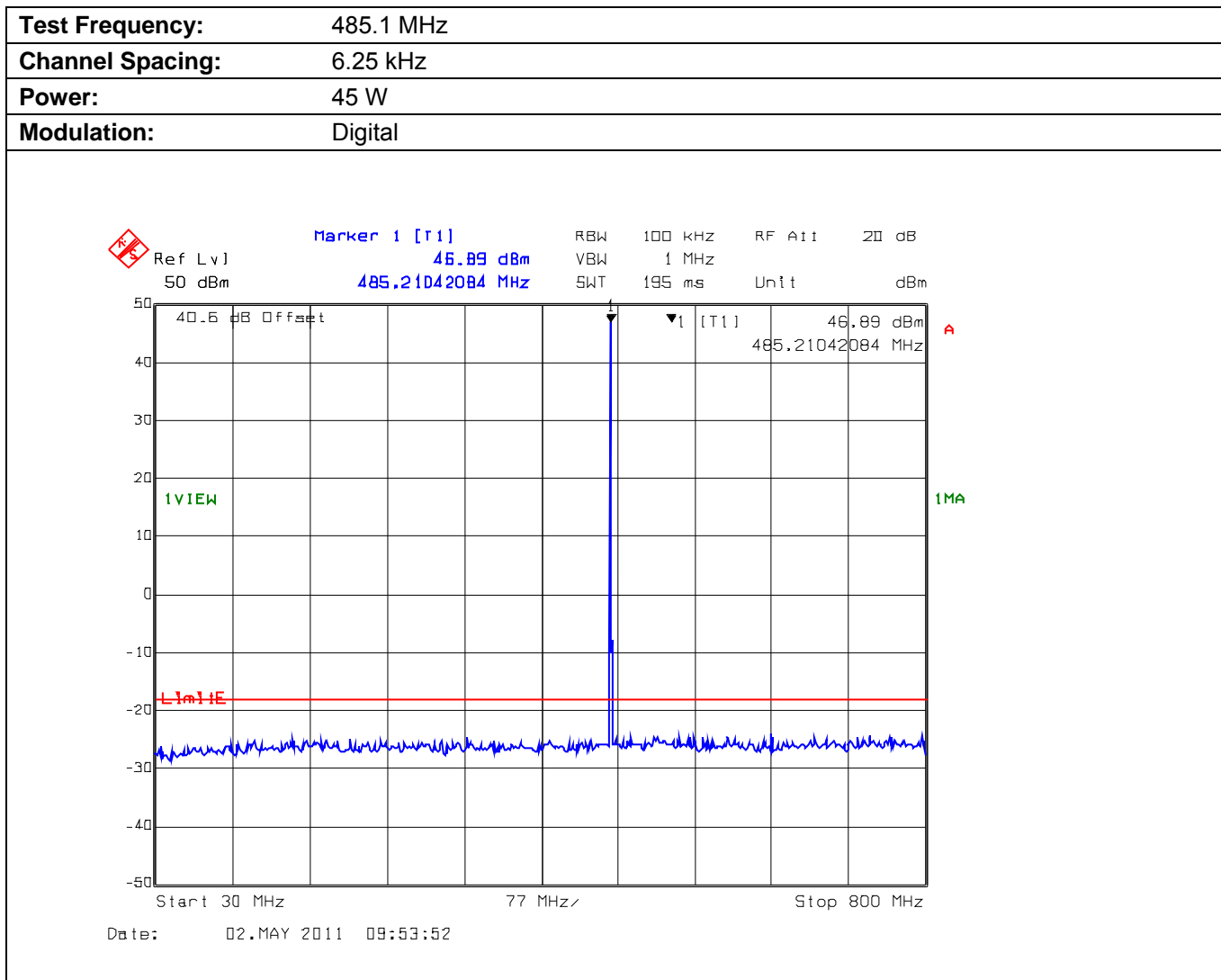
File #: ICOM-271FCC90

May 17, 2011

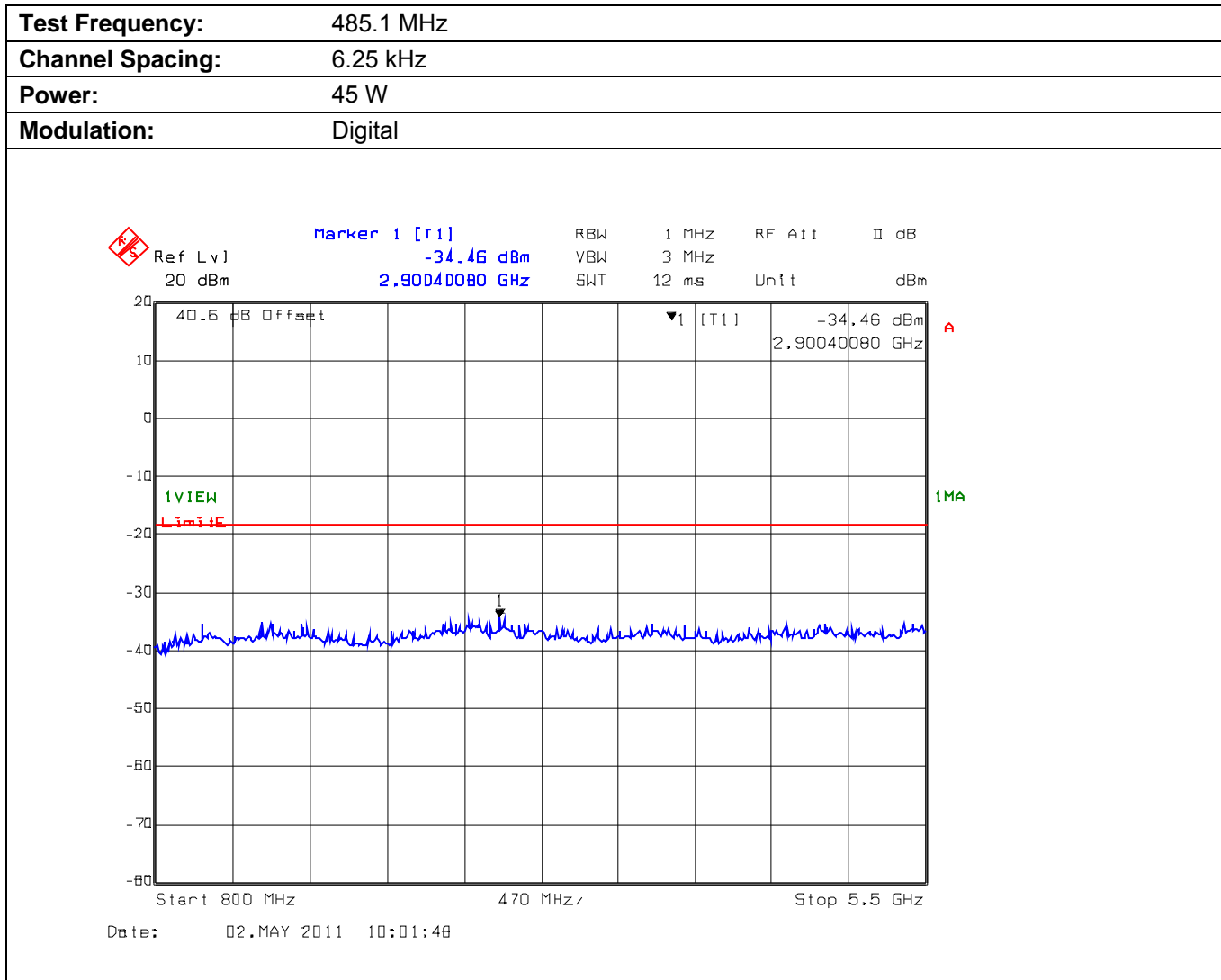
All test results contained in this engineering test report are traceable to National Institute of Standards and Technology (NIST)

5.10.4.4. Near Middle Frequency (485.1 MHz), 6.25 kHz Channel Spacing

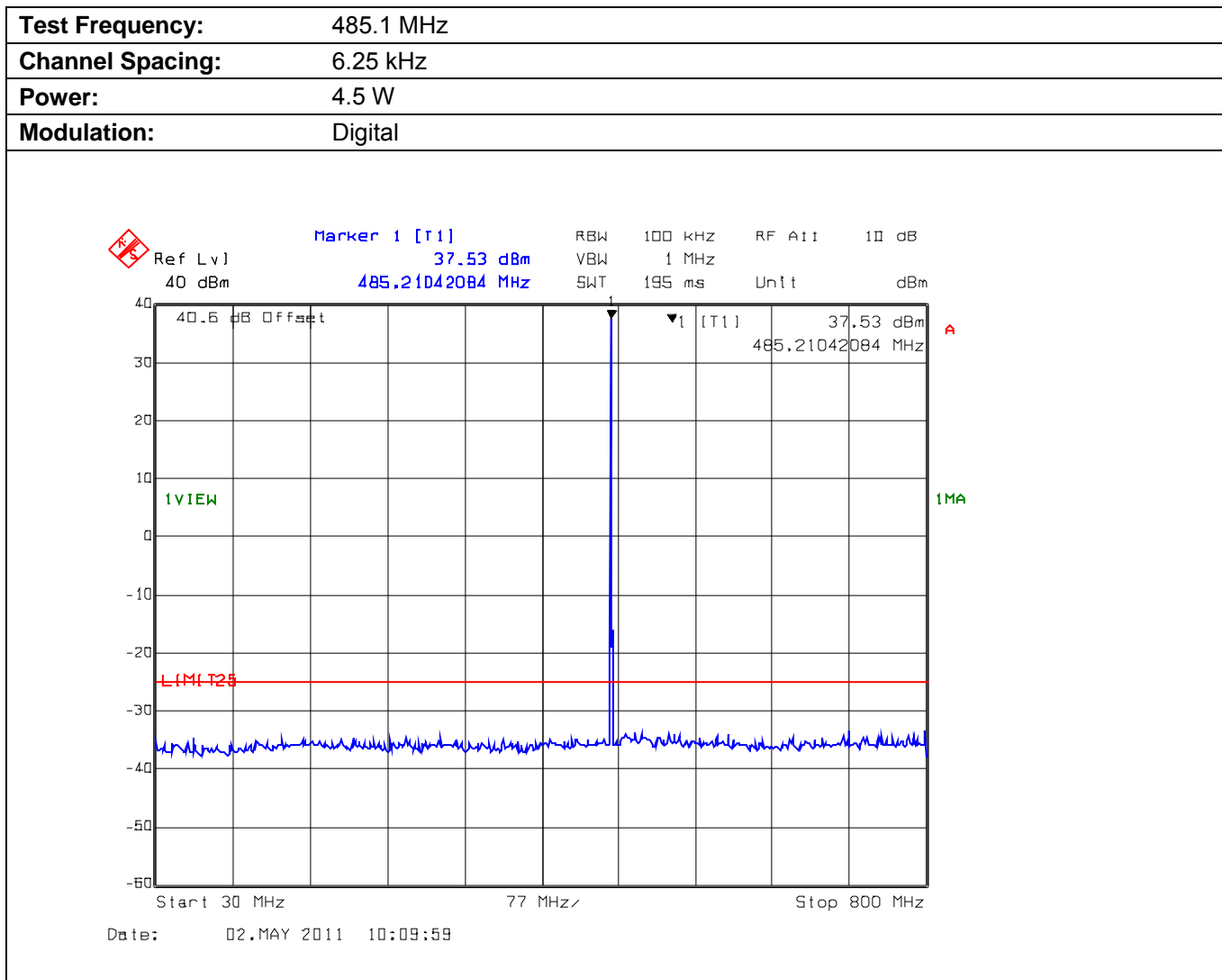
Plot 5.10.4.4.1. Conducted Transmitter Spurious Emissions for 485.1 MHz, High Power, 30 MHz - 800 MHz



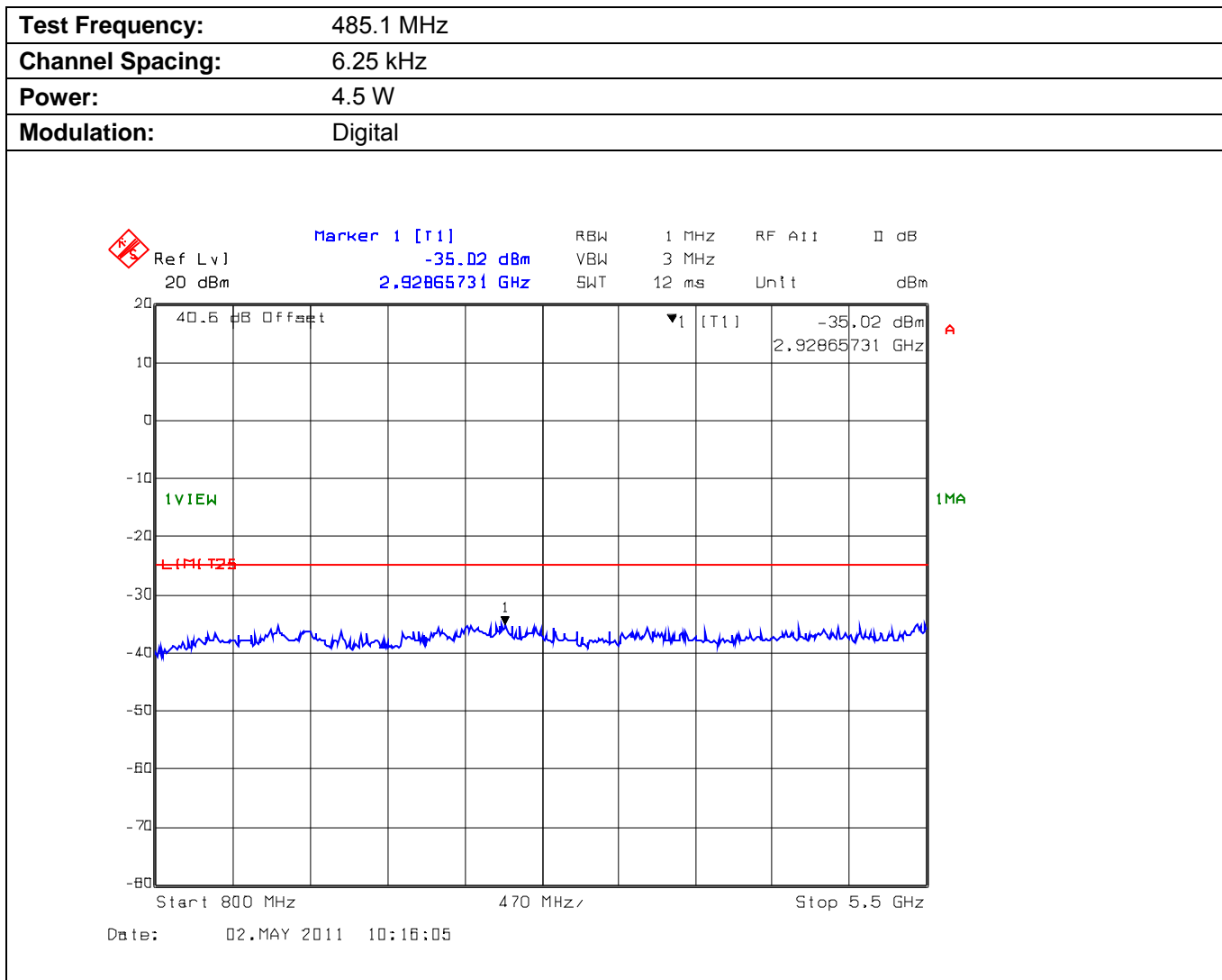
Plot 5.10.4.4.2. Conducted Transmitter Spurious Emissions for 485.1 MHz, High Power, 800 MHz - 5.5 GHz



Plot 5.10.4.4.3. Conducted Transmitter Spurious Emissions for 485.1 MHz, Low Power, 30 MHz - 800 MHz



Plot 5.10.4.4.4. Conducted Transmitter Spurious Emissions for 485.1 MHz, Low Power, 800 MHz - 5.5 GHz



**ULTRATECH GROUP OF LABS**

3000 Bristol Circle, Oakville, Ontario, Canada L6H 6G4  
 Tel. #: 905-829-1570, Fax. #: 905-829-8050, Email: [vic@ultratech-labs.com](mailto:vic@ultratech-labs.com), Website: <http://www.ultratech-labs.com>

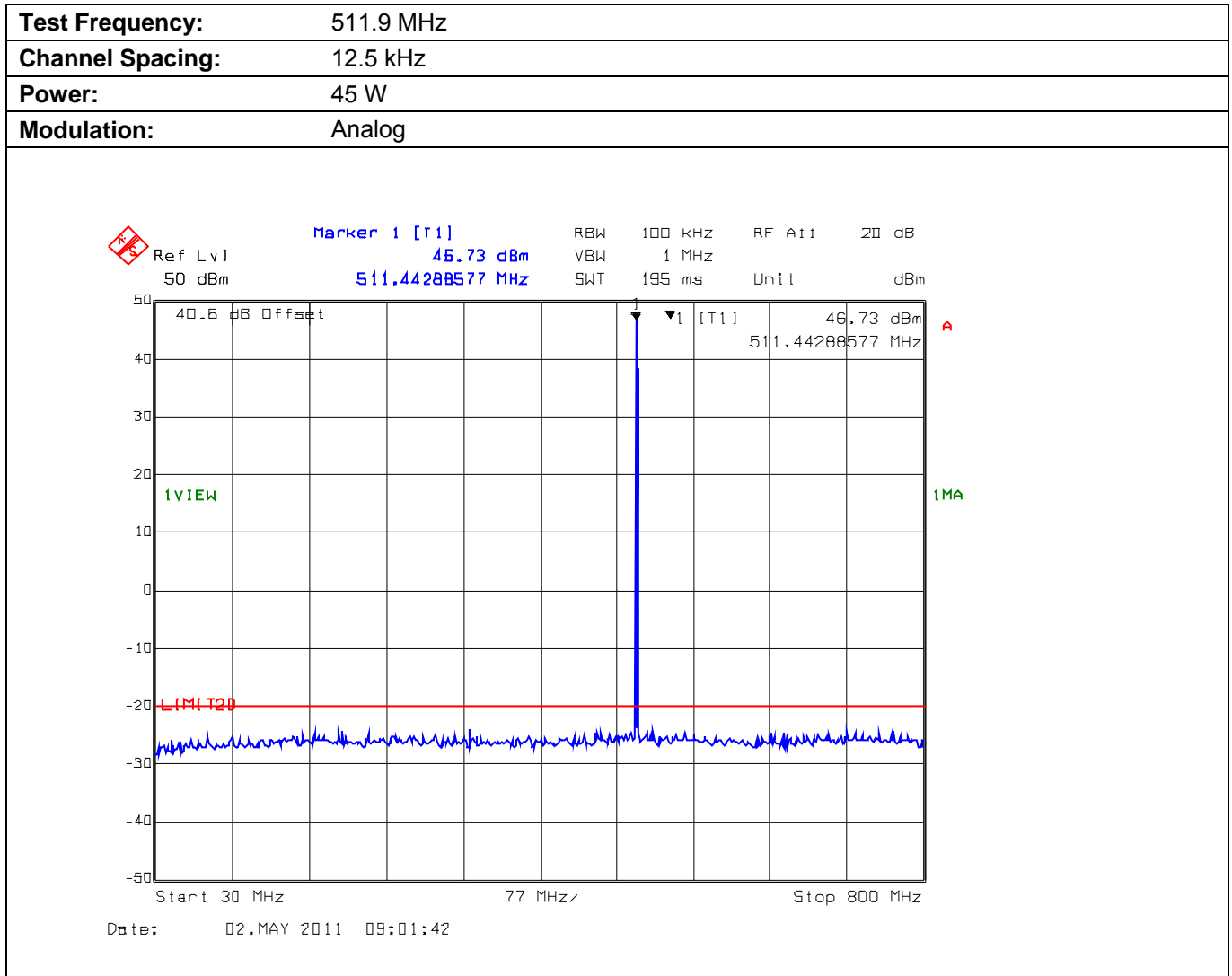
File #: ICOM-271FCC90

May 17, 2011

All test results contained in this engineering test report are traceable to National Institute of Standards and Technology (NIST)

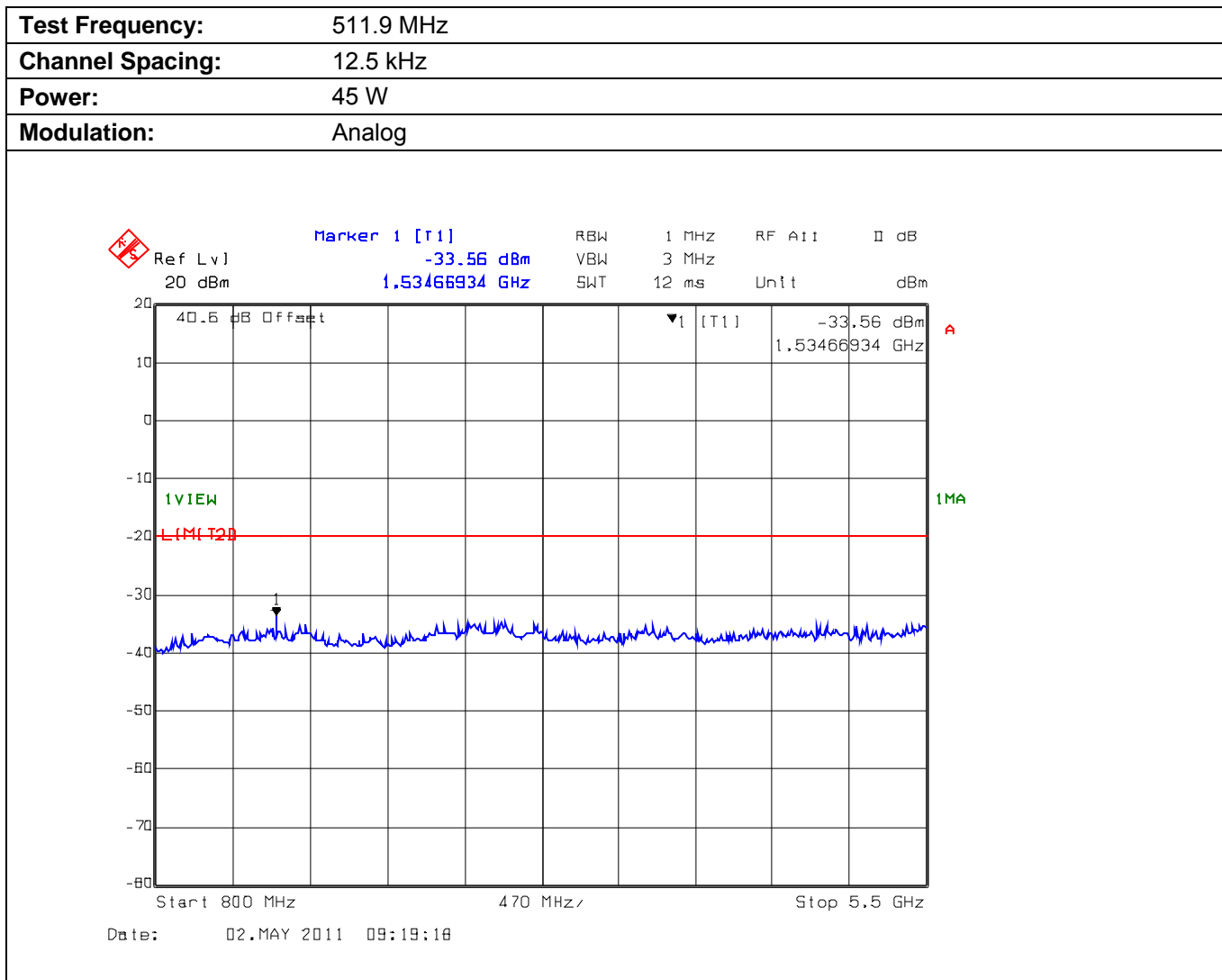
5.10.4.5. Near Highest Frequency (511.9 MHz), 12.5 kHz Channel Spacing

Plot 5.10.4.5.1. Conducted Transmitter Spurious Emissions for 511.9 MHz, High Power, 30 MHz - 800 MHz

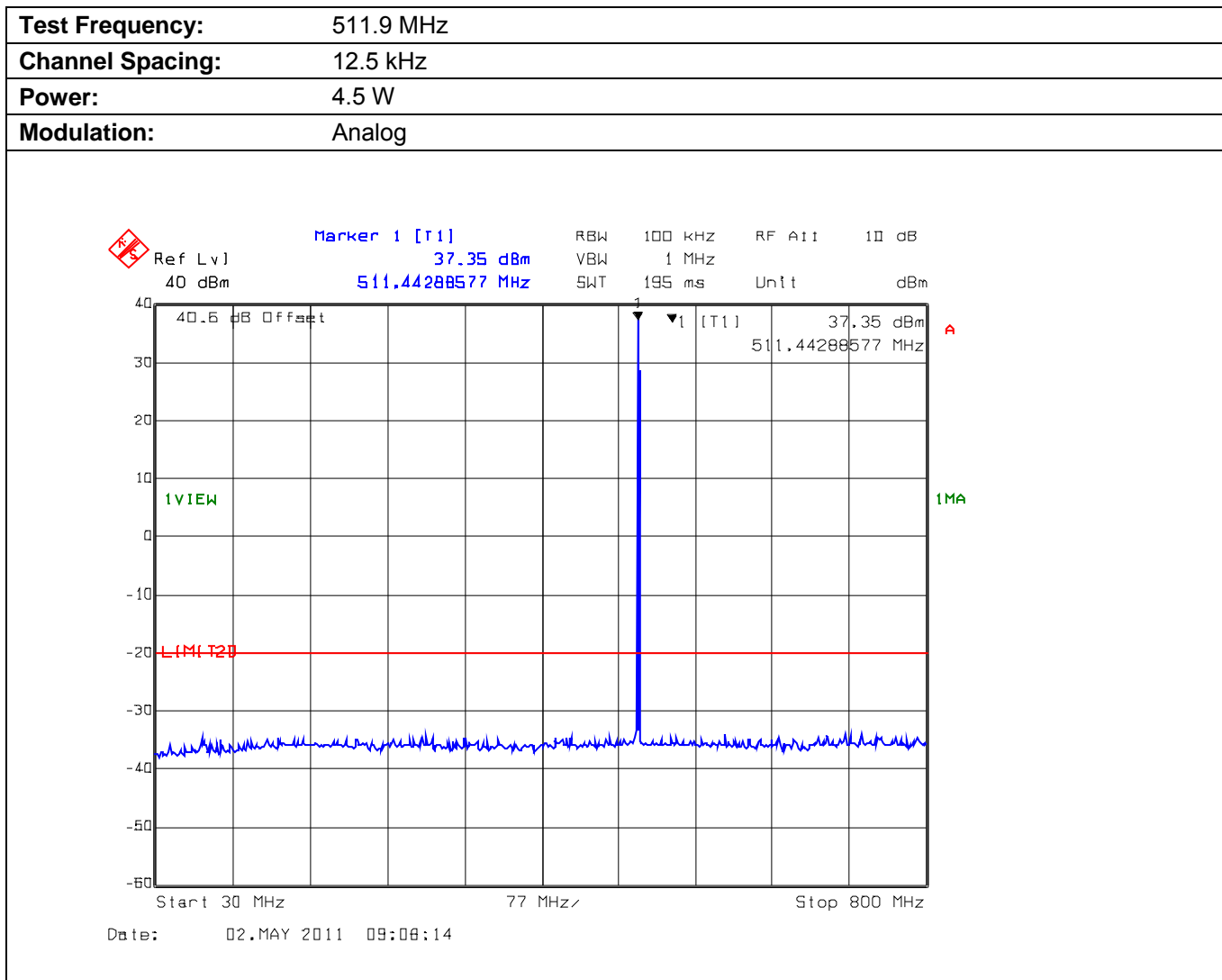




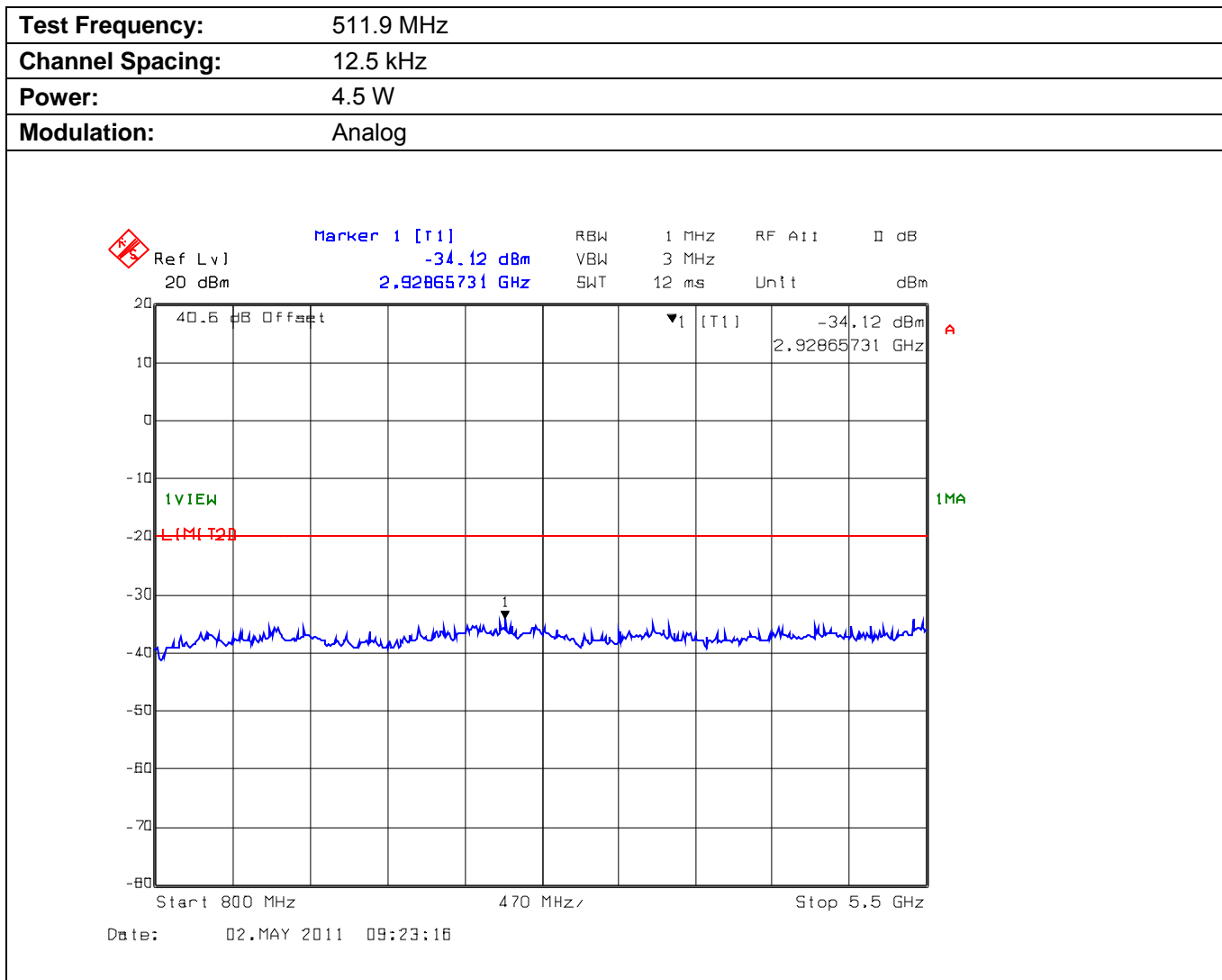
Plot 5.10.4.5.2. Conducted Transmitter Spurious Emissions for 511.9 MHz, High Power, 800 MHz - 5.5 GHz



Plot 5.10.4.5.3. Conducted Transmitter Spurious Emissions for 511.9 MHz, Low Power, 30 MHz - 800 MHz



Plot 5.10.4.5.4. Conducted Transmitter Spurious Emissions for 511.9 MHz, Low Power, 800 MHz - 5.5 GHz



**ULTRATECH GROUP OF LABS**

3000 Bristol Circle, Oakville, Ontario, Canada L6H 6G4  
 Tel. #: 905-829-1570, Fax. #: 905-829-8050, Email: [vic@ultratech-labs.com](mailto:vic@ultratech-labs.com), Website: <http://www.ultratech-labs.com>

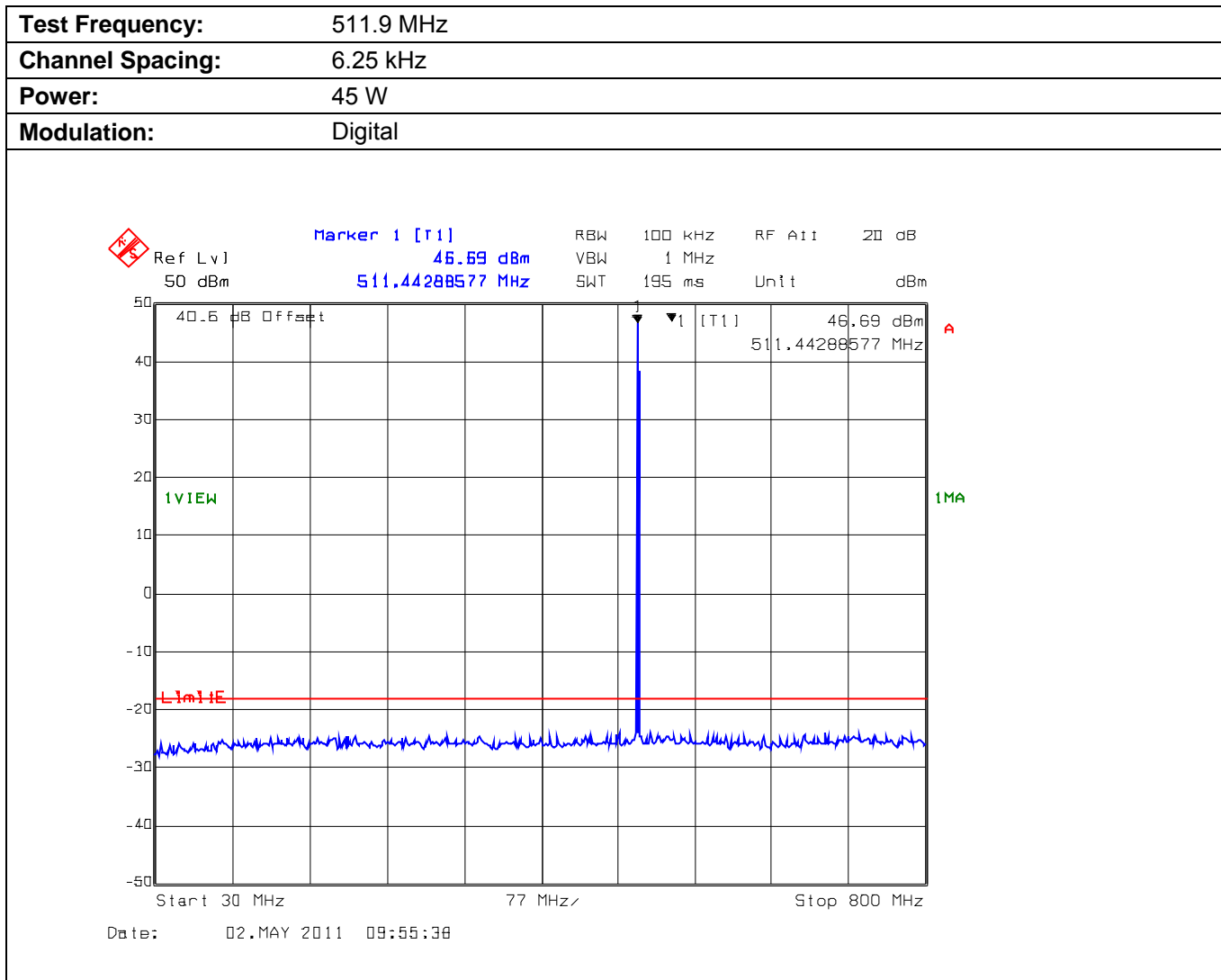
File #: ICOM-271FCC90

May 17, 2011

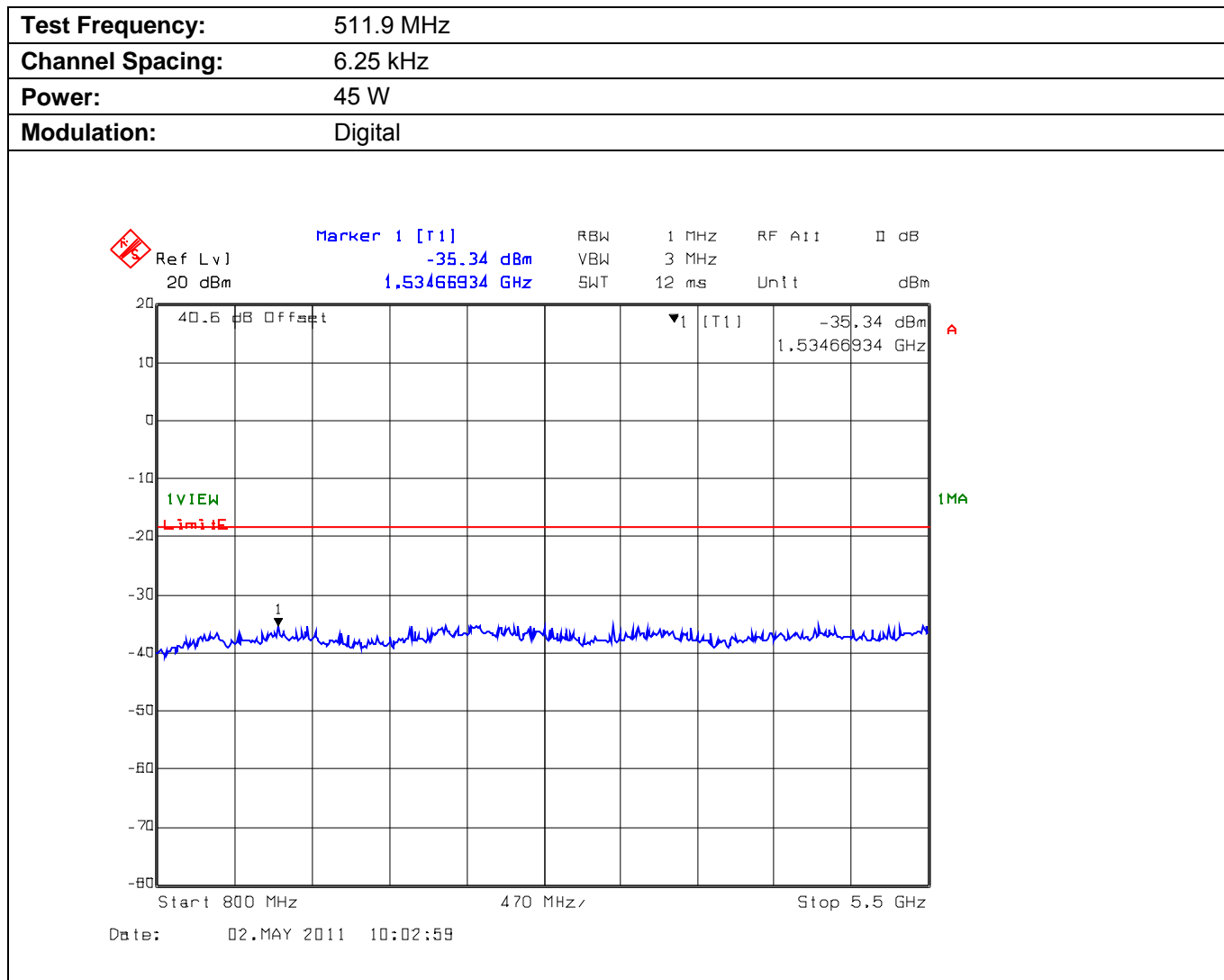
All test results contained in this engineering test report are traceable to National Institute of Standards and Technology (NIST)

5.10.4.6. Near Highest Frequency (511.9 MHz), 6.25 kHz Channel Spacing

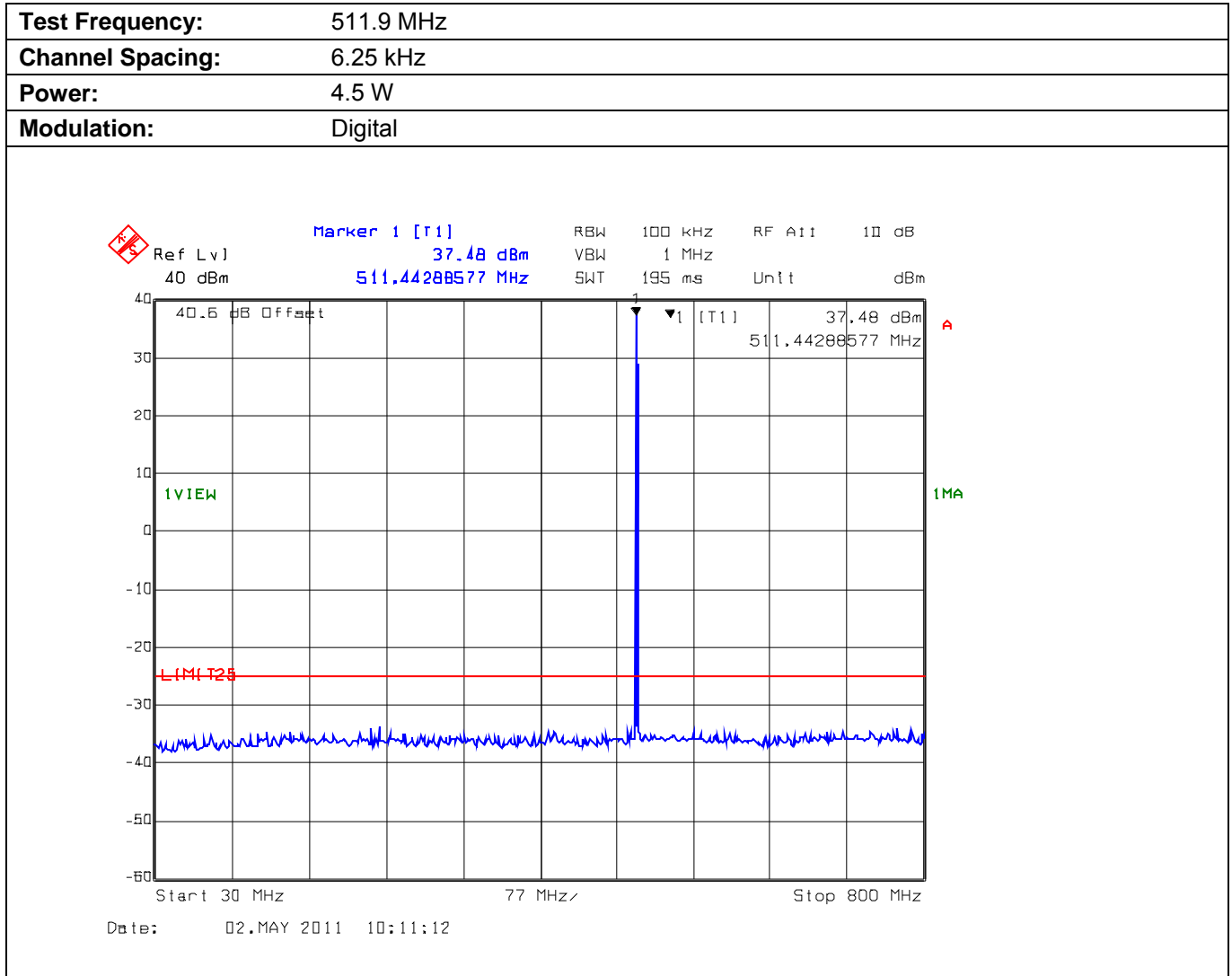
Plot 5.10.4.6.1. Conducted Transmitter Spurious Emissions for 511.9 MHz, High Power, 30 MHz - 800 MHz



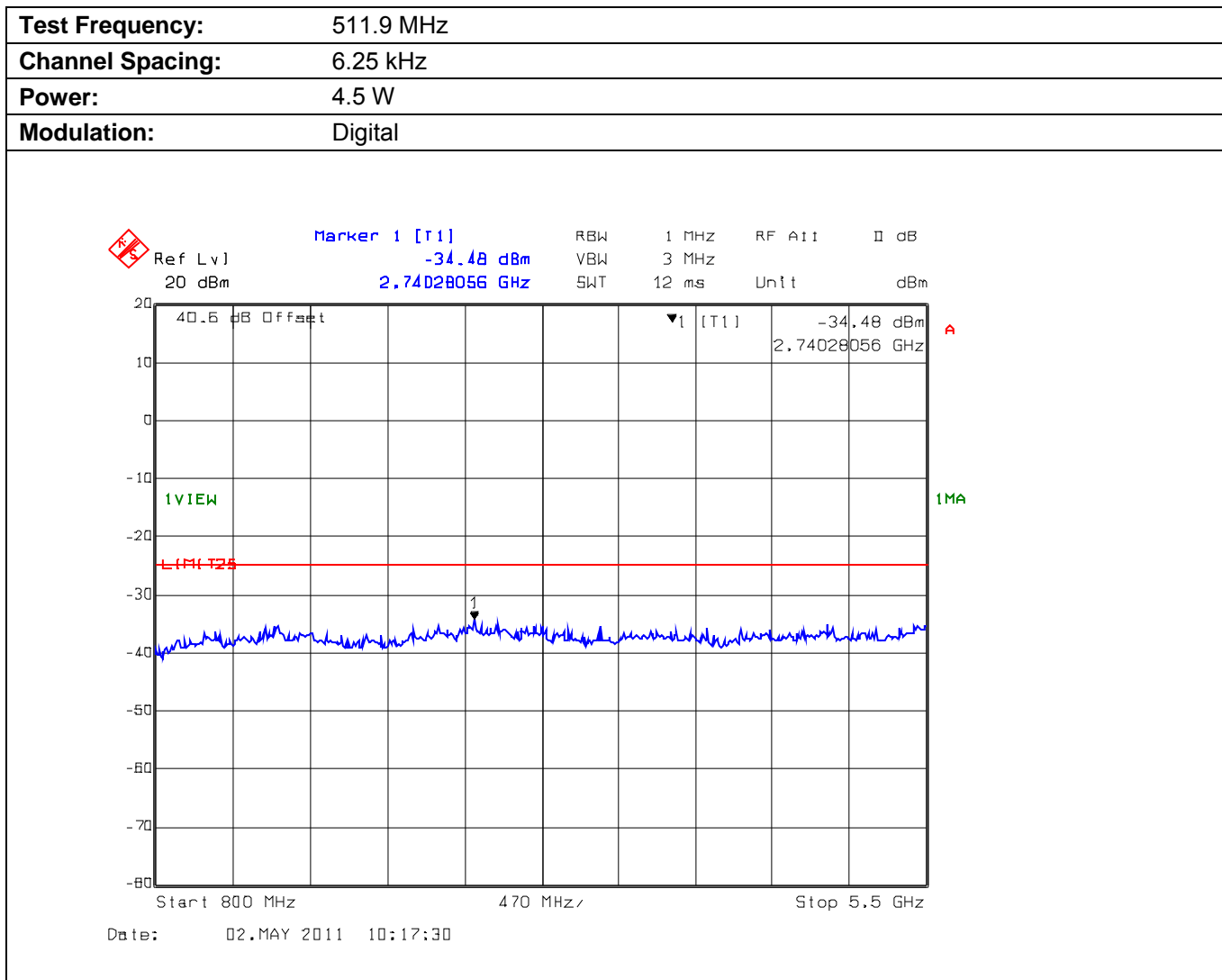
Plot 5.10.4.6.2. Conducted Transmitter Spurious Emissions for 511.9 MHz, High Power, 800 MHz - 5.5 GHz



Plot 5.10.4.6.3. Conducted Transmitter Spurious Emissions for 511.9 MHz, Low Power, 30 MHz - 800 MHz



Plot 5.10.4.6.4. Conducted Transmitter Spurious Emissions for 511.9 MHz, Low Power, 800 MHz - 5.5 GHz



**ULTRATECH GROUP OF LABS**

3000 Bristol Circle, Oakville, Ontario, Canada L6H 6G4  
 Tel. #: 905-829-1570, Fax. #: 905-829-8050, Email: [vic@ultratech-labs.com](mailto:vic@ultratech-labs.com), Website: <http://www.ultratech-labs.com>

File #: ICOM-271FCC90

May 17, 2011

All test results contained in this engineering test report are traceable to National Institute of Standards and Technology (NIST)

## 5.11. TRANSMITTER SPURIOUS/HARMONIC RADIATED EMISSIONS [§§ 2.1053, 2.1057 & 90.210]

### 5.11.1. Limits

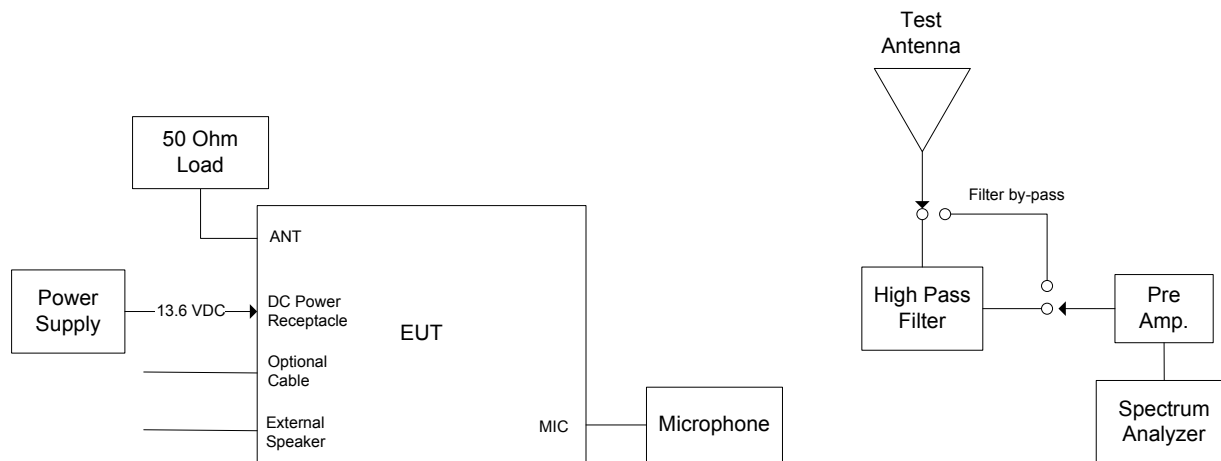
Emissions shall be attenuated below the mean output power of the transmitter as follows:

FCC Rules	Frequency Range	Attenuation Limit (dBc)
§ 90.210(d)	10 MHz to Lowest frequency of the radio to 10 <sup>th</sup> harmonic of the highest frequency of the radio	At least 50 + 10 log (P) dB or 70 dB, whichever is the lesser attenuation.
§ 90.210(e)	10 MHz to Lowest frequency of the radio to 10 <sup>th</sup> harmonic of the highest frequency of the radio	At least 55 + 10 log (P) or 65 dB, whichever is the lesser attenuation.

### 5.11.2. Method of Measurements

The spurious/harmonic ERP measurements are using substitution method specified in Section 8.2 of this report.

### 5.11.3. Test Arrangement





5.11.4. Test Data

**Remarks:**

- The RF spurious/harmonic emission characteristics for different channel spacing are indistinguishable. Therefore, the following radiated emissions were performed at 12.5 kHz channel spacing operation, and the results were compared with the more stringent limit for the worst-case.
- The radiated emissions were performed with high power setting (45 Watts) at 3 m distance to represents the worst-case test configuration.
- The emissions were scanned from 30 MHz to 10<sup>th</sup> harmonics; all spurious emissions that are in excess of 20dB below the specified limit shall be recorded.

5.11.4.1. Near Lowest Frequency (450.1 MHz)

<b>Test Frequency (MHz):</b>		406.2				
<b>Power<sub>conducted</sub> (dBm):</b>		46.88				
<b>Limit (dBm):</b>		-20				
Frequency (MHz)	E-Field (dBµV/m)	EMI Detector (Peak/QP)	Antenna Polarization (H/V)	ERP measured (dBm)	Limit (dBm)	Margin (dB)
900.2	60.41	Peak	V	-41.45	-25.0	-16.5
900.2	64.14	Peak	H	-37.72	-25.0	-12.7
The emissions were scanned from 30 MHz to 6 GHz and all other spurious emissions are more than 20dB below the specified limit.						

5.11.4.2. Near Middle Frequency (485.1 MHz)

<b>Test Frequency (MHz):</b>		485.1				
<b>Power<sub>conducted</sub> (dBm):</b>		47.04				
<b>Limit (dBm):</b>		-20				
Frequency (MHz)	E-Field (dBµV/m)	EMI Detector (Peak/QP)	Antenna Polarization (H/V)	ERP measured (dBm)	Limit (dBm)	Margin (dB)
3395.7	60.10	Peak	H	-44.50	-25.0	-19.5
The emissions were scanned from 30 MHz to 6 GHz and all other spurious emissions are more than 20dB below the specified limit.						

5.11.4.3. Near Highest Frequency (511.9 MHz)

<b>Test Frequency (MHz):</b>		511.9				
<b>Power<sub>conducted</sub> (dBm):</b>		46.81				
<b>Limit (dBm):</b>		-20				
Frequency (MHz)	E-Field (dB $\mu$ V/m)	EMI Detector (Peak/QP)	Antenna Polarization (H/V)	ERP measured (dBm)	Limit (dBm)	Margin (dB)
1023.80	58.83	Peak	V	-44.30	-25	-19.3
1023.80	60.53	Peak	H	-42.60	-25	-17.6
1535.70	60.12	Peak	V	-42.38	-25	-17.4
1535.70	63.65	Peak	H	-38.85	-25	-13.9
2047.60	59.11	Peak	V	-43.88	-25	-18.9
2047.60	58.22	Peak	H	-44.77	-25	-19.8
2559.50	63.50	Peak	V	-39.50	-25	-14.5
2559.50	59.40	Peak	H	-43.60	-25	-18.6
3071.40	57.09	Peak	V	-44.27	-25	-19.3
The emissions were scanned from 30 MHz to 6 GHz and all other spurious emissions are more than 20dB below the specified limit.						

**5.12. FREQUENCY STABILITY [§§ 2.1055 & 90.213]**

**5.12.1. Limits**

**§ 90.213** Transmitters used must have minimum frequency stability as specified in the following table.

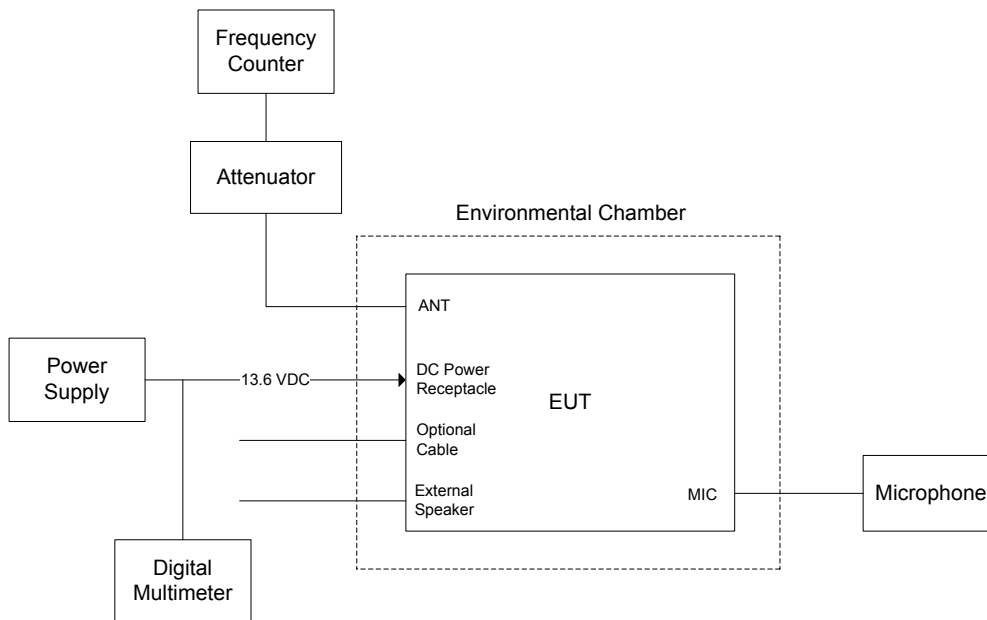
Frequency Range (MHz)	Channel Bandwidth (KHz)	Frequency Tolerance (ppm)		
		Fixed and Base Stations	Mobile Stations	
			> 2 W	≤ 2 W
150-174 MHz	6.25	1.0	2.0	2.0
	12.5	2.5	5.0	5.0
	25	5.0	5.0	50.0*
421-512 MHz	6.25	0.5	1.0	1.0
	12.5	1.5	2.5	2.5
	25	2.5	5.0	5.0

- Stations operating in the 154.45 to 154.49 MHz or the 173.2 to 173.4 MHz bands must have a frequency stability of 5 ppm.
- Paging transmitters operating on paging-only frequencies must operate with frequency stability of 5 ppm in the 150-174 MHz band and 2.5 ppm in the 421-512 MHz band.

**5.12.2. Method of Measurements**

Refer to Section 8.3 of this report for measurement details

**5.12.3. Test Arrangement**



5.12.4. Test Data

<b>Test Frequency:</b>		450.1 MHz	
<b>Full Power Level:</b>		46.88 dBm	
<b>Frequency Tolerance Limit:</b>		± 1 ppm or ± 450 Hz	
<b>Max. Frequency Tolerance Measured:</b>		394 Hz or 0.87 ppm	
<b>Input Voltage Rating:</b>		13.6 VDC (nominal)	
<b>Ambient Temperature (°C)</b>	<b>Frequency Drift (Hz)</b>		
	<b>Supply Voltage (Nominal) 13.6 VDC</b>	<b>Supply Voltage (Battery End Point) 11.56 VDC</b>	<b>Supply Voltage (Battery Fully Charged) 15.64 VDC</b>
-30	-239	--	-
-20	-71	--	--
-10	-59	--	--
0	-72	--	--
+10	-78	--	--
+20	-81	-92	-77
+30	-83	--	--
+40	-86	--	--
+50	292	--	--
+60	394	--	--

**ULTRATECH GROUP OF LABS**

3000 Bristol Circle, Oakville, Ontario, Canada L6H 6G4  
 Tel. #: 905-829-1570, Fax. #: 905-829-8050, Email: [vic@ultratech-labs.com](mailto:vic@ultratech-labs.com), Website: <http://www.ultratech-labs.com>

File #: ICOM-271FCC90

May 17, 2011

All test results contained in this engineering test report are traceable to National Institute of Standards and Technology (NIST)

### 5.13. TRANSIENT FREQUENCY BEHAVIOR [§ 90.214]

#### 5.13.1. Limits

Transient frequencies must be within the maximum frequency difference limits during the time intervals indicated:

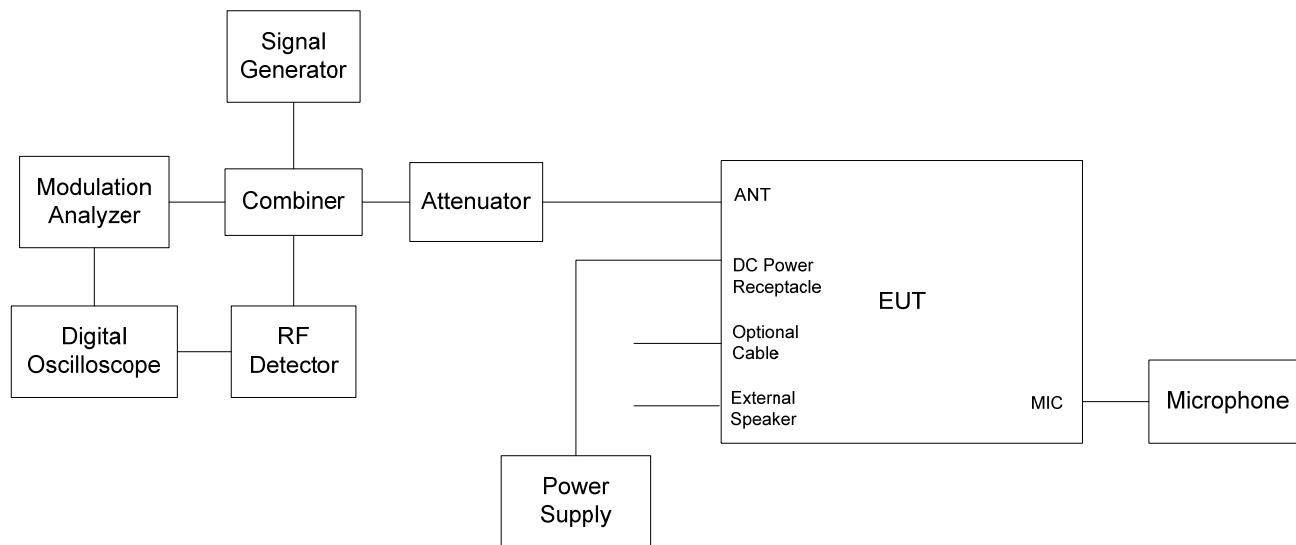
Time intervals <sup>1, 2</sup>	Maximum frequency difference <sup>3</sup>	All equipment	
		150 to 174 MHz	421 to 512MHz
Transient Frequency Behavior for Equipment Designed to Operate on 25 KHz Channels			
t <sub>1</sub> <sup>4</sup> .....	± 25.0 KHz	5.0 ms	10.0 ms
t <sub>2</sub> .....	± 12.5 KHz	20.0 ms	25.0 ms
t <sub>3</sub> <sup>4</sup> .....	± 25.0 KHz	5.0 ms	10.0 ms
Transient Frequency Behavior for Equipment Designed to Operate on 12.5 KHz Channels			
t <sub>1</sub> <sup>4</sup> .....	± 12.5 KHz	5.0 ms	10.0 ms
t <sub>2</sub> .....	± 6.25 KHz	20.0 ms	25.0 ms
t <sub>3</sub> <sup>4</sup> .....	± 12.5 KHz	5.0 ms	10.0 ms
Transient Frequency Behavior for Equipment Designed to Operate on 6.25 KHz Channels			
t <sub>1</sub> <sup>4</sup> .....	±6.25 KHz	5.0 ms	10.0 ms
t <sub>2</sub> .....	±3.125 KHz	20.0 ms	25.0 ms
t <sub>3</sub> <sup>4</sup> .....	±6.25 KHz	5.0 ms	10.0 ms

- t<sub>on</sub> is the instant when a 1 kHz test signal is completely suppressed, including any capture time due to phasing.  
 t<sub>1</sub> is the time period immediately following t<sub>on</sub>.  
 t<sub>2</sub> is the time period immediately following t<sub>1</sub>.  
 t<sub>3</sub> is the time period from the instant when the transmitter is turned off until t<sub>off</sub>.  
 t<sub>off</sub> is the instant when the 1 kHz test signal starts to rise.
- During the time from the end of t<sub>2</sub> to the beginning of t<sub>3</sub>, the frequency difference must not exceed the limits specified in § 90.213.
- Difference between the actual transmitter frequency and the assigned transmitter frequency.
- If the transmitter carrier output power rating is 6 Watts or less, the frequency difference during this time period may exceed the maximum frequency difference for this time period.

#### 5.13.2. Method of Measurements

Refer to Section 8.6 of this test report and ANSI/TIA/EIA-603-C-2004, Section 2.2.19.

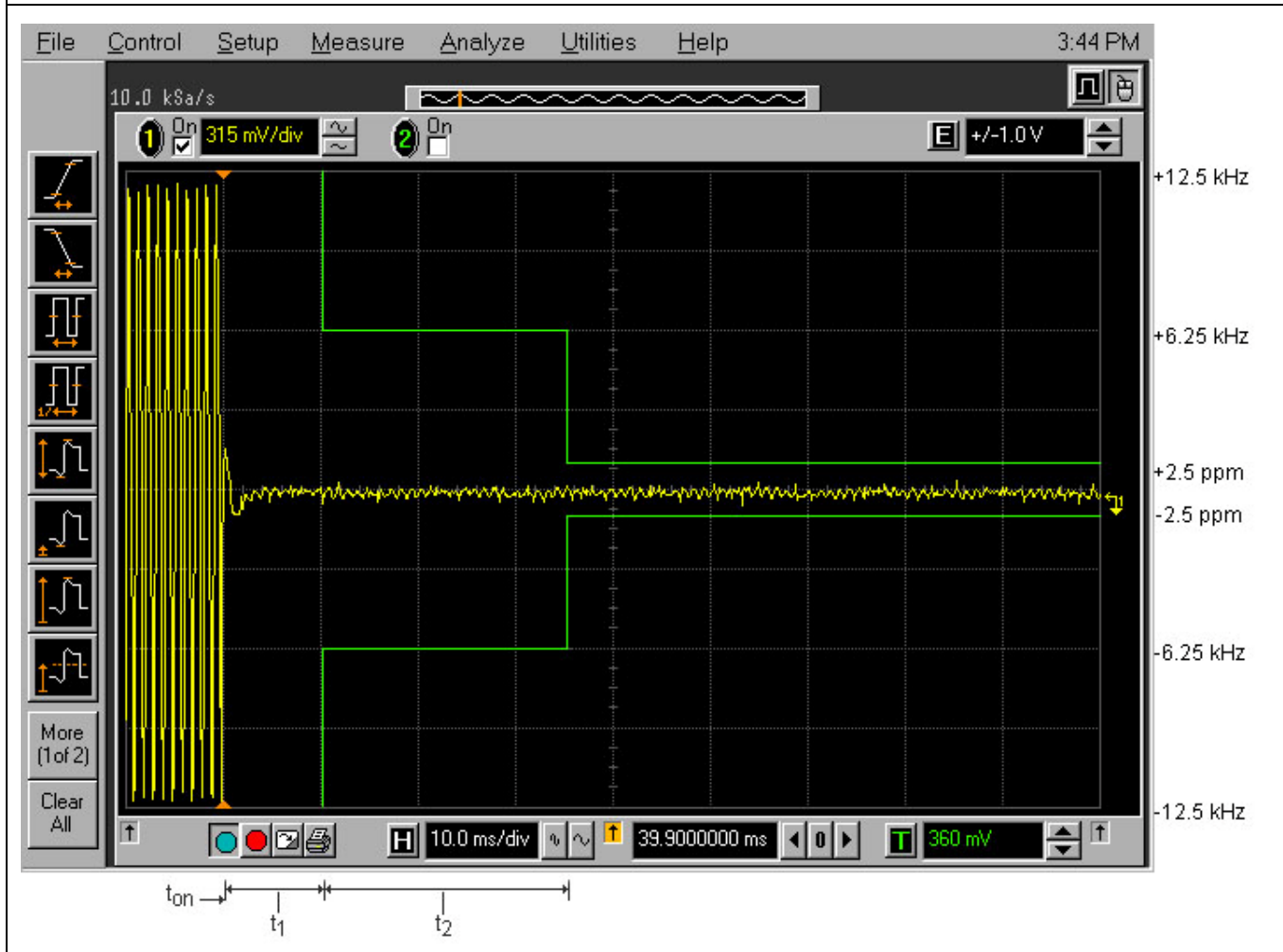
5.13.3. Test Arrangement



5.13.4. Test Data

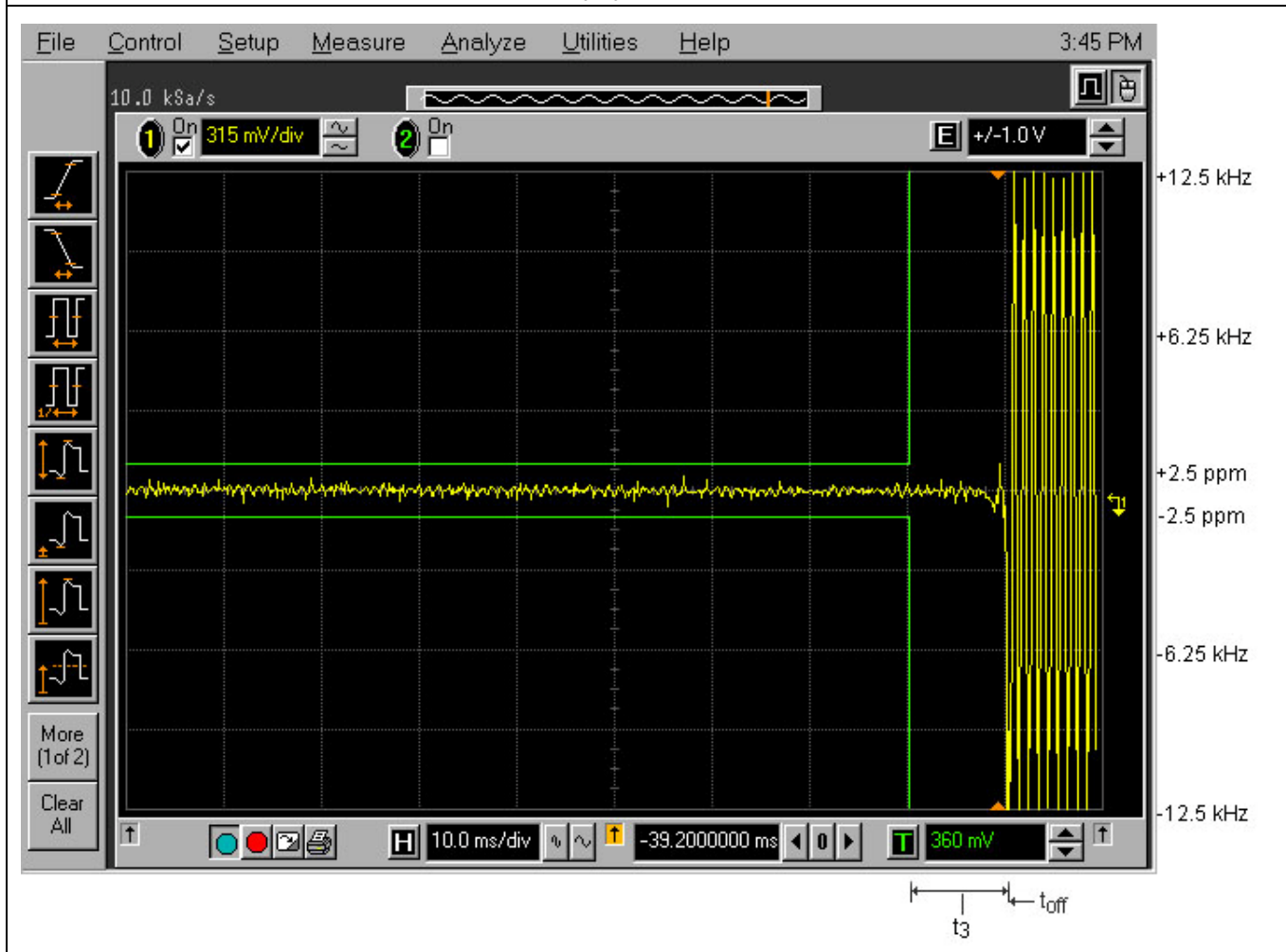
Plot 5.13.4.1. Transient Frequency Behavior for 12.5 kHz Channel Spacing

<b>Test Frequency:</b>	450.1 MHz
<b>Channel Spacing:</b>	12.5 kHz
<b>Power:</b>	45 W
<b>Test Conditions:</b>	Switch on condition $t_{on}$ , $t_1$ , and $t_2$



Plot 5.13.4.2. Transient Frequency Behavior for 12.5 kHz Channel Spacing

<b>Test Frequency:</b>	450.1 MHz
<b>Channel Spacing:</b>	12.5 kHz
<b>Power:</b>	45 W
<b>Test Conditions:</b>	Switch off condition $t_3$ , $t_{off}$



**ULTRATECH GROUP OF LABS**

3000 Bristol Circle, Oakville, Ontario, Canada L6H 6G4  
 Tel. #: 905-829-1570, Fax. #: 905-829-8050, Email: [vic@ultratech-labs.com](mailto:vic@ultratech-labs.com), Website: <http://www.ultratech-labs.com>

File #: ICOM-271FCC90

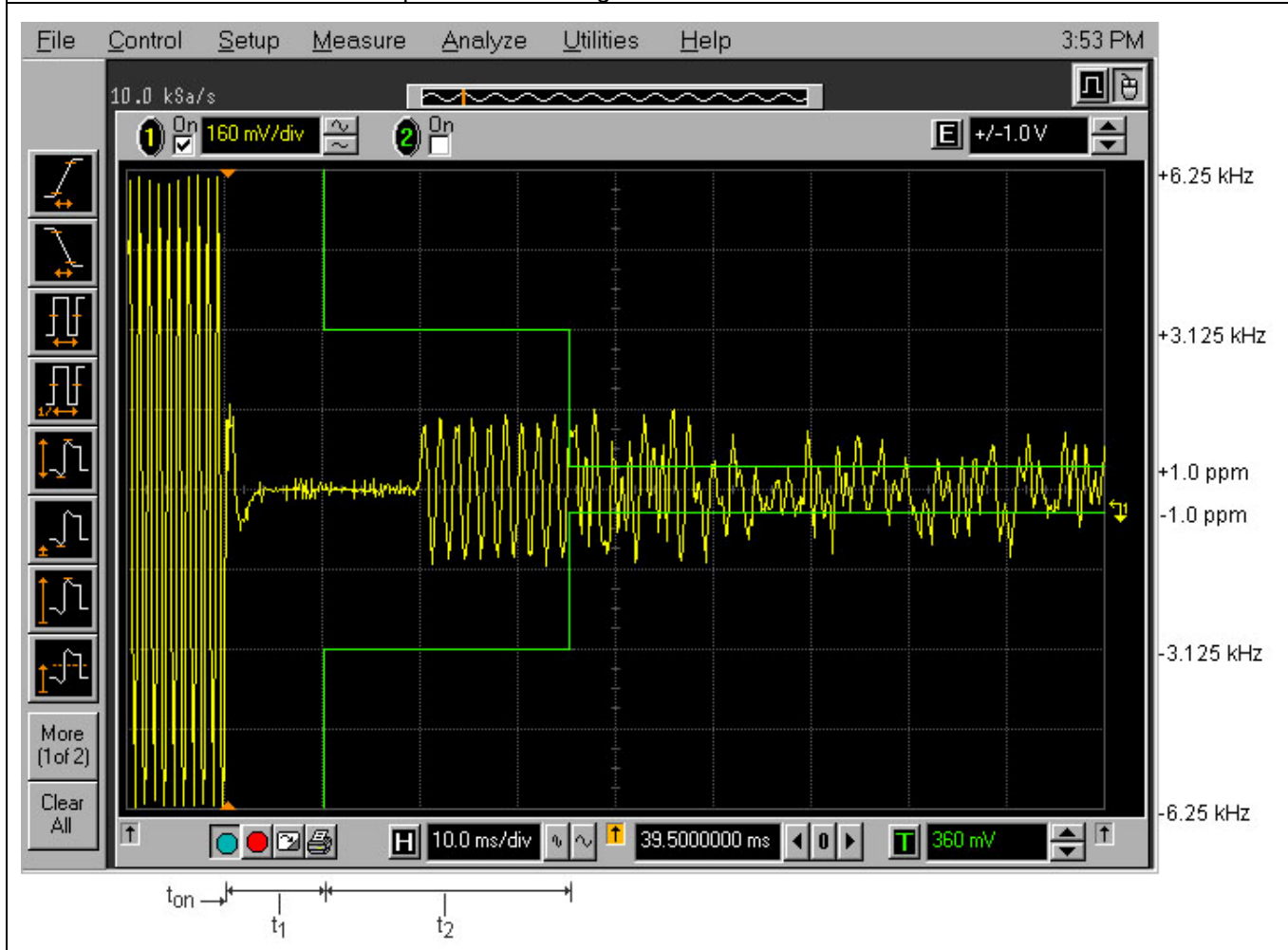
May 17, 2011

All test results contained in this engineering test report are traceable to National Institute of Standards and Technology (NIST)



**Plot 5.13.4.3. Transient Frequency Behavior for 6.25 kHz Channel Spacing**

<b>Test Frequency:</b>	450.1 MHz
<b>Channel Spacing:</b>	6.25 kHz
<b>Power:</b>	45 W
<b>Test Conditions:</b>	Switch on condition $t_{on}$ , $t_1$ , and $t_2$
<b>Comment:</b>	There is no provision to configure the device with un-modulated carrier; hence test was performed with digital modulation.



**ULTRATECH GROUP OF LABS**

3000 Bristol Circle, Oakville, Ontario, Canada L6H 6G4  
 Tel. #: 905-829-1570, Fax. #: 905-829-8050, Email: [vic@ultratech-labs.com](mailto:vic@ultratech-labs.com), Website: <http://www.ultratech-labs.com>

File #: ICOM-271FCC90  
 May 17, 2011

All test results contained in this engineering test report are traceable to National Institute of Standards and Technology (NIST)

Plot 5.13.4.4. Transient Frequency Behavior for 6.25 kHz Channel Spacing

<b>Test Frequency:</b>	450.1 MHz
<b>Channel Spacing:</b>	6.25 kHz
<b>Power:</b>	45 W
<b>Test Conditions:</b>	Switch off condition $t_3$ , $t_{off}$
<b>Comment:</b>	There is no provision to configure the device with un-modulated carrier; hence test was performed with digital modulation.



**ULTRATECH GROUP OF LABS**

3000 Bristol Circle, Oakville, Ontario, Canada L6H 6G4  
 Tel. #: 905-829-1570, Fax. #: 905-829-8050, Email: [vic@ultratech-labs.com](mailto:vic@ultratech-labs.com), Website: <http://www.ultratech-labs.com>

File #: ICOM-271FCC90  
 May 17, 2011

All test results contained in this engineering test report are traceable to National Institute of Standards and Technology (NIST)

## EXHIBIT 6. TEST EQUIPMENT LIST

Test Instruments	Manufacturer	Model No.	Serial No.	Frequency Range	Cal. Due Date
Spectrum Analyzer	Rohde & Schwarz	FSEK	834157/005	9 KHz – 40 GHz	26 Jul 2011
Horn Antenna	EMCO	3115	9911-5955	1 – 18 GHz	09 Jan 2012
Dipole Antenna	EMCO	3121C	434	26 - 1000 MHz	16 Aug 2011
Log Periodic Antenna	ETS	93148	1101	200 MHz – 2 GHz	04 Jan 2012
Attenuator (30dB)	Aeroflex/Weinschel	46-30-34	BR9127	DC-18 GHz	Cal. on use
High Pass Filter	Mini Circuit	SHP 250	--	Cut off 230 MHz	Cal. on use
Power Meter	Hewlett Packard	436B	2347A17246	100K--50G sensor dependent	20 May 2011
Power Sensor	Hewlett Packard	8481A	US37295684	0.1 - 18 GHz	21 Jul 2011
Modulation Analyzer	Hewlett Packard	8901B	3226A04606	150KHz-1300MHz	17 Dec 2011
Frequency Counter	EIP	545A	02683	10 Hz – 18 GHz	31 Jan 2012
Combiner	Mini Circuit	ZFSC-3-4	15542	1MHz - 1GHz	Cal. on use
RF Detector	Pasternack	PE8000-50	--	10 MHz -1GHz	Cal. on use
Infinium Digital Oscilloscope	Hewlett-Packard	54801A	US38380192	DC--500M Hz 1G sampling	31 May 2011
Environmental Chamber	Envirotronics	SSH32C	11994847-S-11059	-60 to 177 degree C	06 Aug 2011
RF Synthesized signal Generator	HP	8648C	3343U00391	100K-3200M Hz AM/ FM/ PM	16 Dec 2011
Power Supply	Tenma	72-7295	490300297	1-40V DC 5A	Cal. on use
True RMS DMM	Greenlee Test Instruments	DM-820	004441758	50.00, 500.0mV; 5.000, 50.00, 500.0, 1000V	13 Sep 2011
FFT Digital Spectrum Analyzer	Advantest	R9211E	8202336	10mHz--100KHz	12 Nov 2011
RF Communication Test Set	Hewlett Packard	8920B	US39064699	30MHz-1GHz	27 Oct 2012
Horn antenna	ETS-LINDGREN	3117	119425	1-18GHz	15 Feb 2012
Preamplifier	Hewlett Packard	8449B	3008A00769	1-18GHz	17 Feb 2012
High Pass Filter	Mini Circuit	SHP 600	--	Cut off 560 MHz	Cal. on use
Power Supply	XANTREX	XKW 60-50	26509	0-60V 0-50A DC	Cal. on use

### ULTRATECH GROUP OF LABS

3000 Bristol Circle, Oakville, Ontario, Canada L6H 6G4  
 Tel. #: 905-829-1570, Fax. #: 905-829-8050, Email: [vic@ultratech-labs.com](mailto:vic@ultratech-labs.com), Website: <http://www.ultratech-labs.com>

File #: ICOM-271FCC90

May 17, 2011

All test results contained in this engineering test report are traceable to National Institute of Standards and Technology (NIST)

## EXHIBIT 7. MEASUREMENT UNCERTAINTY

The measurement uncertainties stated were calculated in accordance with the requirements of CISPR 16-4-2 @ IEC:2003 and JCGM 100:2008 (GUM 1995) – Guide to the Expression of Uncertainty in Measurement.

### 7.1. RADIATED EMISSION MEASUREMENT UNCERTAINTY

	Radiated Emission Measurement Uncertainty @ 3m, Horizontal (30-1000 MHz):	Measured	Limit
<b>u<sub>c</sub></b>	<b>Combined standard uncertainty:</b> $u_c(y) = \sqrt{\sum_{i=1}^m u_i^2(y)}$	<b>± 2.15</b>	<b>± 2.6</b>
<b>U</b>	<b>Expanded uncertainty U:</b> $U = 2u_c(y)$	<b>± 4.30</b>	<b>± 5.2</b>

	Radiated Emission Measurement Uncertainty @ 3m, Vertical (30-1000 MHz):	Measured	Limit
<b>u<sub>c</sub></b>	<b>Combined standard uncertainty:</b> $u_c(y) = \sqrt{\sum_{i=1}^m u_i^2(y)}$	<b>± 2.39</b>	<b>± 2.6</b>
<b>U</b>	<b>Expanded uncertainty U:</b> $U = 2u_c(y)$	<b>± 4.78</b>	<b>± 5.2</b>

	Radiated Emission Measurement Uncertainty @ 3 m, Horizontal & Vertical (1 – 18 GHz):	Measured	Limit
<b>u<sub>c</sub></b>	<b>Combined standard uncertainty:</b> $u_c(y) = \sqrt{\sum_{i=1}^m u_i^2(y)}$	<b>± 1.87</b>	<b>Under consideration</b>
<b>U</b>	<b>Expanded uncertainty U:</b> $U = 2u_c(y)$	<b>± 3.75</b>	<b>Under consideration</b>

## EXHIBIT 8. MEASUREMENT METHODS

### 8.1. CONDUCTED POWER MEASUREMENTS

- The following shall be applied to the combination(s) of the radio device and its intended antenna(e).
- If the RF level is user adjustable, all measurements shall be made with the highest power level available to the user for that combination.
- The following method of measurement shall apply to both conducted and radiated measurements.
- The radiated measurements are performed at the Ultratech Calibrated Open Field Test Site.
- The measurement shall be performed using normal operation of the equipment with modulation.

Test procedure shall be as follows:

#### Step 1: Duty Cycle measurements if the transmitter's transmission is transient

- Using a EMI Receiver with the frequency span set to 0 Hz and the sweep time set at a suitable value to capture the envelope peaks and the duty cycle of the transmitter output signal;
- The duty cycle of the transmitter,  $x = T_{x \text{ on}} / (T_{x \text{ on}} + T_{x \text{ off}})$  with  $0 < x < 1$ , is measure and recorded in the test report. For the purpose of testing, the equipment shall be operated with a duty cycle that is equal or more than 0.1.

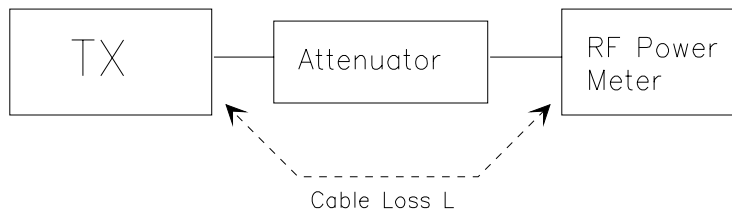
#### Step 2: Calculation of Average EIRP. See Figure 1

- The average output power of the transmitter shall be determined using a wideband, calibrated RF average power meter with the power sensor with an integration period that exceeds the repetition period of the transmitter by a factor 5 or more. The observed value shall be recorded as "A" (in dBm);
- The e.i.r.p. shall be calculated from the above measured power output "A", the observed duty cycle x, and the applicable antenna assembly gain "G" in dBi, according to the formula:

$$\text{EIRP} = A + G + 10\log(1/x)$$

{X = 1 for continuous transmission =>  $10\log(1/x) = 0$  dB}

Figure 1.



## 8.2. RADIATED POWER MEASUREMENTS (ERP & EIRP) USING SUBSTITUTION METHOD

### 8.2.1. MAXIMIZING RF EMISSION LEVEL (E-FIELD)

- (a) The measurements were performed with full rf output power and modulation.
- (b) Test was performed at listed 3m open area test site (listed with FCC, IC, ITI, NVLAP, ACA & VCCI).
- (c) The transmitter under test was placed at the specified height on a non-conducting turntable (80 cm height)
- (d) The BICONILOG antenna (20 MHz to 1 GHz) or HORN antenna (1 GHz to 18 GHz) was used for measuring.
- (e) Load an appropriate correction factors file in EMI Receiver for correcting the field strength reading level

Total Correction Factor recorded in the EMI Receiver = Cable Loss + Antenna Factor  
 $E \text{ (dB}\mu\text{V/m)} = \text{Reading (dB}\mu\text{V)} + \text{Total Correction Factor (dB/m)}$

- (f) Set the EMI Receiver and #2 as follows:

Center Frequency: test frequency  
Resolution BW: 100 KHz  
Video BW: same  
Detector Mode: positive  
Average: off  
Span: 3 x the signal bandwidth

- (g) The test antenna was lowered or raised from 1 to 4 meters until the maximum signal level was detected.
- (h) The transmitter was rotated through  $360^\circ$  about a vertical axis until a higher maximum signal was received.
- (i) The test antenna was lowered or raised again from 1 to 4 meters until a maximum was obtained. This level was recorded.
- (j) The recorded reading was corrected to the true field strength level by adding the antenna factor, cable loss and subtracting the pre-amplifier gain.
- (k) The above steps were repeated with both transmitters' antenna and test receiving antenna placed in vertical and horizontal polarization. Both readings with the antennas placed in vertical and horizontal polarization shall be recorded.
- (l) Repeat for all different test signal frequencies.

### 8.2.2. Measuring the EIRP of Spurious/Harmonic Emissions using Substitution Method

- (a) Set the EMI Receiver (for measuring E-Field) and Receiver #2 (for measuring EIRP) as follows:

Center Frequency: equal to the signal source  
Resolution BW: 100 KHz  
Video BW: VBW > RBW  
Detector Mode: positive  
Average: off  
Span: 3 x the signal bandwidth

- (b) Load an appropriate correction factors file in EMI Receiver for correcting the field strength reading level

Total Correction Factor recorded in the EMI Receiver = Cable Loss + Antenna Factor  
E (dBuV/m) = Reading (dBuV) + Total Correction Factor (dB/m)

- (c) Select the frequency and E-field levels obtained in the Section 8.2.1 for ERP/EIRP measurements.  
(d) Substitute the EUT by a signal generator and one of the following transmitting antenna (substitution antenna):
  - ◆ DIPOLE antenna for frequency from 30-1000 MHz or
  - ◆ HORN antenna for frequency above 1 GHz }.(e) Mount the transmitting antenna at 1.5 meter high from the ground plane.  
(f) Use one of the following antenna as a receiving antenna:
  - ◆ DIPOLE antenna for frequency from 30-1000 MHz or
  - ◆ HORN antenna for frequency above 1 GHz }.(g) If the DIPOLE antenna is used, tune it's elements to the frequency as specified in the calibration manual.  
(h) Adjust both transmitting and receiving antenna in a VERTICAL polarization.  
(i) Tune the EMI Receivers to the test frequency.  
(j) Lower or raise the test antenna from 1 to 4 meters until the maximum signal level was detected.  
(k) The transmitter was rotated through 360° about a vertical axis until a higher maximum signal was received.  
(l) Lower or raise the test antenna from 1 to 4 meters until the maximum signal level was detected.  
(m) Adjust input signal to the substitution antenna until an equal or a known related level to that detected from the transmitter was obtained in the test receiver.  
(n) Record the power level read from the Average Power Meter and calculate the ERP/EIRP as follows:

$$P = P1 - L1 = (P2 + L2) - L1 = P3 + A + L2 - L1$$

$$EIRP = P + G1 = P3 + L2 - L1 + A + G1$$

$$ERP = EIRP - 2.15 \text{ dB}$$

$$\text{Total Correction factor in EMI Receiver \# 2} = L2 - L1 + G1$$

Where: P: Actual RF Power fed into the substitution antenna port after corrected.  
P1: Power output from the signal generator  
P2: Power measured at attenuator A input  
P3: Power reading on the Average Power Meter  
EIRP: EIRP after correction  
ERP: ERP after correction

- (o) Adjust both transmitting and receiving antenna in a HORIZONTAL polarization, then repeat step (k) to (o)  
(p) Repeat step (d) to (o) for different test frequency  
(q) Repeat steps (c) to (j) with the substitution antenna oriented in horizontal polarization.  
(r) Actual gain of the EUT's antenna is the difference of the measured EIRP and measured RF power at the RF port. Correct the antenna gain if necessary.

Figure 2

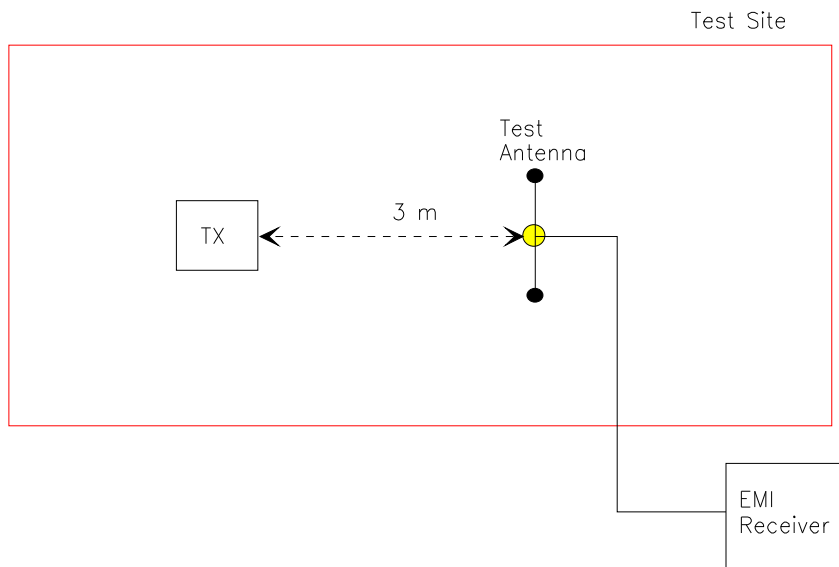
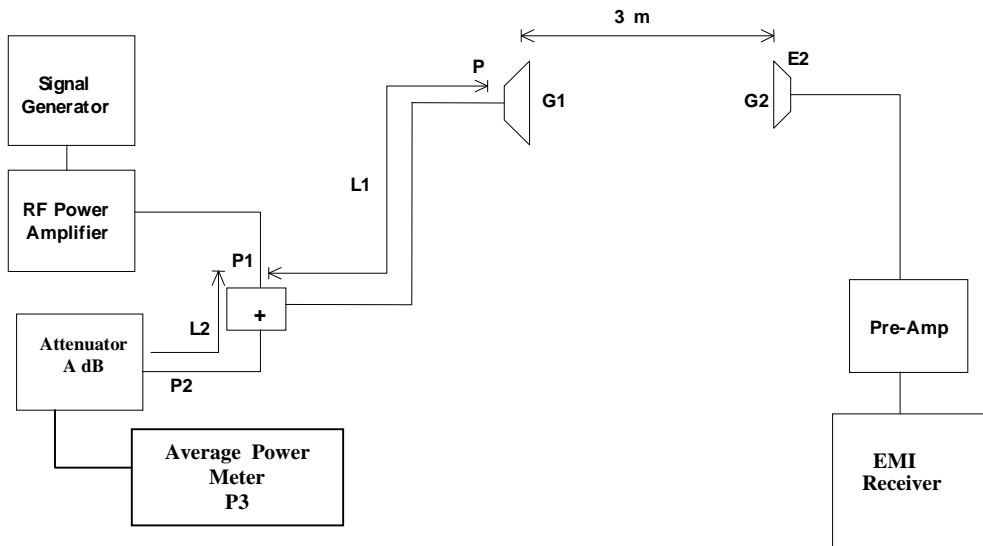


Figure 3





### 8.3. FREQUENCY STABILITY

Refer to FCC @ 2.1055.

- (a) The frequency stability shall be measured with variation of ambient temperature as follows: From -30 to +50 centigrade except that specified in subparagraph (2) & (3) of this paragraph.
- (b) Frequency measurements shall be made at extremes of the specified temperature range and at intervals of not more than 10 centigrade through the range. A period of time sufficient to stabilize all of the components of the oscillator circuit at each temperature level shall be allowed prior to frequency measurement. The short-term transient effects on the frequency of the transmitter due to keying (except for broadcast transmitters) and any heating element cycling normally occurring at each ambient temperature level also shall be shown. Only the portion or portions of the transmitter containing the frequency determining and stability circuitry need be subjected to the temperature variation test.
- (d) The frequency stability supply shall be measured with variation of primary supply voltage as follows:
  - (1) Vary primary supply voltage from 85 to 115 percent of the nominal value for other than hand carried battery equipment.
  - (2) For hand carried, battery powered equipment, reduce primary supply voltage to the battery operating end point which shall be specified by the manufacturer.
  - (3) The supply voltage shall be measured at the input to the cable normally provide with the equipment, or at the power supply terminals if cables are not normally provided. Effects on frequency of transmitter keying (except for broadcast transmitters) and any heating element cycling at the nominal supply voltage and at each extreme also shall be shown.
- (e) When deemed necessary, the Commission may require tests of frequency stability under conditions in addition to those specifically set out in paragraphs (a), (b), (c) and (d) of this section. (For example, measurements showing the effect of proximity to large metal objects, or of various types of antennas, may be required for portable equipment).

## 8.4. EMISSION MASK

**Voice or Digital Modulation Through a Voice Input Port @ 2.1049(c)(i):**- The transmitter was modulated by a 2.5 KHz tone signal at an input level 16 dB greater than that required to produce 50% modulation (e.g.:  $\pm 2.5$  KHz peak deviation at 1 KHz modulating frequency). The input level was established at the frequency of maximum response of the audio modulating circuit.

**Digital Modulation Through a Data Input Port @ 2.1049(h):**- Transmitters employing digital modulation techniques - when modulated by an input signal such that its amplitude and symbol rate represent the maximum rated conditions under which the equipment will be operated. The signal shall be applied through any filter networks, pseudo-random generators or other devices required in normal service. Additionally, the Emission Masks shall be shown for operation with any devices used for modifying the spectrum when such devices are operational at the discretion of the user.

The following EMI Receiver bandwidth shall be used for measurement of Emission Mask/Out-of-Band Emission Measurements:

- (1) For 25 KHz Channel Spacing: RBW = 300 Hz
- (2) For 12.5 KHz or 6.25 KHz Channel Spacings: RBW = 100 Hz

The all cases the Video Bandwidth shall be equal or greater than the measuring bandwidth.

## 8.5. SPURIOUS EMISSIONS (CONDUCTED)

With transmitter modulation characteristics described in Out-of-Band Emissions measurements @ 2.1049, the transmitter spurious and harmonic emissions were scanned. The spurious and harmonic emissions were measured with the EMI Receiver controls set as RBW = 30 KHz minimum , VBW  $\geq$  RBW and SWEEP TIME = AUTO). The transmitter was operated at a full rated power output, and modulated as follows:

**FCC 47 CFR 2.1057 - Frequency spectrum to be investigated:** The spectrum was investigated from the lowest radio generated in the equipment up to at least the 10<sup>th</sup> harmonic of the carrier frequency or to the highest frequency practicable in the present state of the art of measuring techniques, whichever is lower. Particular attention should be paid to harmonics and subharmonics of the carrier frequency. Radiation at the frequencies of multiplier stages should be checked. The amplitude of spurious emissions which are attenuated more than 20 dB below the permissible value need not be reported.

**FCC 47 CFR 2.1051 - Spurious Emissions at Antenna Terminal:** The radio frequency voltage or powers generated within the equipment and appearing on a spurious frequency shall be checked at the equipment output terminals when properly loaded with a suitable artificial antenna. Curves or equivalent data shall show the magnitude of the harmonic and other spurious emission that can be detected when the equipment is operated under the conditions specified in 2.1049 as appropriate. The magnitude of spurious emissions, which are attenuated more than 20 dB below the permissible value, need not be specified.

## 8.6. TRANSIENT FREQUENCY BEHAVIOR

1. Connect the transmitter under tests as shown in the above block diagram
2. Set the signal generator to the assigned frequency and modulate with a 1 KHz tone at  $\pm 12.5$  KHz deviation and its output level to be 50 dB below the transmitter rf output at the test receiver end.
3. Set the horizontal sweep rate on the storage scope to 10 milliseconds per division and adjust the display to continuously view the 1000 Hz tone from the Demodulator Output Port (DOP) of the Test Receiver. Adjust the vertical scale amplitude control of the scope to display the 1000 Hz at  $\pm 4$  divisions vertical Center at the display.
4. Adjust the scope so it will trigger on an increasing magnitude from the RF trigger signal of the transmitter under test when the transmitter was turned on. Set the controls to store the display.
5. The output at the DOP, due to the change in the ratio of the power between the signal generator input power and transmitter output power will, because of the capture effect of the test receiver, produce a change in display: For the first part of the sweep it will show the 1 KHz test signal. Then once the receiver's demodulator has been captured by the transmitter power, the display will show the frequency difference from the assigned frequency to the actual transmitter frequency versus time. The instant when the 1 KHz test signal is completely suppressed (including any capture time due to phasing) is considered to be  $t_{on}$ . The trace should be maintained within the allowed divisions during the period  $t_1$  and  $t_2$ .
6. During the time from the end of  $t_2$  to the beginning of  $t_3$  the frequency difference should not exceed the limits set by the FCC in Part 90.214 and the outlined in the Carrier Frequency Stability sections. The allowed limit is equal to FCC frequency tolerance limits specified in FCC 90.213.
7. Repeat the above steps when the transmitter was turned off for measuring  $t_3$ .