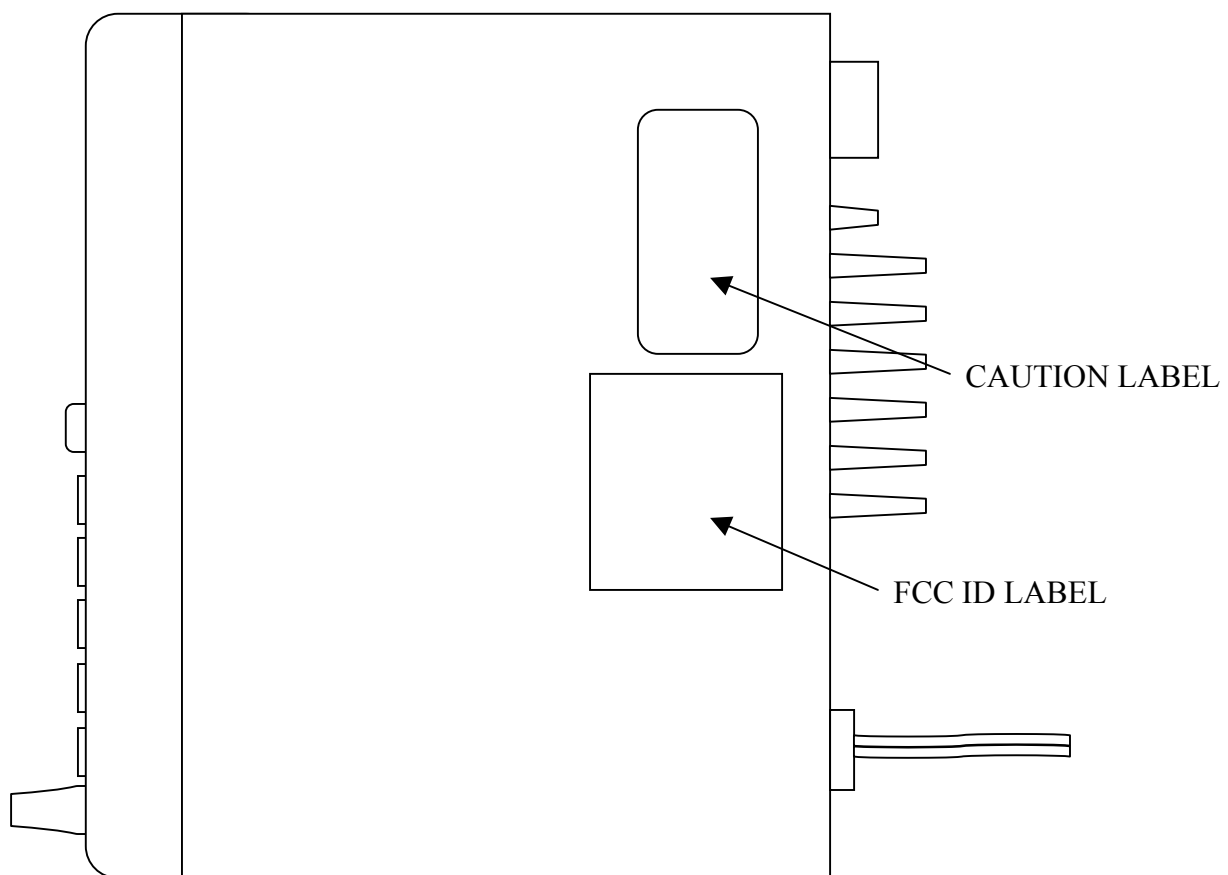


IC-F6061



ICOM

IC-F6061

FCC ID:AFJ298001

Icom Inc. **MADE IN JAPAN**

IC: 202D-298001

SERIAL NO.

This device complies with Part 15 of the FCC Rules. Operation is subject to the condition that this device does not cause harmful interference.